



US00D926699S

(12) **United States Design Patent**  
**Yi**

(10) **Patent No.:** **US D926,699 S**

(45) **Date of Patent:** **\*\* Aug. 3, 2021**

(54) **TERMINAL WIRE CONNECTION PLUG**

(71) Applicant: **Jinyun Reypu Electronic Technology Co., Ltd., Lishui (CN)**

(72) Inventor: **Dongdong Yi, Lishui (CN)**

(73) Assignee: **Jinyun Reypu Electronic Technology Co., Ltd., Jinyun (CN)**

(\*\*) Term: **15 Years**

(21) Appl. No.: **29/728,225**

(22) Filed: **Mar. 17, 2020**

(51) **LOC (13) Cl.** ..... **13-03**

(52) **U.S. Cl.**  
USPC ..... **D13/146**

(58) **Field of Classification Search**  
USPC ..... D13/101, 103, 107, 108, 110, 118, 119,  
D13/120, 133, 137.1, 138.1, 138.2, 146,  
D13/147, 151, 184, 199  
CPC ..... H01R 13/52; H01R 13/56; H01R 13/405;  
H01R 13/5202; H01R 13/5227; H01R  
13/6272; H02J 7/00; H02J 7/0045; H02J  
7/0052; Y02T 90/14; Y02T 10/7072;  
B60L 11/182; B60L 11/1818  
See application file for complete search history.

(56) **References Cited**

**U.S. PATENT DOCUMENTS**

D634,709 S \* 3/2011 Ichio ..... D13/119  
D667,379 S \* 9/2012 Fukushima ..... D13/146

D669,033 S \* 10/2012 Senk ..... D13/146  
D702,641 S \* 4/2014 Ichio ..... D13/146  
D706,213 S \* 6/2014 Titus ..... D13/107  
D768,082 S \* 10/2016 Chuang ..... D13/146  
D795,193 S \* 8/2017 Huang ..... D13/133  
D837,157 S \* 1/2019 Boone ..... D13/133  
2012/0202365 A1 \* 8/2012 Ichio ..... B60L 53/16  
439/131  
2014/0106586 A1 \* 4/2014 Boeck ..... H01R 13/70  
439/188  
2017/0036556 A1 \* 2/2017 Tomiyama ..... H01R 13/5845

\* cited by examiner

*Primary Examiner* — Derrick E Holland

(74) *Attorney, Agent, or Firm* — Schwegman Lundberg & Woessner, P.A.

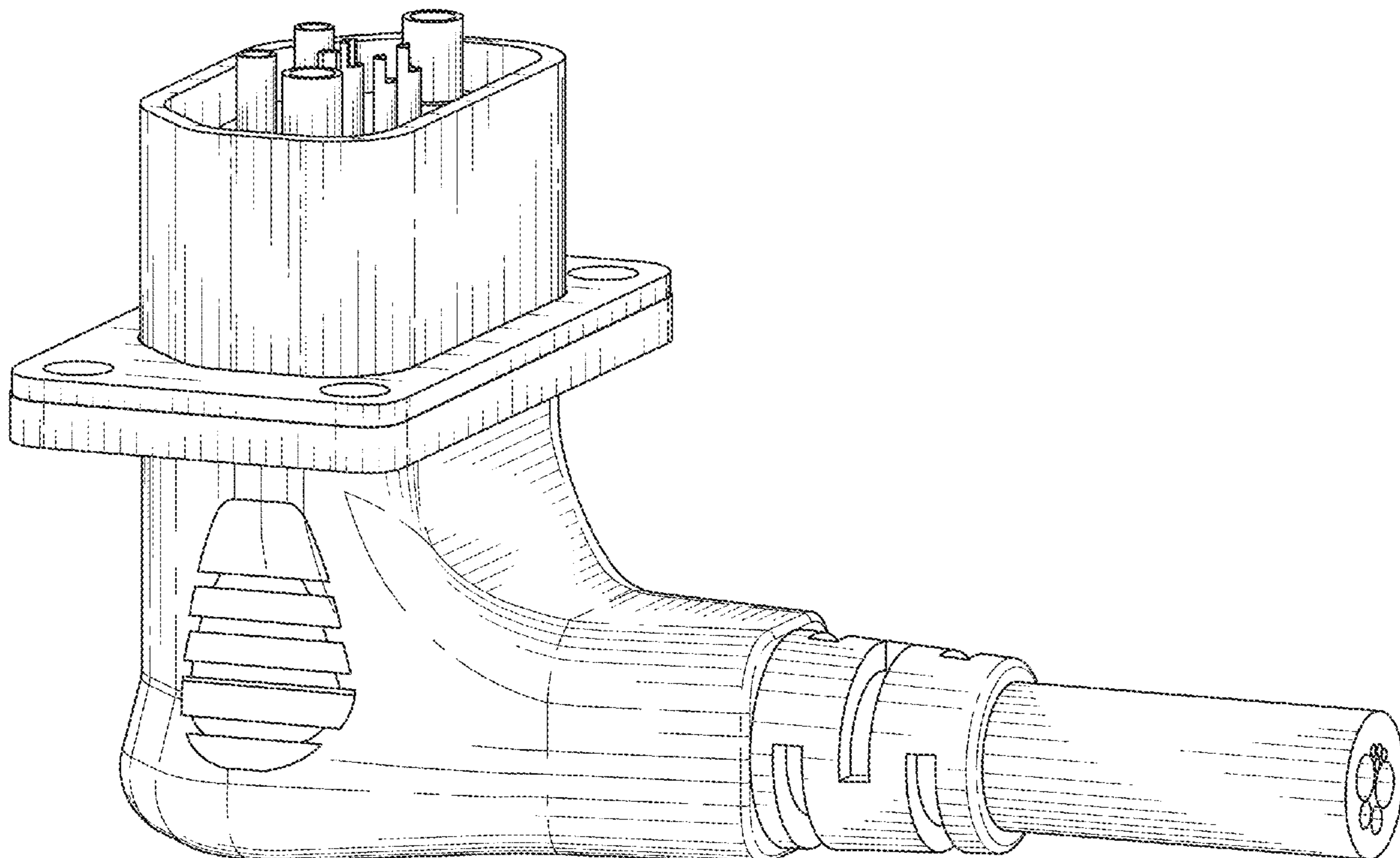
(57) **CLAIM**

The ornamental design for a terminal wire connection plug, as shown and described.

**DESCRIPTION**

FIG. 1 is a perspective view of a terminal wire connection plug showing my new design; FIG. 2 is a front view thereof; FIG. 3 is a rear view thereof; FIG. 4 is a left view thereof; FIG. 5 is a right view thereof; FIG. 6 is a top view thereof; and, FIG. 7 is a bottom view thereof.

**1 Claim, 7 Drawing Sheets**



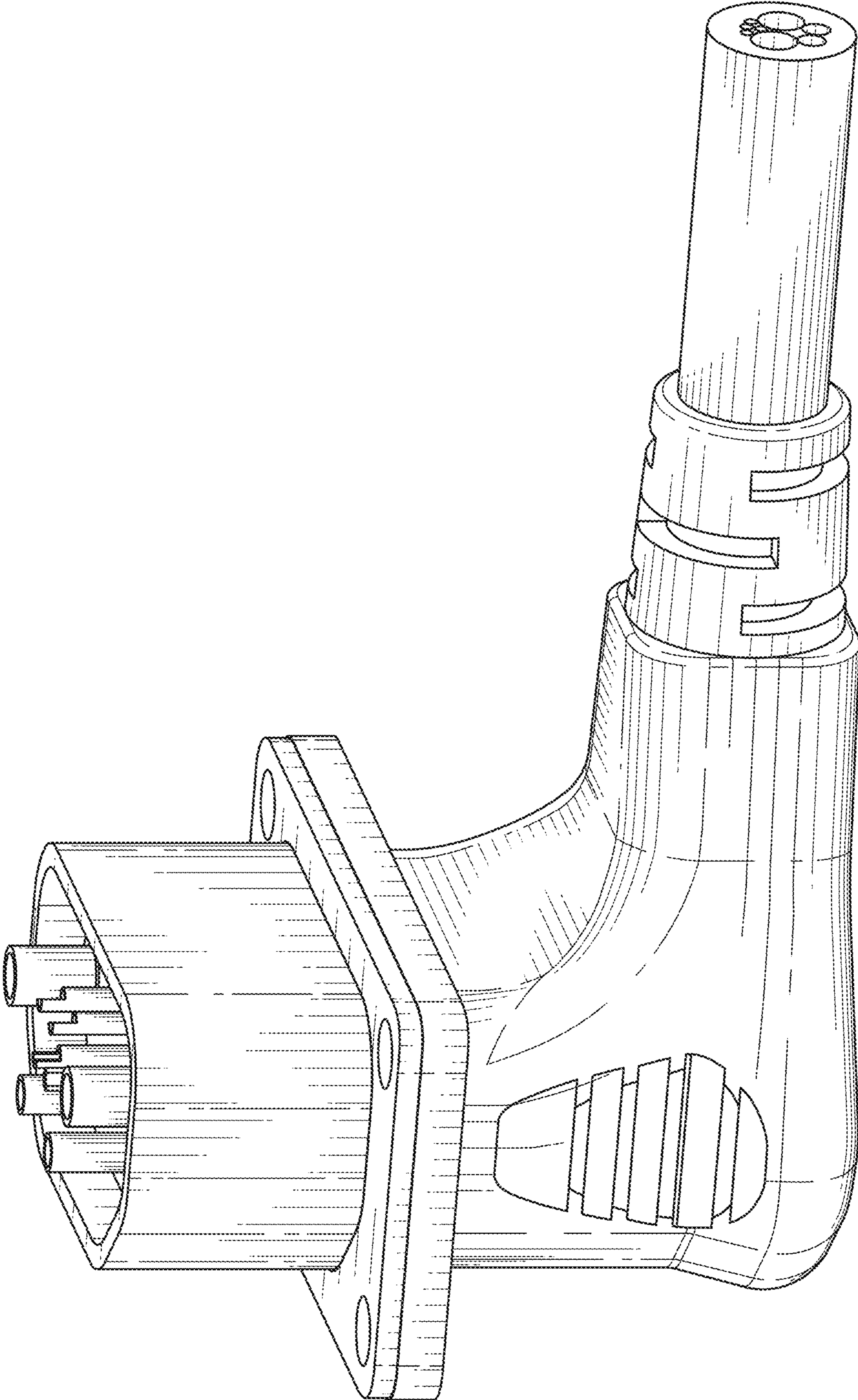


FIG. 1

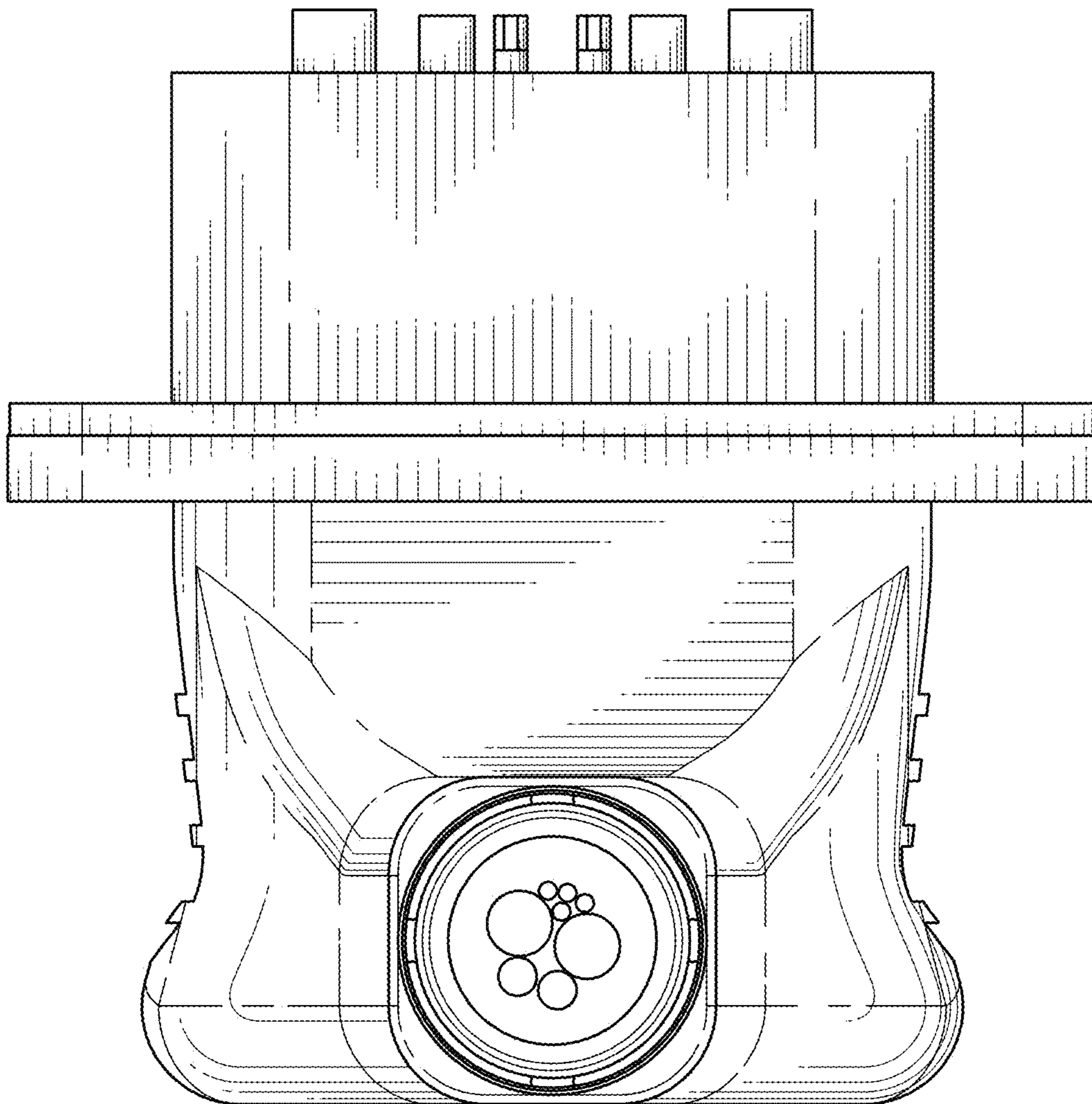


FIG. 2

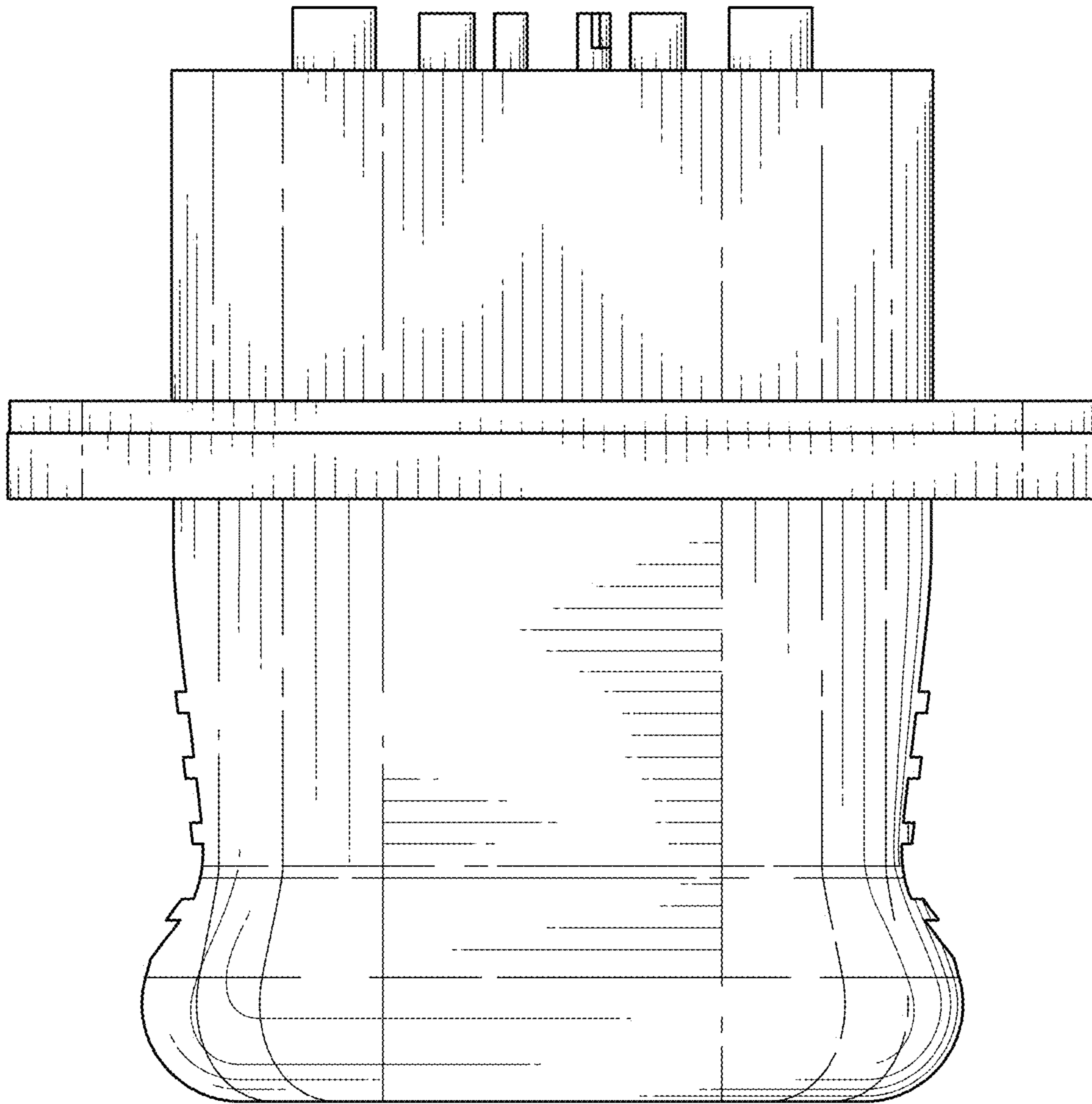


FIG. 3

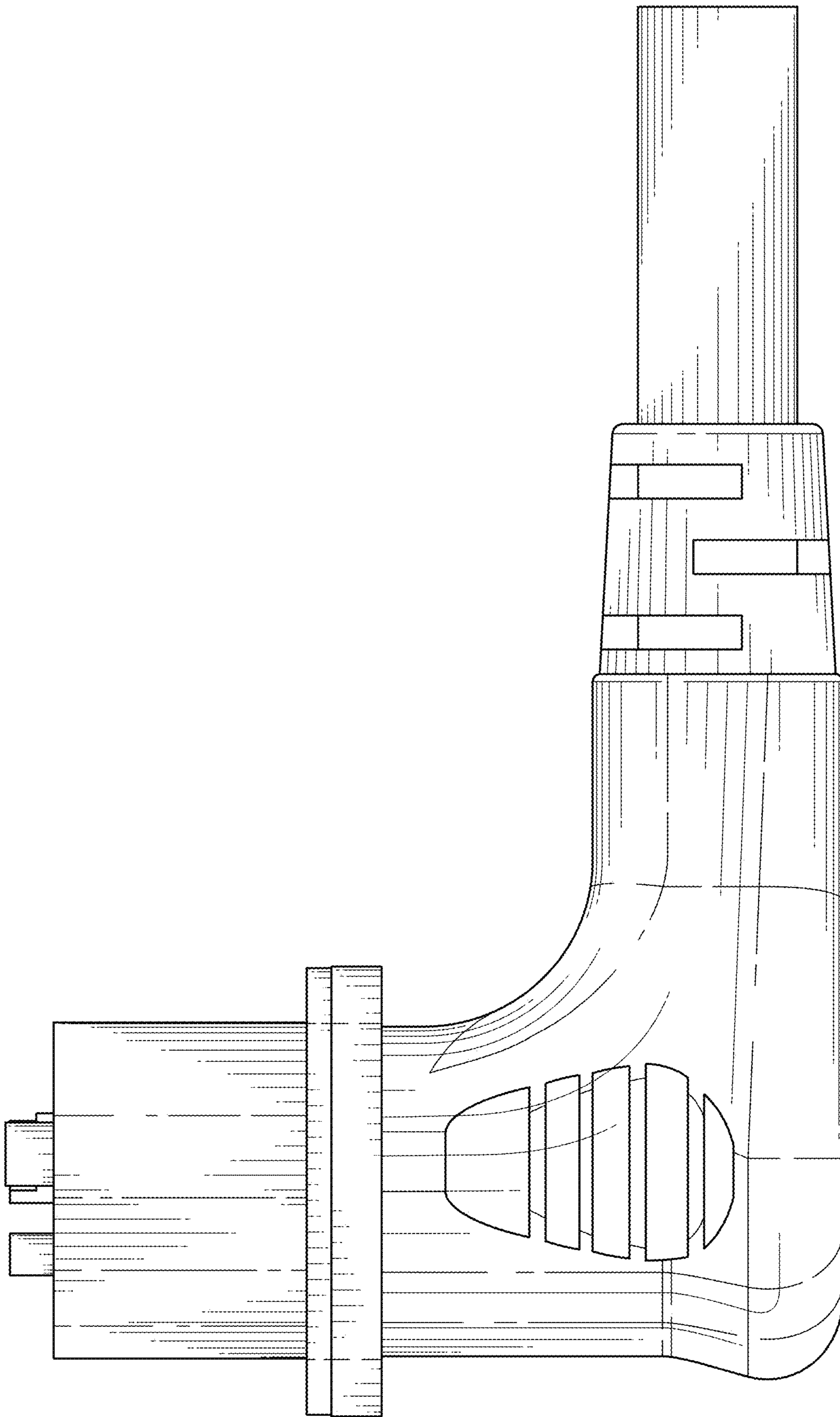


FIG. 4

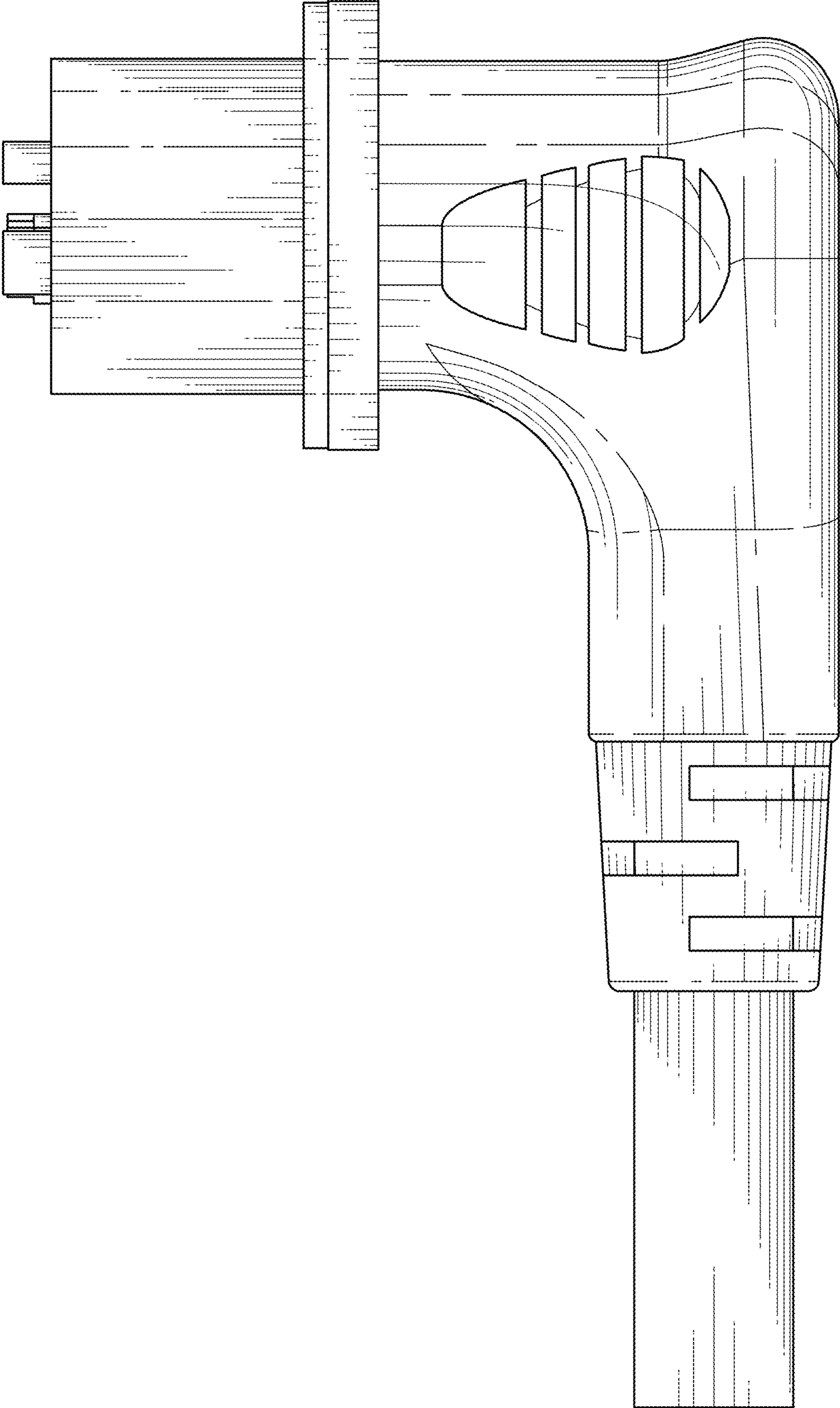


FIG. 5

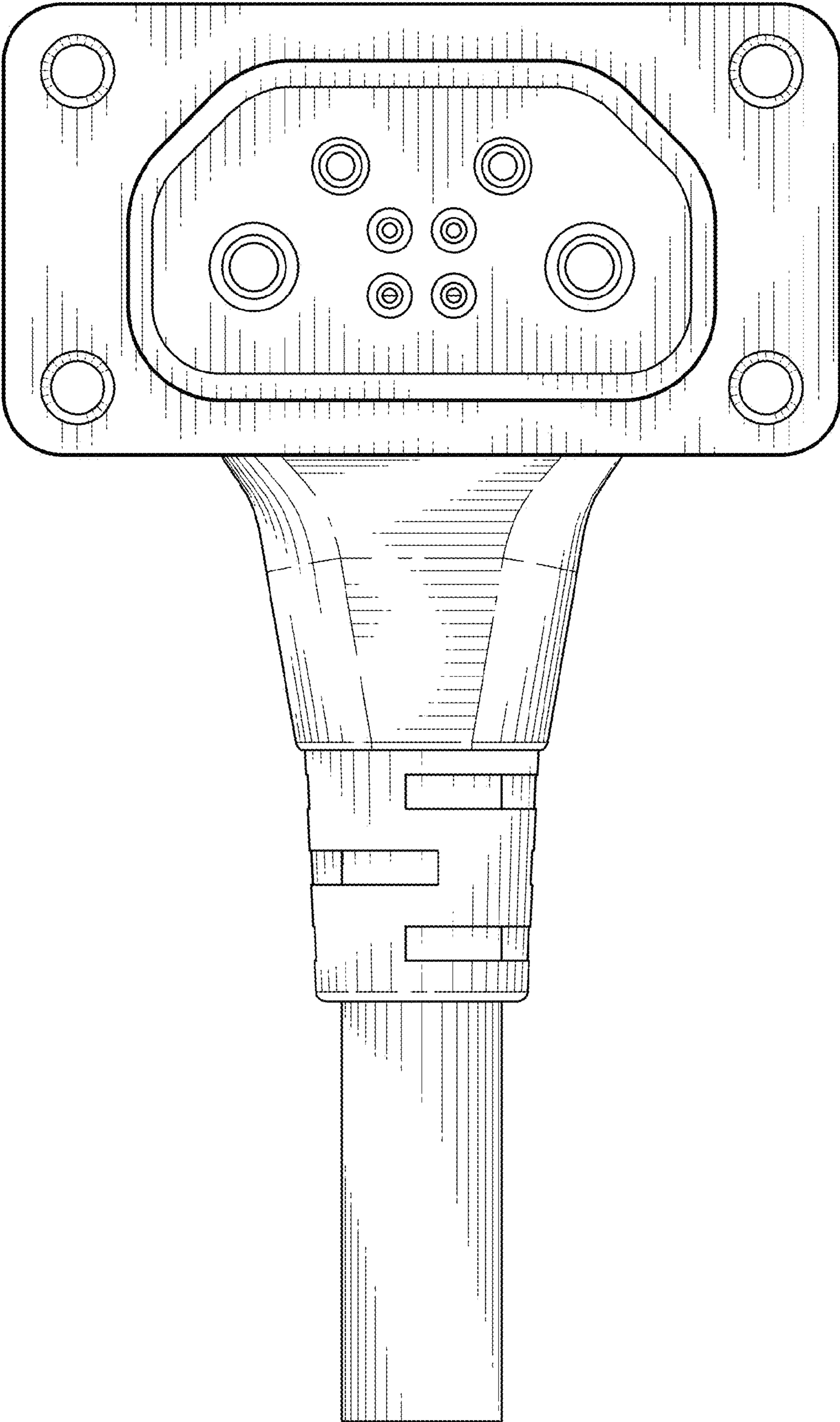


FIG. 6

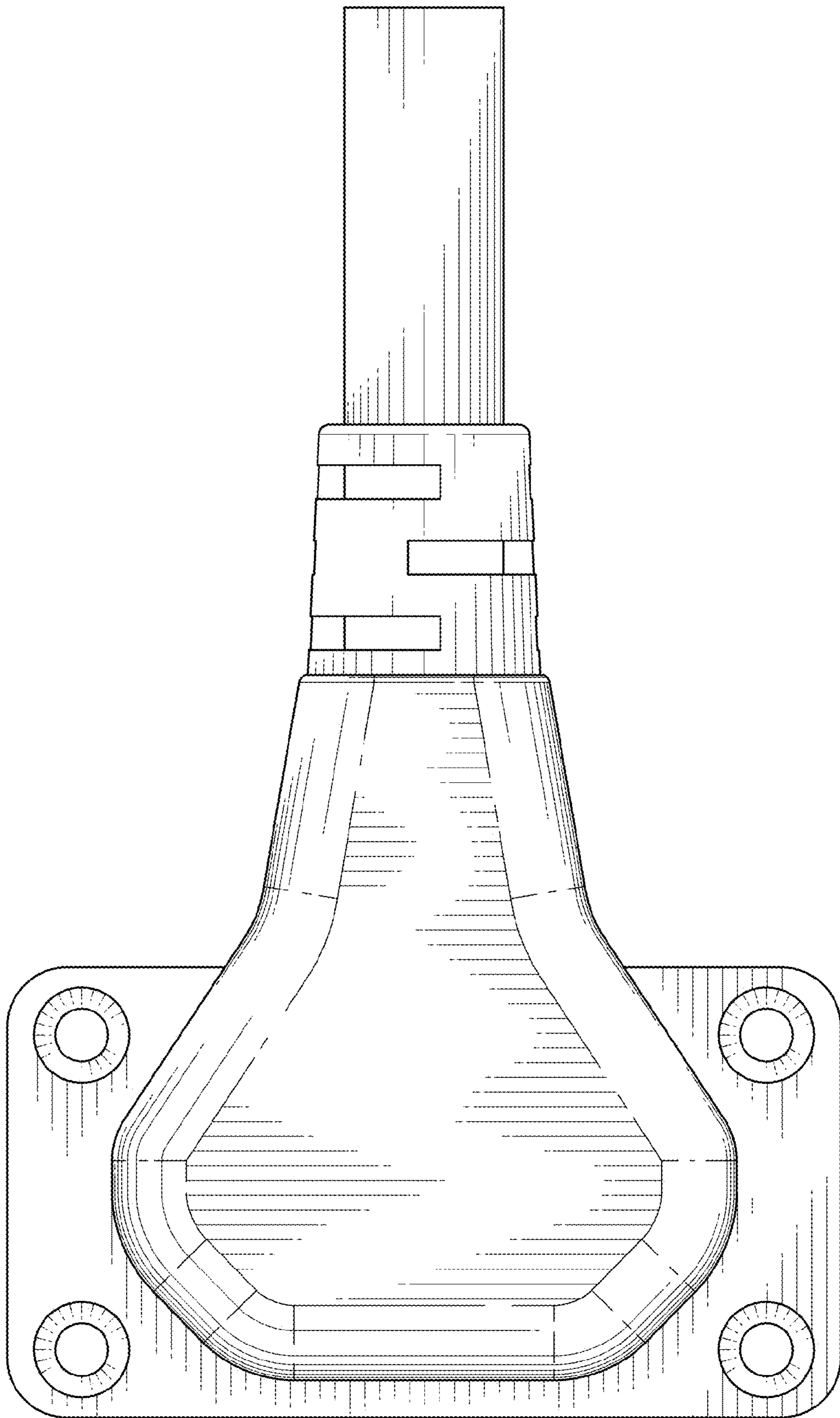


FIG. 7