



US00D926698S

(12) **United States Design Patent** (10) **Patent No.:** **US D926,698 S**  
**Yu** (45) **Date of Patent:** **\*\* Aug. 3, 2021**

(54) **ELECTRICAL PLUG**

(71) Applicant: **NINGBO WELL ELECTRIC APPLIANCE CO., LTD.**, Ningbo (CN)

(72) Inventor: **Guolin Yu**, Ningbo (CN)

(73) Assignee: **NINGBO WELL ELECTRIC APPLIANCE CO., LTD.**, Ningbo (CN)

(\*\*) Term: **15 Years**

(21) Appl. No.: **29/695,851**

(22) Filed: **Jun. 22, 2019**

(30) **Foreign Application Priority Data**

Jun. 18, 2019 (CN) ..... 201930315496.5

(51) **LOC (13) Cl.** ..... **13-03**

(52) **U.S. Cl.**  
USPC ..... **D13/138.2; D13/138.1**

(58) **Field of Classification Search**  
USPC ..... D13/137.1–137.4, 138.1, 138.2, 139.7, D13/139.8, 146, 147; D14/432, 433  
CPC .. H01R 13/639; H01R 13/6392; H01R 13/64; H01R 13/642; H01R 13/648; H01R 13/652; H01R 13/6666; H01R 13/6683; H01R 13/68; H01R 13/713; H01R 24/20; H01R 24/22; H01R 24/28; H01R 24/30; H01R 2103/00; H01H 2207/022; H05K 5/0247

See application file for complete search history.

(56) **References Cited**

**U.S. PATENT DOCUMENTS**

D402,962 S \* 12/1998 Hedrick ..... D13/138.2  
D819,571 S \* 6/2018 Eshelman ..... D13/138.2  
D824,855 S \* 8/2018 Eshelman ..... D13/137.2

**OTHER PUBLICATIONS**

6FT 3 Outlet 3 Prong Power Extension Cord. Ebay. Posting date: Mar. 27, 2019. Retrieval date: Feb. 23, 2021. Retrieved from internet: <https://www.ebay.com/itm/6FT-3-Outlet-3-Prong-Power-Extension-Cord-Cable-Flat-Angle-Plug-16-3-Grounded-/123677951391> (Year: 2019).\*

8 Feet Heavy Duty Extension Cord/Wire by Electes. Amazon. Oldest review date: Nov. 25, 2018. Retrieval date: Apr. 28, 2021. Retrieved from internet: <https://www.amazon.com/Electes-Extension-Outlet-Grounded-Angled/dp/B07KC6M5P4> (Year: 2018).\*

\* cited by examiner

*Primary Examiner* — Lilyana Bekic

*Assistant Examiner* — Lee D. Starr

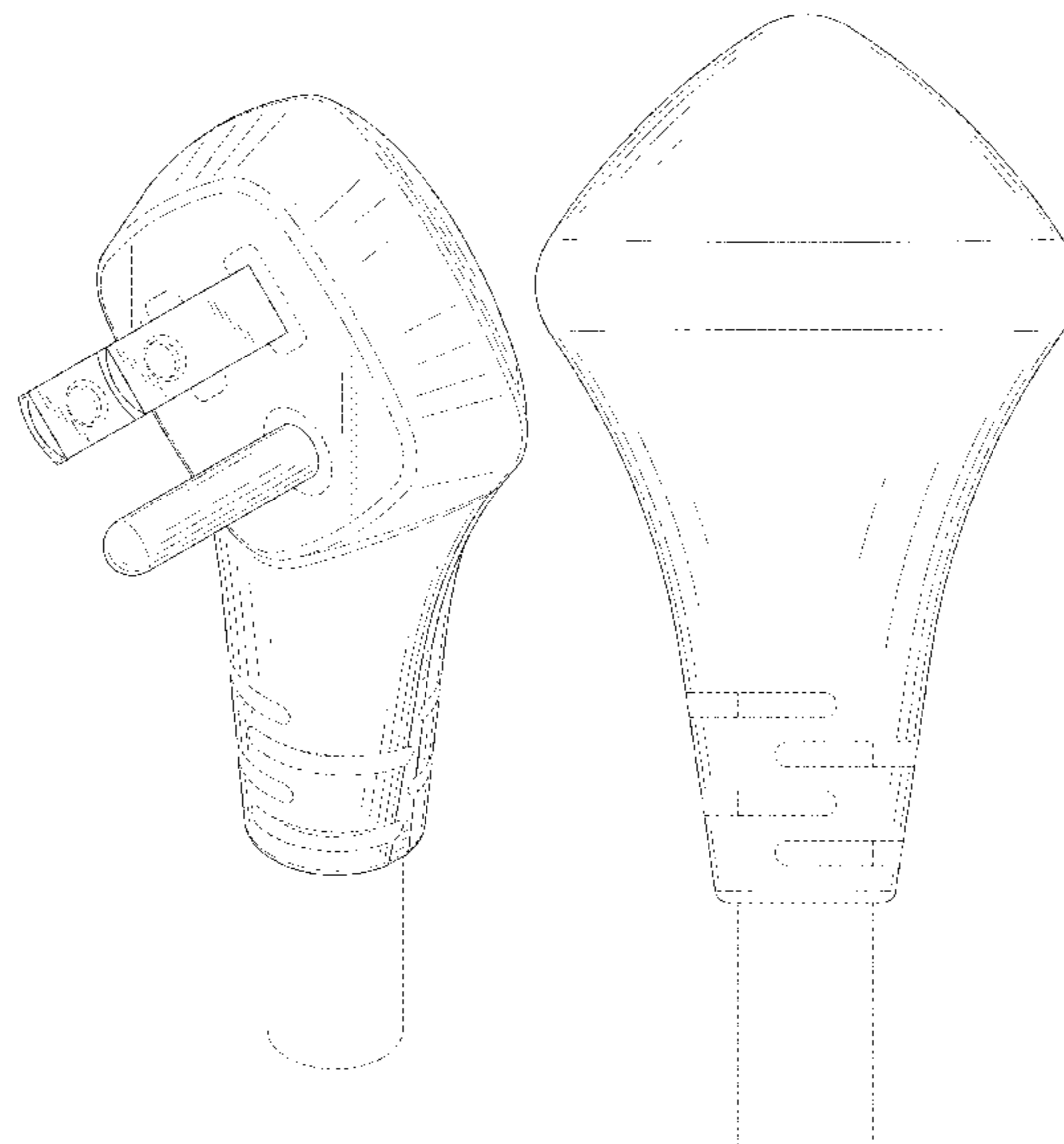
(57) **CLAIM**

The ornamental design for an electrical plug, as shown and described.

**DESCRIPTION**

FIG. 1 is a right, front, top perspective view of an electrical plug showing my new design;  
FIG. 2 is a left, rear, bottom perspective view thereof;  
FIG. 3 is a front elevational view thereof;  
FIG. 4 is a rear elevational view thereof;  
FIG. 5 is a left side elevational view thereof;  
FIG. 6 is a right side elevational view thereof;  
FIG. 7 is a top plan view thereof; and,  
FIG. 8 is a bottom plan view thereof.  
In the drawings, the broken lines illustrate portions of the electrical plug that form no part of the claimed design.

**1 Claim, 8 Drawing Sheets**



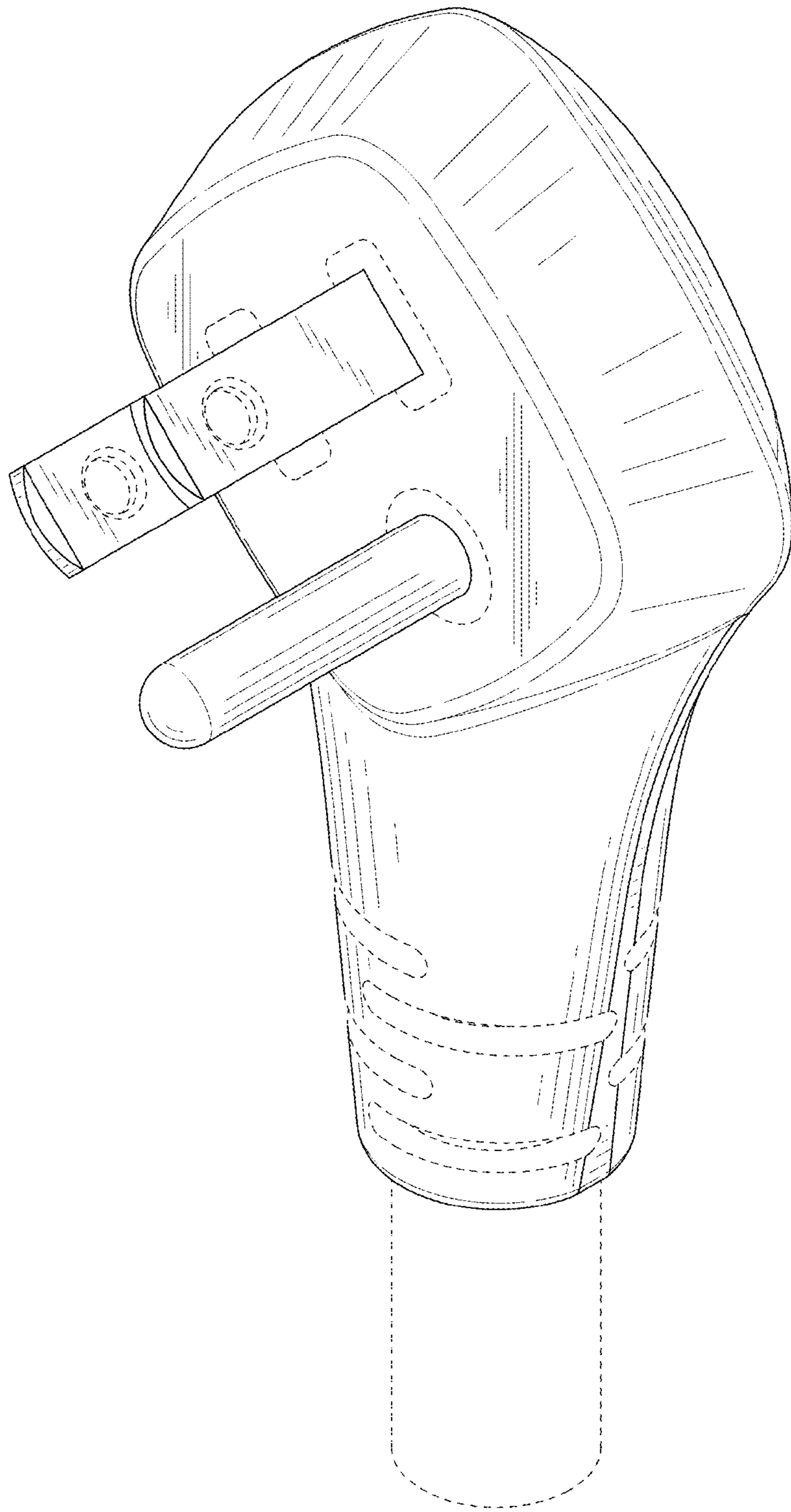


FIG. 1

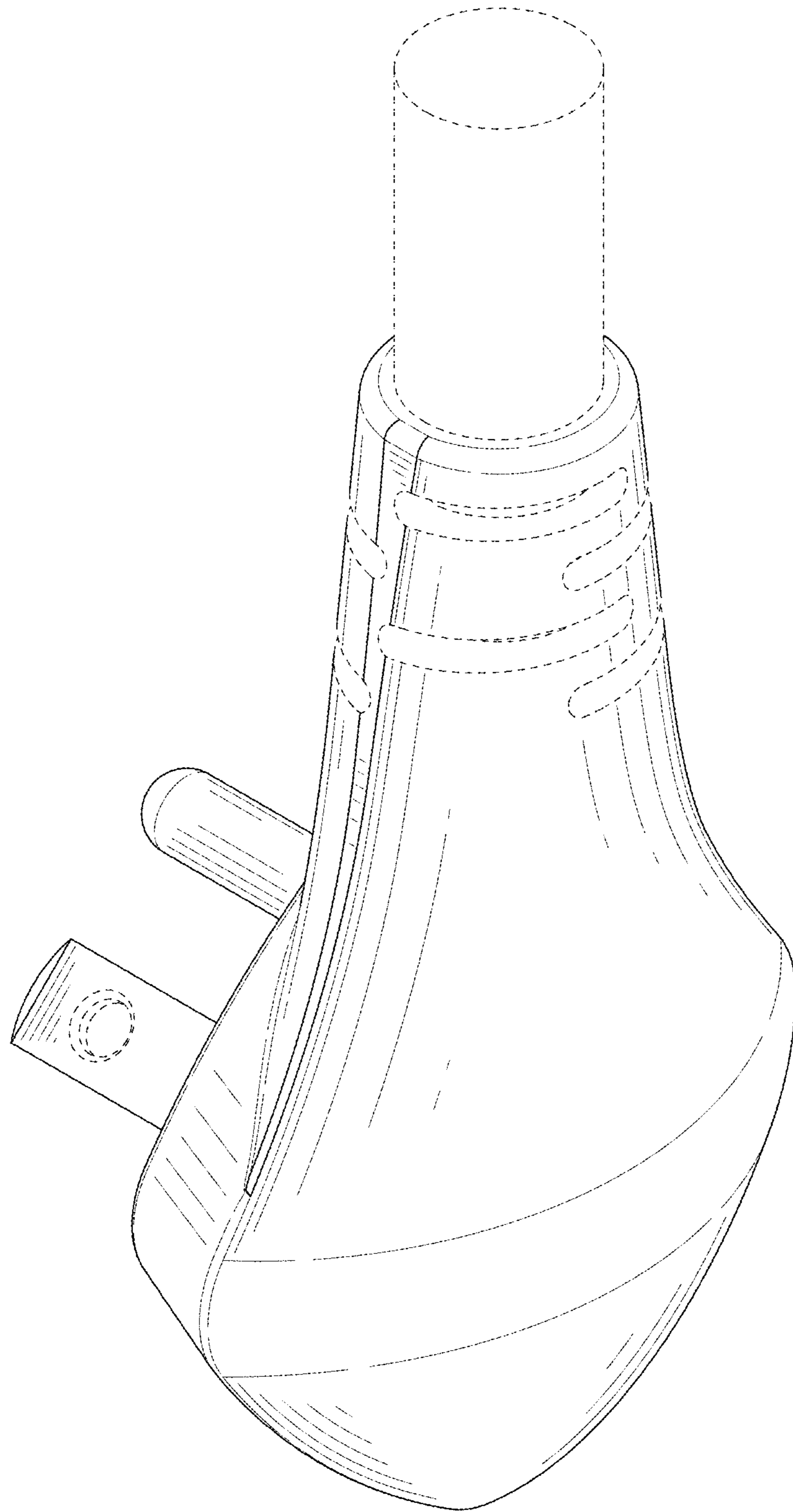


FIG. 2

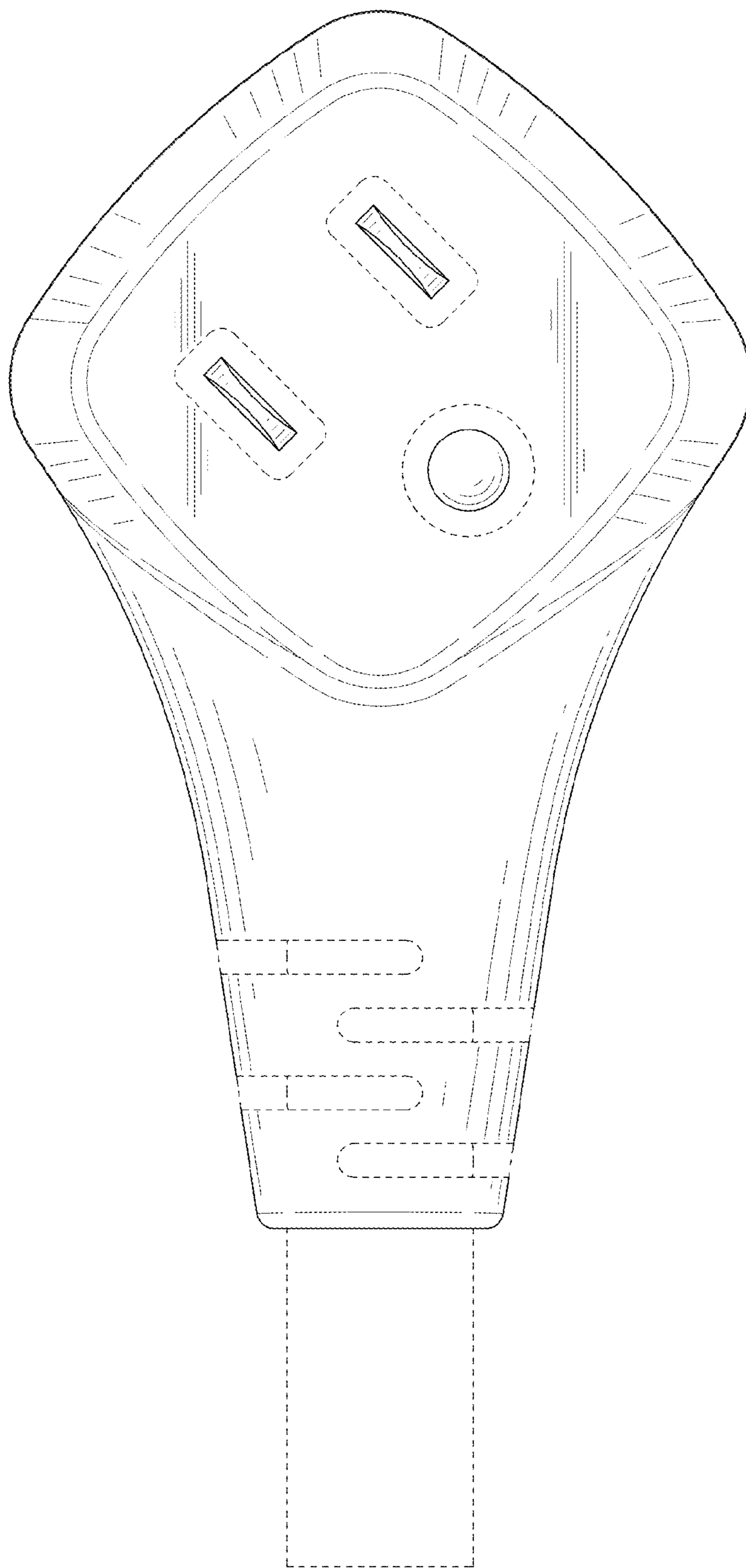


FIG. 3

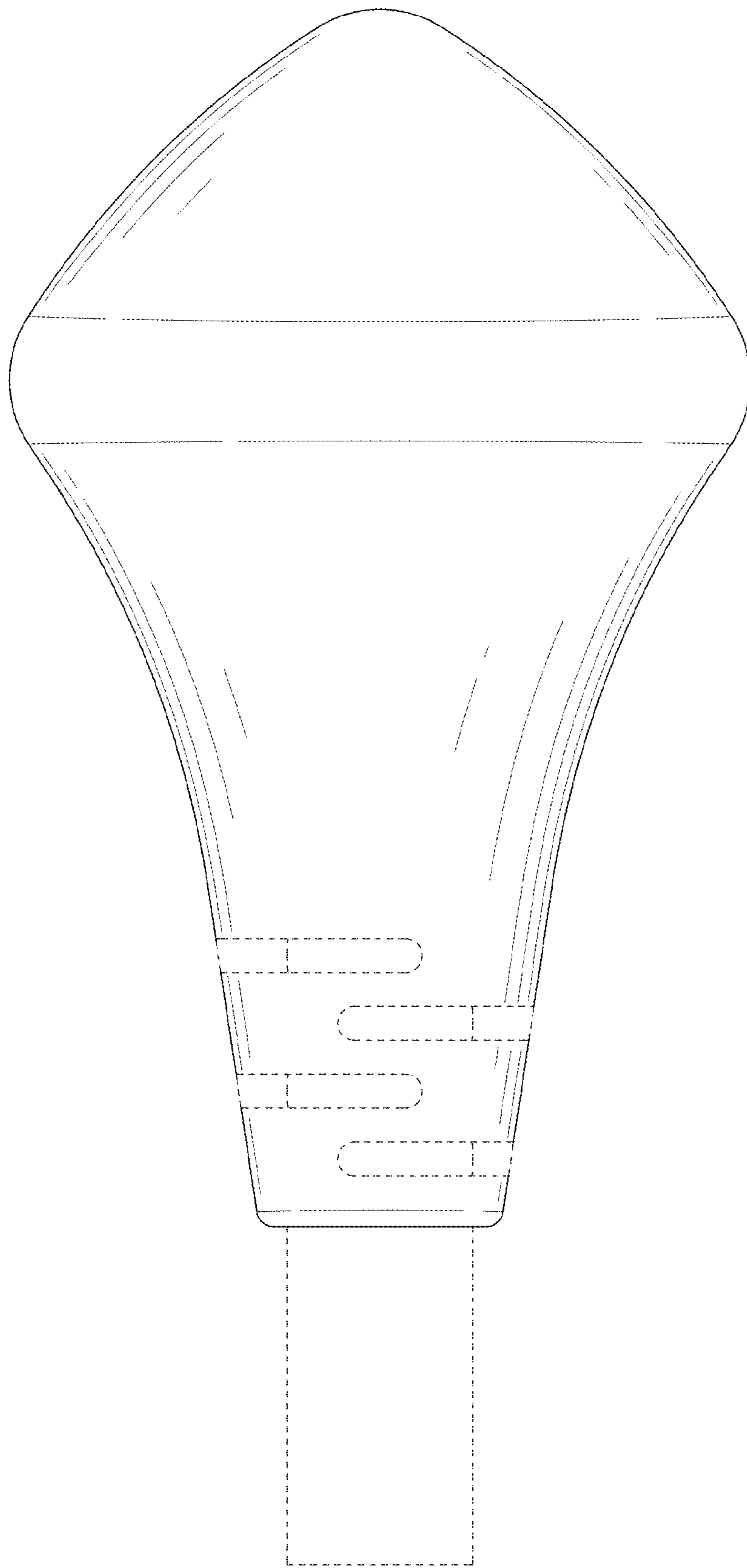


FIG. 4

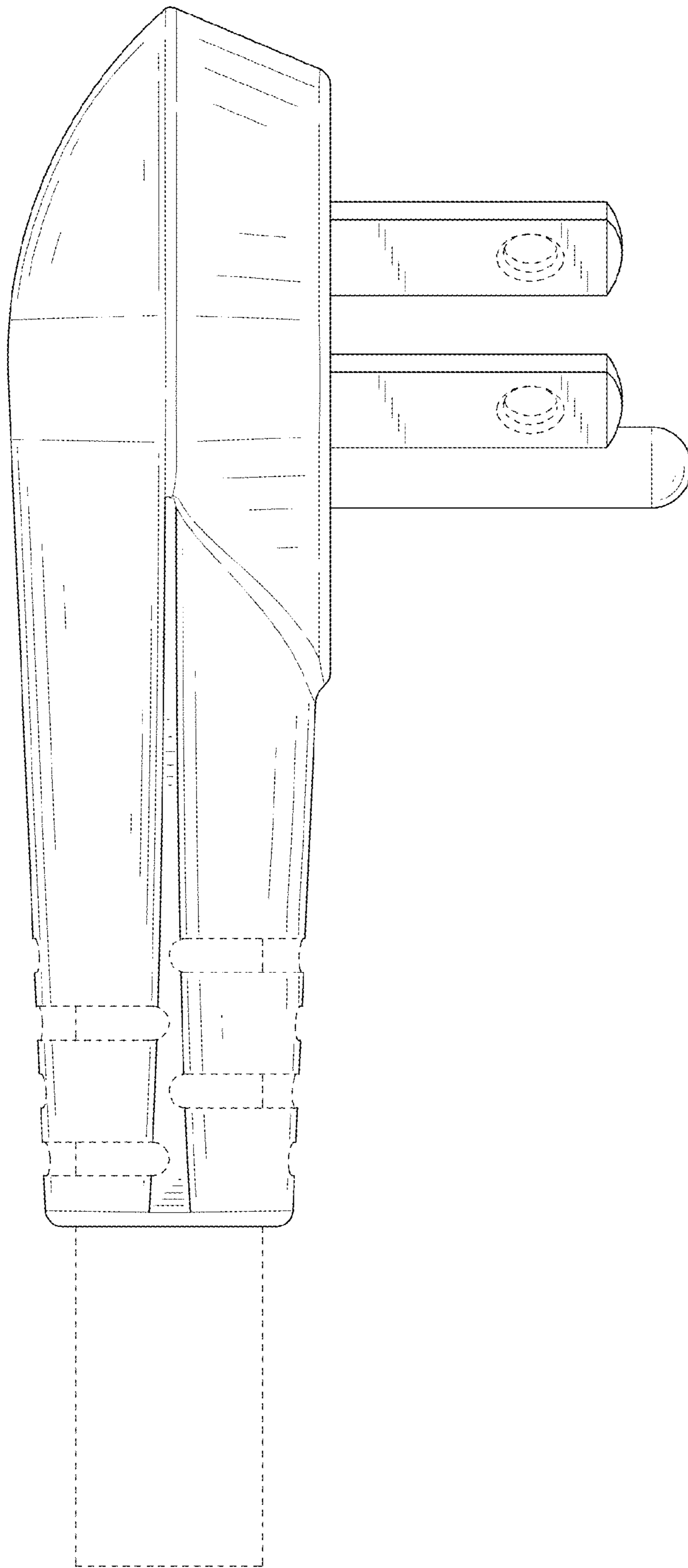


FIG. 5

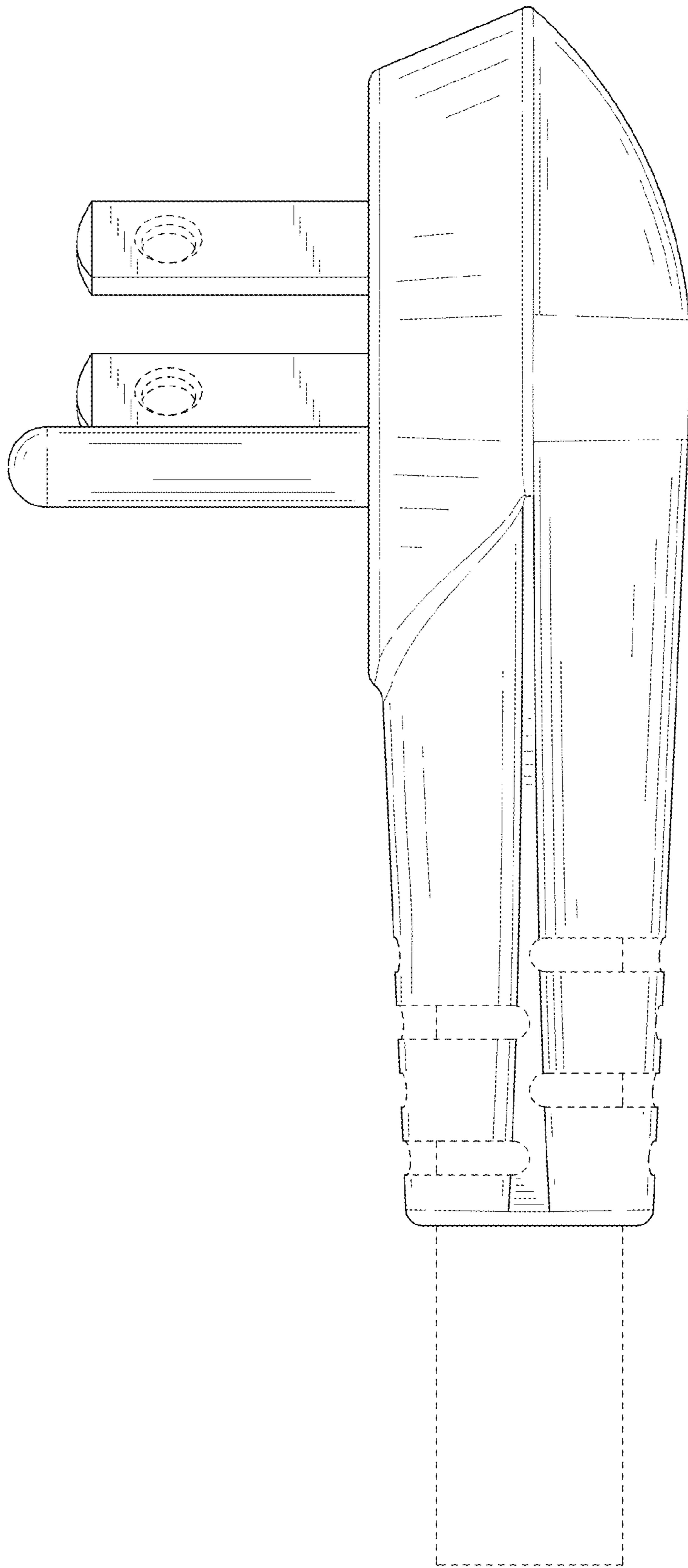


FIG. 6

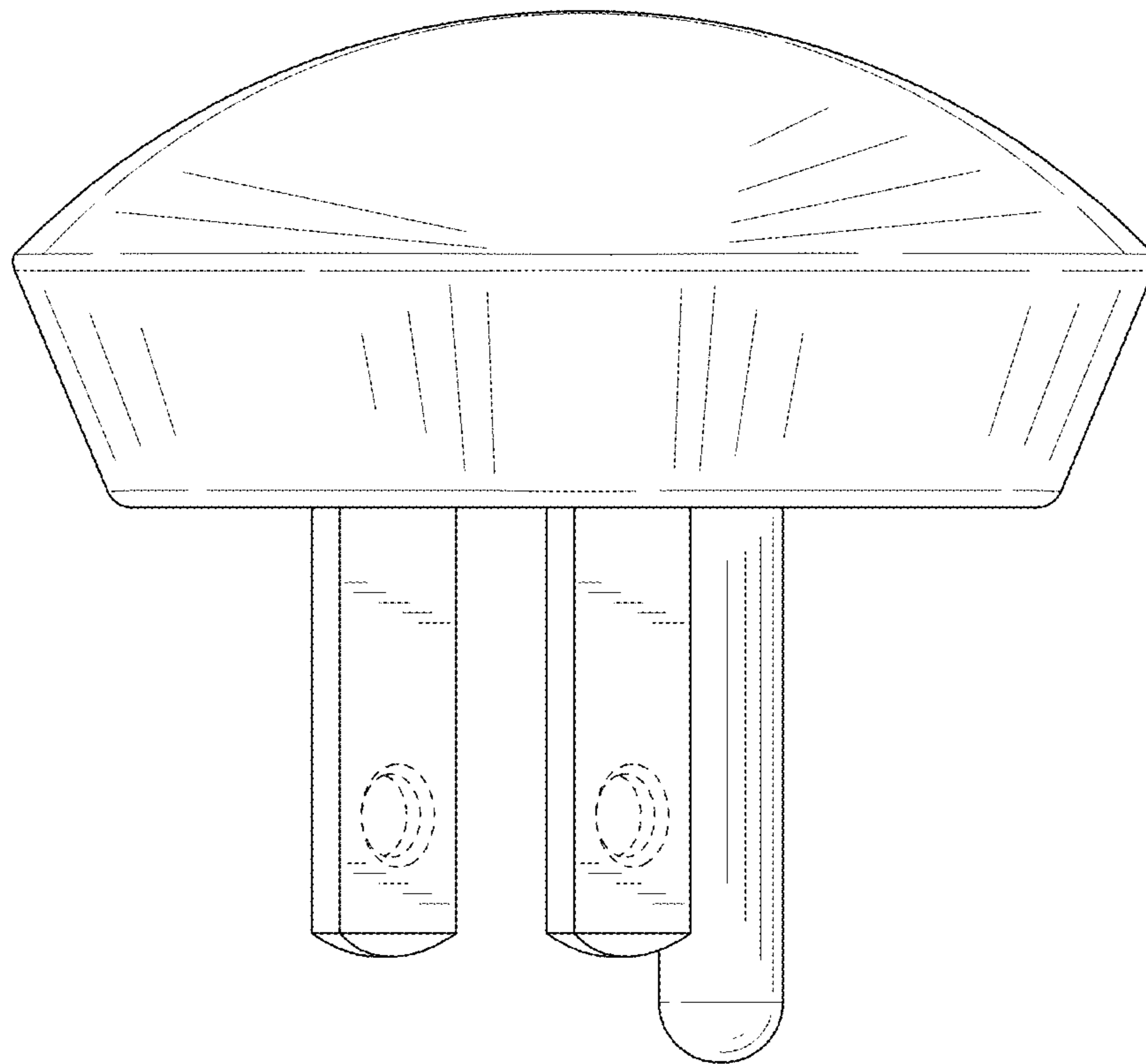


FIG. 7



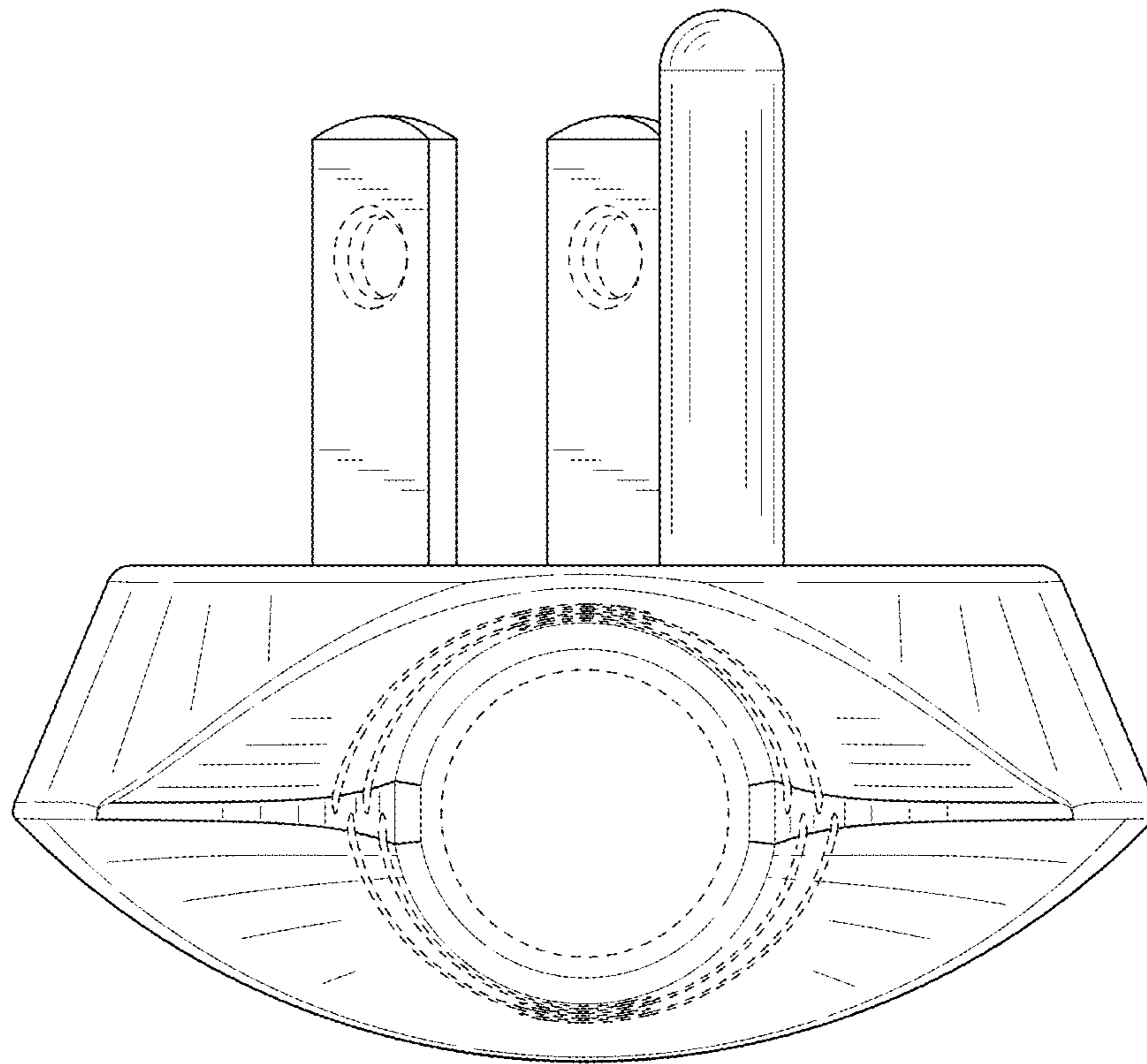


FIG. 8