



US00D926697S

(12) **United States Design Patent** (10) **Patent No.:** **US D926,697 S**  
**Yu** (45) **Date of Patent:** **\*\* Aug. 3, 2021**

(54) **PLUG ADAPTER**

(71) Applicant: **Yefeng Yu**, Hu'nan (CN)

(72) Inventor: **Yefeng Yu**, Hu'nan (CN)

(\*\*) Term: **15 Years**

(21) Appl. No.: **29/676,647**

(22) Filed: **Jan. 13, 2019**

(51) **LOC (13) Cl.** ..... **13-03**

(52) **U.S. Cl.**  
USPC ..... **D13/137.2**

(58) **Field of Classification Search**  
USPC ..... D13/107, 108, 110, 133, 137.1, 137.2,  
D13/137.3, 137.4, 138.1, 138.2, 139.1,  
D13/139.2, 139.3, 139.4, 139.6, 139.7,  
D13/139.8, 146, 154, 156, 158, 177, 184,  
D13/199; D14/432, 433  
CPC ..... H01R 13/46; H01R 24/76; H01R 13/44  
See application file for complete search history.

(56) **References Cited**

**U.S. PATENT DOCUMENTS**

D653,208 S *	1/2012	Au	.....	D13/108
D755,127 S *	5/2016	Wong	.....	D13/137.2
D788,709 S *	6/2017	Yeo	.....	D13/137.2
D834,516 S *	11/2018	Jin	.....	D13/108
D851,598 S *	6/2019	Liang	.....	D13/139.7
D858,447 S *	9/2019	Chen	.....	D13/137.2
D867,295 S *	11/2019	Shaopeng	.....	D13/137.2
D871,342 S *	12/2019	Liu	.....	D13/137.2
D874,423 S *	2/2020	Wu	.....	D14/168
2010/0311261 A1 *	12/2010	Lee	.....	H01R 27/00 439/223
2013/0183847 A1 *	7/2013	Zhang	.....	H01R 13/6395 439/350
2015/0280373 A1 *	10/2015	Furukawa	.....	H01R 24/44 439/578
2019/0341731 A1 *	11/2019	Barnett	.....	H01R 13/46

**OTHER PUBLICATIONS**

“VCT Plug Adapter”. Found online Jun. 10, 2020 at amazon.com. Reference dated Feb. 20, 2007. Retrieved from [https://www.amazon.com/VCT-VP18-Adapter-Converts-Grounded/dp/B000NND600/ref=pd\\_di\\_sccai\\_1/132-8872043-7311067](https://www.amazon.com/VCT-VP18-Adapter-Converts-Grounded/dp/B000NND600/ref=pd_di_sccai_1/132-8872043-7311067). (Year: 2007).\*  
“GE Wall Tap”. Found online Jun. 10, 2020 at amazon.com. Reference dated Mar. 24, 2009. Retrieved from [https://www.amazon.com/GE-Polarized-Three-Outlet-Power-Ivory/dp/B001UE7SC8/ref=sr\\_1\\_1](https://www.amazon.com/GE-Polarized-Three-Outlet-Power-Ivory/dp/B001UE7SC8/ref=sr_1_1). (Year: 2009).\*

(Continued)

*Primary Examiner* — Catherine S Posthauer

*Assistant Examiner* — Amanda Christensen

(74) *Attorney, Agent, or Firm* — Justin Lampel

(57) **CLAIM**

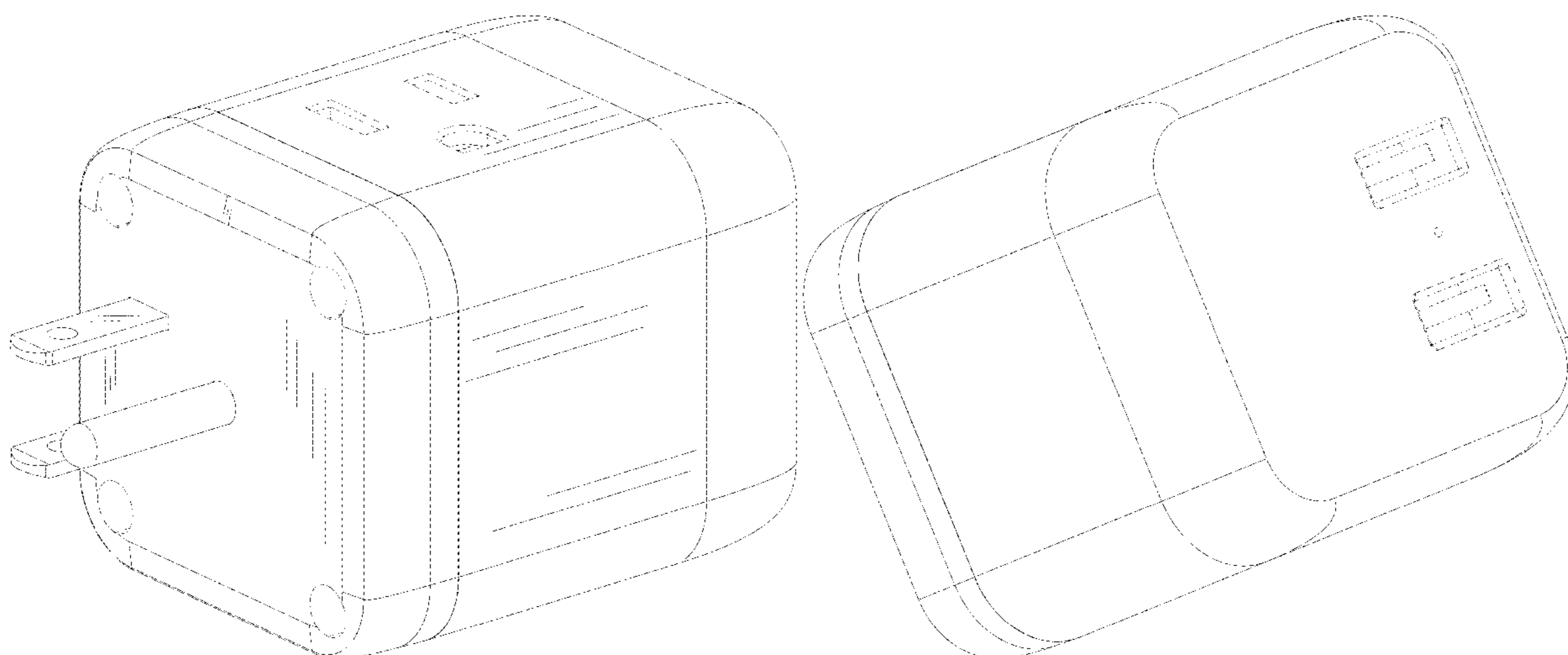
The ornamental design for a plug adapter, as shown and described.

**DESCRIPTION**

FIG. 1 is a front, top, right side perspective view of a plug adapter, showing my new design;  
FIG. 2 is a rear, right side perspective view thereof;  
FIG. 3 is a top plan view of the plug adapter of FIG. 1, shown enlarged for clarity of disclosure;  
FIG. 4 is a rear elevation view thereof;  
FIG. 5 is a bottom plan view thereof;  
FIG. 6 is a right side elevation view of the plug adapter of FIG. 1;  
FIG. 7 is a front elevation view of the plug adapter of FIG. 1, shown enlarged for clarity of disclosure; and,  
FIG. 8 is a left side elevation view of the plug adapter of FIG. 1.

The equal-length broken lines depict portions of the plug adapter that form no part of the claimed design. The dash-dot-dash lines define the boundaries of the claim.

**1 Claim, 8 Drawing Sheets**



(56)

**References Cited**

OTHER PUBLICATIONS

“KENHAO Plug Power Adapter”. Found online Jun. 10, 2020 at amazon.com. Reference dated Nov. 30, 2017. Retrieved from [https://www.amazon.com/dp/B076NQM7GM/ref=sspa\\_dk\\_detail\\_2](https://www.amazon.com/dp/B076NQM7GM/ref=sspa_dk_detail_2). (Year: 2017).\*

“SublimeWare Travel Plug”. Found online Jun. 10, 2020 at amazon.com. Reference dated Nov. 30, 2016. Retrieved from [https://www.amazon.com/dp/B01N59M473/ref=sspa\\_dk\\_detail\\_0?th=1](https://www.amazon.com/dp/B01N59M473/ref=sspa_dk_detail_0?th=1). (Year: 2016).\*

\* cited by examiner

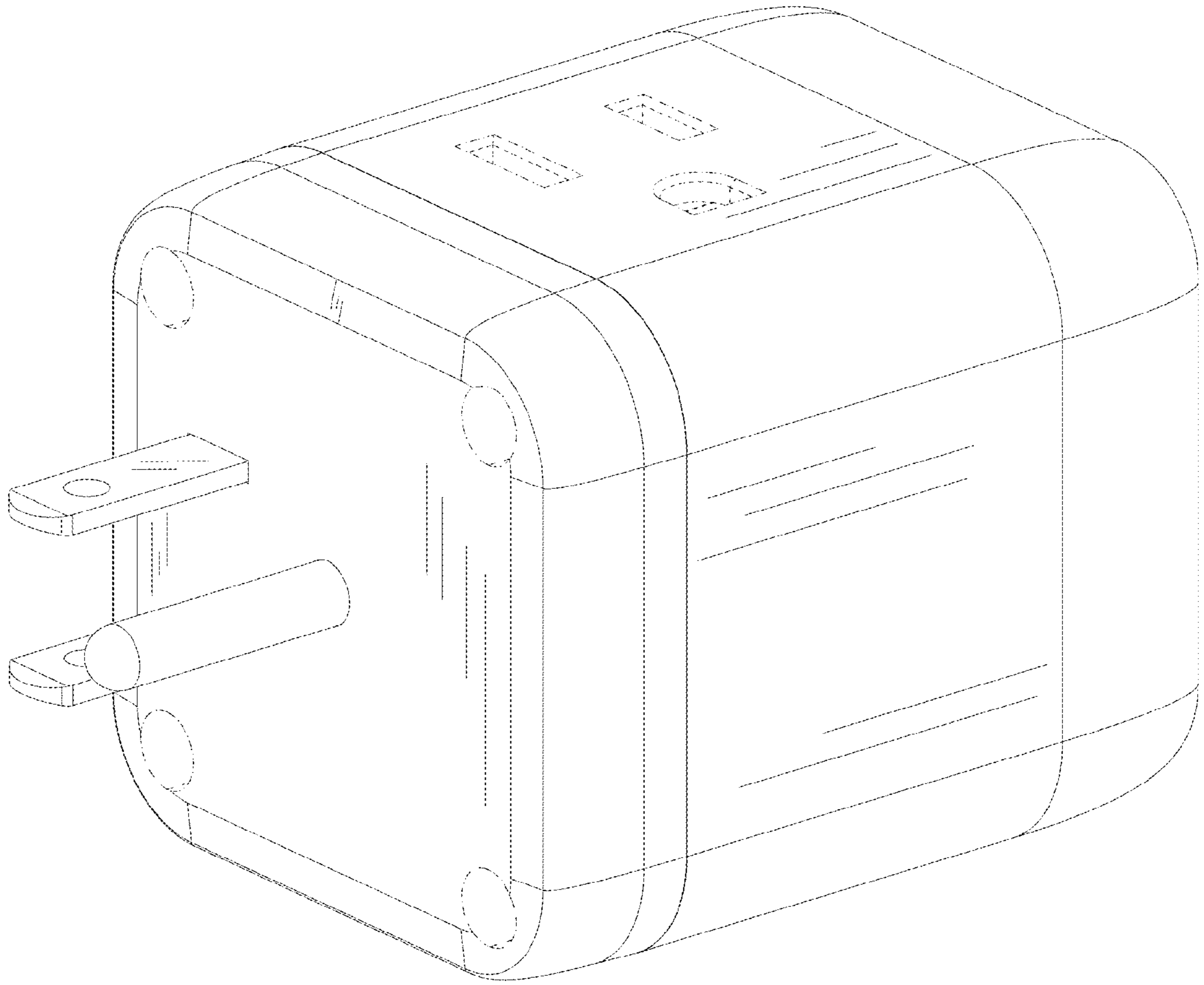


FIG.1

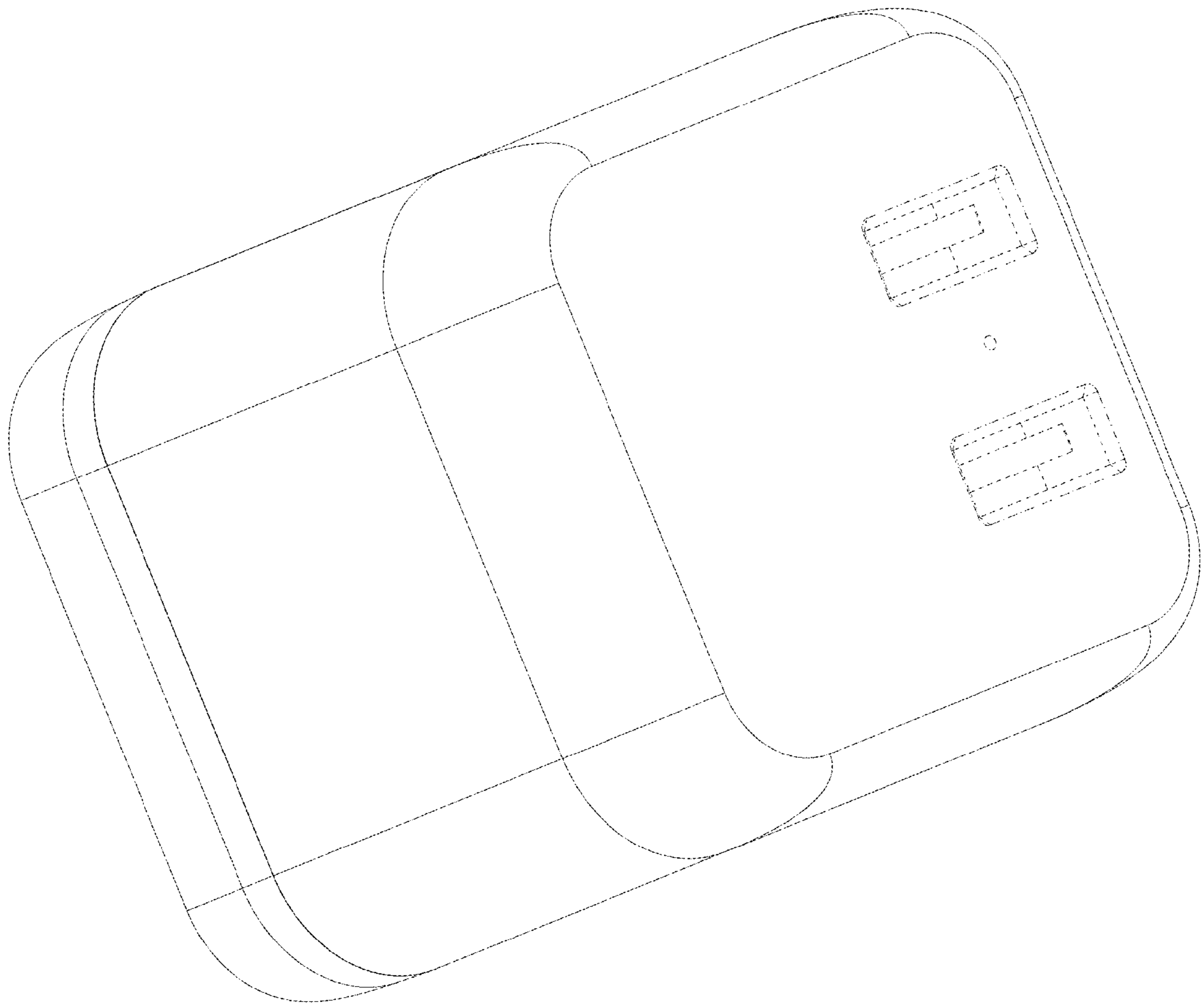


FIG.2

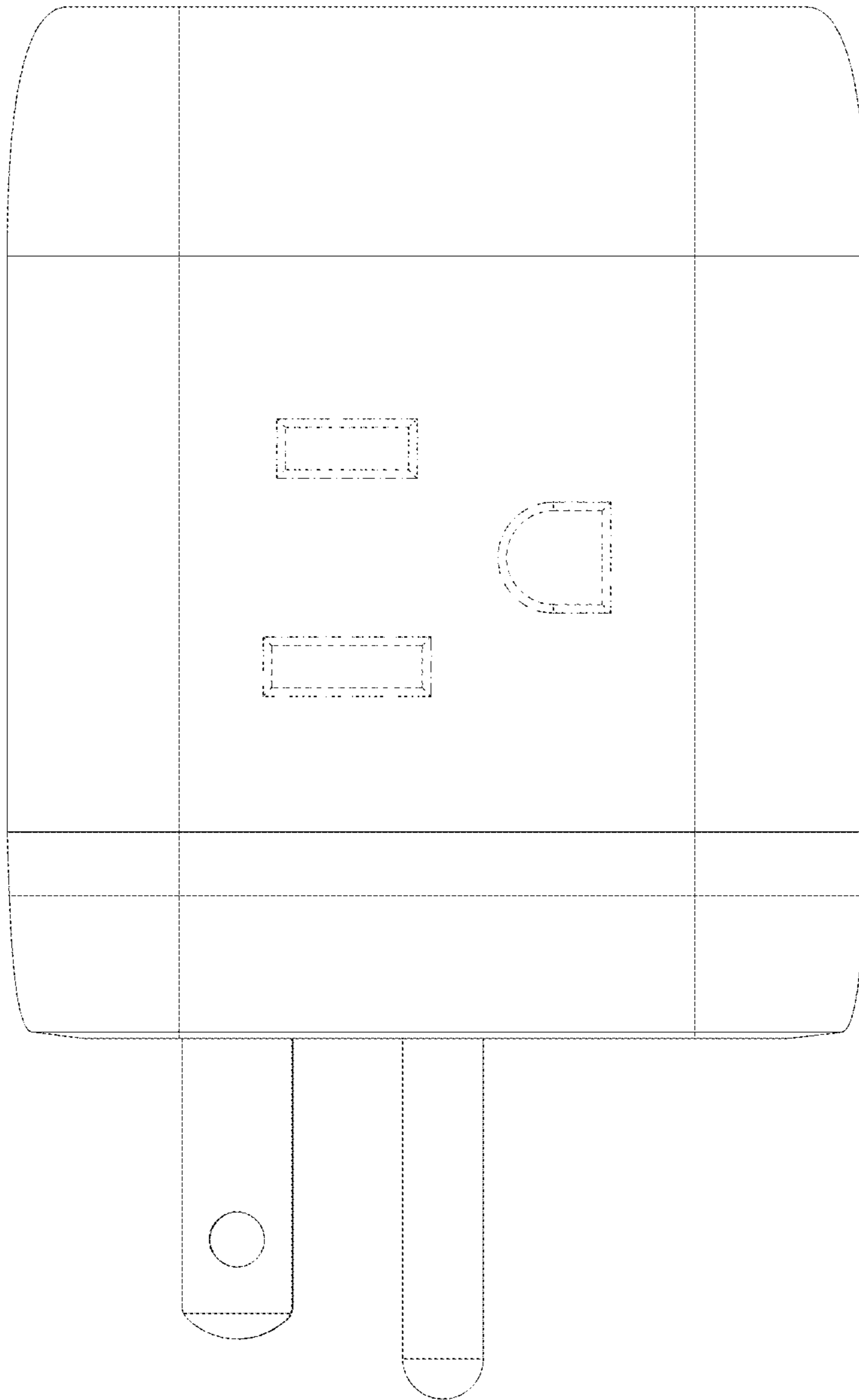


FIG. 3

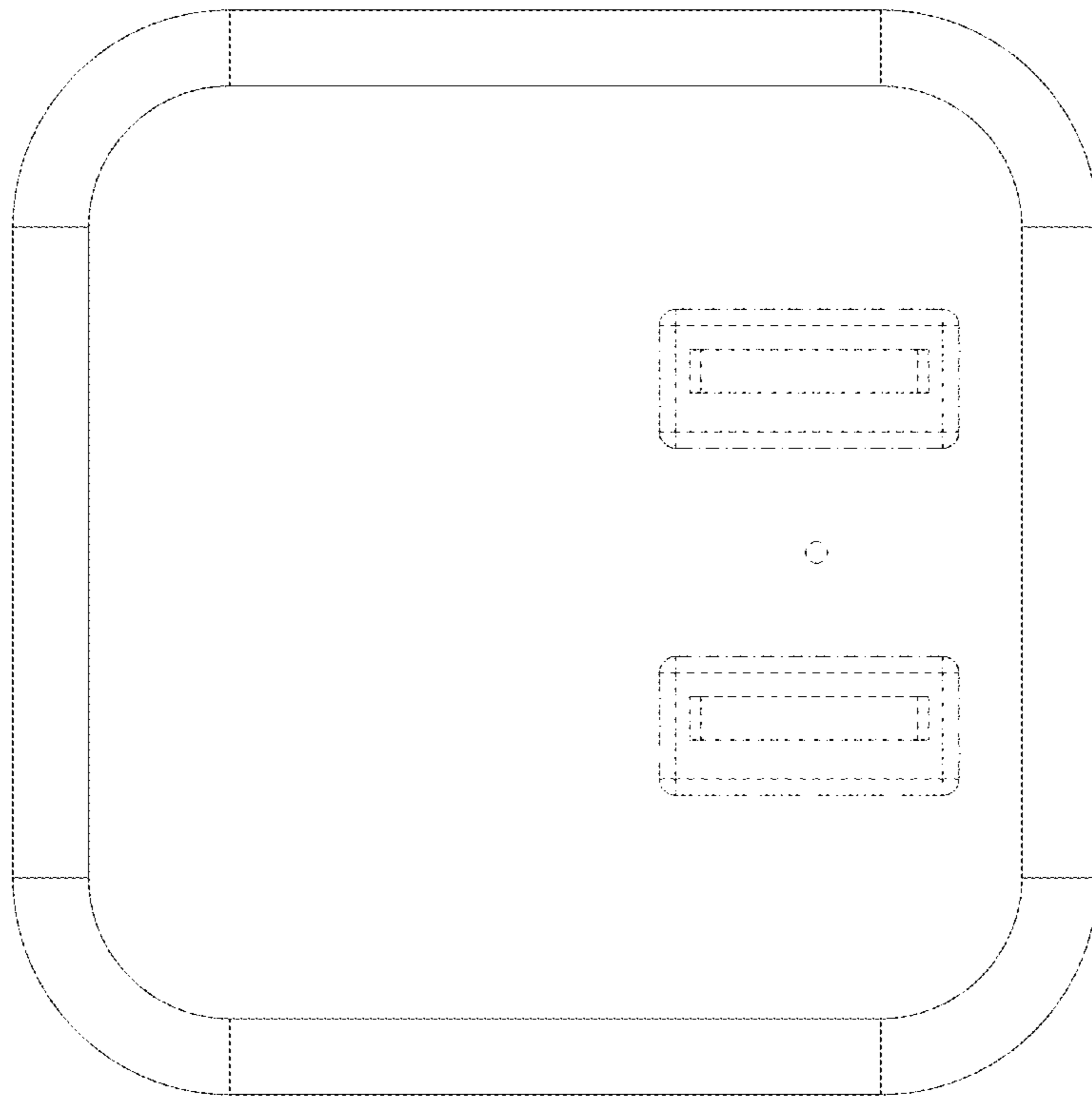


FIG. 4

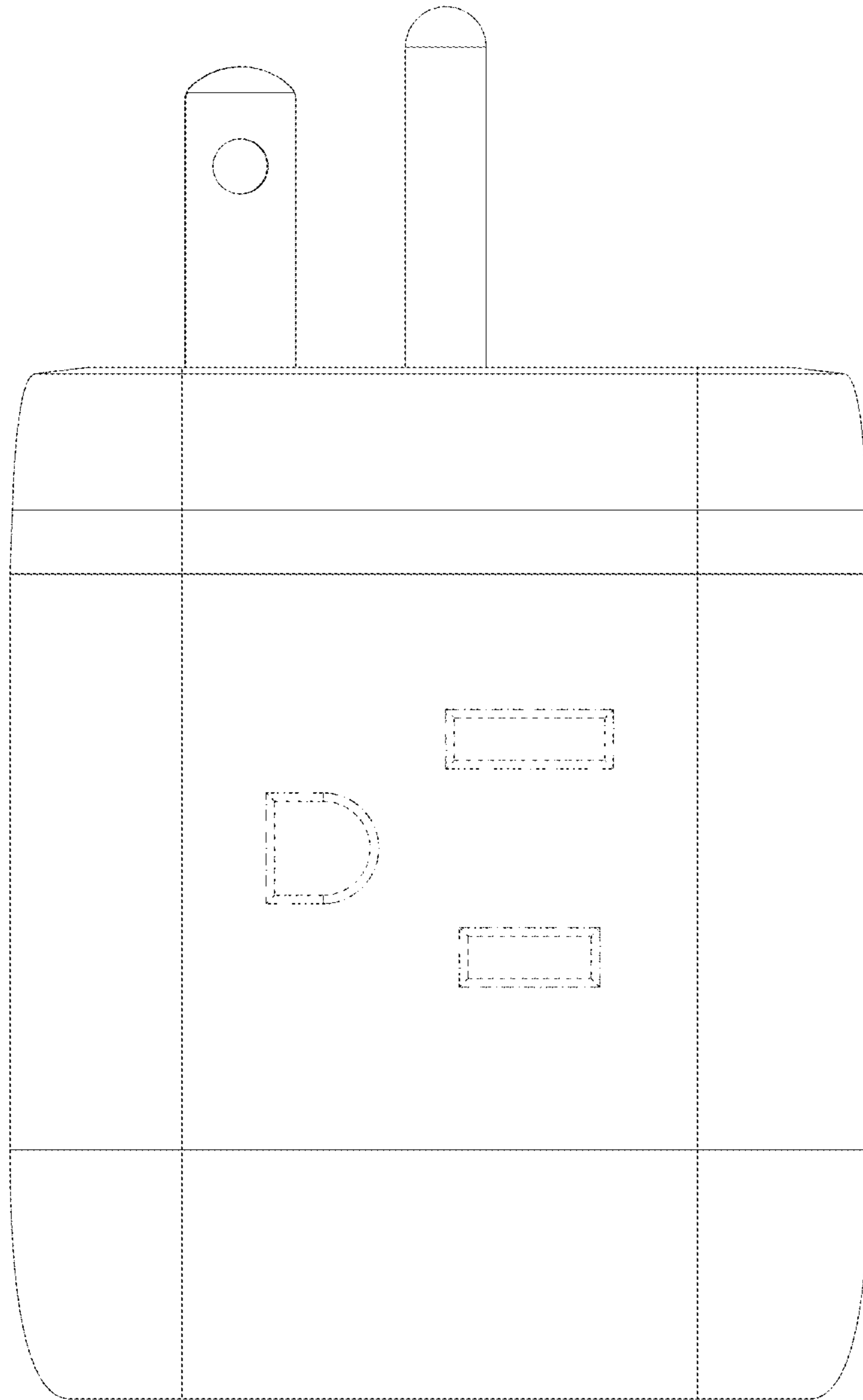


FIG. 5

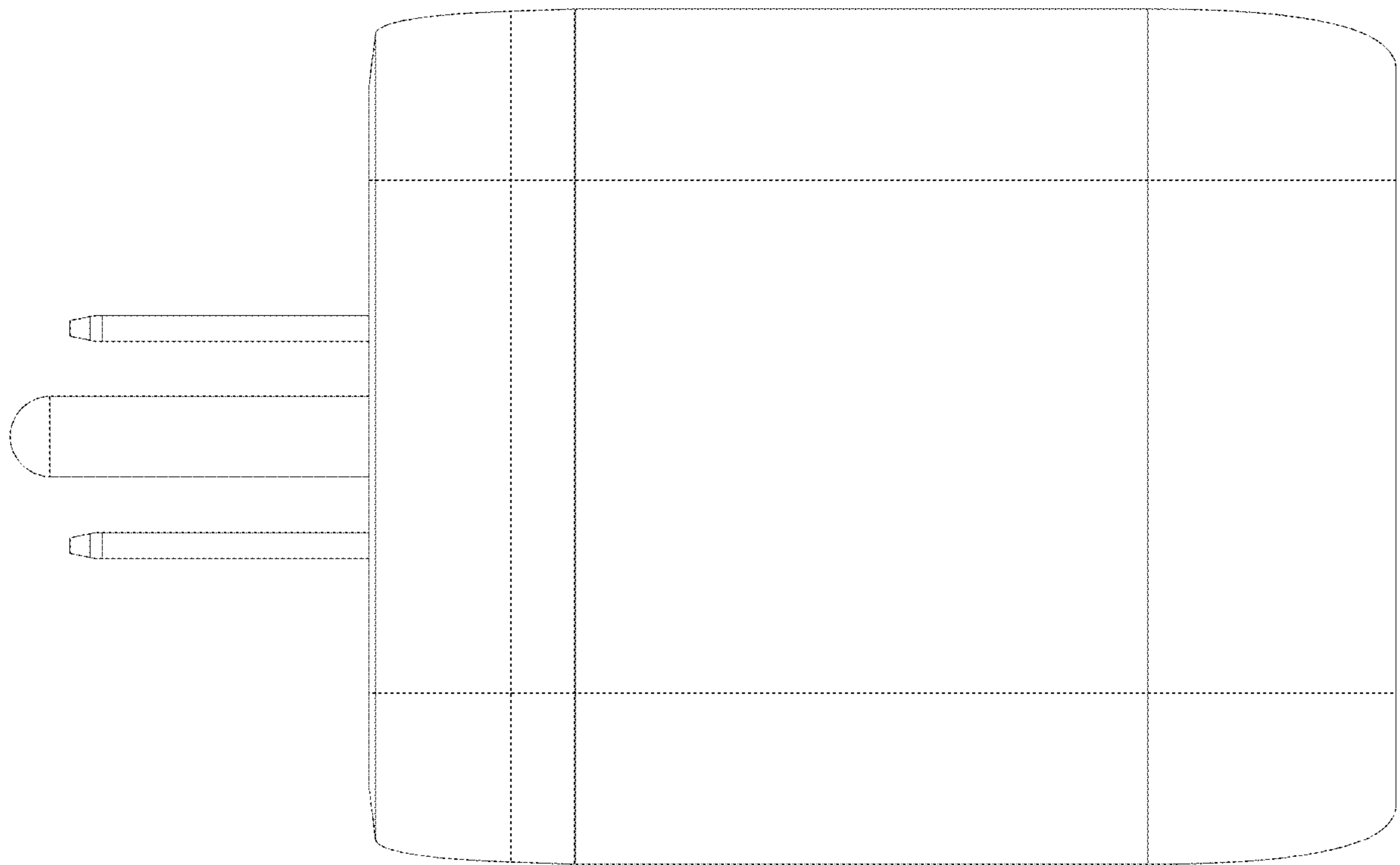


FIG.6



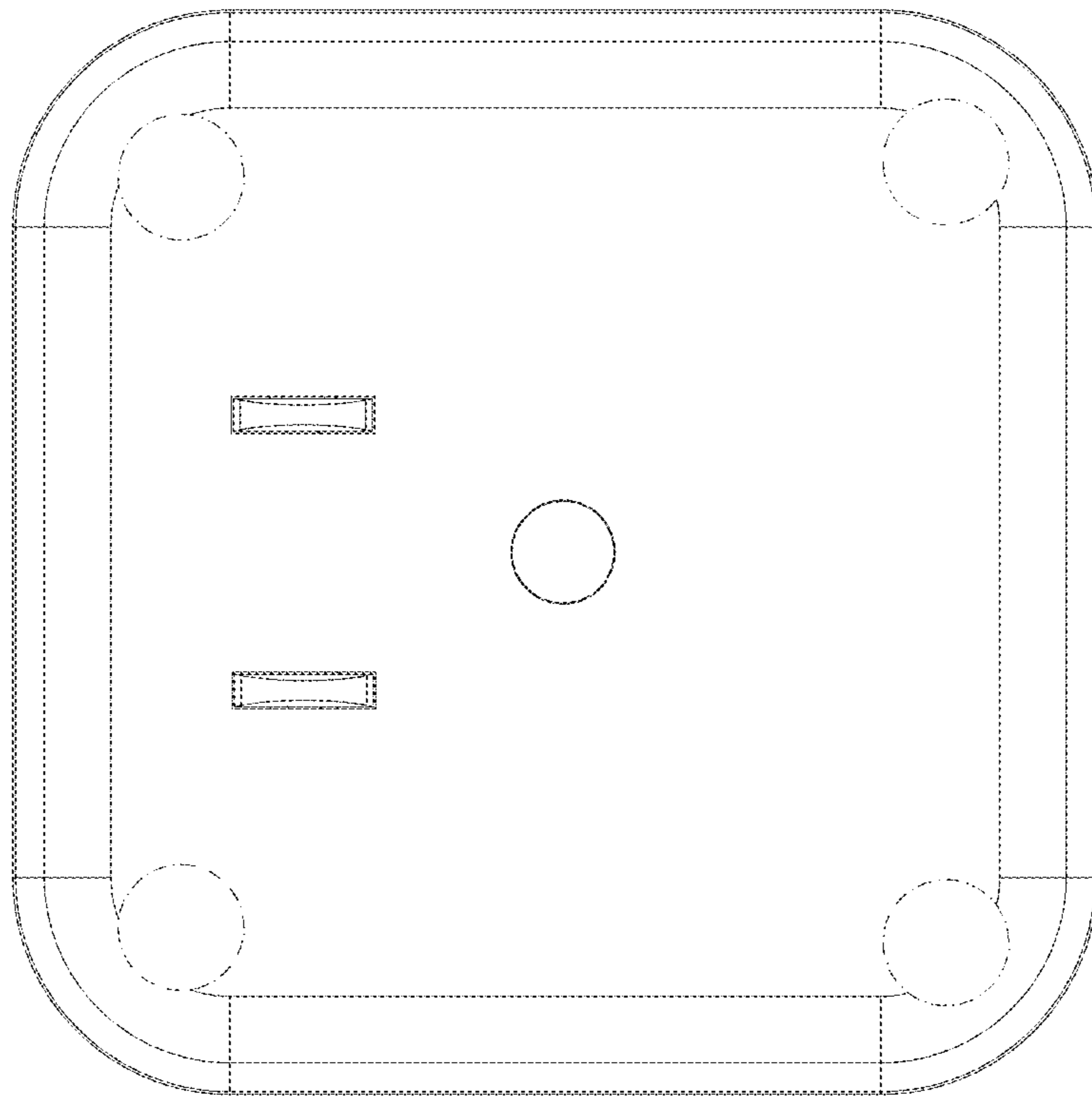


FIG. 7

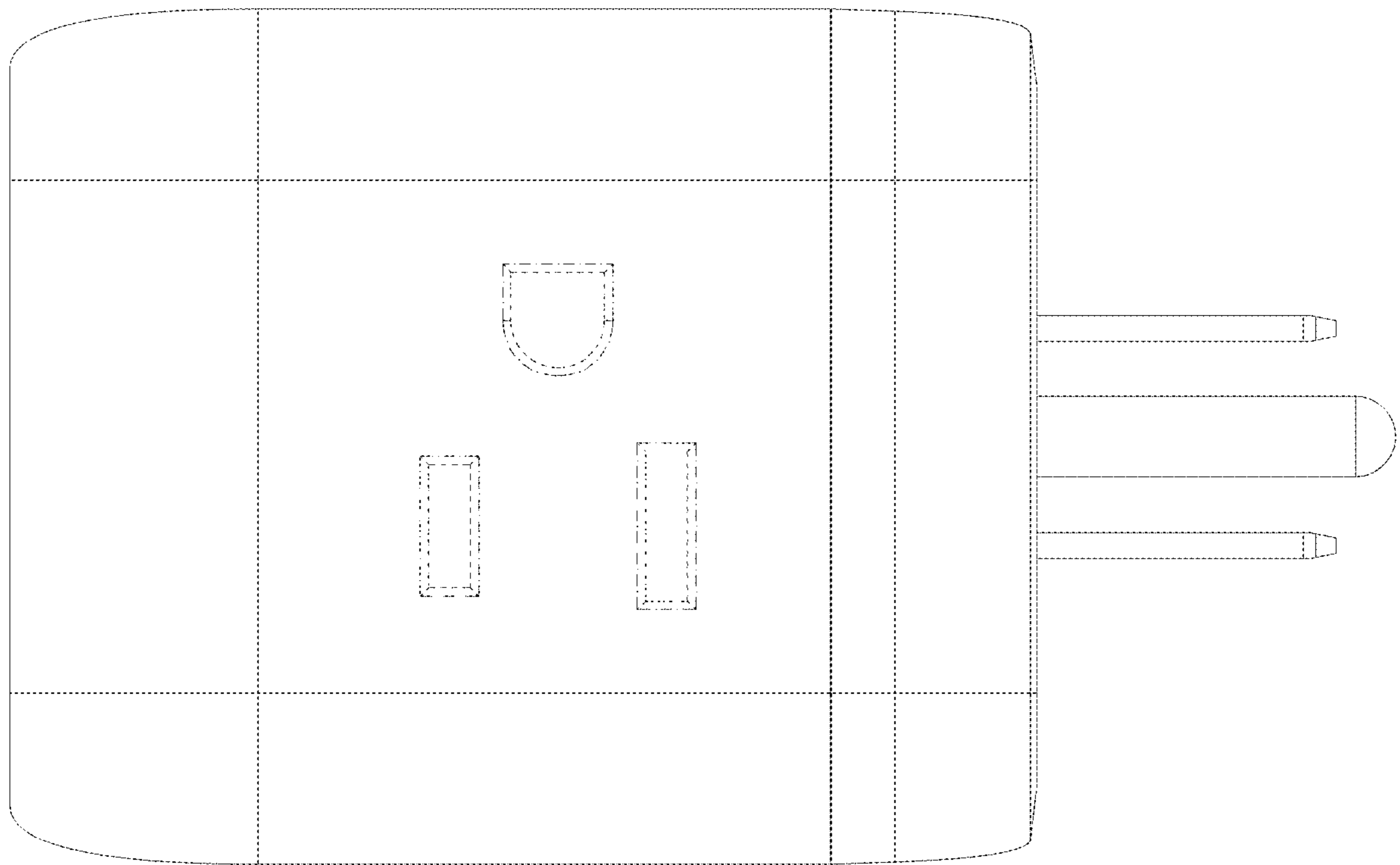


FIG. 8