



US00D926696S

(12) **United States Design Patent**  
**Jung et al.**

(10) **Patent No.:** **US D926,696 S**

(45) **Date of Patent:** **\*\* Aug. 3, 2021**

(54) **CONNECTOR FOR SIGNAL TRANSMISSION**

(71) Applicant: **GigaLane Co., Ltd.**, Hwaseong-si (KR)

(72) Inventors: **Kyung Hun Jung**, Hwaseong-si (KR);  
**Hwa Yoon Song**, Hwaseong-si (KR);  
**Hee Seok Jung**, Hwaseong-si (KR); **Jin Uk Lee**, Hwaseong-si (KR); **Chang Hyun Yang**, Hwaseong-si (KR); **Sun Hwa Cha**, Hwaseong-si (KR); **Eun Jung Kim**, Hwaseong-si (KR)

(73) Assignee: **GigaLane Co., Ltd.**, Hwaseong-si (KR)

(\*\*) Term: **15 Years**

(21) Appl. No.: **29/752,667**

(22) Filed: **Sep. 28, 2020**

**Related U.S. Application Data**

(62) Division of application No. 35/507,401, filed on Jan. 10, 2019 (U.S. filing date under 35 U.S.C. 384), and having an international filing date of Jan. 10, 2019, now Pat. No. Des. 913,945.

(30) **Foreign Application Priority Data**

Aug. 1, 2018 (KR) ..... 30-2018-0035734

(51) **LOC (13) Cl.** ..... **13-03**

(52) **U.S. Cl.**  
USPC ..... **D13/133**

(58) **Field of Classification Search**

USPC ..... D13/133, 154, 151, 120, 146, 149, 156  
CPC .... H01R 2103/00; H01R 24/40; H01R 24/38;  
H01R 9/05; H01R 13/6275; H01R  
13/052; H01R 13/187; H01R 13/6277;  
H02G 3/0481

See application file for complete search history.

(56) **References Cited**

U.S. PATENT DOCUMENTS

6,619,876	B2 *	9/2003	Vaitkus .....	F16D 1/112 403/349
7,607,942	B1 *	10/2009	Van Swearingen .....	B29C 45/16 29/828
7,803,018	B1 *	9/2010	Islam .....	H01R 24/564 439/583
8,454,384	B2 *	6/2013	Islam .....	H01R 24/40 439/583
8,469,739	B2 *	6/2013	Rodrigues .....	H01R 13/622 439/578
8,573,996	B2 *	11/2013	Amidon .....	H01R 9/0524 439/322
8,628,352	B2 *	1/2014	Nugent .....	H01R 9/05 439/578
D814,173	S *	4/2018	Ma .....	D3/10
D833,980	S *	11/2018	Edmonds .....	D13/156
10,830,833	B1 *	11/2020	Brinkoetter .....	H01R 9/0527
D913,945	S *	3/2021	Jung .....	D13/133

(Continued)

*Primary Examiner* — Nathaniel D. Buckner

(74) *Attorney, Agent, or Firm* — Syncoda LLC; Feng Ma

(57) **CLAIM**

The ornamental design for a connector for signal transmission, as shown and described.

**DESCRIPTION**

FIG. 1 is a top perspective view of a connector for signal transmission;

FIG. 2 is a front view thereof;

FIG. 3 is a rear view thereof;

FIG. 4 is a left view thereof;

FIG. 5 is a right view thereof;

FIG. 6 is a top view thereof;

(Continued)

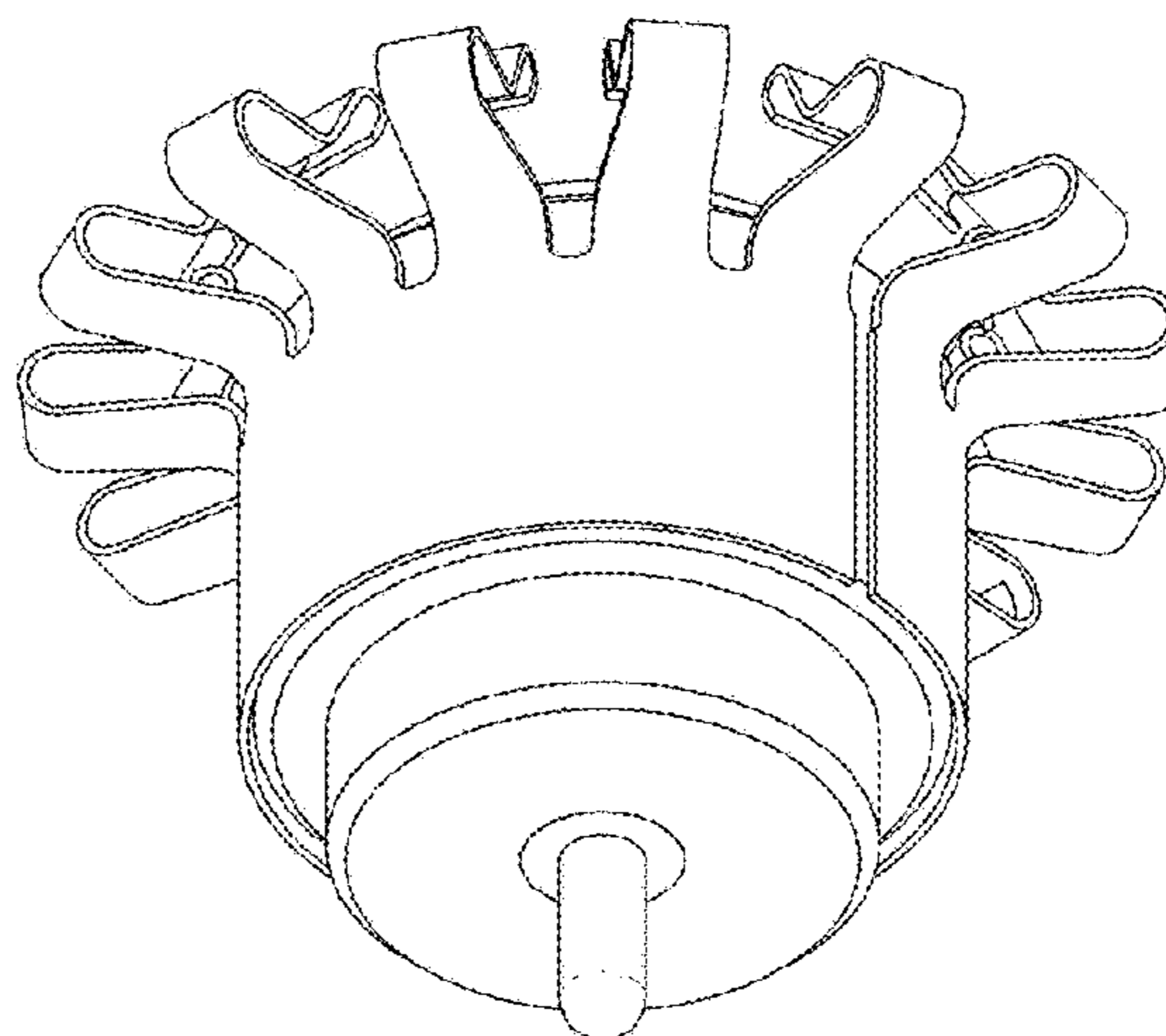
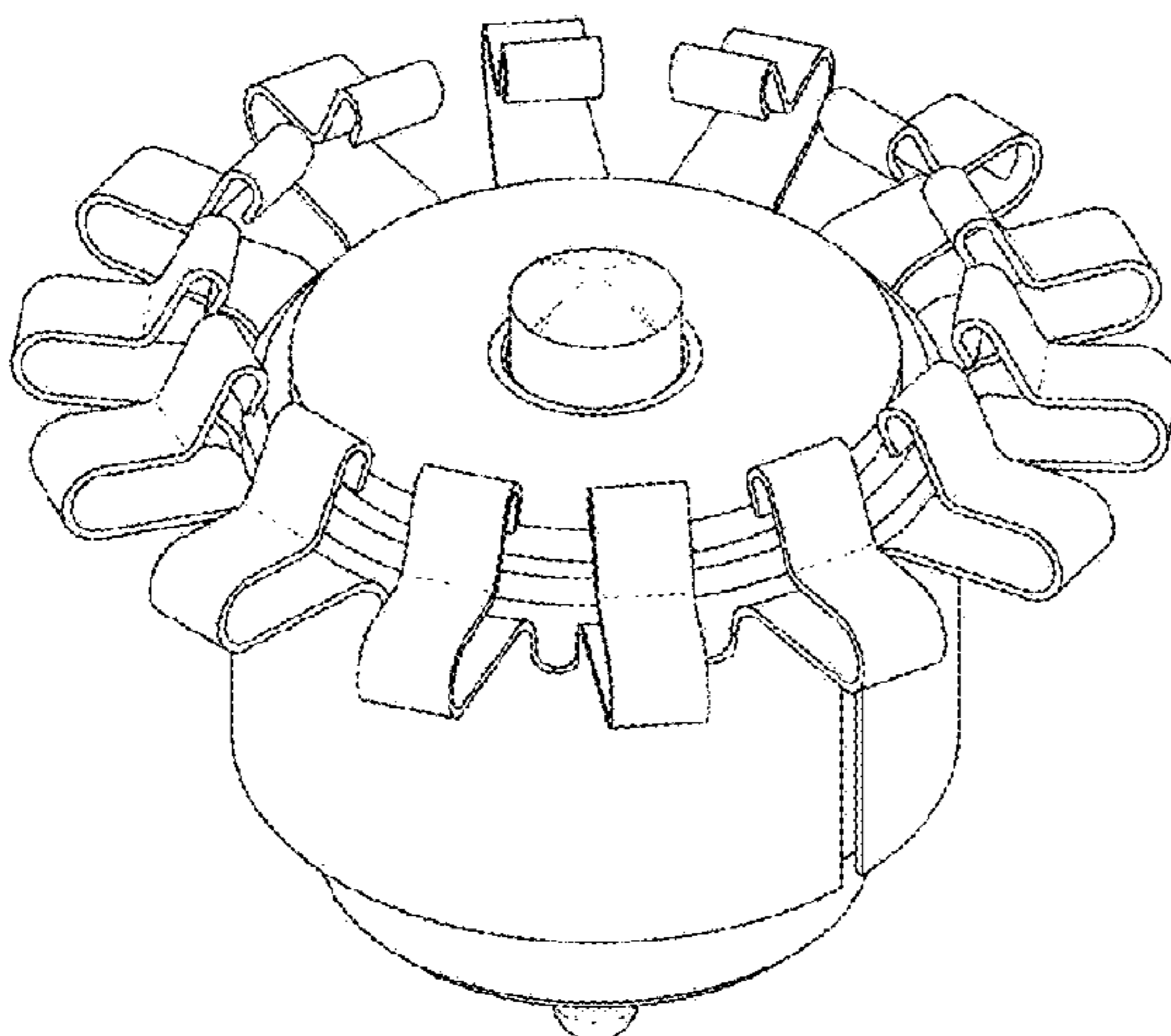


FIG. 7 is a bottom view thereof; and,  
FIG. 8 is a bottom perspective view thereof.

**1 Claim, 7 Drawing Sheets**

(56) **References Cited**

U.S. PATENT DOCUMENTS

2011/0162492 A1\* 7/2011 Wilson ..... B25B 13/06  
81/475  
2016/0226196 A1\* 8/2016 Tuenker ..... H01R 13/187

\* cited by examiner

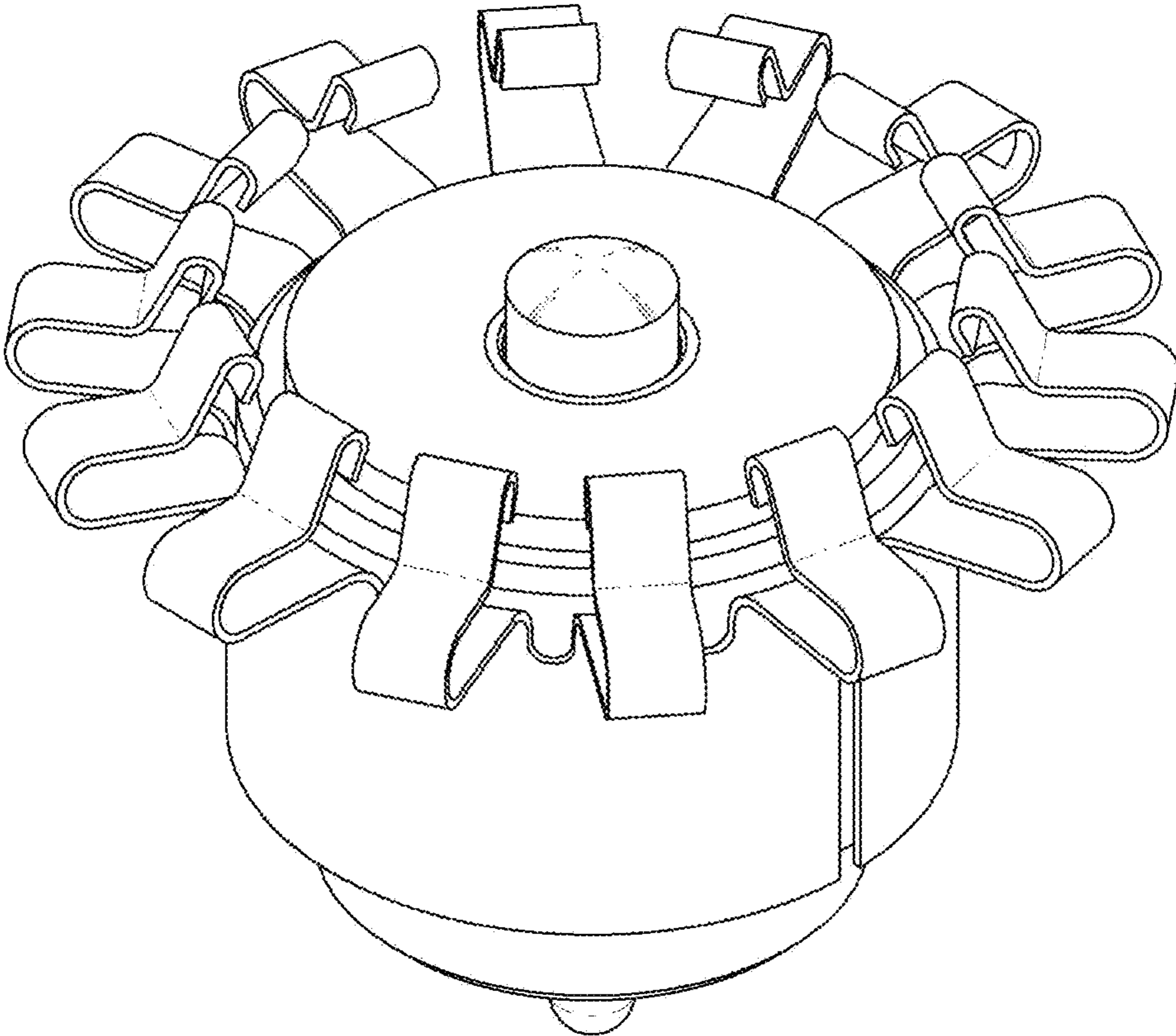


FIG. 1

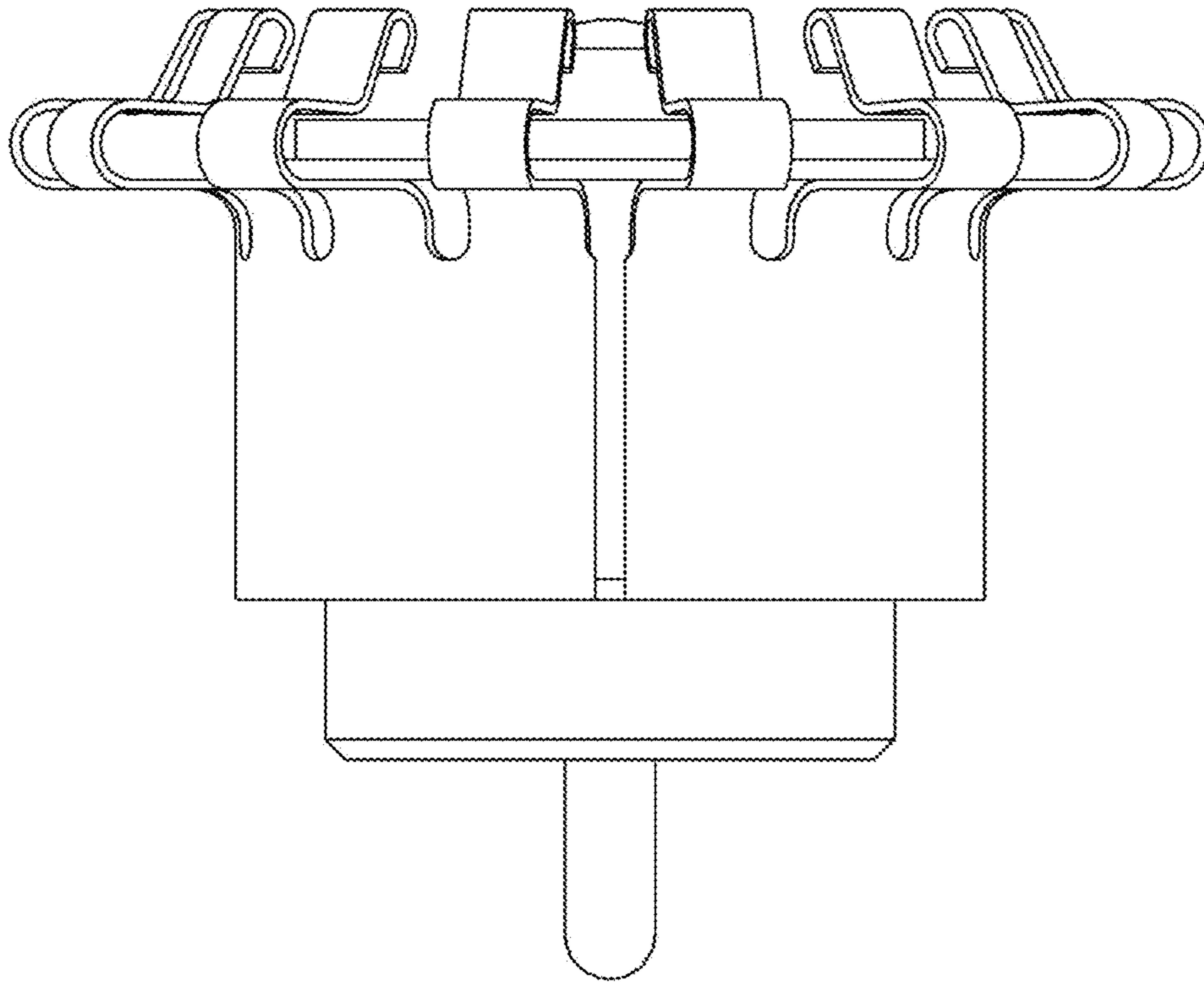


FIG. 2

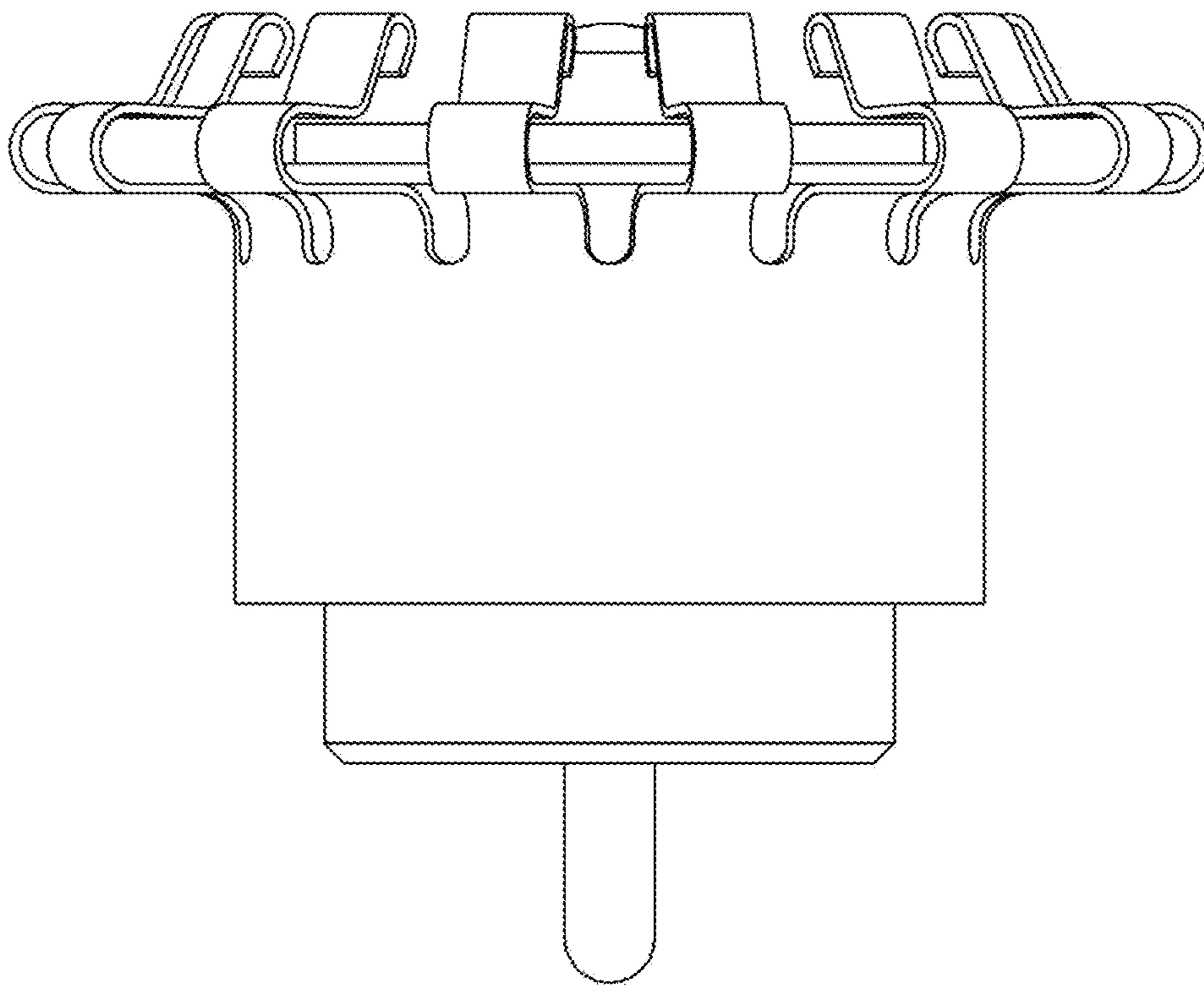


FIG. 3

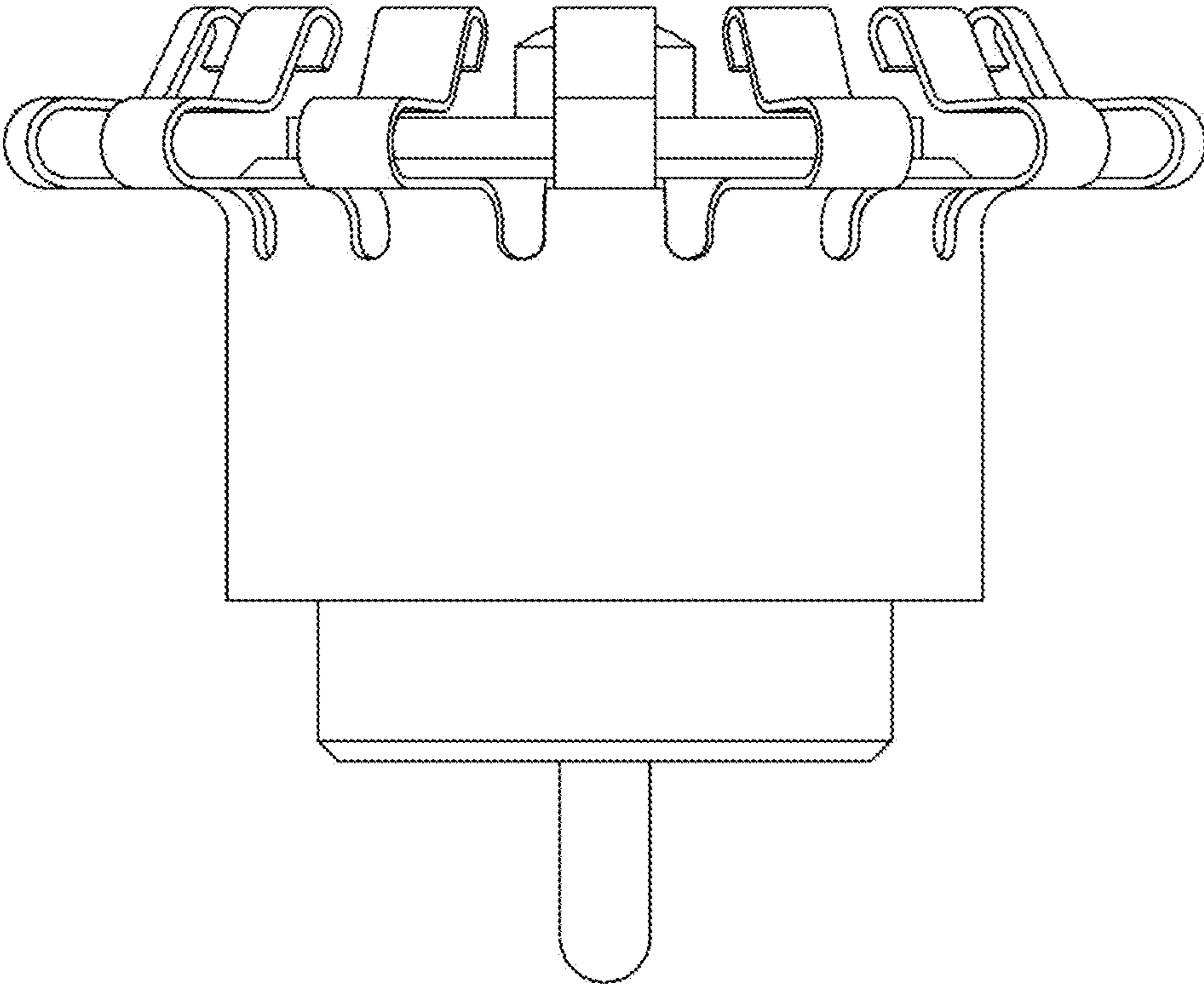


FIG. 4

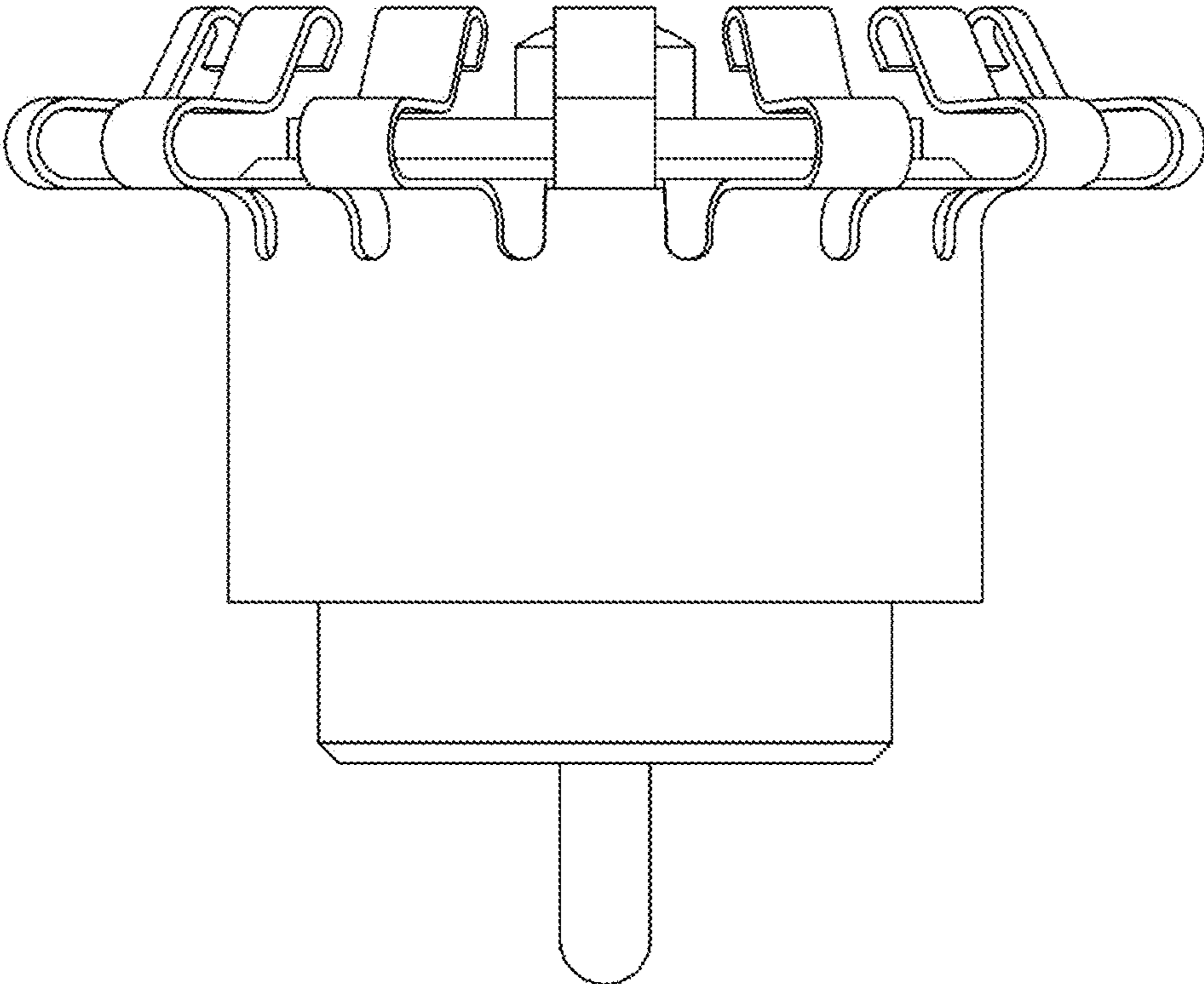


FIG. 5

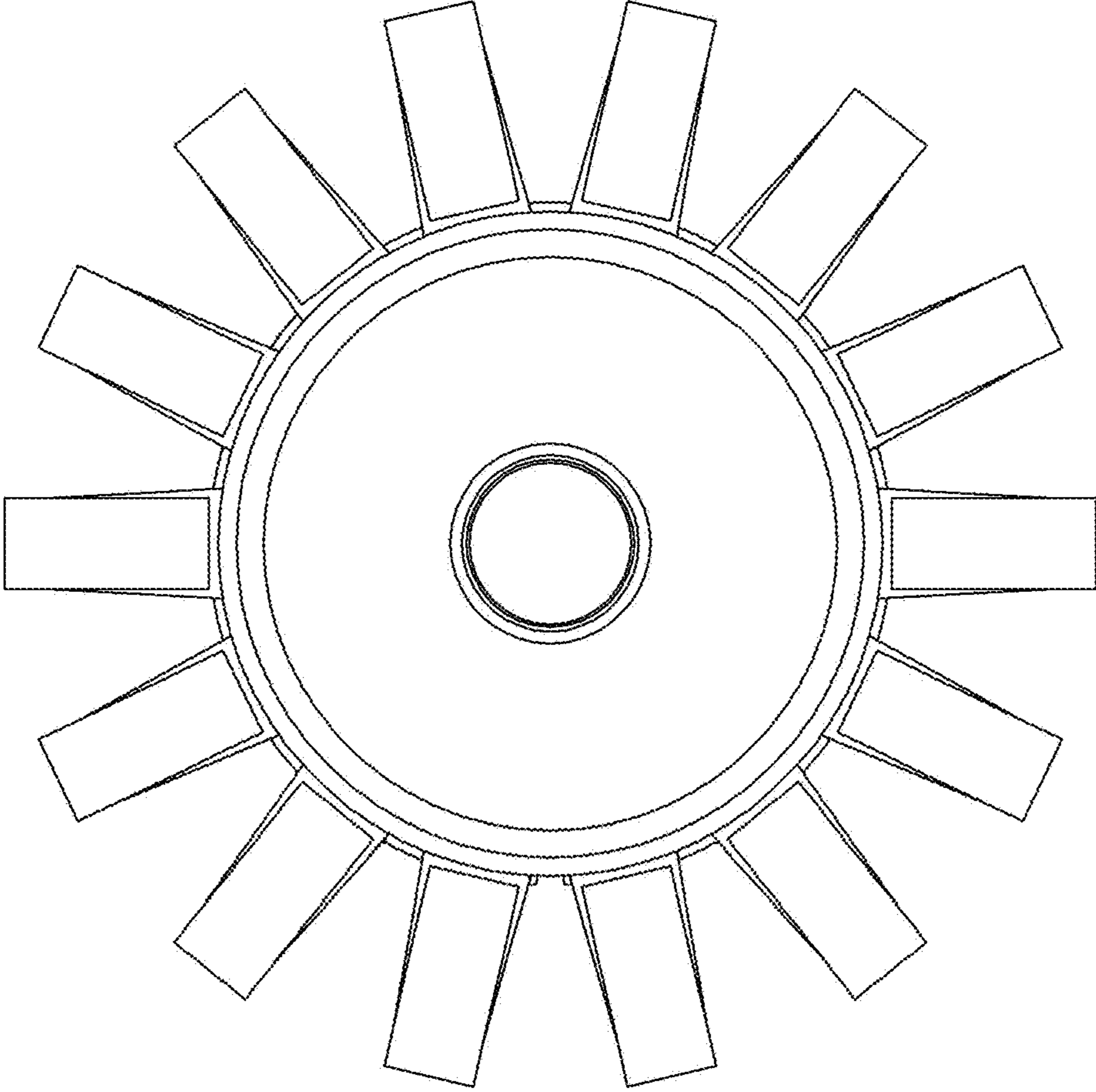


FIG. 6

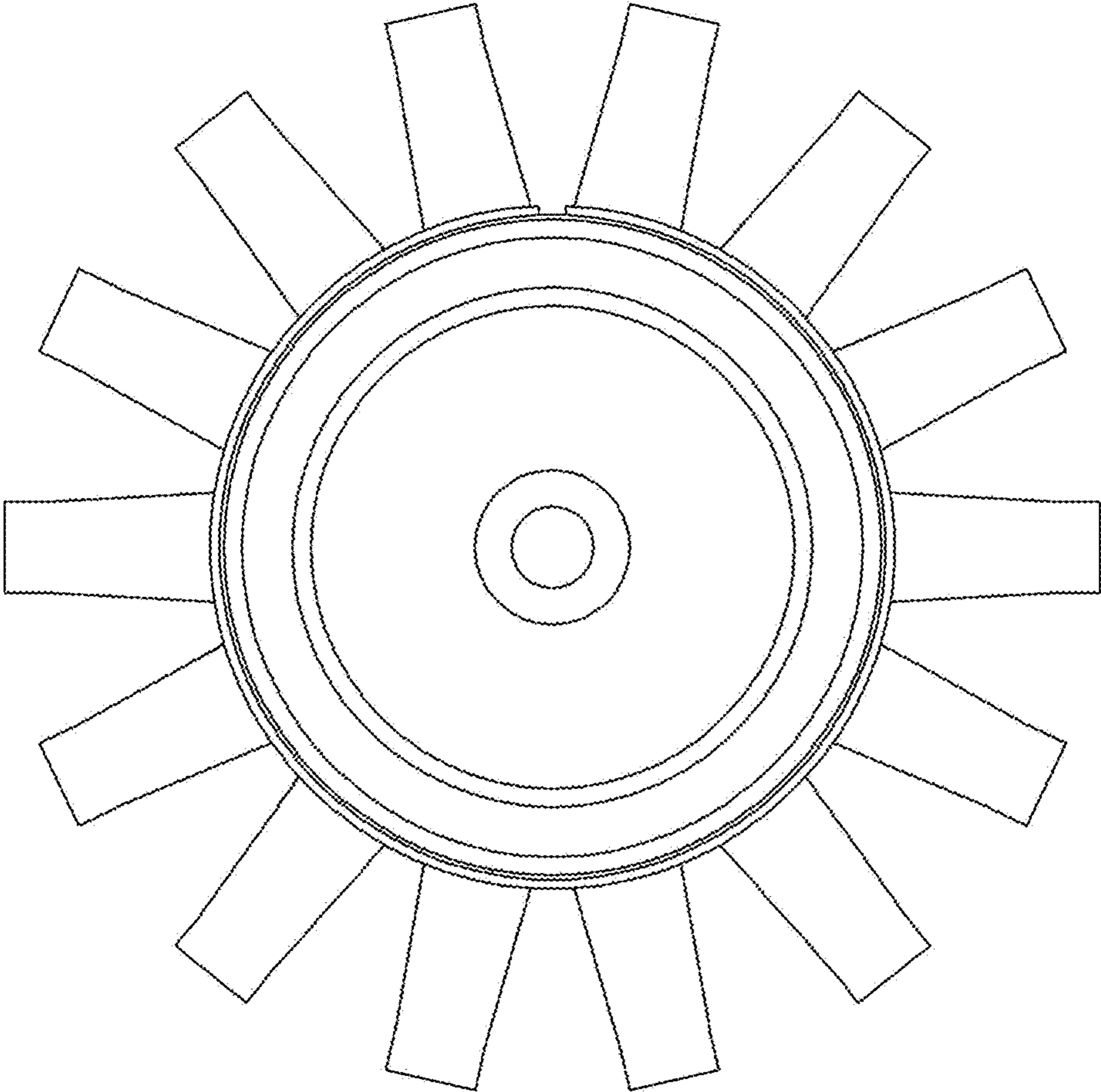


FIG. 7



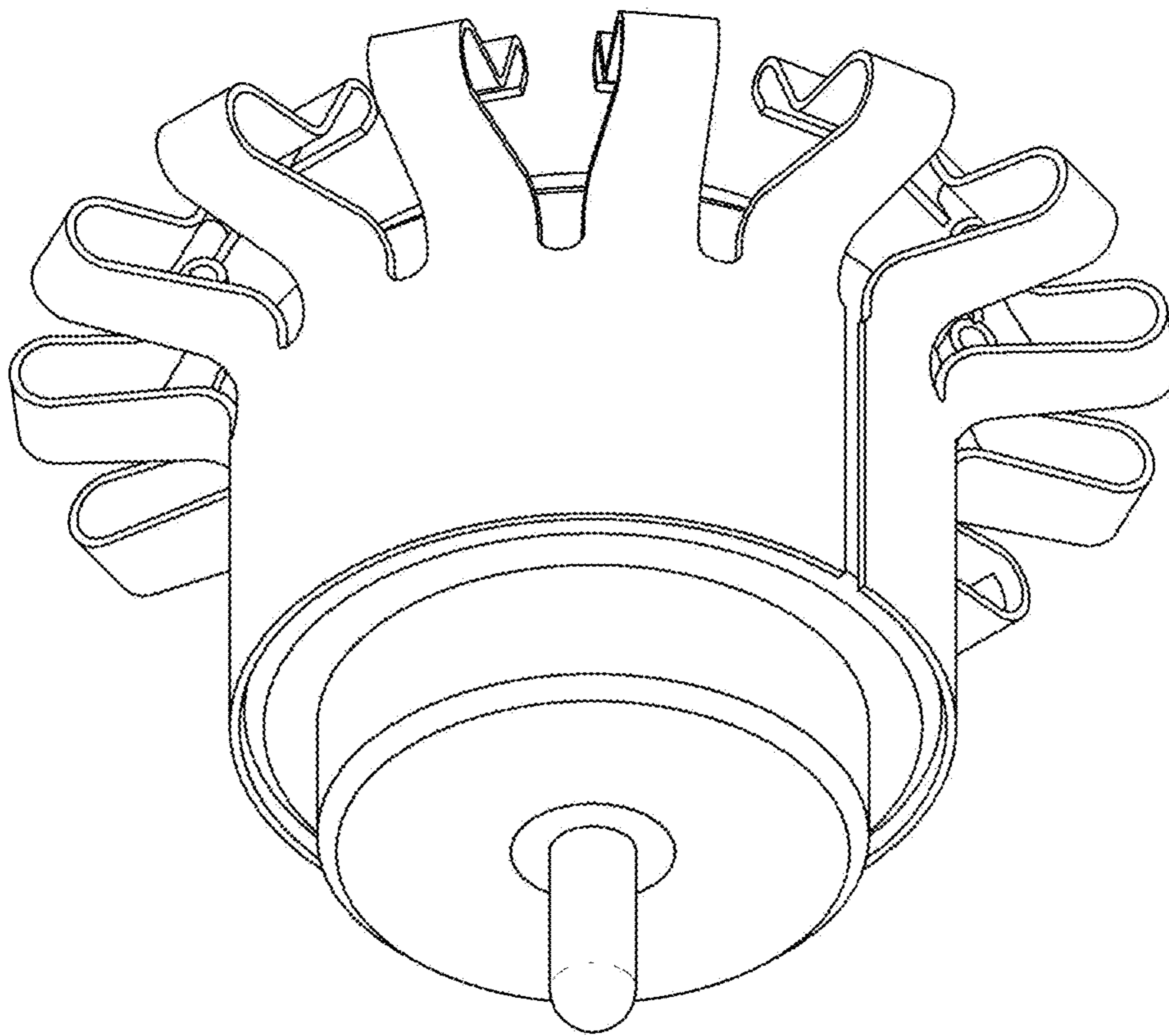


FIG. 8