



US00D926694S

(12) **United States Design Patent**
Jung et al.

(10) **Patent No.:** **US D926,694 S**
(45) **Date of Patent:** **** Aug. 3, 2021**

(54) **CONNECTOR FOR SIGNAL TRANSMISSION**

(71) Applicant: **GigaLane Co., Ltd.**, Hwaseong-si (KR)

(72) Inventors: **Kyung Hun Jung**, Hwaseong-si (KR);
Hwa Yoon Song, Hwaseong-si (KR);
Hee Seok Jung, Hwaseong-si (KR); **Jin Uk Lee**, Hwaseong-si (KR); **Chang Hyun Yang**, Hwaseong-si (KR); **Sun Hwa Cha**, Hwaseong-si (KR); **Eun Jung Kim**, Hwaseong-si (KR)

(73) Assignee: **GigaLane Co., Ltd.**, Hwaseong-si (KR)

(**) Term: **15 Years**

(21) Appl. No.: **29/752,650**

(22) Filed: **Sep. 28, 2020**

Related U.S. Application Data

(62) Division of application No. 35/507,401, filed on Jan. 10, 2019 (U.S. filing date under 35 U.S.C. 384), and having an international filing date of Jan. 10, 2019, now Pat. No. Des. 913,945.

(30) **Foreign Application Priority Data**

Aug. 1, 2018 (KR) 30-2018-0035734

(51) **LOC (13) Cl.** **13-03**

(52) **U.S. Cl.**
USPC **D13/133**

(58) **Field of Classification Search**
USPC D13/133, 154, 151, 120, 146, 149, 156
CPC H01R 2103/00; H01R 24/40; H01R 24/38;
H01R 9/05; H01R 13/6275; H01R 13/052; H01R 13/187; H01R 13/6277;
H02G 3/0481

See application file for complete search history.

(56) **References Cited**

U.S. PATENT DOCUMENTS

6,619,876	B2 *	9/2003	Vaitkus	F16D 1/112 403/349
7,607,942	B1 *	10/2009	Van Swearingen	B29C 45/16 29/828
7,803,018	B1 *	9/2010	Islam	H01R 24/564 439/583
8,454,384	B2 *	6/2013	Islam	H01R 24/40 439/583
8,469,739	B2 *	6/2013	Rodrigues	H01R 13/622 439/578
8,573,996	B2 *	11/2013	Amidon	H01R 9/0524 439/322
8,628,352	B2 *	1/2014	Nugent	H01R 9/05 439/578
D814,173	S *	4/2018	Ma	D3/10
D833,980	S *	11/2018	Edmonds	D13/156
10,830,833	B1 *	11/2020	Brinkoetter	H01R 9/0527
D913,945	S *	3/2021	Jung	D13/133
2011/0162492	A1 *	7/2011	Wilson	B25B 13/06 81/475
2016/0226196	A1 *	8/2016	Tuenker	H01R 13/187

* cited by examiner

Primary Examiner — Nathaniel D. Buckner

(74) *Attorney, Agent, or Firm* — Syncoda LLC; Feng Ma

(57) **CLAIM**

The ornamental design for a connector for signal transmission, as shown and described.

DESCRIPTION

FIG. 1 is a top perspective view of a connector for signal transmission;

FIG. 2 is a front view thereof;

FIG. 3 is a rear view thereof;

FIG. 4 is a left view thereof;

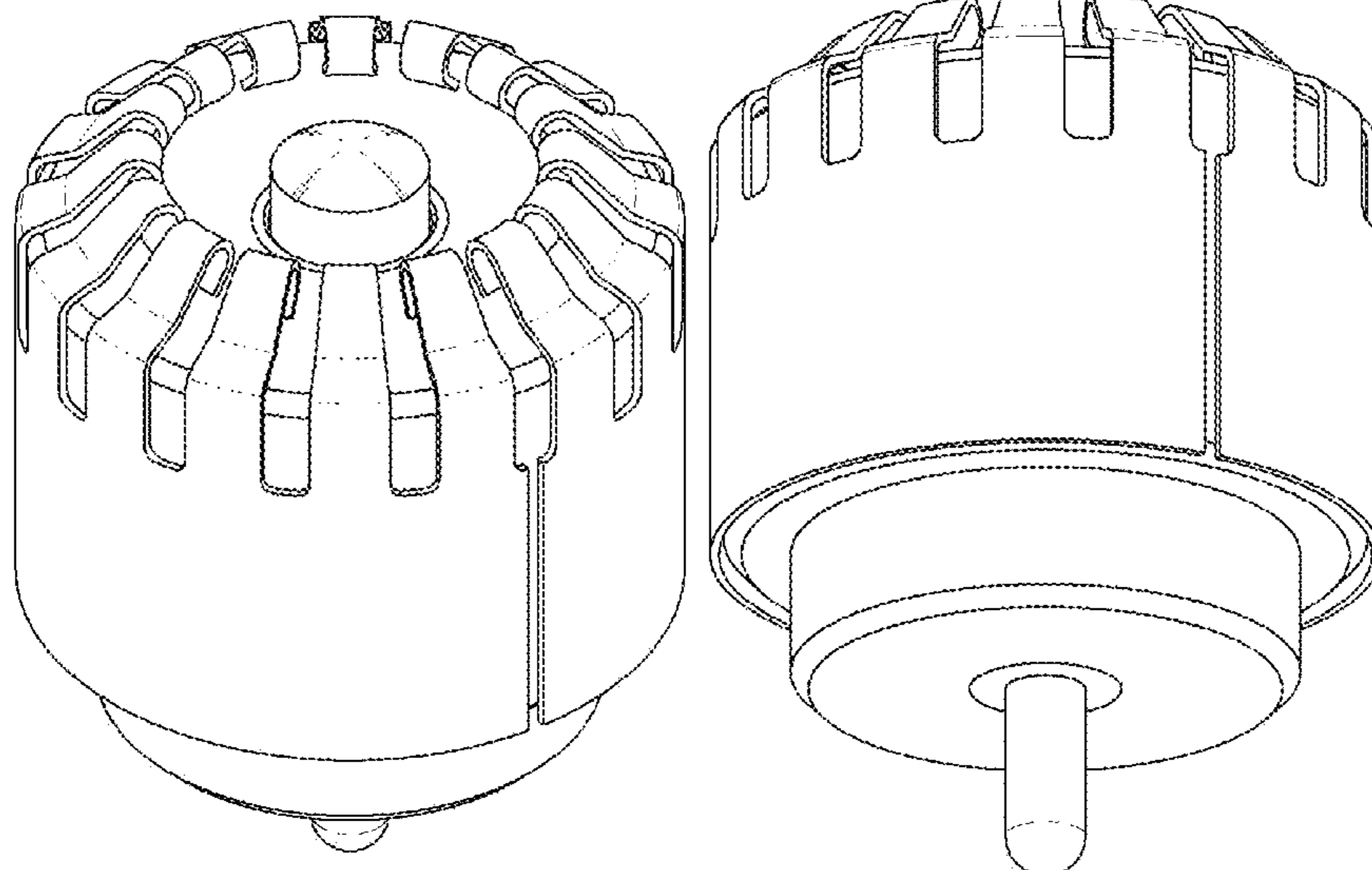
FIG. 5 is a right view thereof;

FIG. 6 is a top view thereof;

FIG. 7 is a bottom view thereof; and,

FIG. 8 is a bottom perspective view thereof.

1 Claim, 5 Drawing Sheets



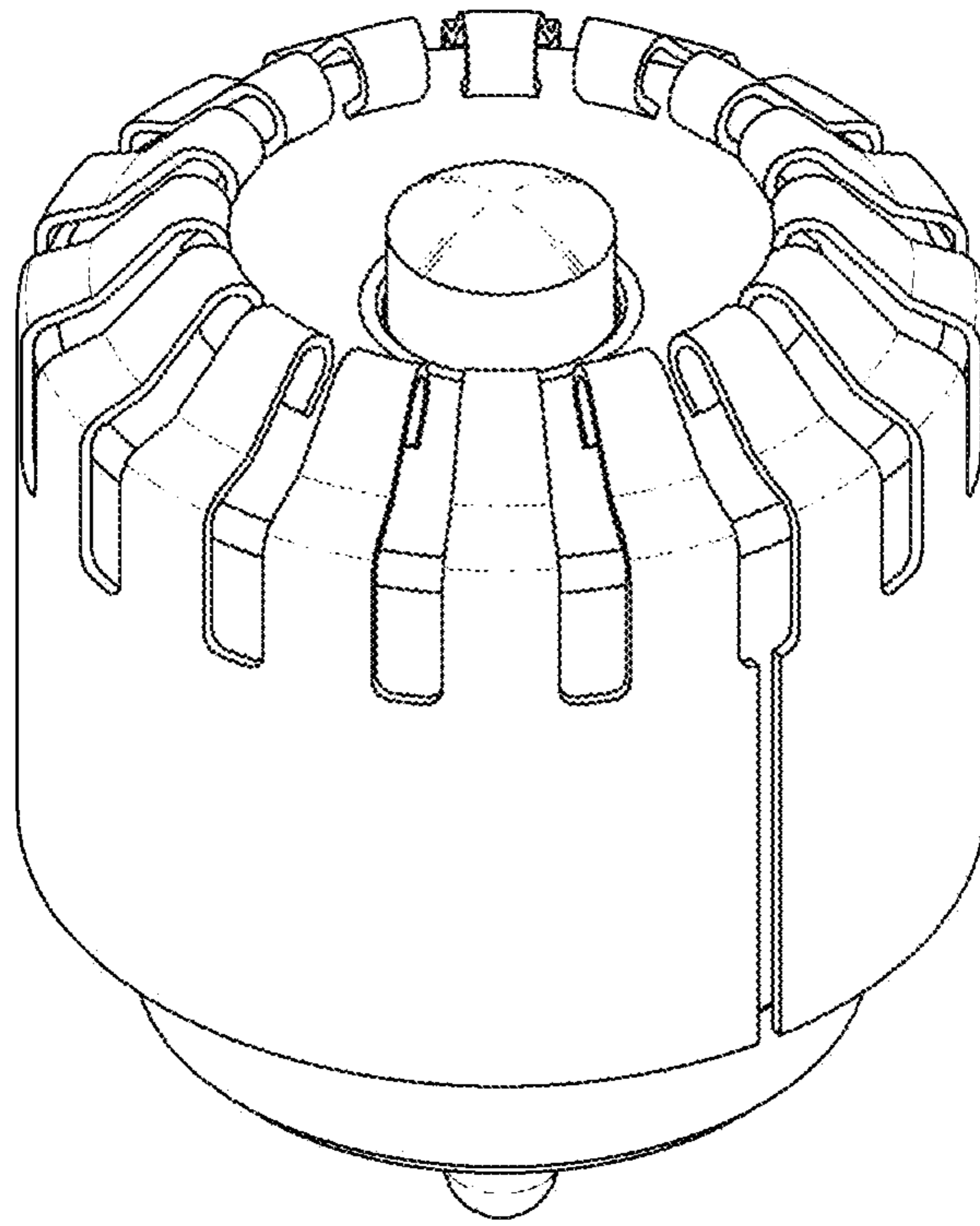


FIG. 1

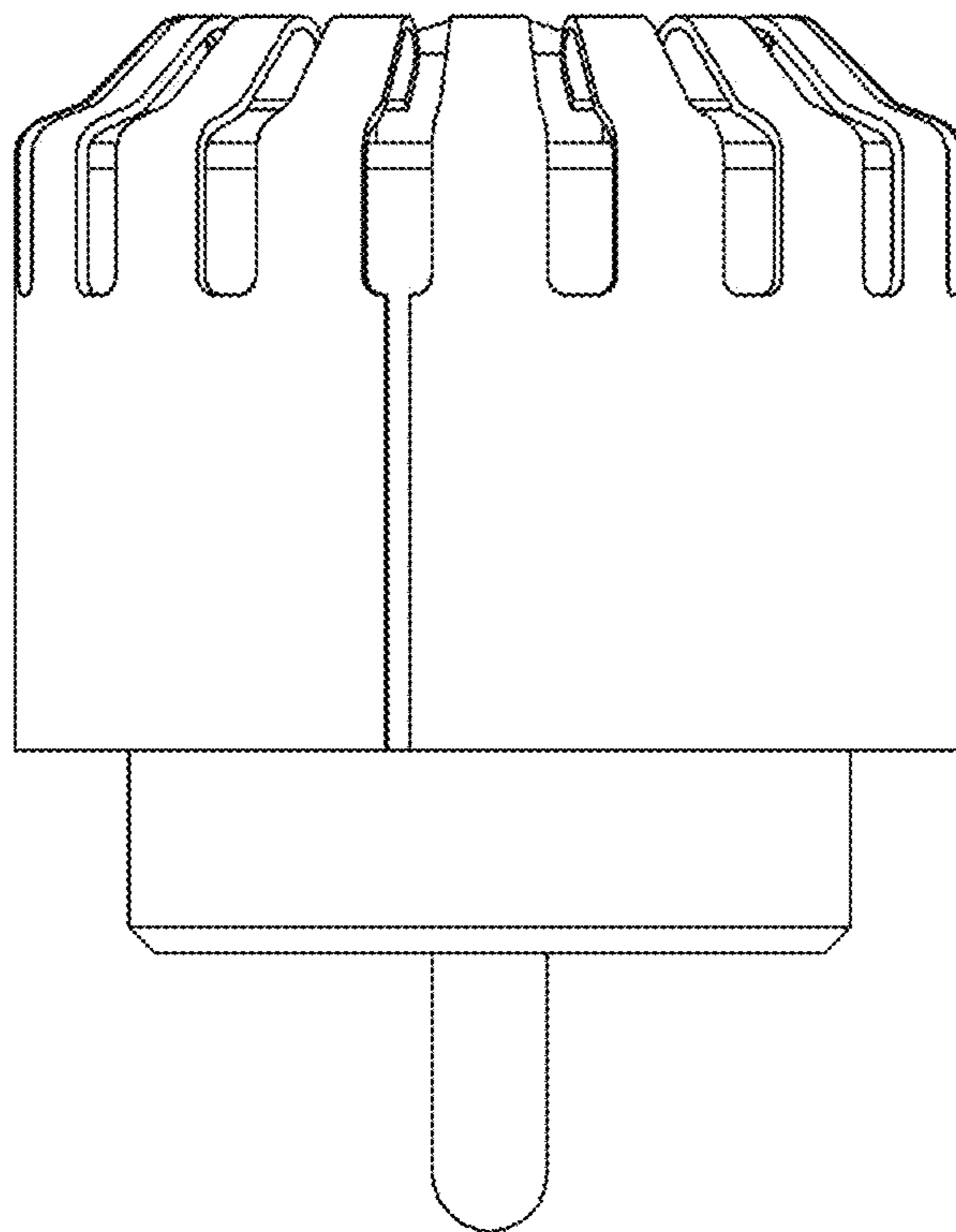


FIG. 2

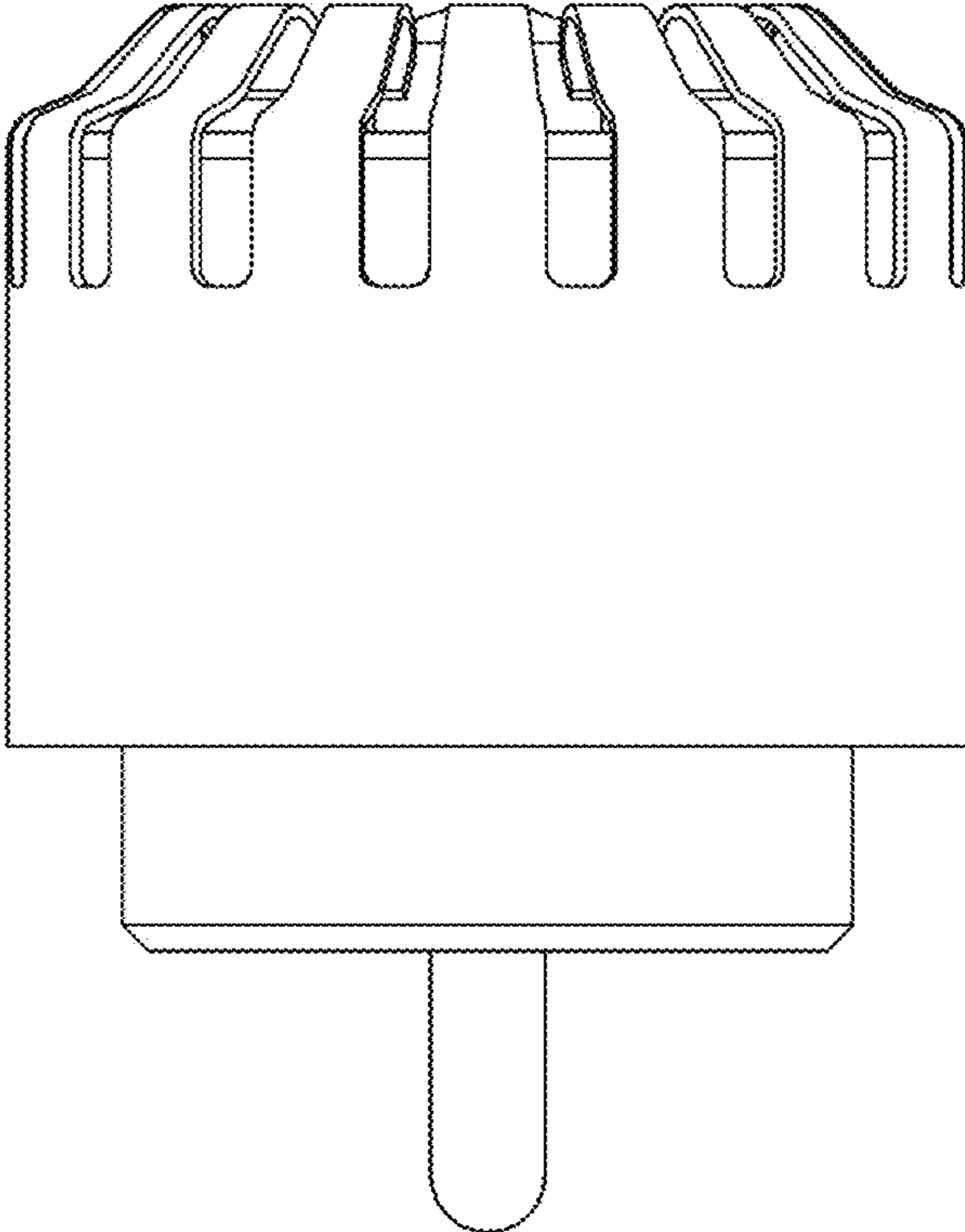


FIG. 3

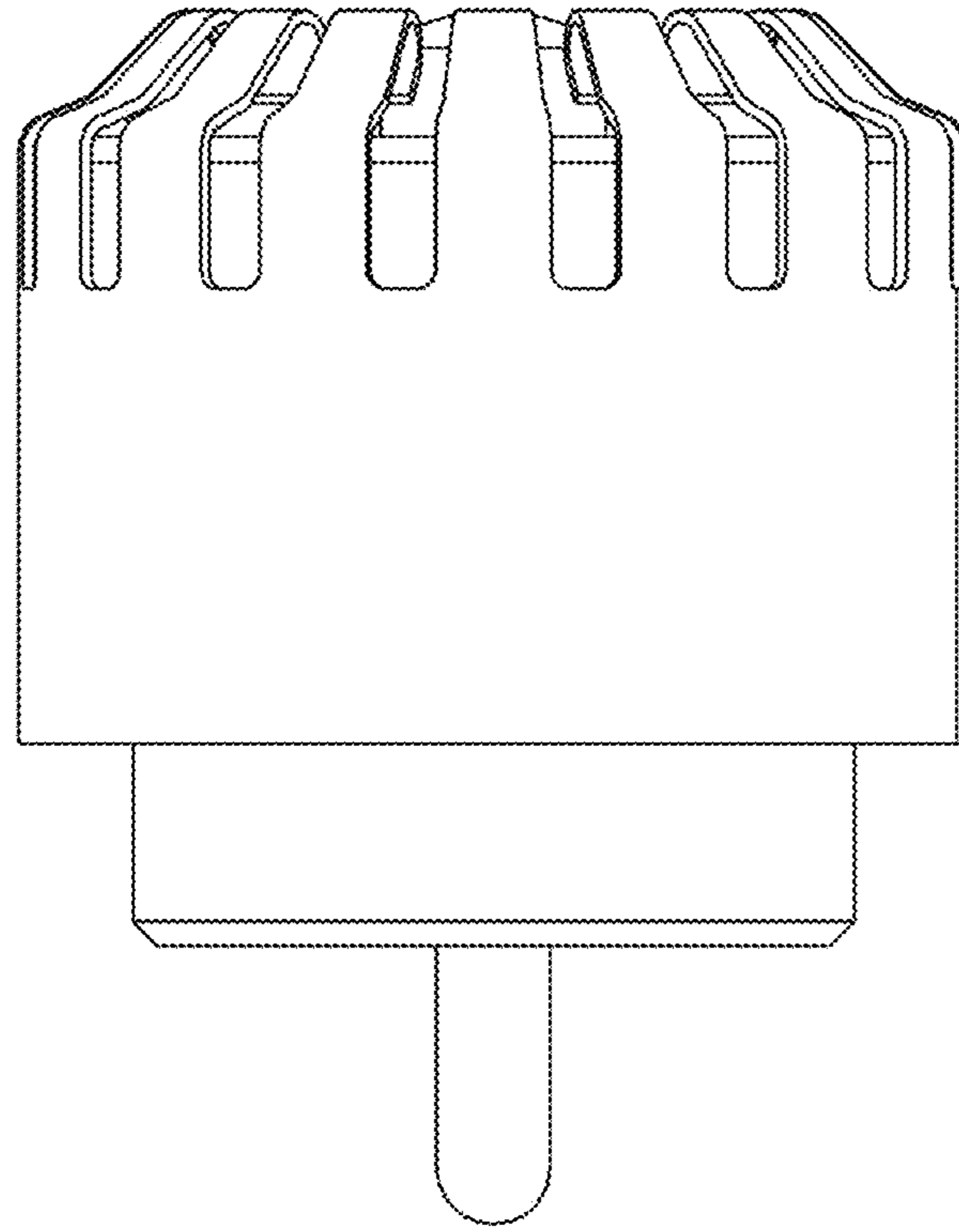


FIG. 4

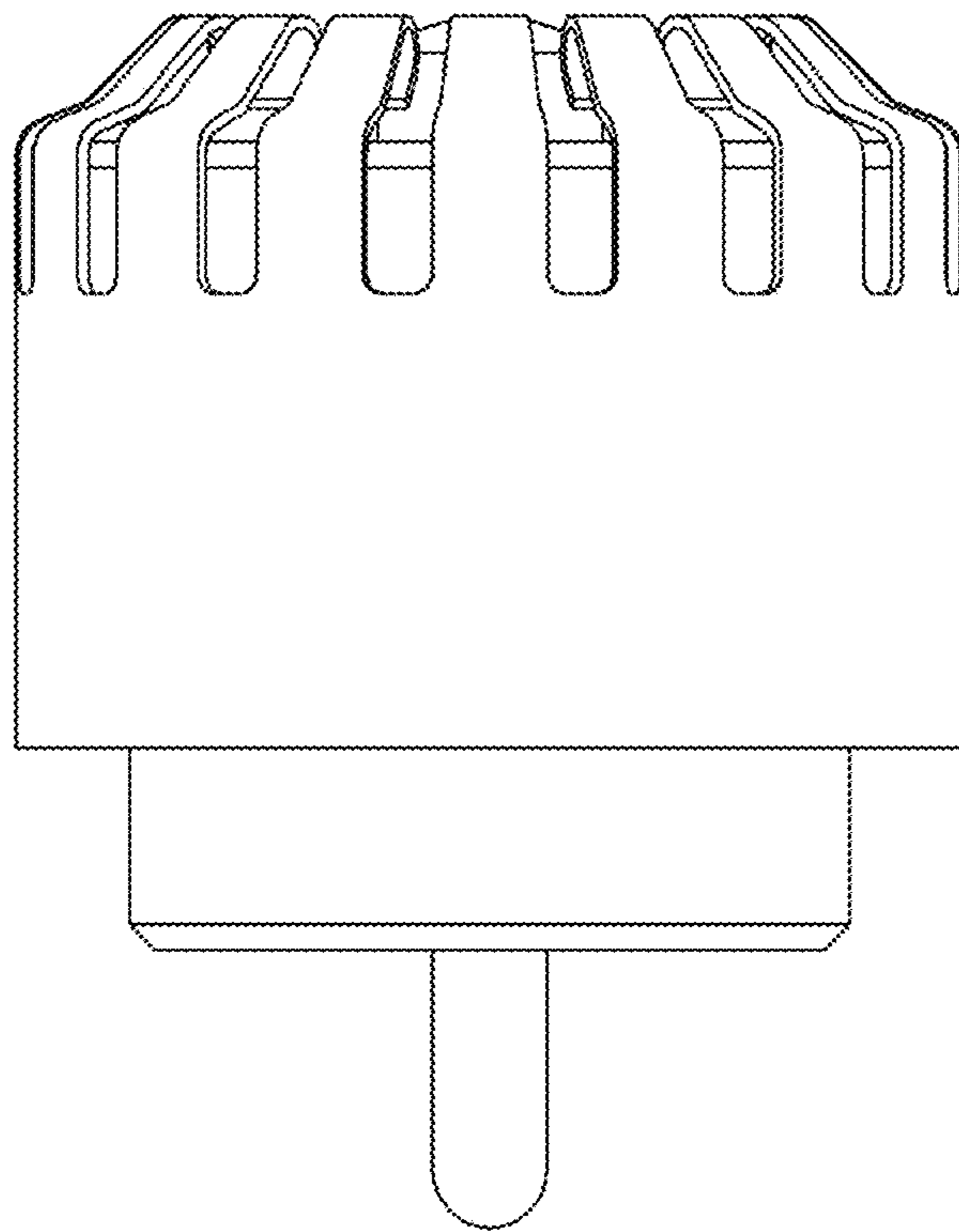


FIG. 5

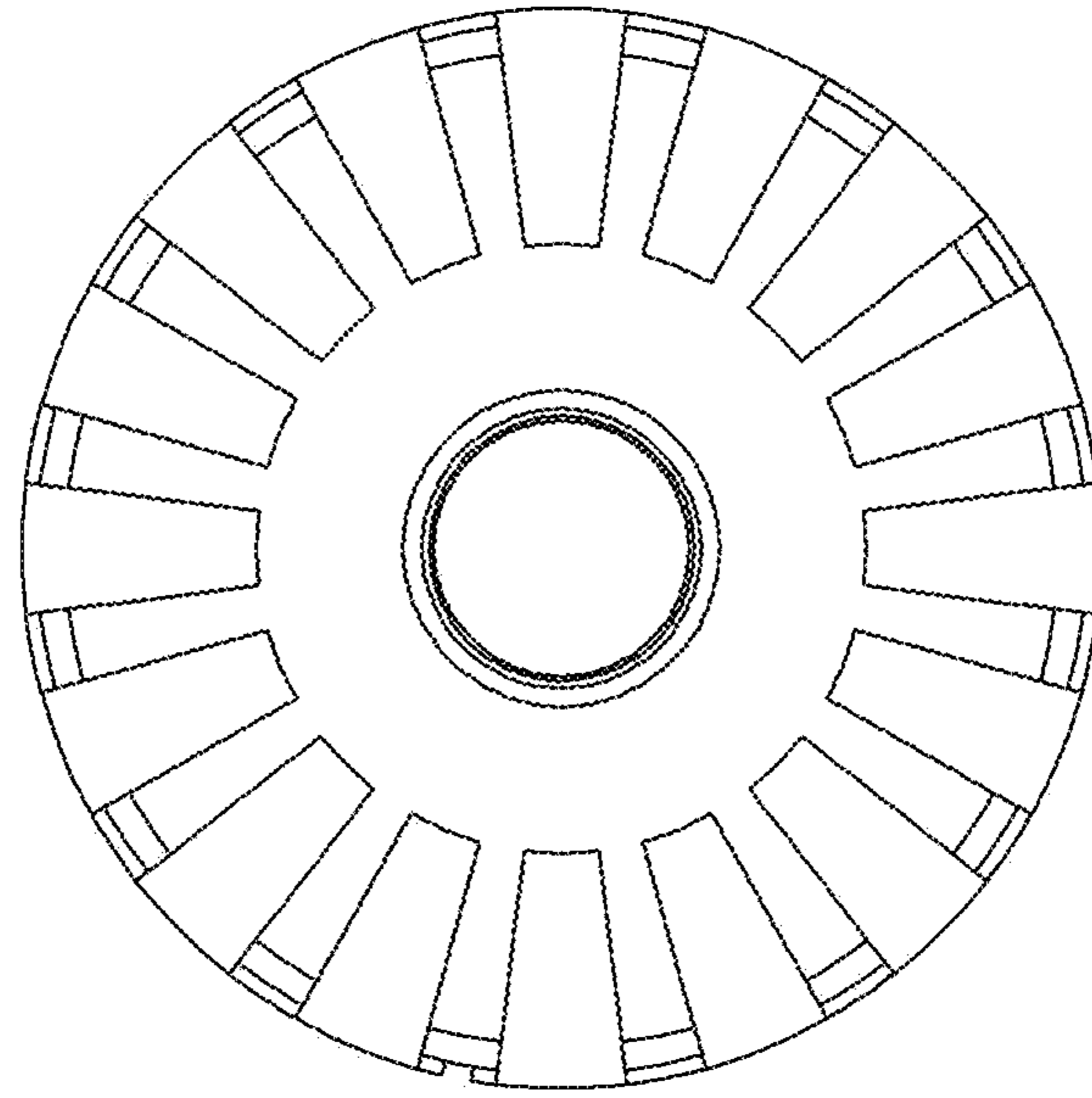


FIG. 6

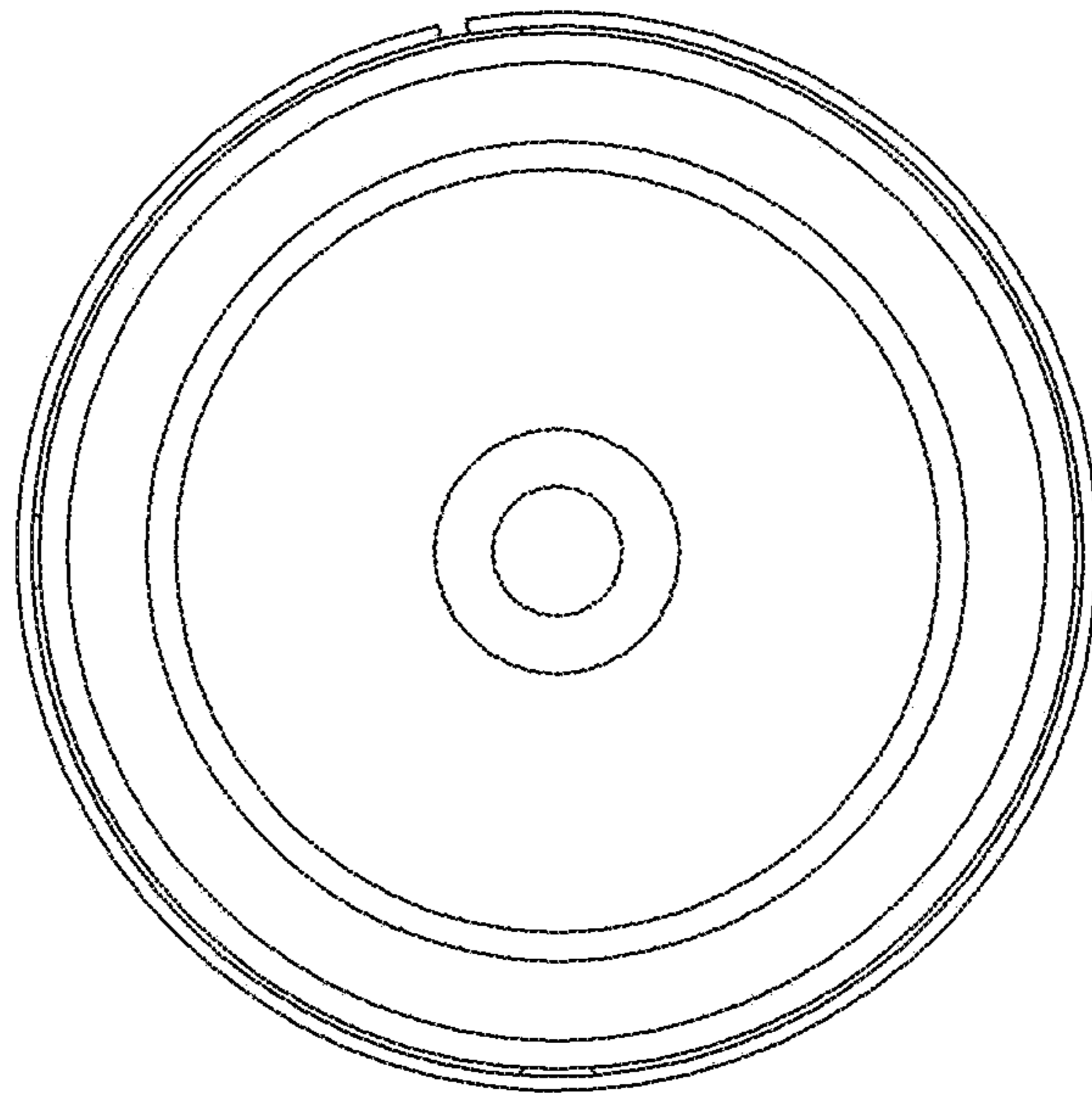


FIG. 7

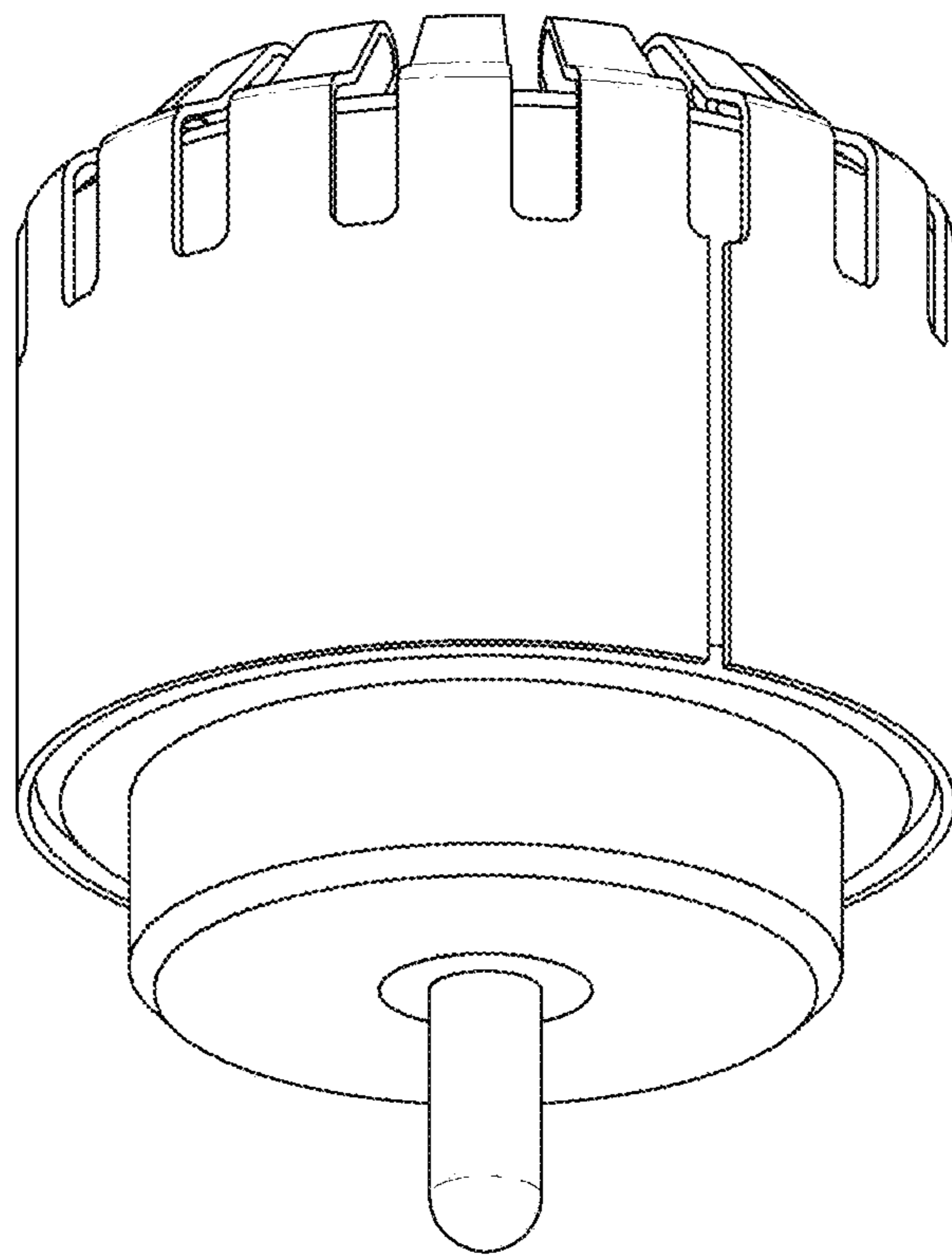


FIG. 8