



US00D926692S

(12) **United States Design Patent**
Sakai et al.

(10) **Patent No.:** **US D926,692 S**

(45) **Date of Patent:** **** Aug. 3, 2021**

(54) **ELECTRICAL CONNECTOR**

(71) Applicants: **Tyco Electronics Japan G.K.**,
Kawasaki (JP); **Tyco Electronics**
(Shanghai) Co., Ltd., Shanghai (CN)

(72) Inventors: **Ken Sakai**, Kawasaki (JP);
Ramachandra Pai B. Rajendra,
Shanghai (CN); **Yulin Feng**, Shanghai
(CN); **Lei Pan**, Shanghai (CN); **Tian**
Xia, Shanghai (CN)

(73) Assignees: **Tyco Electronics Japan G.K.**,
Kawasaki (JP); **Tyco Electronics**
(Shanghai) Co., Ltd., Shanghai (CN)

(**) Term: **15 Years**

(21) Appl. No.: **29/702,105**

(22) Filed: **Aug. 16, 2019**

(30) **Foreign Application Priority Data**

Feb. 18, 2019 (CN) 201930066610.5

(51) **LOC (13) Cl.** **13-03**

(52) **U.S. Cl.**
USPC **D13/133; D13/147**

(58) **Field of Classification Search**
USPC D13/103, 107, 108, 118–121, 123, 133,
D13/145–147, 149, 151, 153, 154, 173,
D13/184, 199
CPC H01R 4/48; H01R 12/00; H01R 13/00;
H01R 13/02; H01R 13/24; H01R
13/2471; H01R 13/40; H01R 24/00;
H01R 29/00

See application file for complete search history.

(56) **References Cited**

U.S. PATENT DOCUMENTS

D409,142 S * 5/1999 Yoshiura D13/133
D419,133 S * 1/2000 Yoshida D13/120

6,361,359 B1 * 3/2002 Du H01M 2/1022
429/97
6,540,567 B1 * 4/2003 Yeh H01R 13/2442
439/701
6,951,488 B2 * 10/2005 Hsieh H01R 13/2442
439/500
D529,443 S * 10/2006 Chien D13/147
7,115,005 B2 * 10/2006 Zhu H01R 12/58
439/862
D557,212 S * 12/2007 Huang D13/120
D561,098 S * 2/2008 Kobayashi D13/120
D562,241 S * 2/2008 Hsu D13/133

(Continued)

FOREIGN PATENT DOCUMENTS

JP 1361427 6/2009
JP 144883 8/2012

(Continued)

Primary Examiner — Shawn T Gingrich

(74) *Attorney, Agent, or Firm* — Barley Snyder

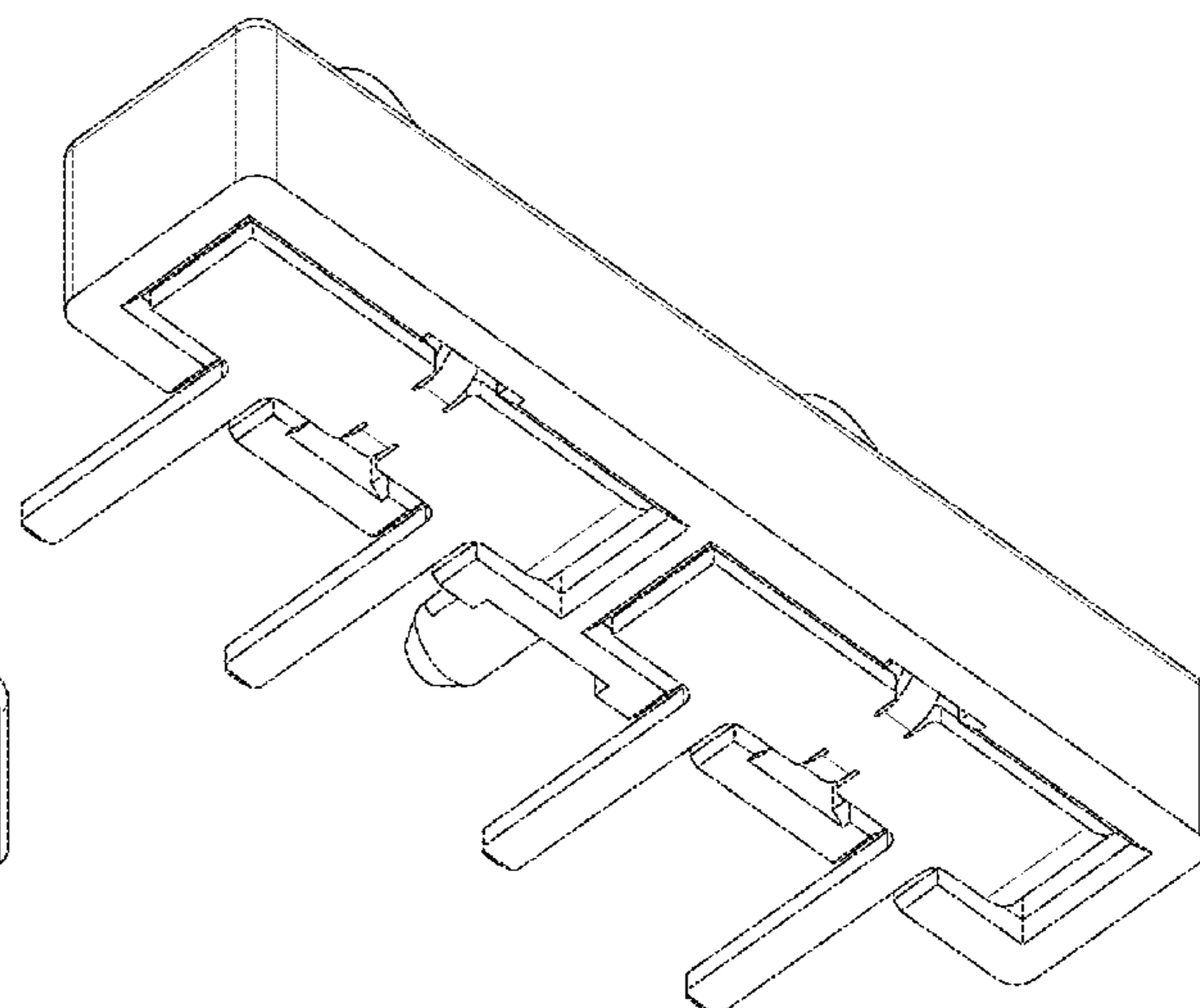
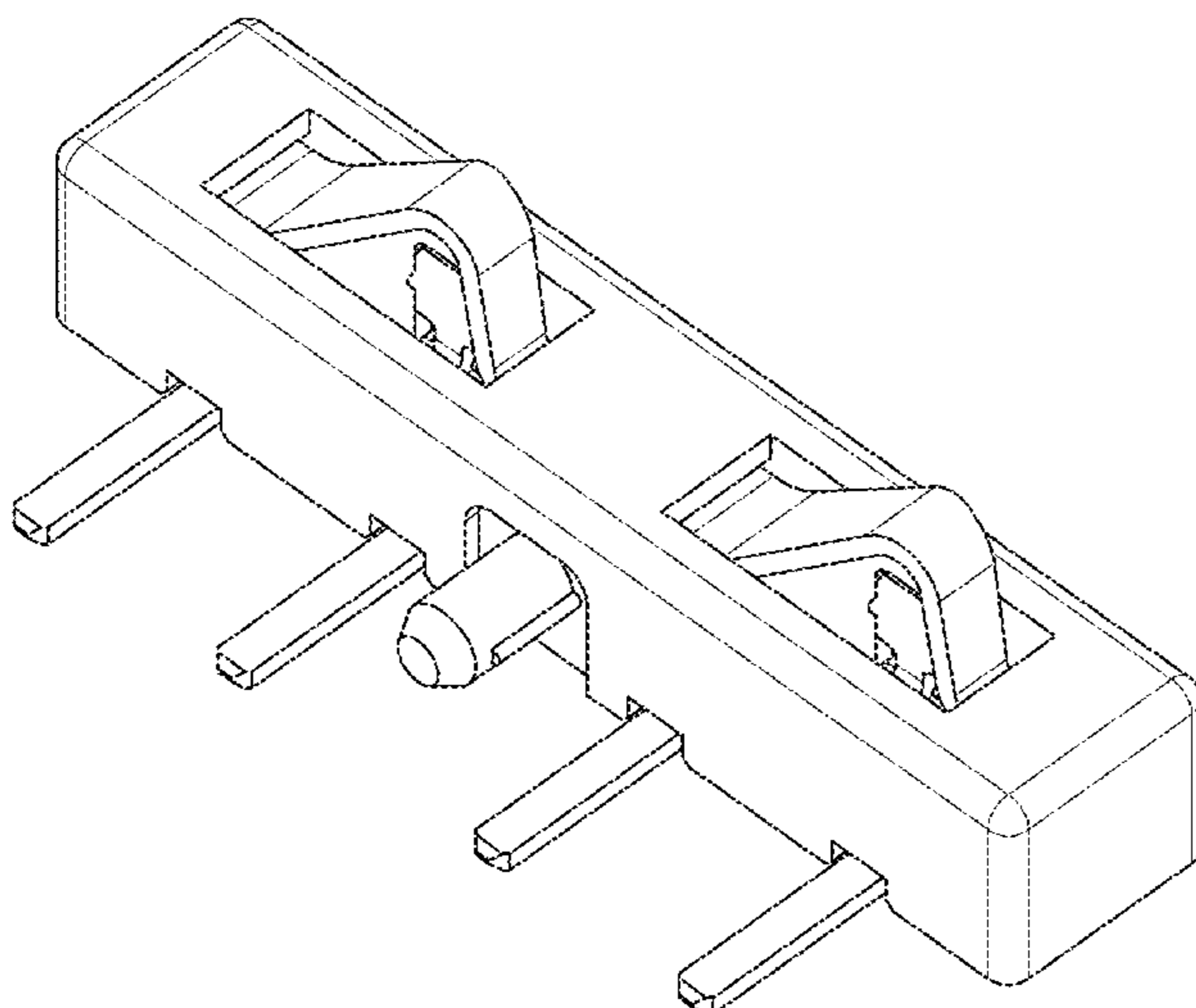
(57) **CLAIM**

The ornamental design for an electrical connector, as shown.

DESCRIPTION

FIG. 1 is a front elevation view of an electrical connector, showing the new design;
FIG. 2 is a top plan view thereof;
FIG. 3 is a rear elevation view thereof;
FIG. 4 is a right side elevation view thereof;
FIG. 5 is a left side elevation view thereof;
FIG. 6 is a bottom plan view thereof;
FIG. 7 is a front, top and right side perspective view thereof;
FIG. 8 is a rear, bottom and right side perspective view thereof; and,
FIG. 9 is a front, bottom and right side perspective view thereof.

1 Claim, 4 Drawing Sheets



(56)

References Cited

U.S. PATENT DOCUMENTS

D591,676 S * 5/2009 Hung D13/120
D602,863 S * 10/2009 Ho D13/120
D602,865 S * 10/2009 Zhang D13/120
7,628,660 B2 * 12/2009 Ma H01R 12/7005
439/862
D617,270 S * 6/2010 Mai D13/120
8,903,459 B2 * 12/2014 Choi H04M 1/0277
455/572
2003/0190848 A1 * 10/2003 Wu H01R 12/721
439/862
2008/0081495 A1 * 4/2008 Long H01R 13/2442
439/141
2008/0153347 A1 * 6/2008 Lai H01R 13/2442
439/500
2008/0280196 A1 * 11/2008 Lai H01R 12/716
429/121
2009/0247004 A1 * 10/2009 Lou H01R 13/2442
439/500
2009/0298343 A1 * 12/2009 Wu H01R 13/2442
439/627
2010/0120291 A1 * 5/2010 Hu H01R 13/2471
439/627
2016/0226206 A1 * 8/2016 Chen H01R 24/76

FOREIGN PATENT DOCUMENTS

JP 1476319 8/2013
JP 1495592 4/2014

* cited by examiner

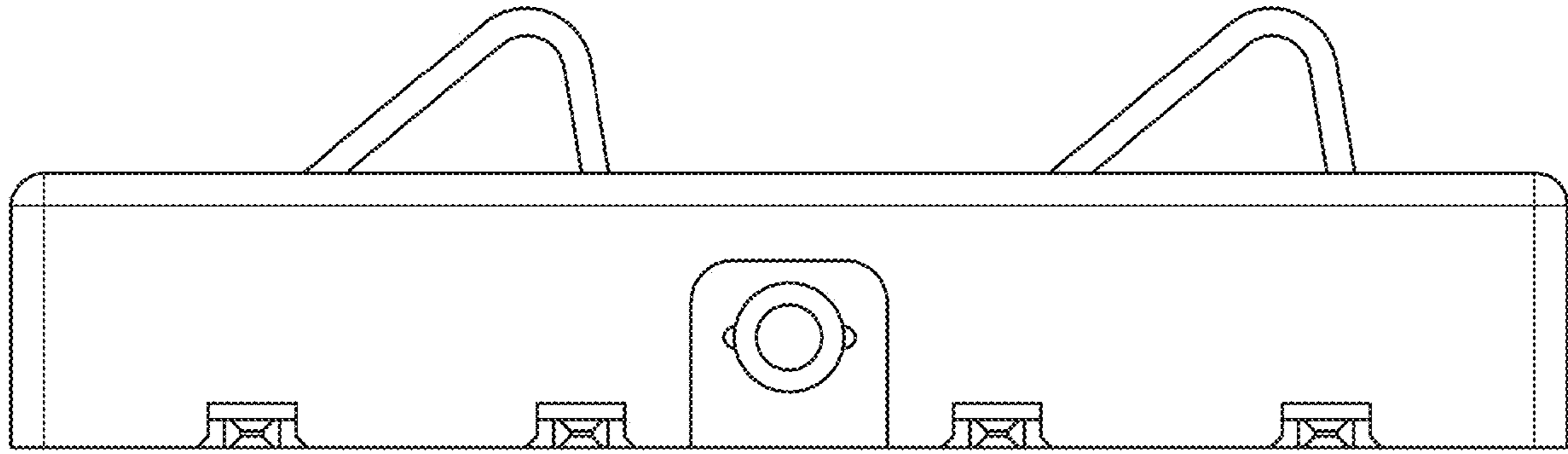


Fig. 1

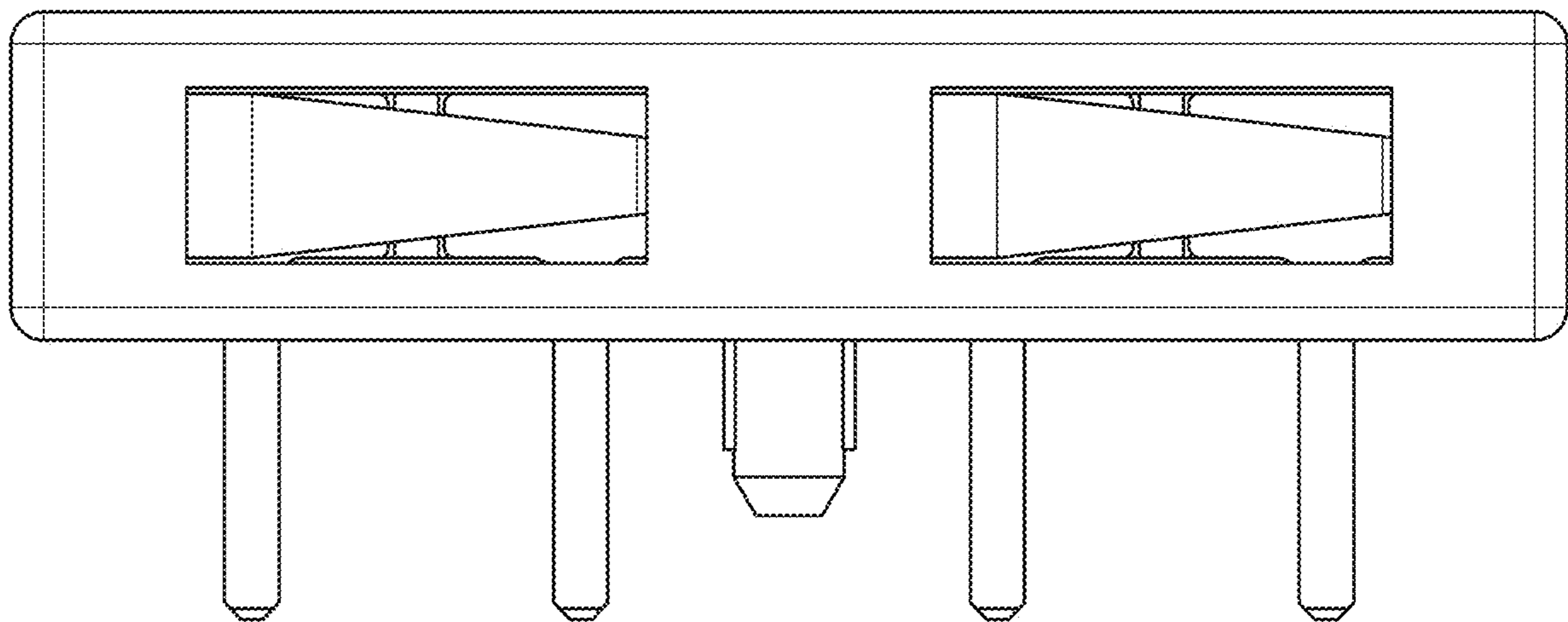


Fig. 2

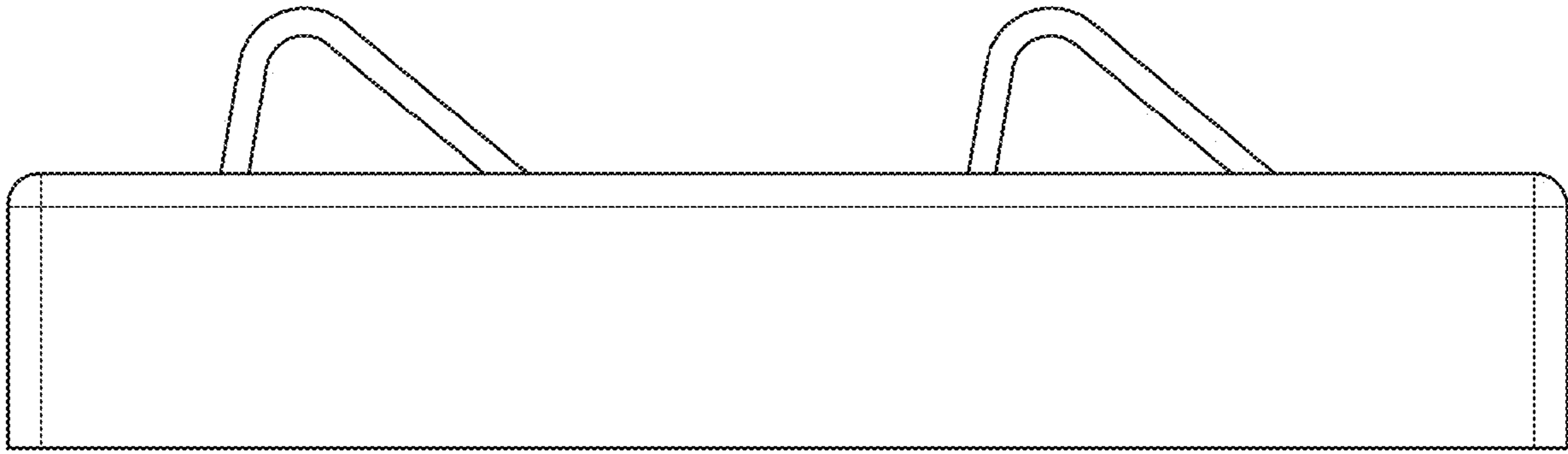


Fig. 3

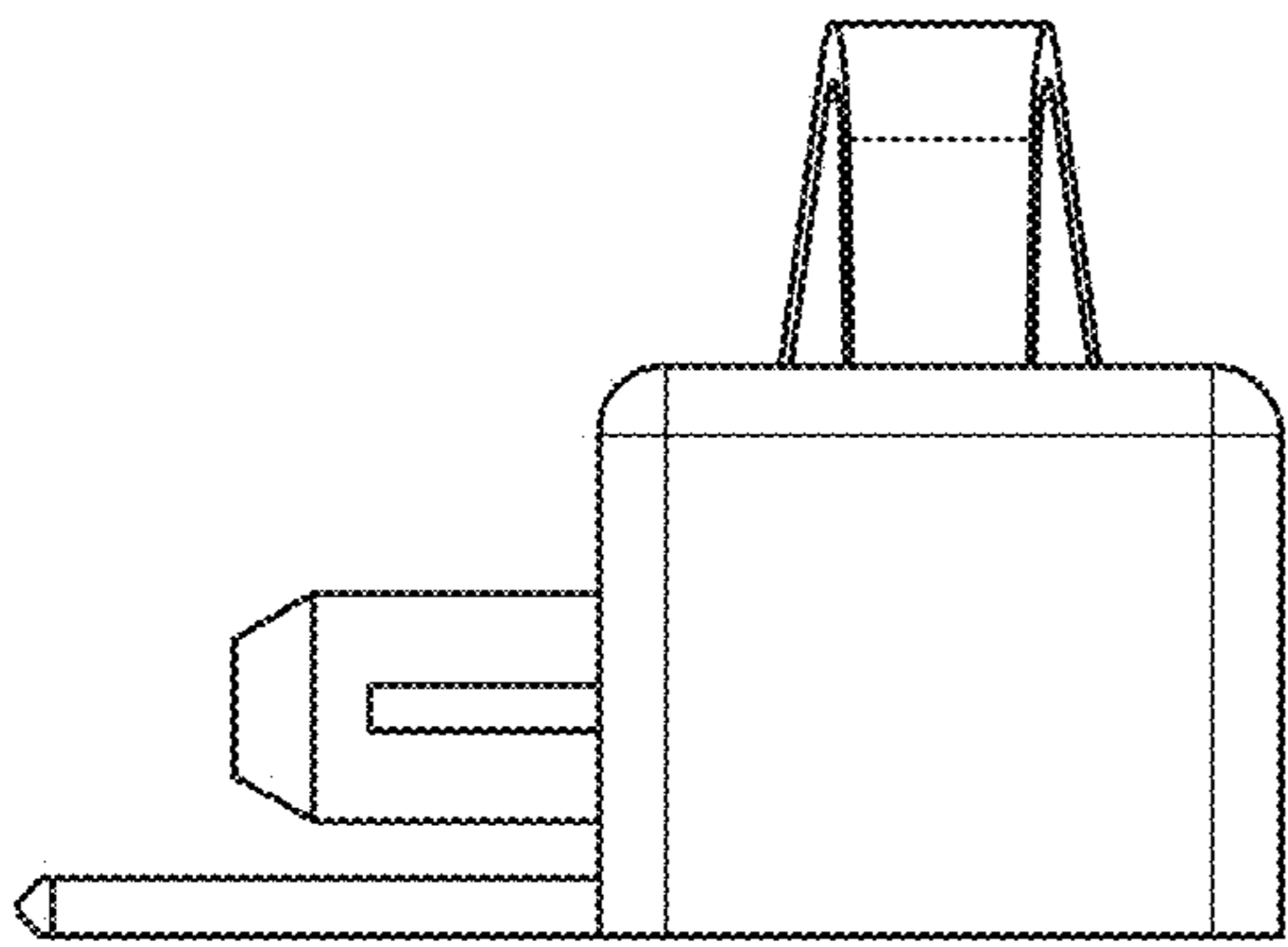


Fig. 4

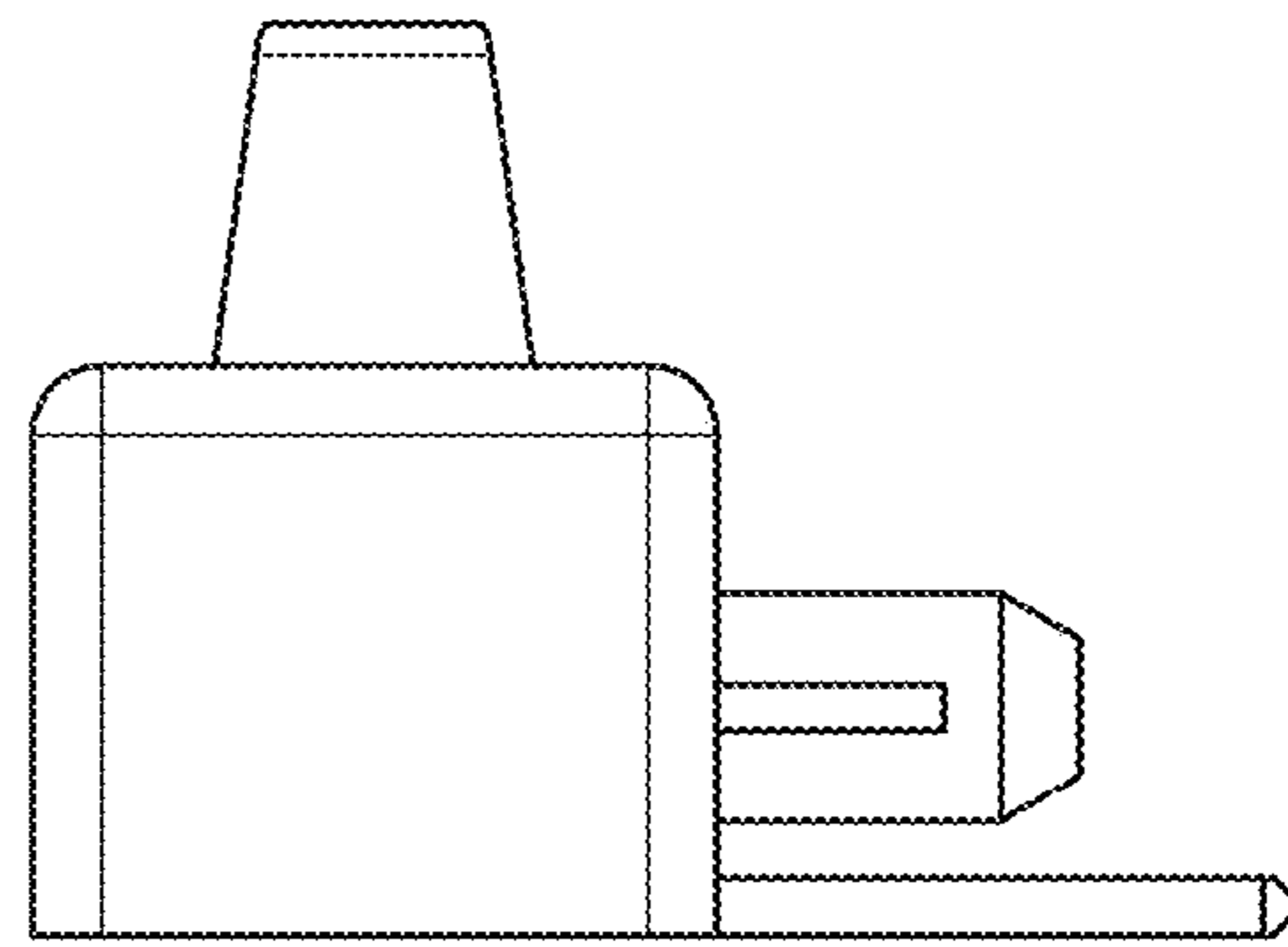


Fig. 5

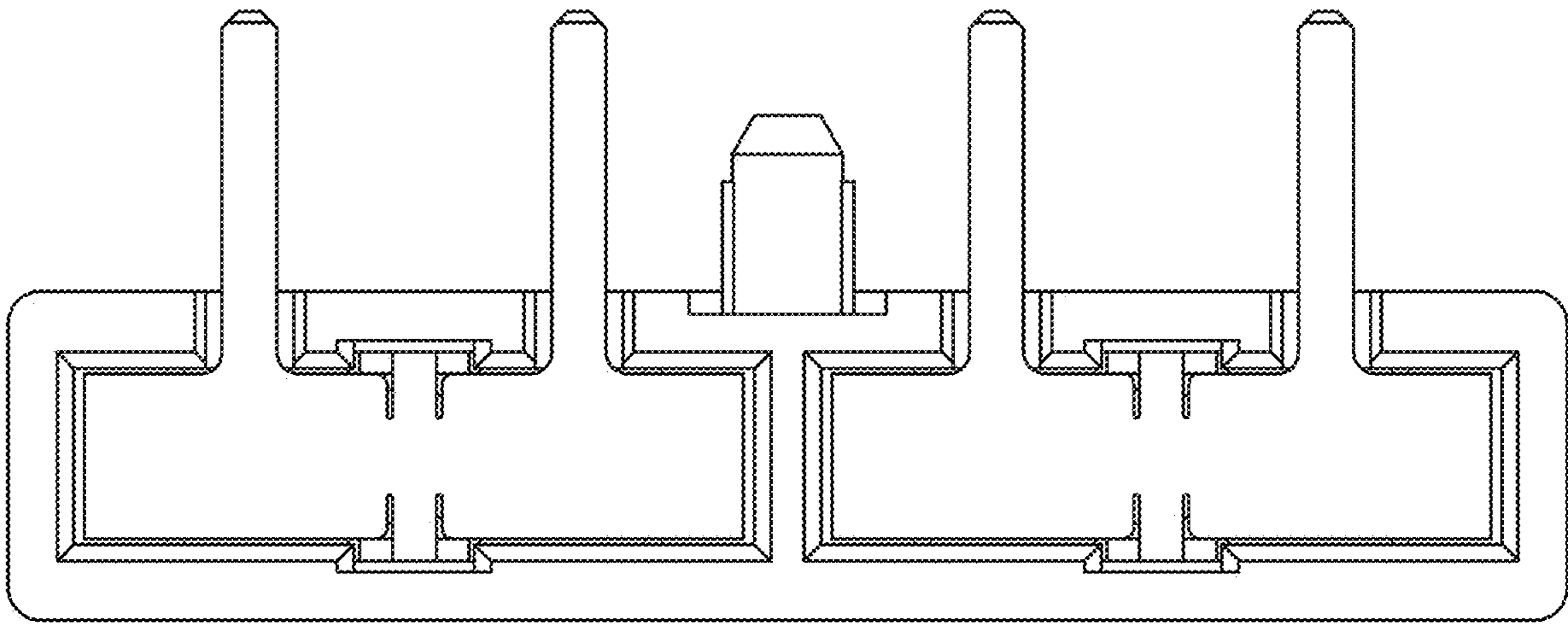


Fig. 6

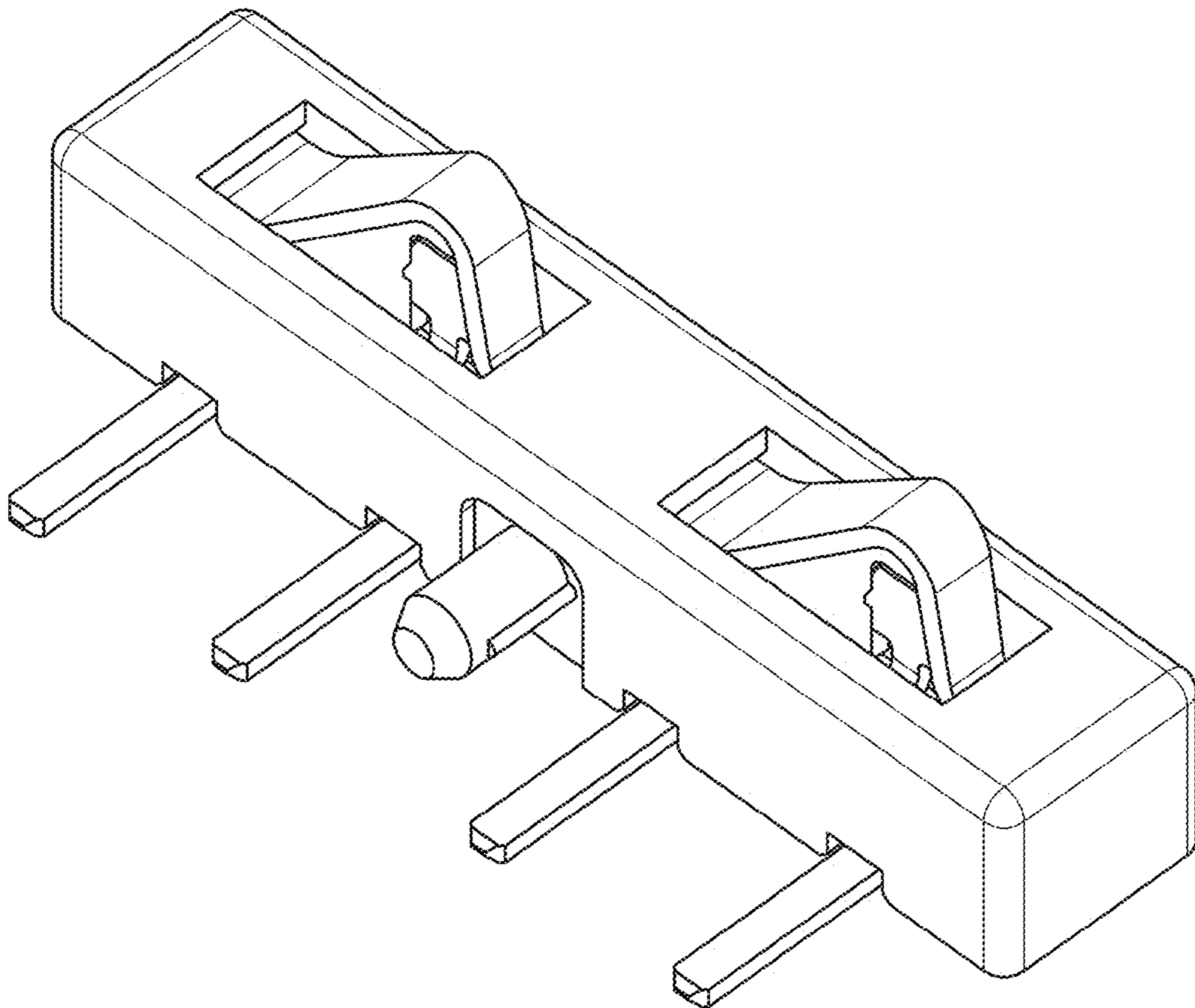


Fig. 7

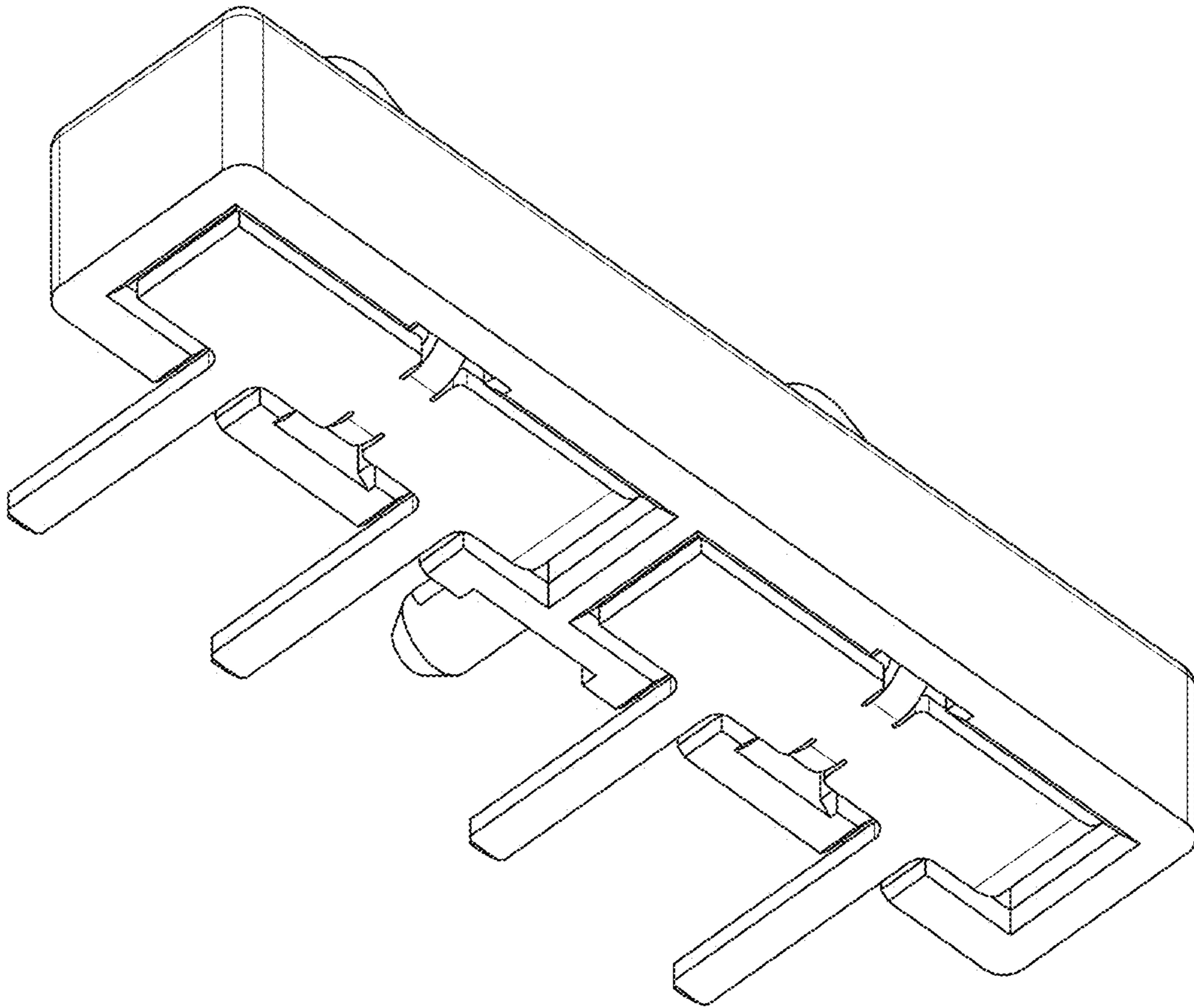


Fig. 8

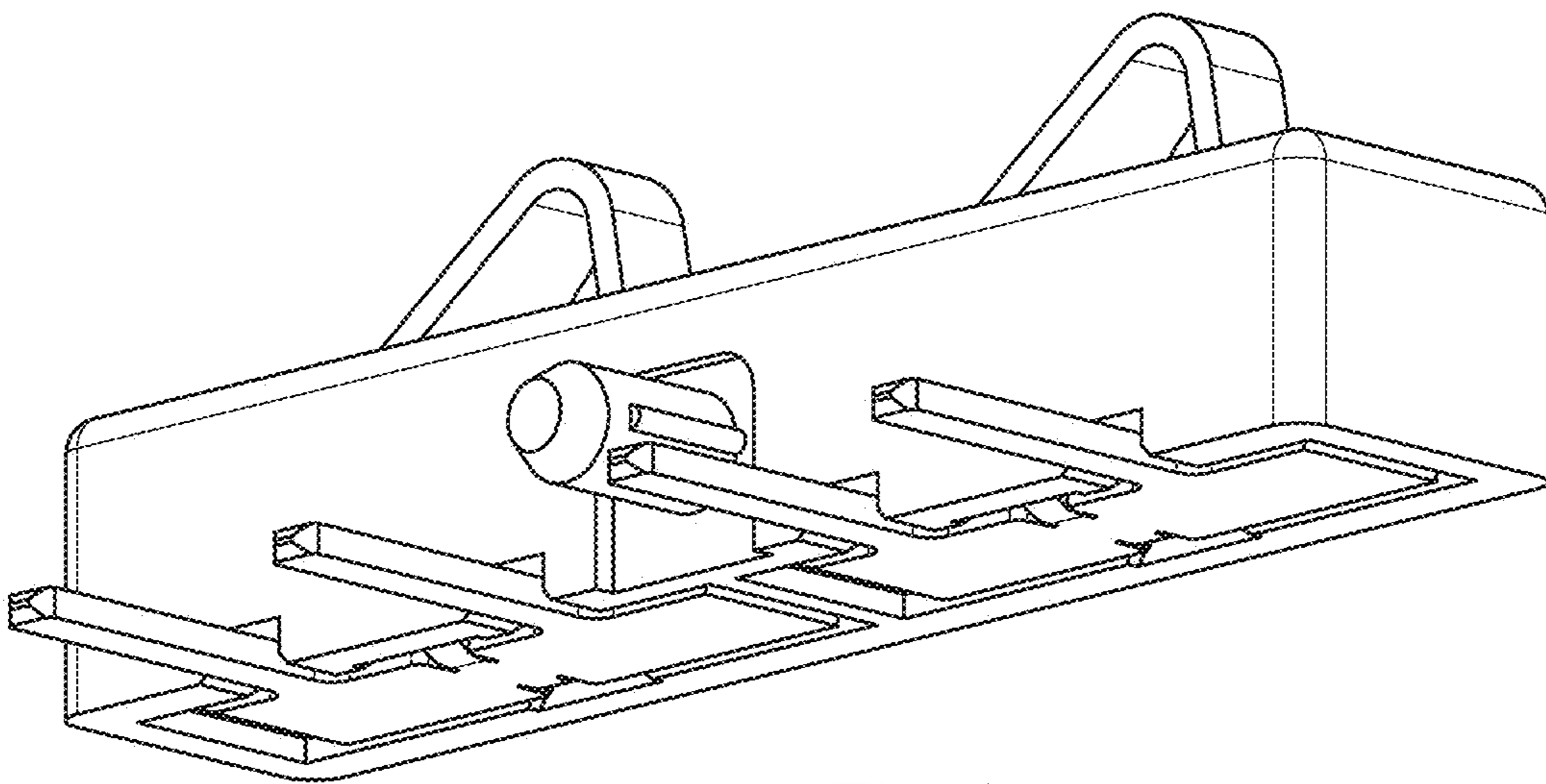


Fig. 9