



US00D926690S

(12) **United States Design Patent** (10) **Patent No.:** **US D926,690 S**
Beaven et al. (45) **Date of Patent:** **** Aug. 3, 2021**

(54) **VEHICLE CHARGING HATCH**
(71) Applicant: **Jaguar Land Rover Limited**, Coventry (GB)
(72) Inventors: **Matthew Beaven**, Coventry (GB); **Simon Tovey**, Coventry (GB)
(73) Assignee: **Jaguar Land Rover Limited**, Whitley Coventry (GB)

(**) Term: **15 Years**
(21) Appl. No.: **29/702,330**
(22) Filed: **Aug. 19, 2019**

Related U.S. Application Data

(62) Division of application No. 29/600,462, filed on Apr. 12, 2017, now Pat. No. Des. 860,944.

(30) **Foreign Application Priority Data**

Oct. 17, 2016 (EM) 003421965-0010

(51) **LOC (13) Cl.** **13-02**

(52) **U.S. Cl.**
USPC **D13/120**

(58) **Field of Classification Search**
USPC D13/103, 108, 120, 146, 151–155; D12/126, 218, 400, 415; D23/233
CPC B60L 11/18; B60R 13/04; H02G 3/14
See application file for complete search history.

(56) **References Cited**

U.S. PATENT DOCUMENTS

D629,348 S * 12/2010 Nishimoto D12/218
D786,197 S * 5/2017 Imai D13/154
D791,676 S * 7/2017 Ozawa D12/218
D860,944 S * 9/2019 Beaven D13/120
D862,390 S * 10/2019 Tomasson D13/146
D881,131 S * 4/2020 Tovey D13/146

D911,881 S * 3/2021 Lindloff B62J 25/00 D12/126
2013/0153257 A1* 6/2013 Yamamaru B62D 25/24 174/67
2013/0157485 A1* 6/2013 Yamamaru B60K 15/04 439/147
2016/0121746 A1* 5/2016 Takahashi E05B 83/34 49/242
2019/0381905 A1* 12/2019 Winkler H01R 13/7175
2020/0062111 A1* 2/2020 Wang B60K 15/04
2020/0346541 A1* 11/2020 Glickman B60K 15/05

* cited by examiner

Primary Examiner — Catherine S Posthauer

Assistant Examiner — Alison M Ofstun

(74) *Attorney, Agent, or Firm* — Wood Herron & Evans LLP

(57) **CLAIM**

The ornamental design for a vehicle charging hatch, as shown and described.

DESCRIPTION

FIG. 1 is a right front perspective view of a vehicle charging hatch according to the present invention.

FIG. 2 is a left front perspective view of the vehicle charging hatch shown in FIG. 1.

FIG. 3 is a front view thereof.

FIG. 4 is a left side view thereof.

FIG. 5 is a right side view thereof.

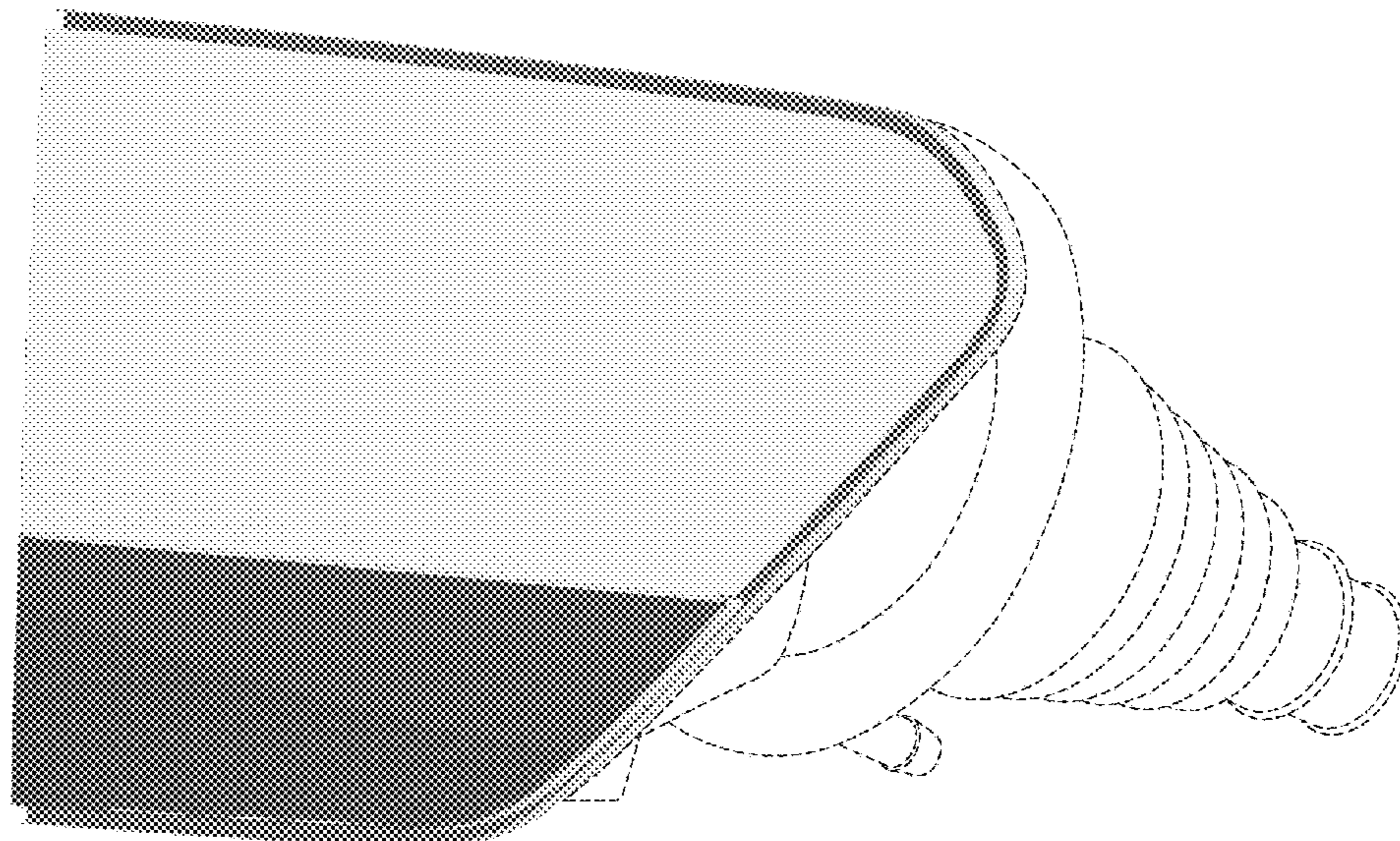
FIG. 6 is a top view thereof; and,

FIG. 7 is a front right perspective view thereof, shown in an environment of use.

The broken lines illustrate portions of the article which form no part of the claimed design. In FIG. 7 the broken lines illustrate a boundary to the claim and form no part thereof.

The vehicle shown in half-tone portions illustrates environmental subject matter and forms no part of the claimed design.

1 Claim, 7 Drawing Sheets



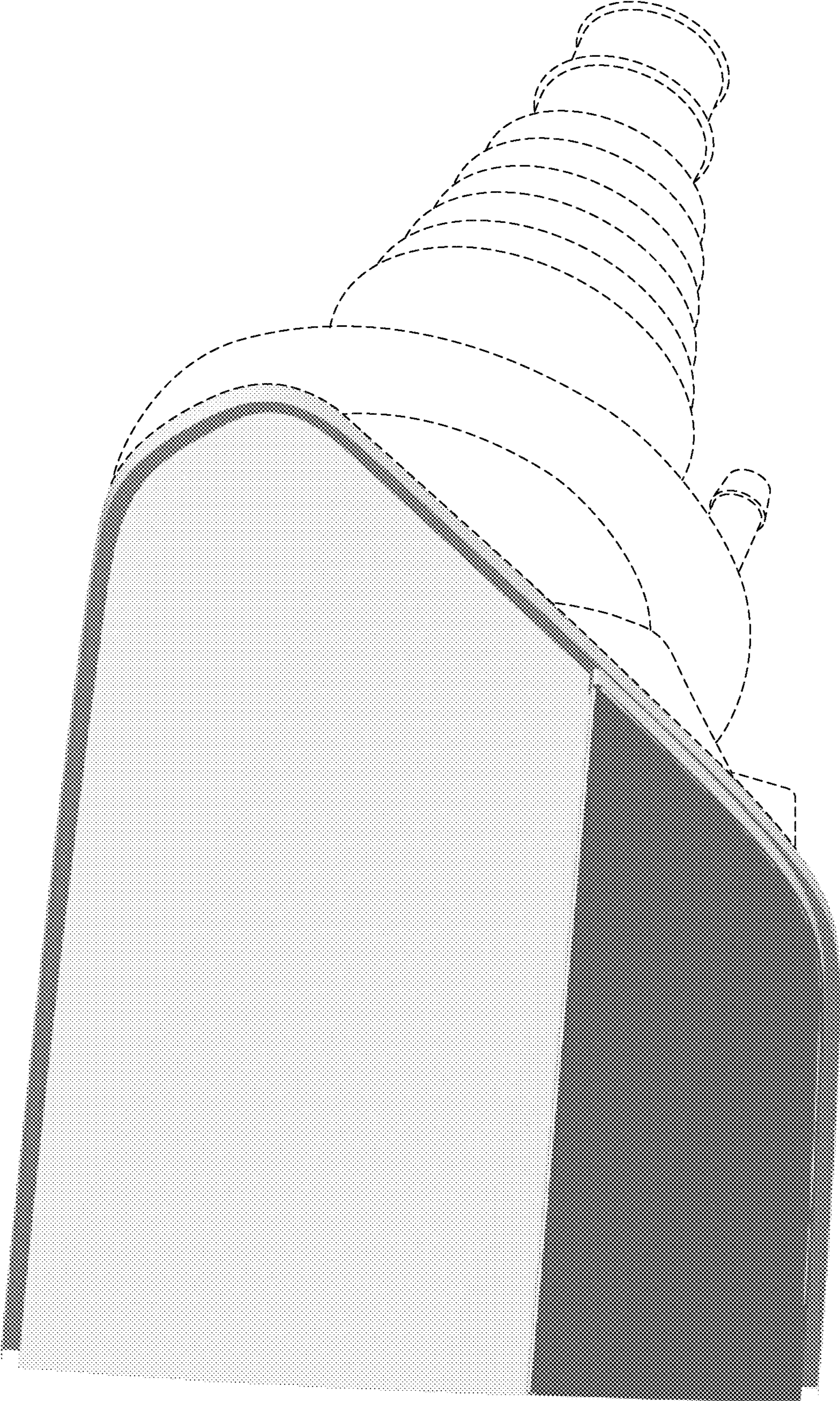


FIG. 1

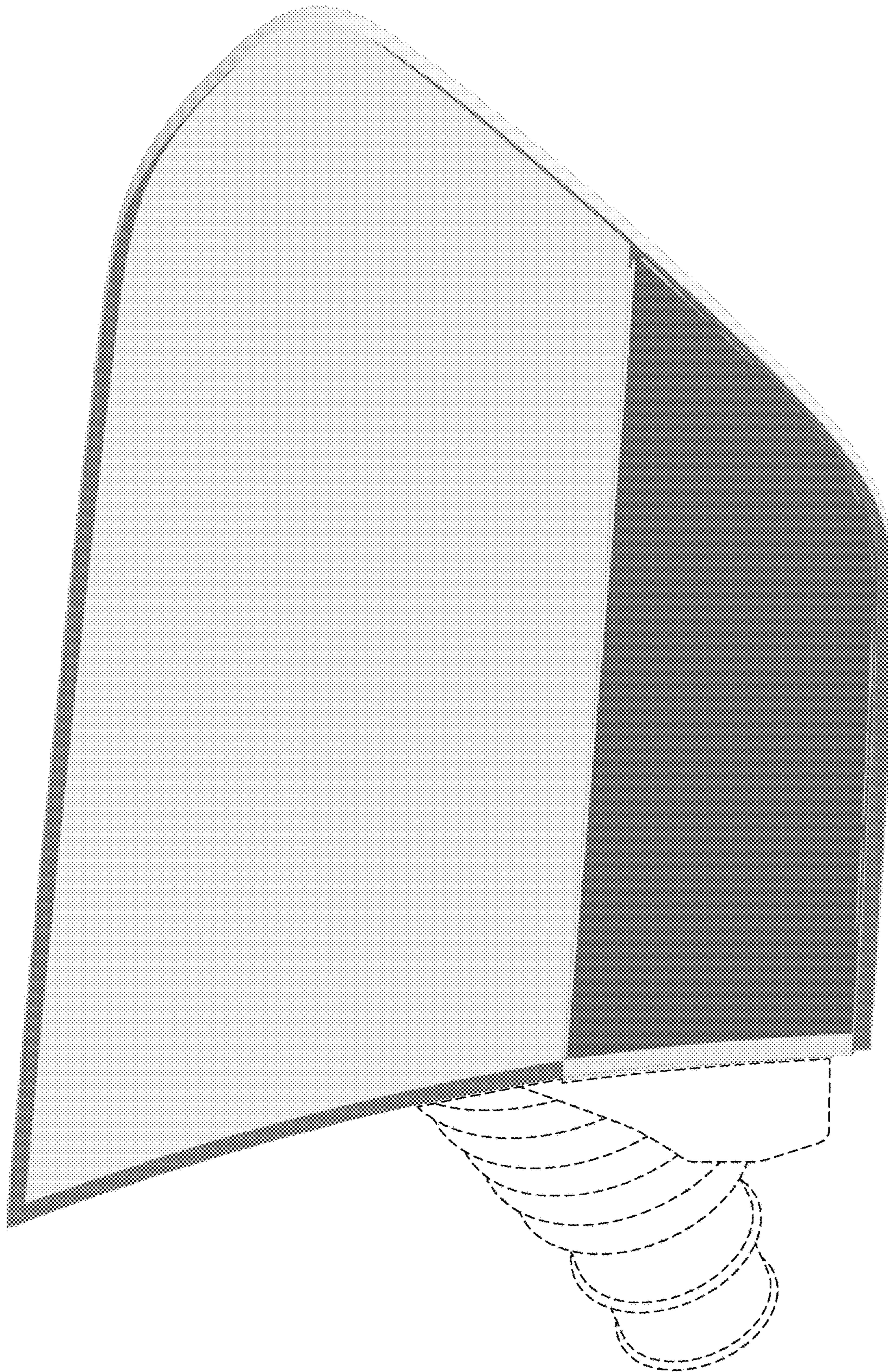


FIG. 2

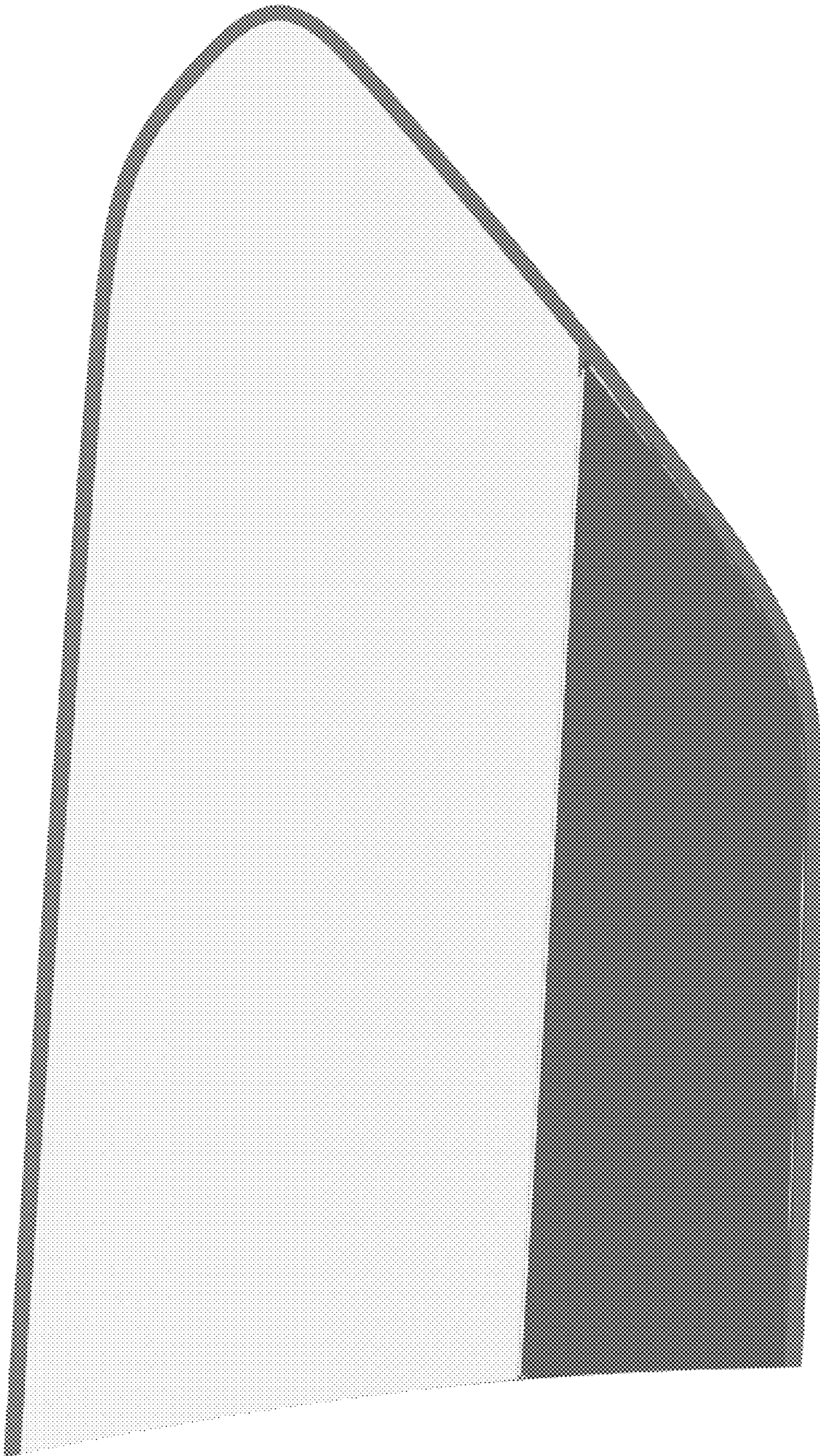


FIG. 3

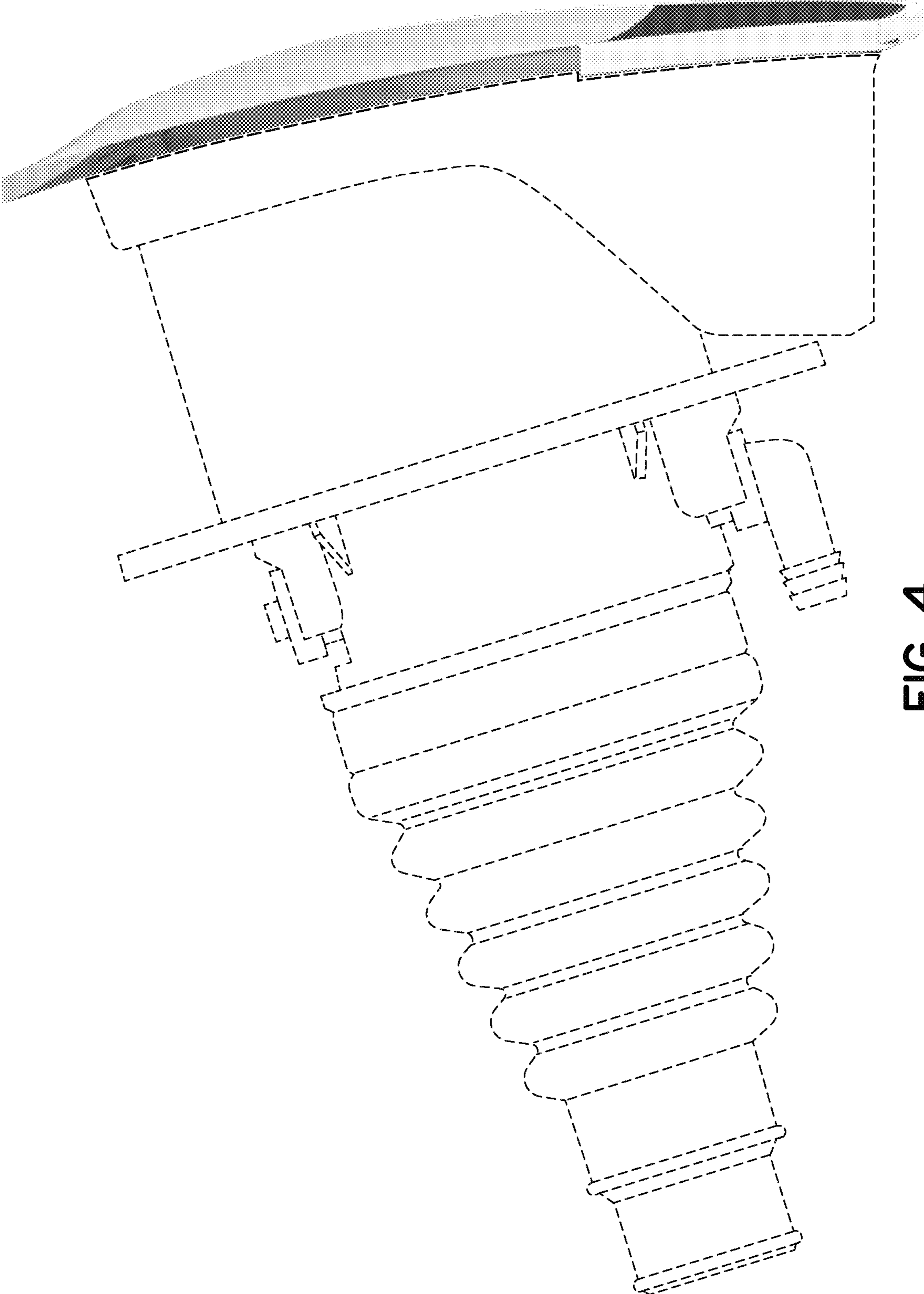


FIG. 4

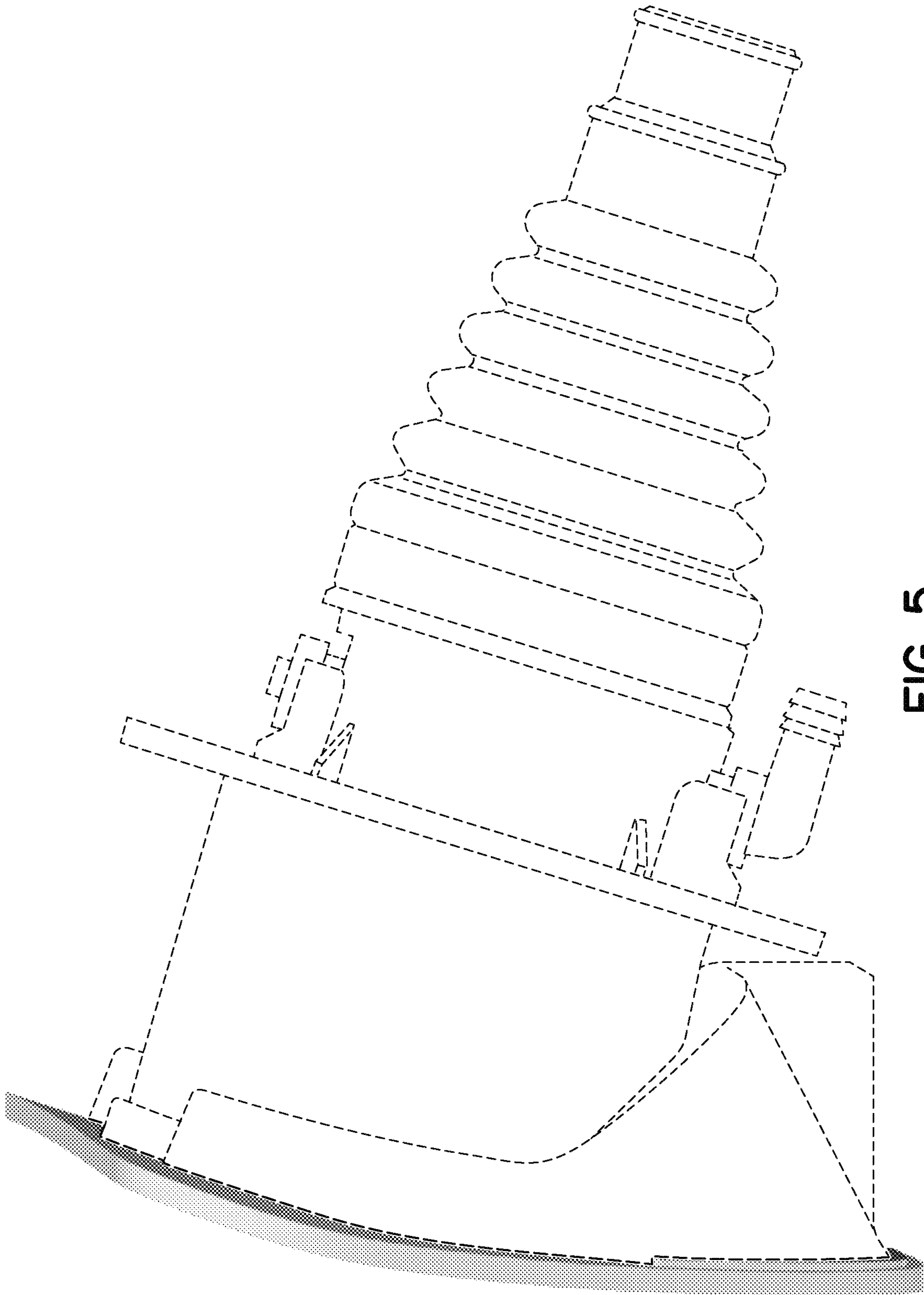


FIG. 5

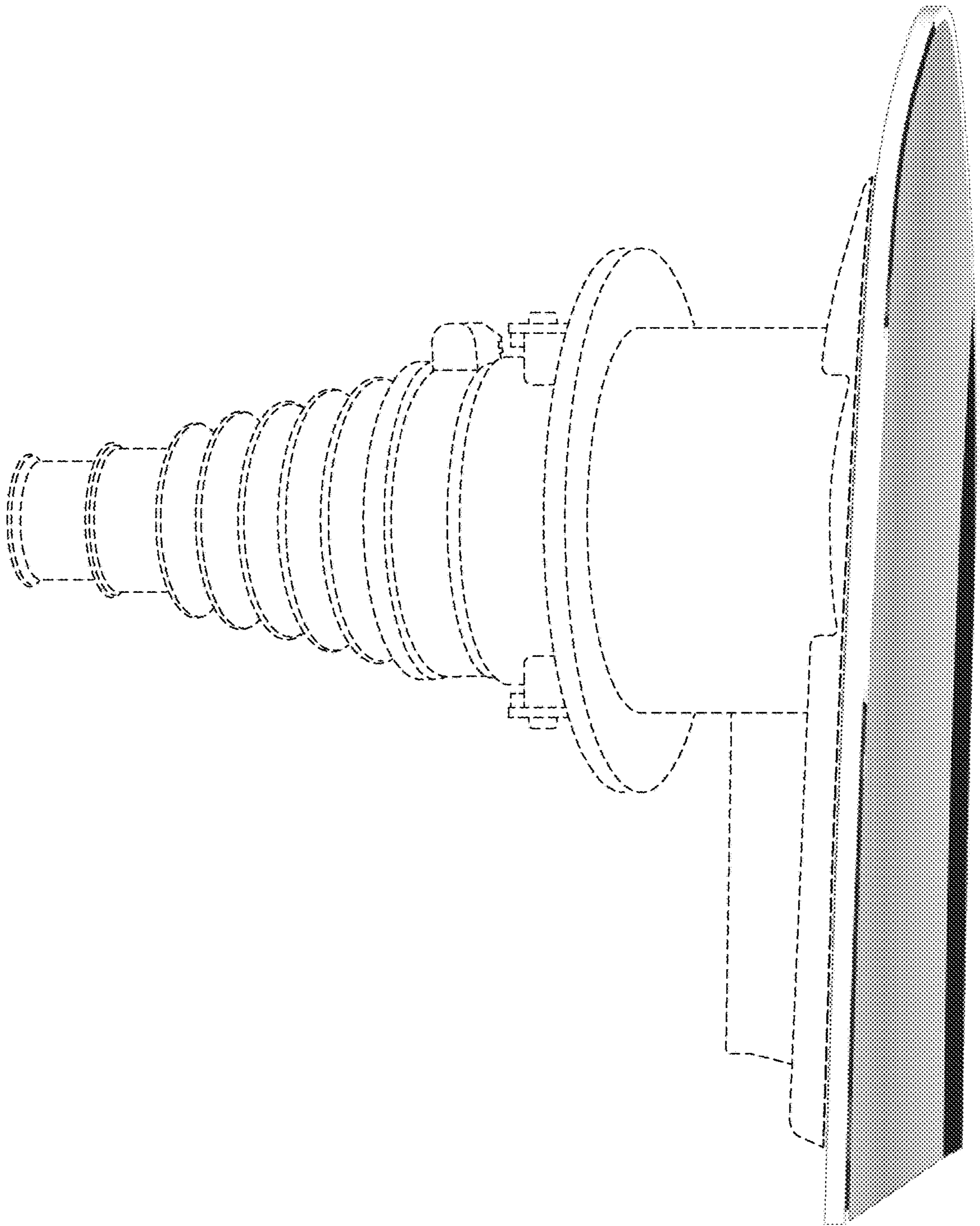


FIG. 6

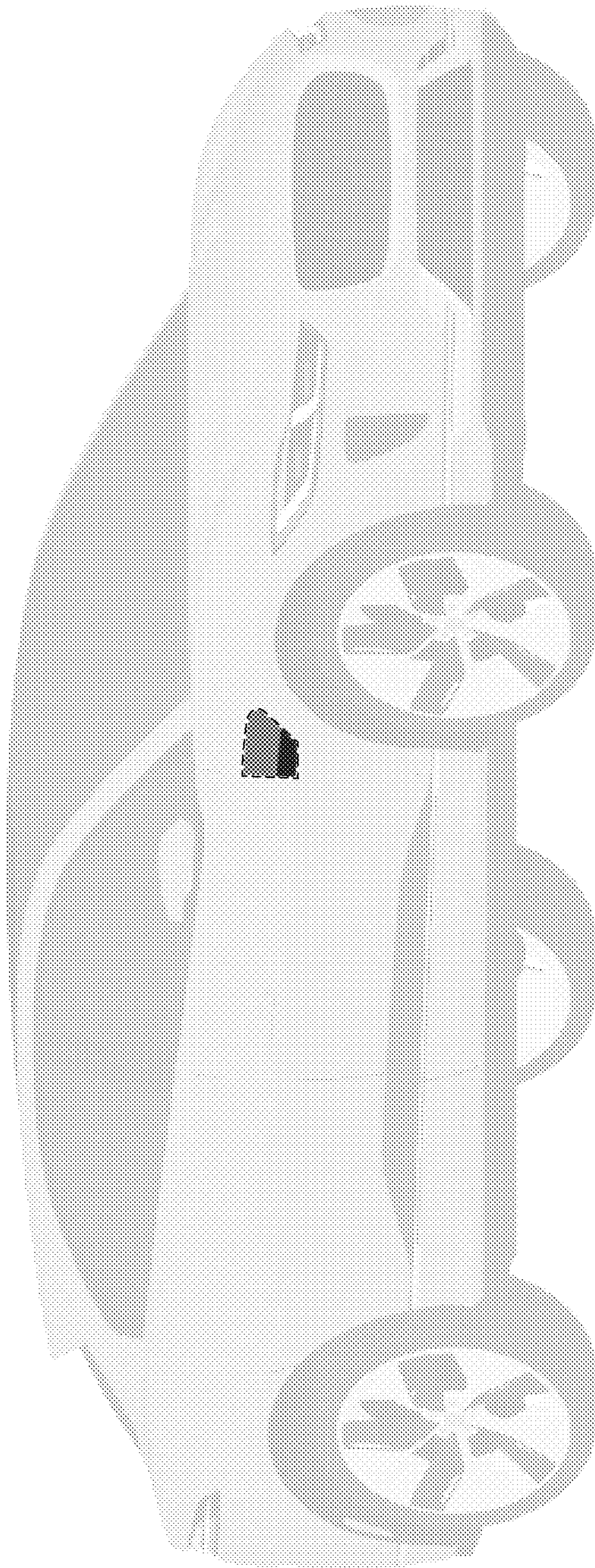


FIG. 7