



US00D926689S

(12) **United States Design Patent**  
**Gu**

(10) **Patent No.:** **US D926,689 S**

(45) **Date of Patent:** **\*\* Aug. 3, 2021**

(54) **BATTERY TERMINAL CLAMP**  
(71) Applicant: **E-XTEQ Europe,**  
Saint-Germain-de-la-Grange (FR)

(72) Inventor: **Cindy Gu,** Shanghai (CN)

(73) Assignee: **E-XTEQ Europe,**  
Saint-Germain-de-la-Grange (FR)

(\*\*) Term: **15 Years**

(21) Appl. No.: **29/694,488**

(22) Filed: **Jun. 11, 2019**

(51) **LOC (13) Cl.** ..... **13-02**

(52) **U.S. Cl.**  
USPC ..... **D13/120**

(58) **Field of Classification Search**  
USPC ..... D13/118, 119, 120, 103, 151, 199;  
D12/223  
CPC ..... H01R 11/24; H01R 11/281; H01R 11/283  
See application file for complete search history.

(56) **References Cited**

**U.S. PATENT DOCUMENTS**

- 4,057,313 A \* 11/1977 Polizzano ..... H01R 11/18  
439/219
- D258,818 S \* 4/1981 Johnson ..... D13/120
- 4,565,414 A \* 1/1986 French ..... H01R 11/24  
439/241
- D346,149 S \* 4/1994 Deering ..... D13/120
- 5,435,759 A \* 7/1995 Adams ..... H01R 11/24  
439/577
- D649,116 S \* 11/2011 Nakatsuka ..... D13/120

- D689,020 S \* 9/2013 Demirjian ..... D13/120
- D794,565 S \* 8/2017 Vetu ..... D13/120
- D830,302 S \* 10/2018 Toscani ..... D13/120
- D889,411 S \* 7/2020 Wang ..... D13/120

\* cited by examiner

*Primary Examiner* — Jennifer O King

(74) *Attorney, Agent, or Firm* — Young Basile Hanlon & MacFarlane, P.C.

(57) **CLAIM**

The ornamental design for a battery terminal clamp, as shown and described.

**DESCRIPTION**

FIG. 1 is front elevation view of the battery terminal clamp in a closed position.

FIG. 2 is rear elevation view of the battery terminal clamp of FIG. 1.

FIG. 3 is right side elevation view of the battery terminal clamp of FIG. 1.

FIG. 4 is a left side elevation view of the battery terminal clamp of FIG. 1.

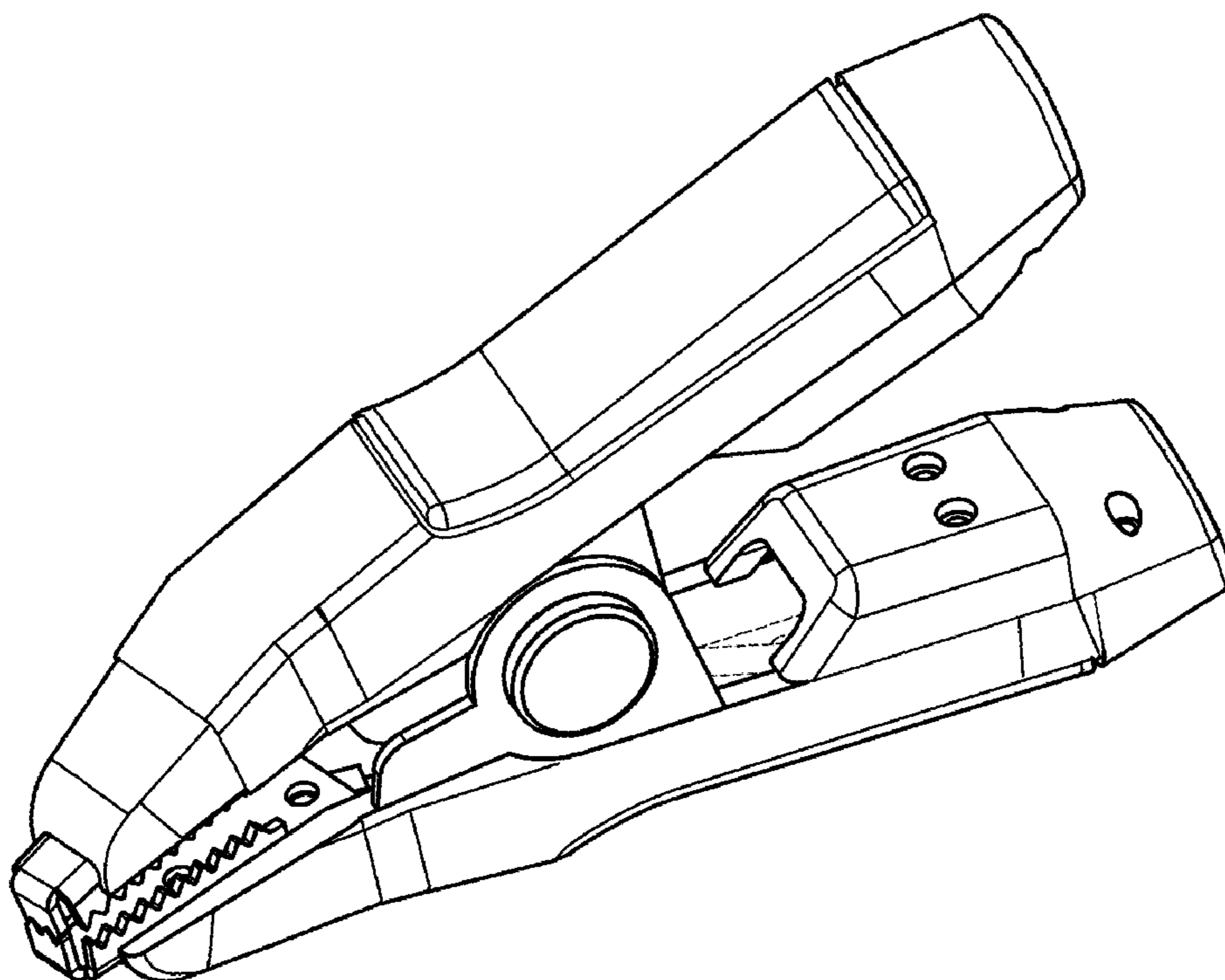
FIG. 5 top view of the battery terminal clamp of FIG. 1.

FIG. 6 is a bottom view of the battery terminal clamp of FIG. 1; and,

FIG. 7 is an upper, rear, right perspective view of the battery terminal clamp of FIG. 1.

The broken lines shown represent portions of the battery terminal clamp that form no part of the claimed design.

**1 Claim, 3 Drawing Sheets**



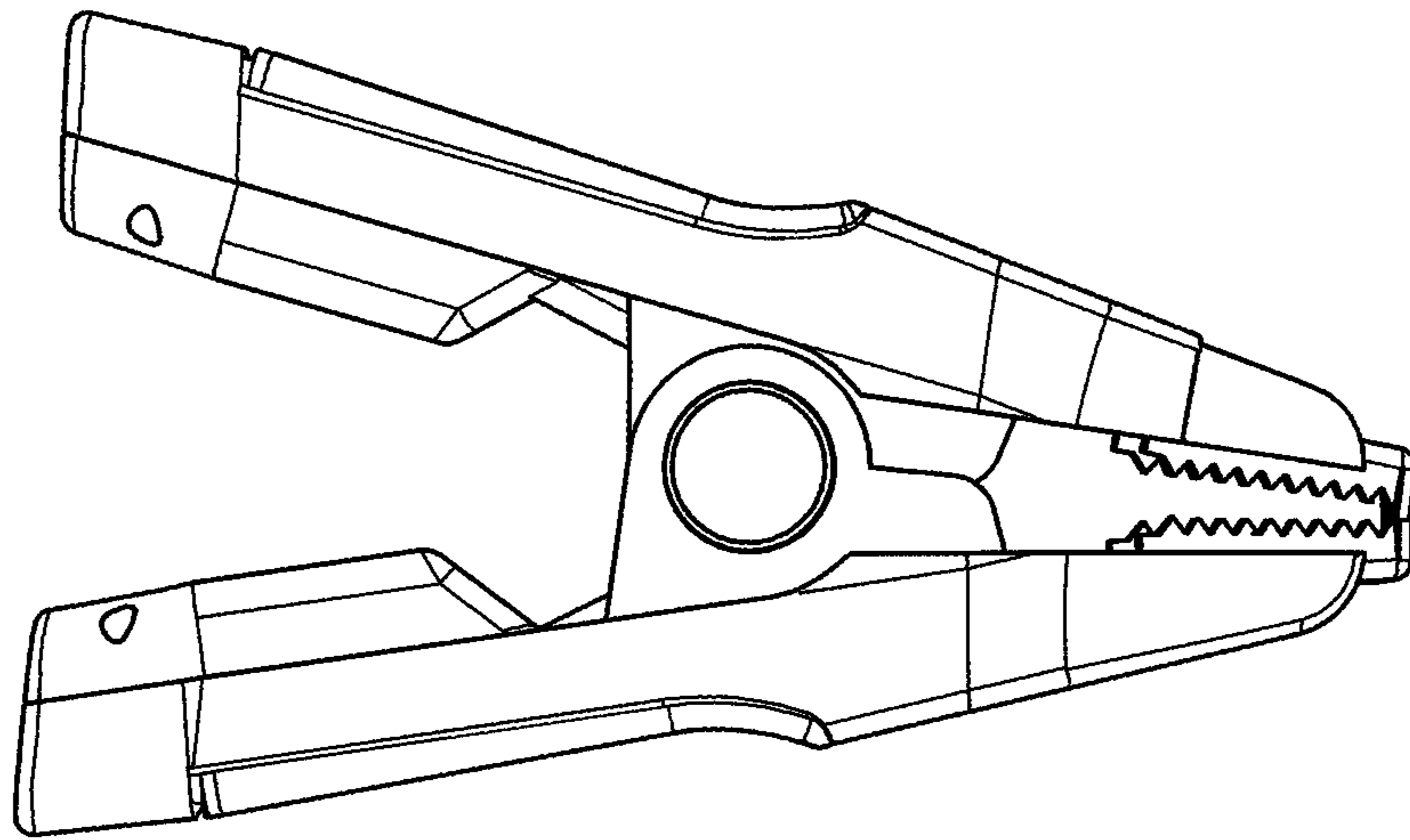


FIG. 1

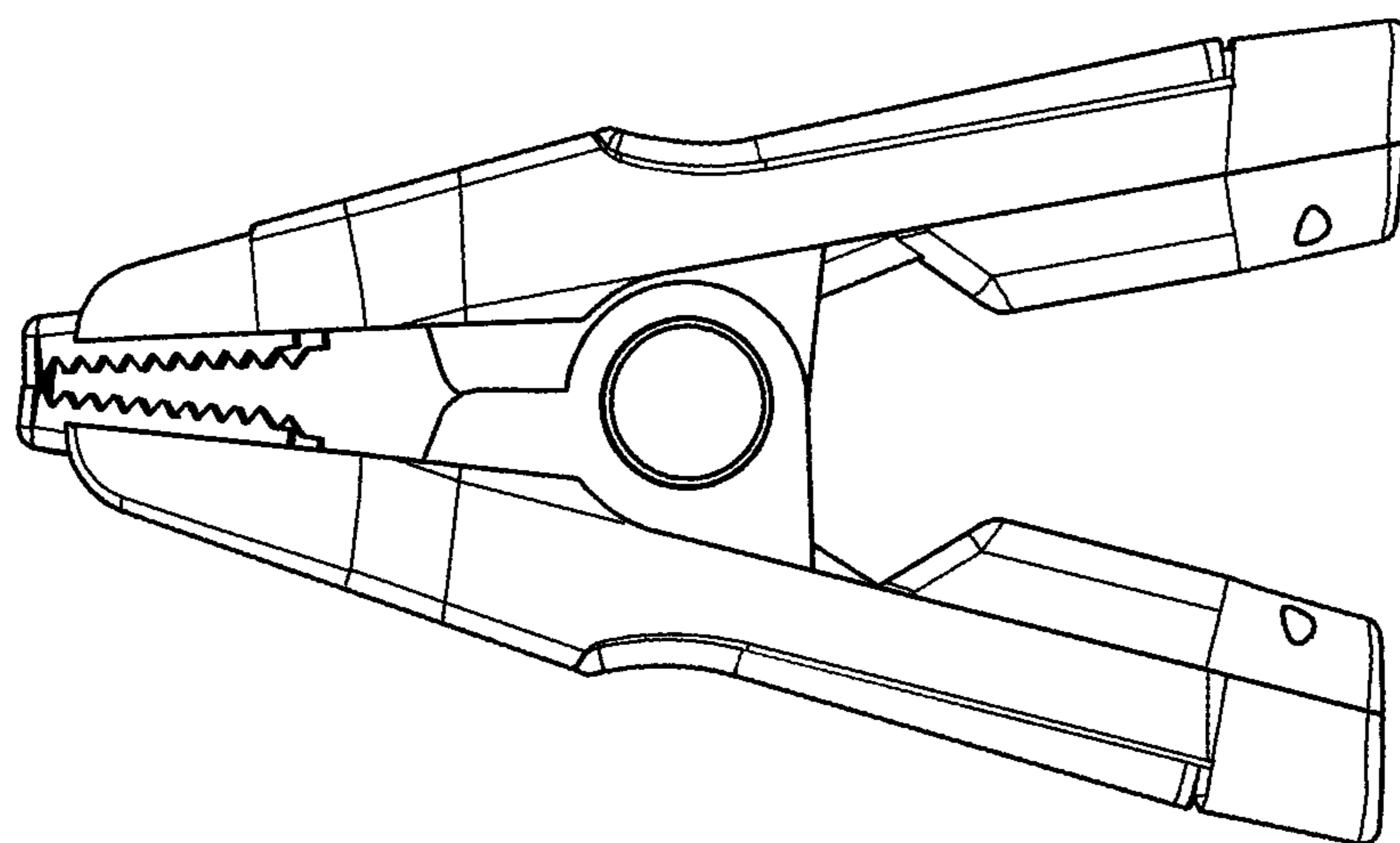


FIG. 2

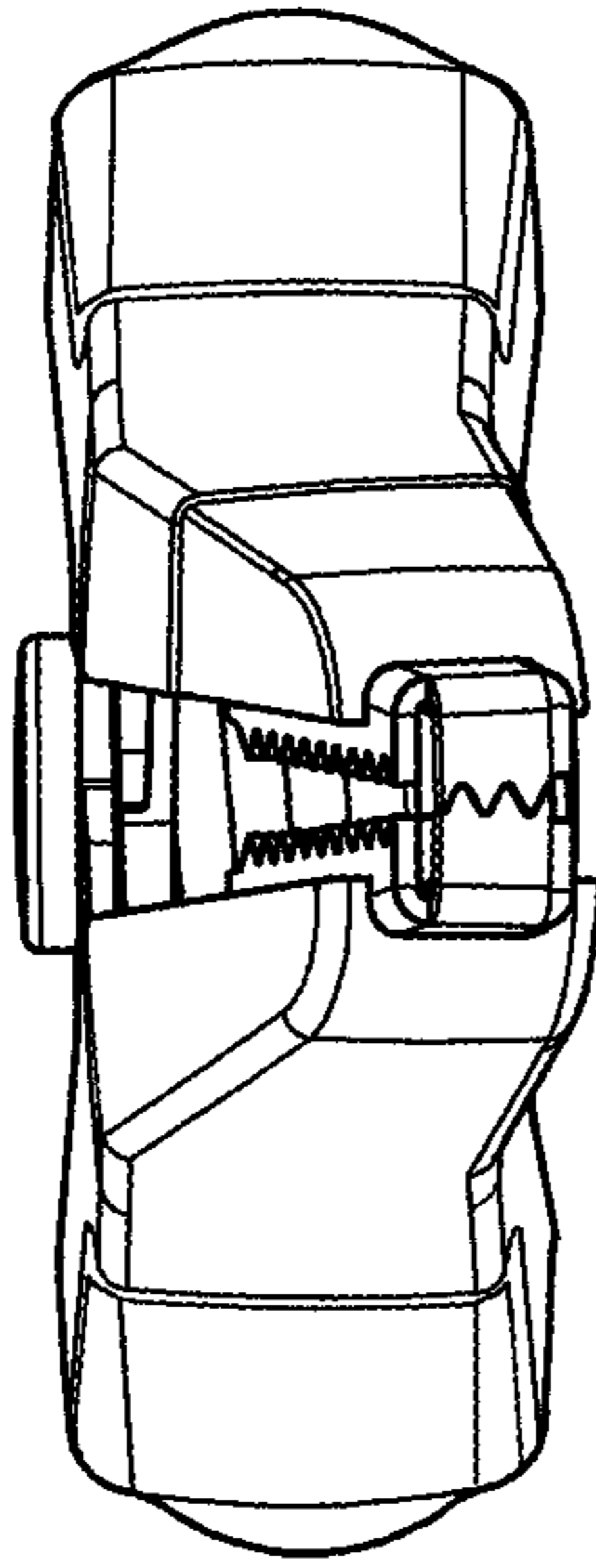


FIG. 3

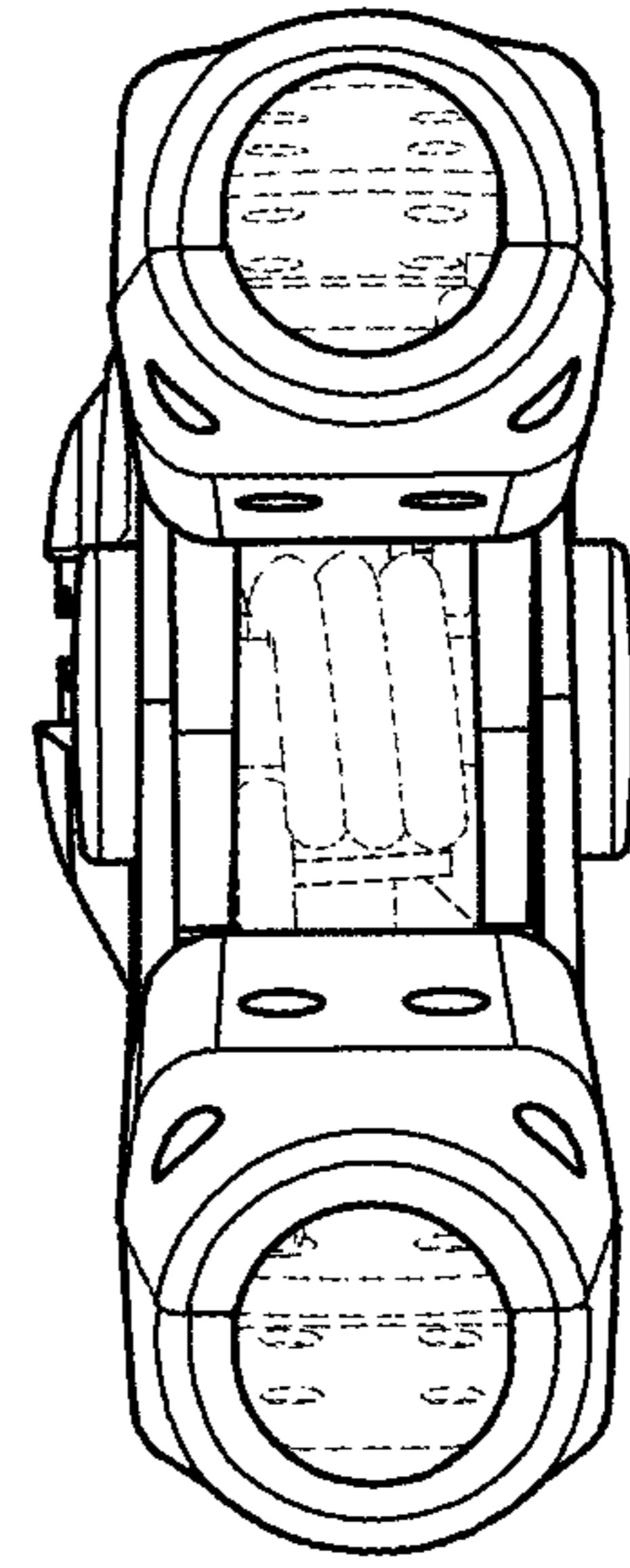


FIG. 4

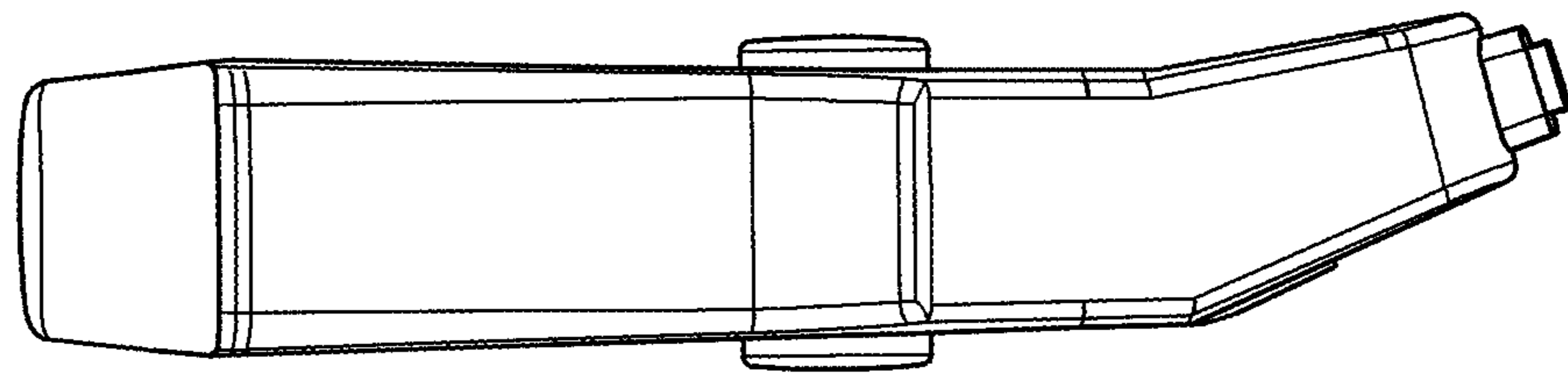


FIG. 5

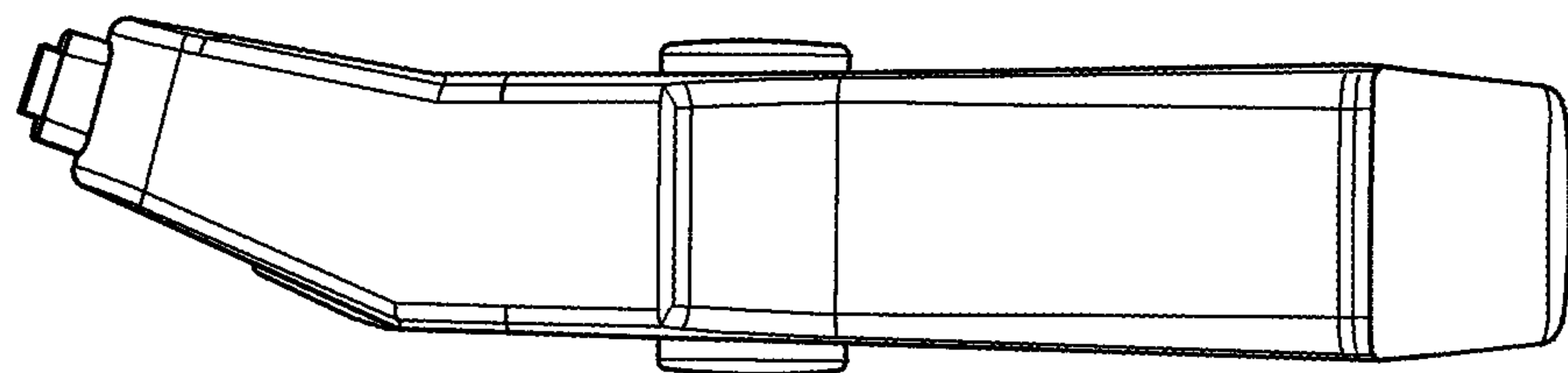


FIG. 6

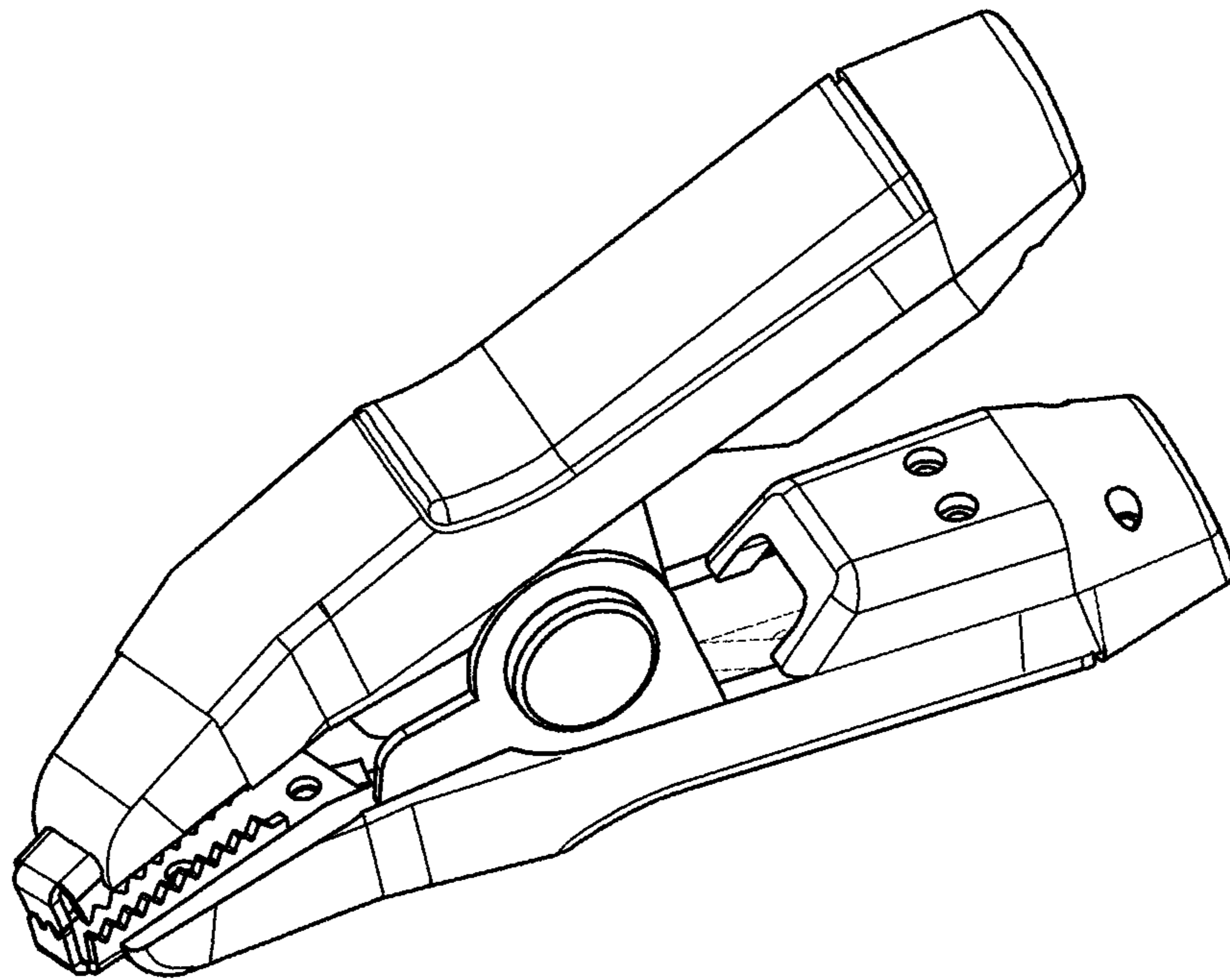


FIG. 7