



US00D926688S

(12) **United States Design Patent** (10) **Patent No.:** **US D926,688 S**
Wu (45) **Date of Patent:** **** Aug. 3, 2021**

(54) **MOTOR**
(71) Applicant: **Shenzhen FeiYida Motor Limited Company, Shenzhen (CN)**
(72) Inventor: **Tongsong Wu, Shenzhen (CN)**
(**) Term: **15 Years**
(21) Appl. No.: **29/745,927**
(22) Filed: **Aug. 11, 2020**
(51) **LOC (13) Cl.** **13-01**
(52) **U.S. Cl.**
USPC **D13/112**
(58) **Field of Classification Search**
USPC D13/112, 113, 114, 118, 122, 133, 184, D13/199; D15/1, 5
CPC H02K 5/06; H02K 5/22; H02K 5/225; H02K 11/33; H02K 9/06; H02K 9/12; H02K 9/14; H02K 9/18; H02K 9/20; H02K 7/1025; H02K 7/20918; H02K 3/24; H02K 3/47; F02B 63/04; F28D 15/0266; F28D 15/02; F28F 1/20
See application file for complete search history.

D631,438 S * 1/2011 Yokoyama D13/122
D642,200 S * 7/2011 Jiang D15/5
D694,186 S * 11/2013 Terashita D13/112
D729,732 S * 5/2015 Kasaba D13/112
D773,995 S 12/2016 Jabaji et al.
D796,968 S 9/2017 Akana et al.
D809,459 S * 2/2018 Battistella D13/112
D835,581 S * 12/2018 Mayor D13/112
D849,797 S * 5/2019 Linker D15/5
10,516,319 B2 * 12/2019 Lonele F04D 25/06
2014/0132122 A1 * 5/2014 Furukawa H02K 3/345
310/68 B
2014/0252922 A1 * 9/2014 Ritchey H02K 5/1737
310/425
2015/0076941 A1 * 3/2015 Song H02K 5/20
310/58
2017/0110942 A1 * 4/2017 Blatterman H02K 3/28

* cited by examiner

Primary Examiner — Derrick E Holland

(57) **CLAIM**

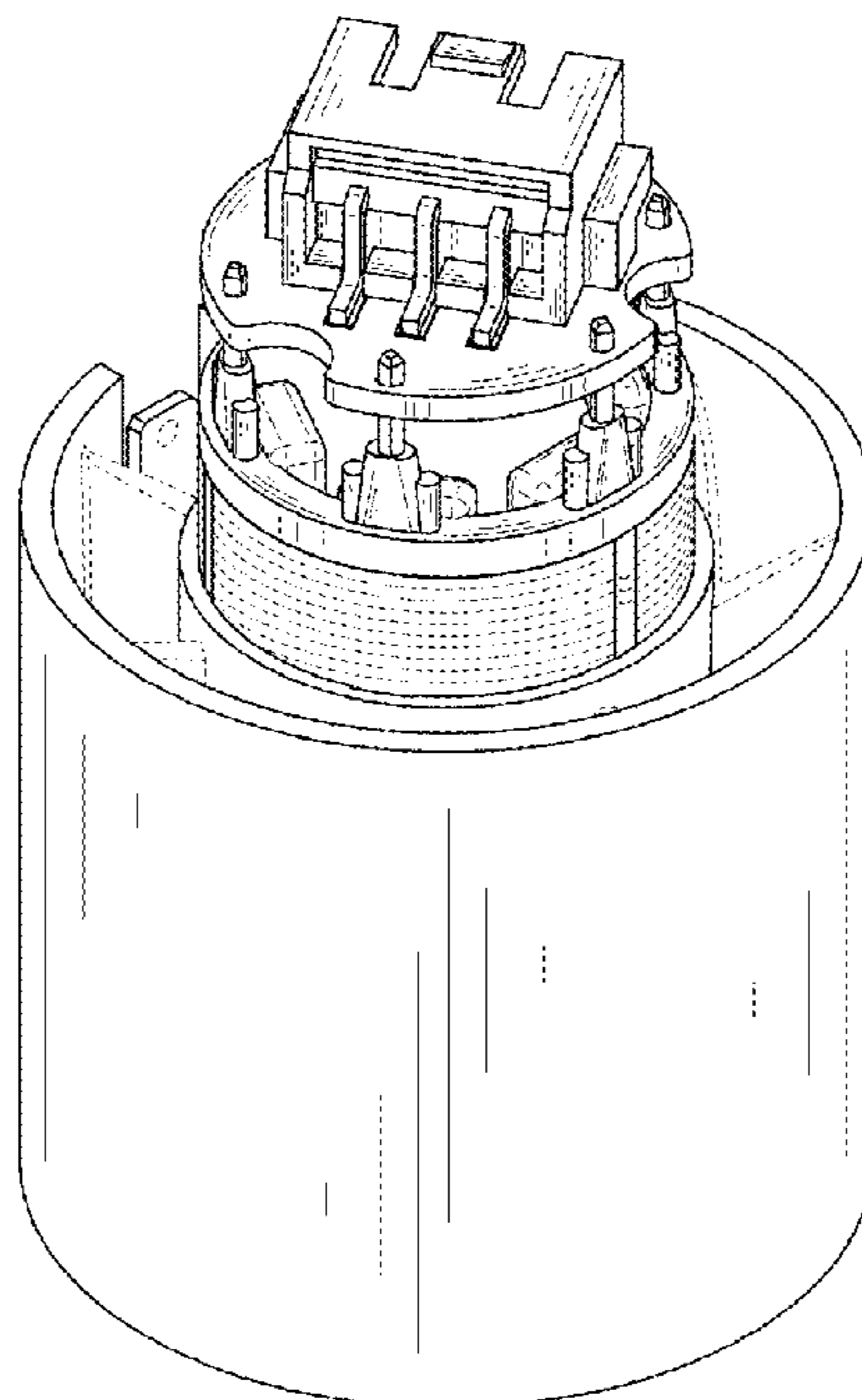
The ornamental design for a motor, as shown and described.

DESCRIPTION

FIG. 1 is a first perspective view of a motor showing my new design;
FIG. 2 is a second perspective view thereof;
FIG. 3 is a front view thereof;
FIG. 4 is a back view thereof;
FIG. 5 is a left side view thereof;
FIG. 6 is a right side view thereof;
FIG. 7 is a top view thereof; and,
FIG. 8 is a bottom view thereof.
The broken lines shown in the drawings depict portions of the motor in which the design is embodied that form no part of the claimed design.

1 Claim, 8 Drawing Sheets

(56) **References Cited**
U.S. PATENT DOCUMENTS
D198,375 S * 6/1964 Cunningham et al. D13/112
D297,426 S * 8/1988 Mabuchi D13/112
D397,992 S * 9/1998 Shimomura D13/112
D424,516 S * 5/2000 Friedrichsen D13/112
6,657,338 B2 * 12/2003 Fisher H02K 11/23
310/89
D562,237 S * 2/2008 Tu D13/112
D589,879 S * 4/2009 Yokota D13/112
D602,866 S * 10/2009 Harada D13/122
D618,170 S 6/2010 Miller



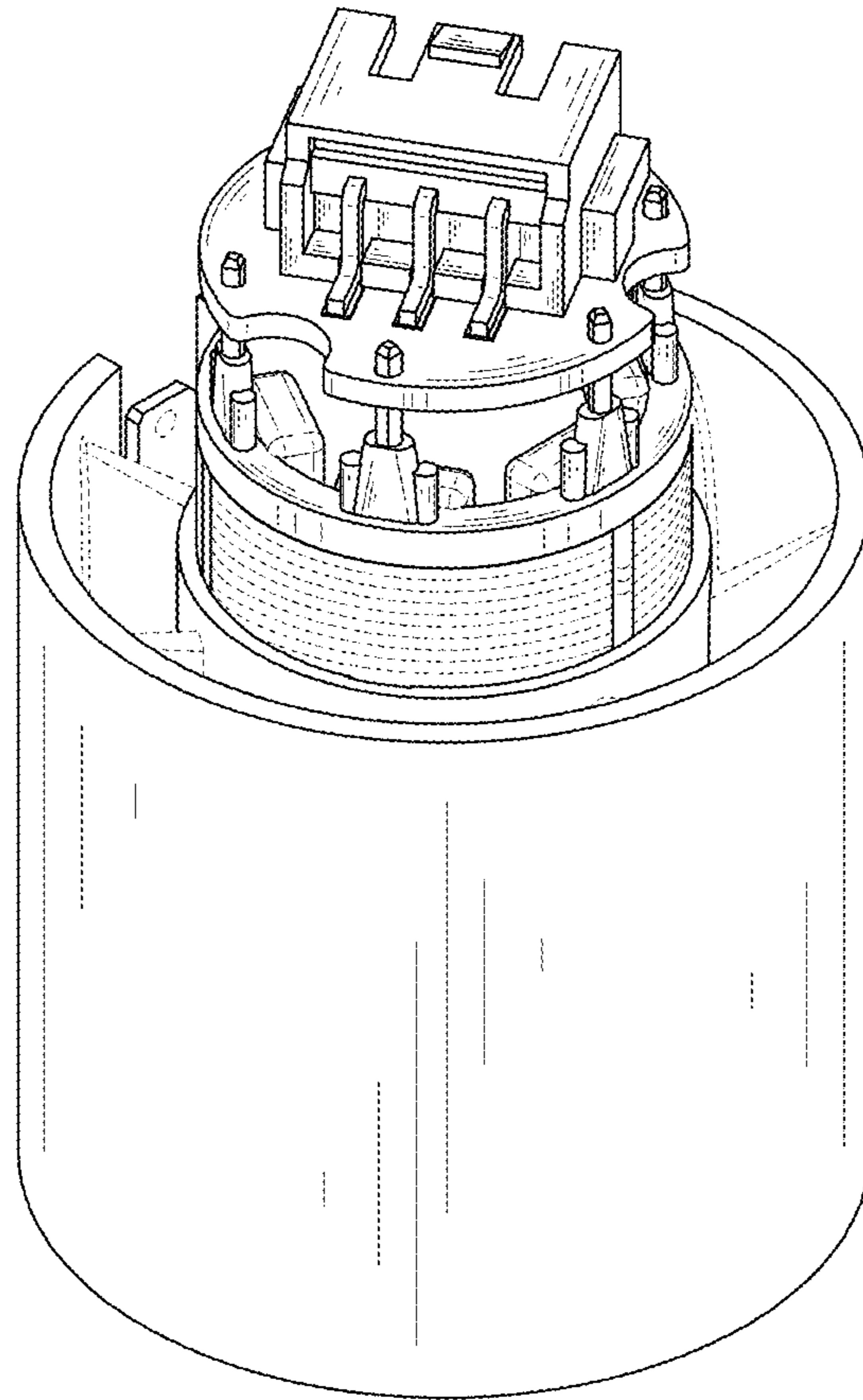


FIG.1

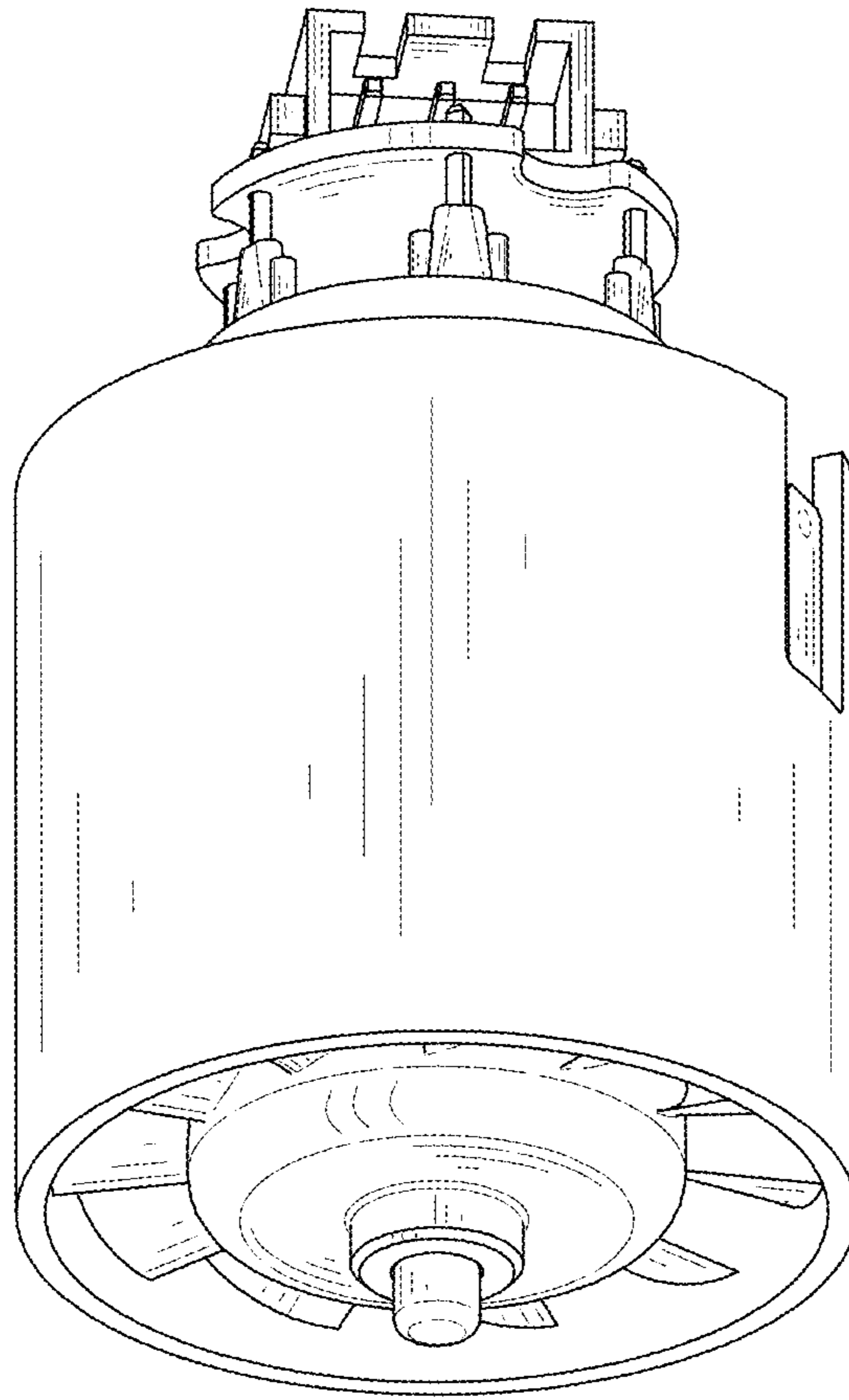


FIG.2

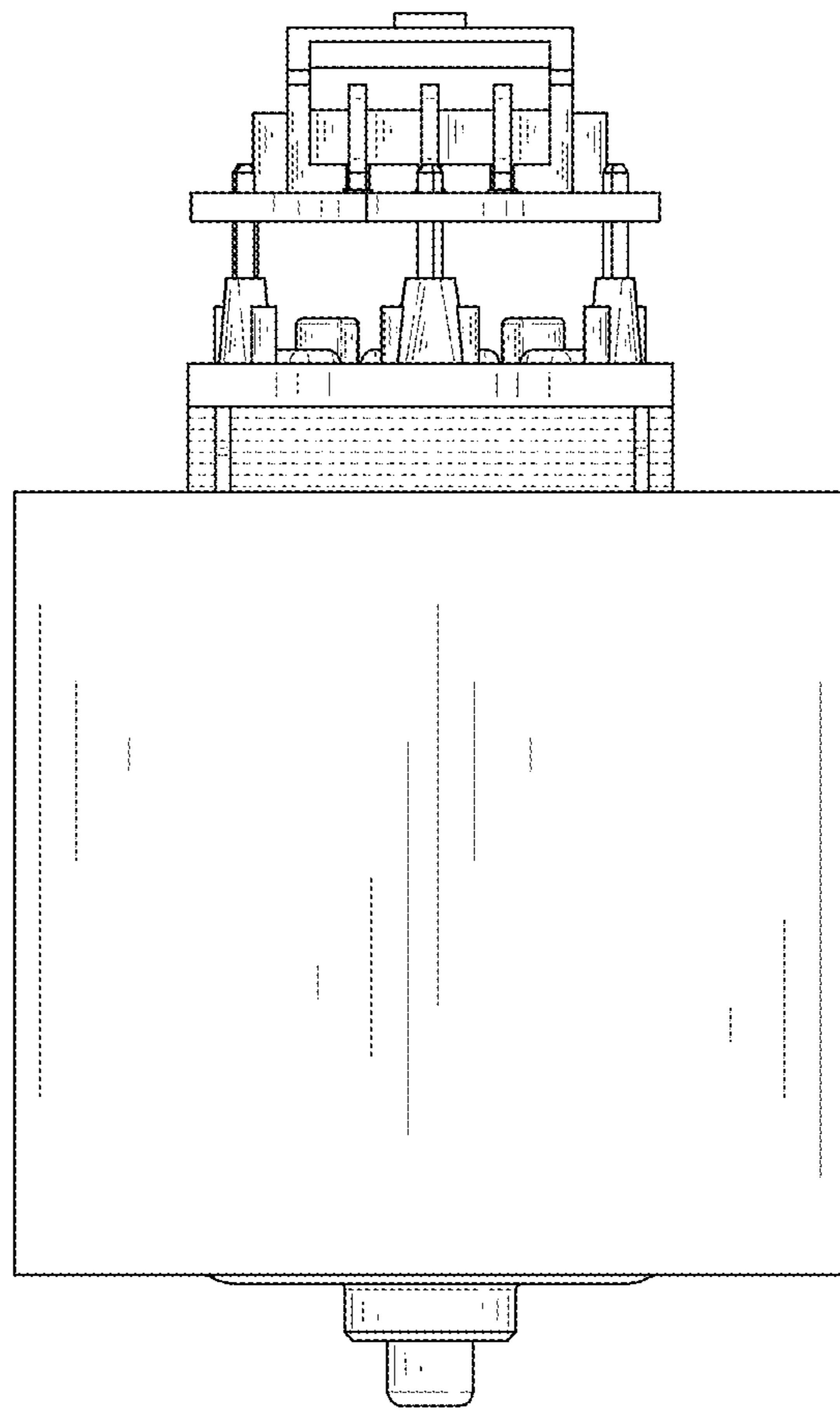


FIG.3

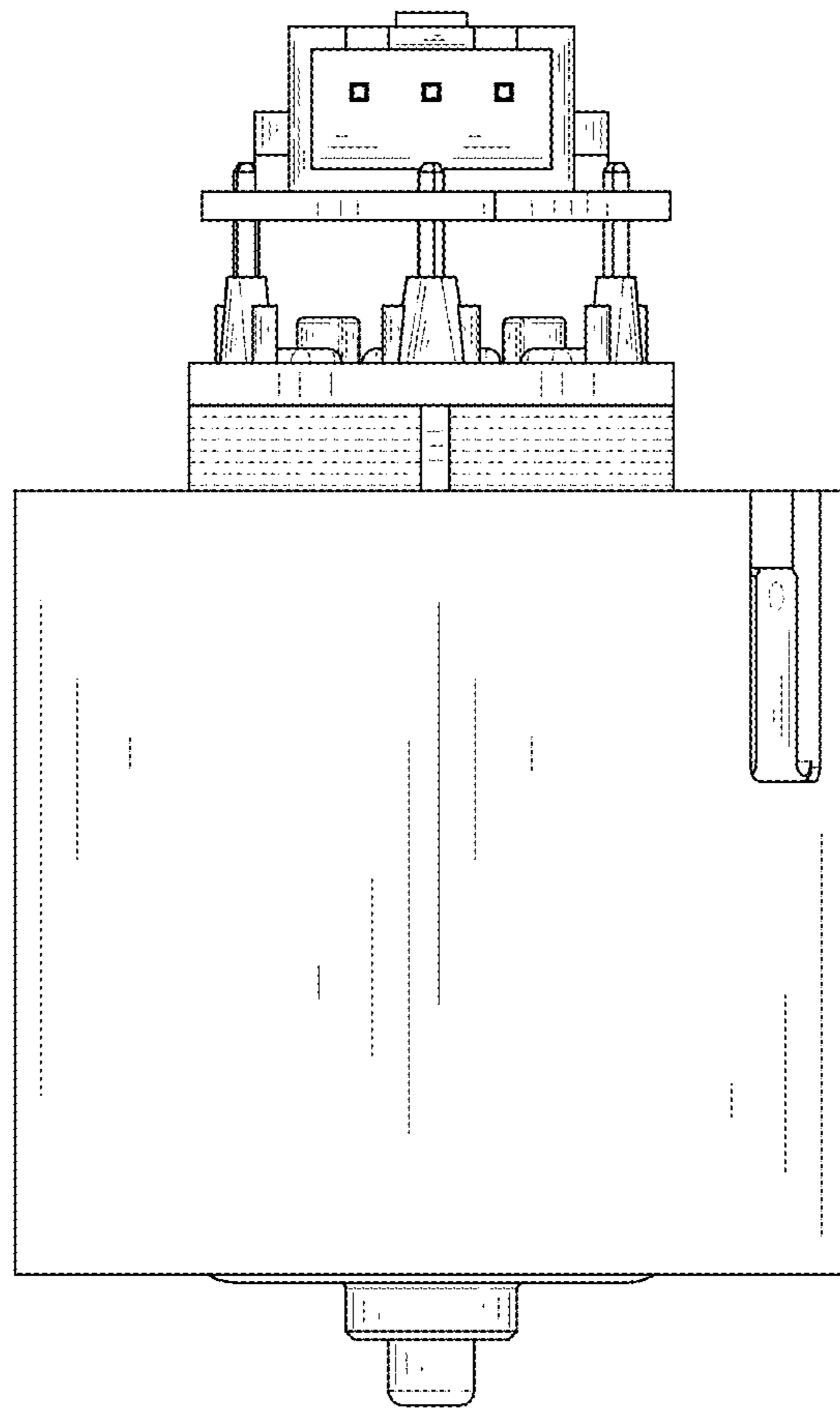


FIG.4

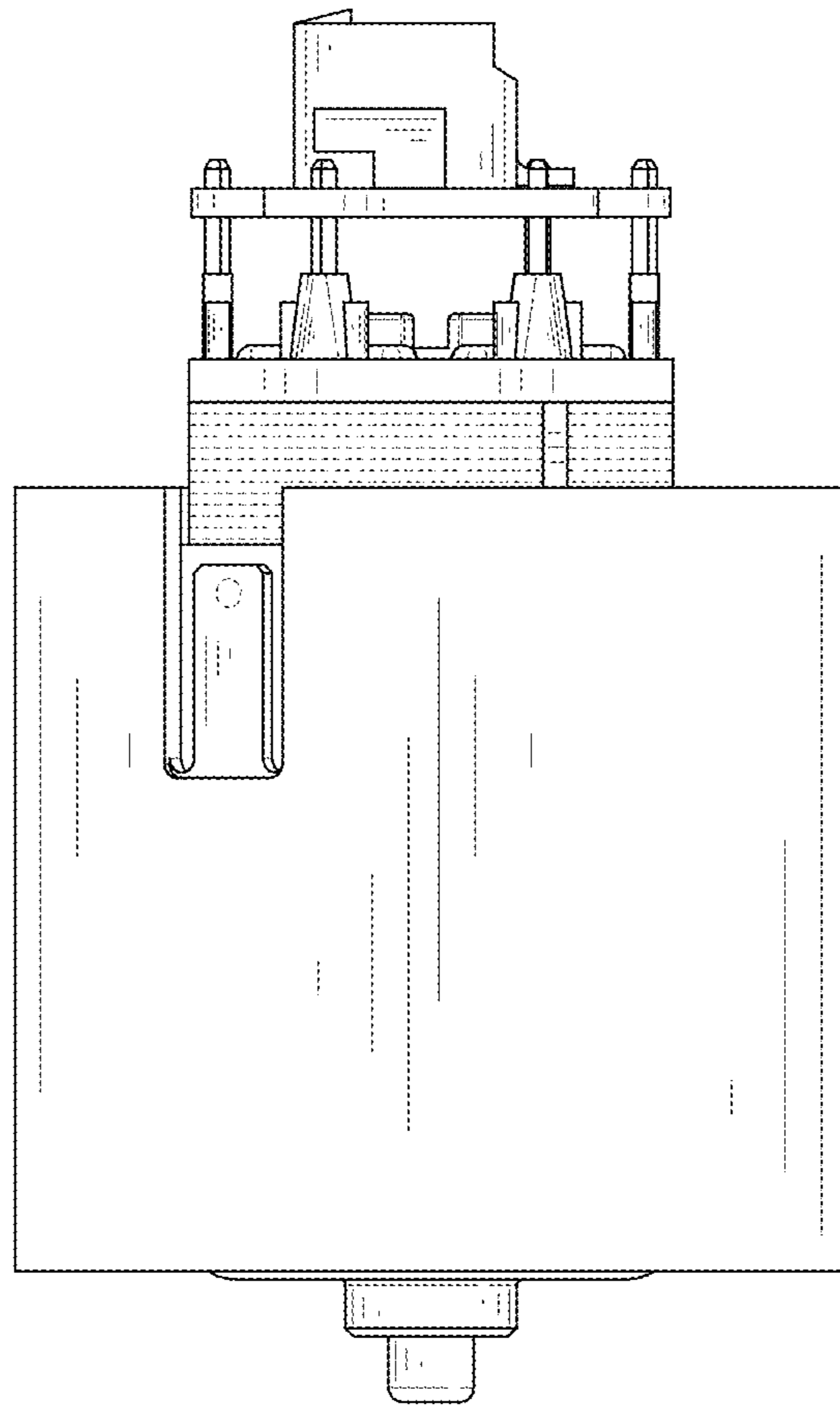


FIG.5

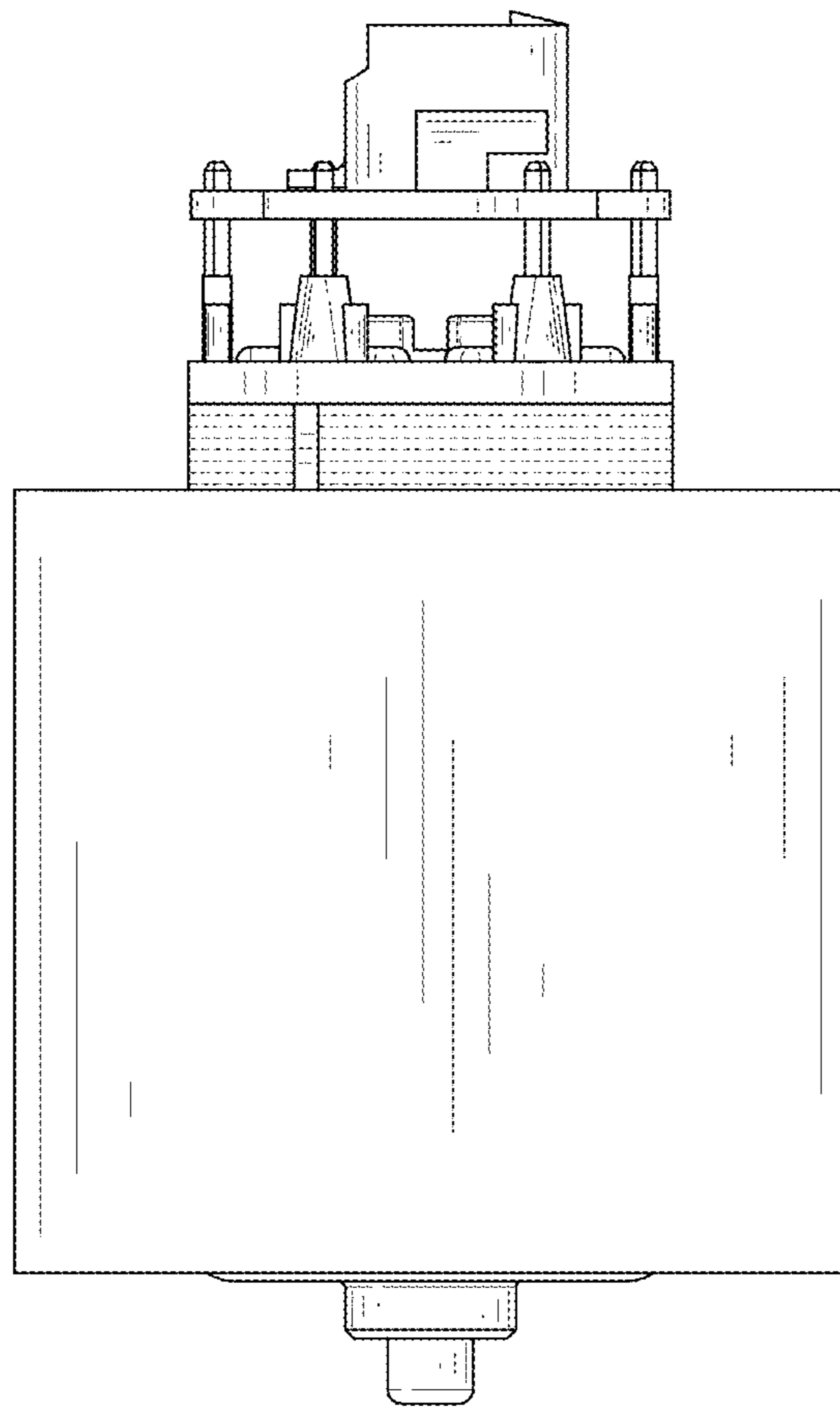


FIG.6

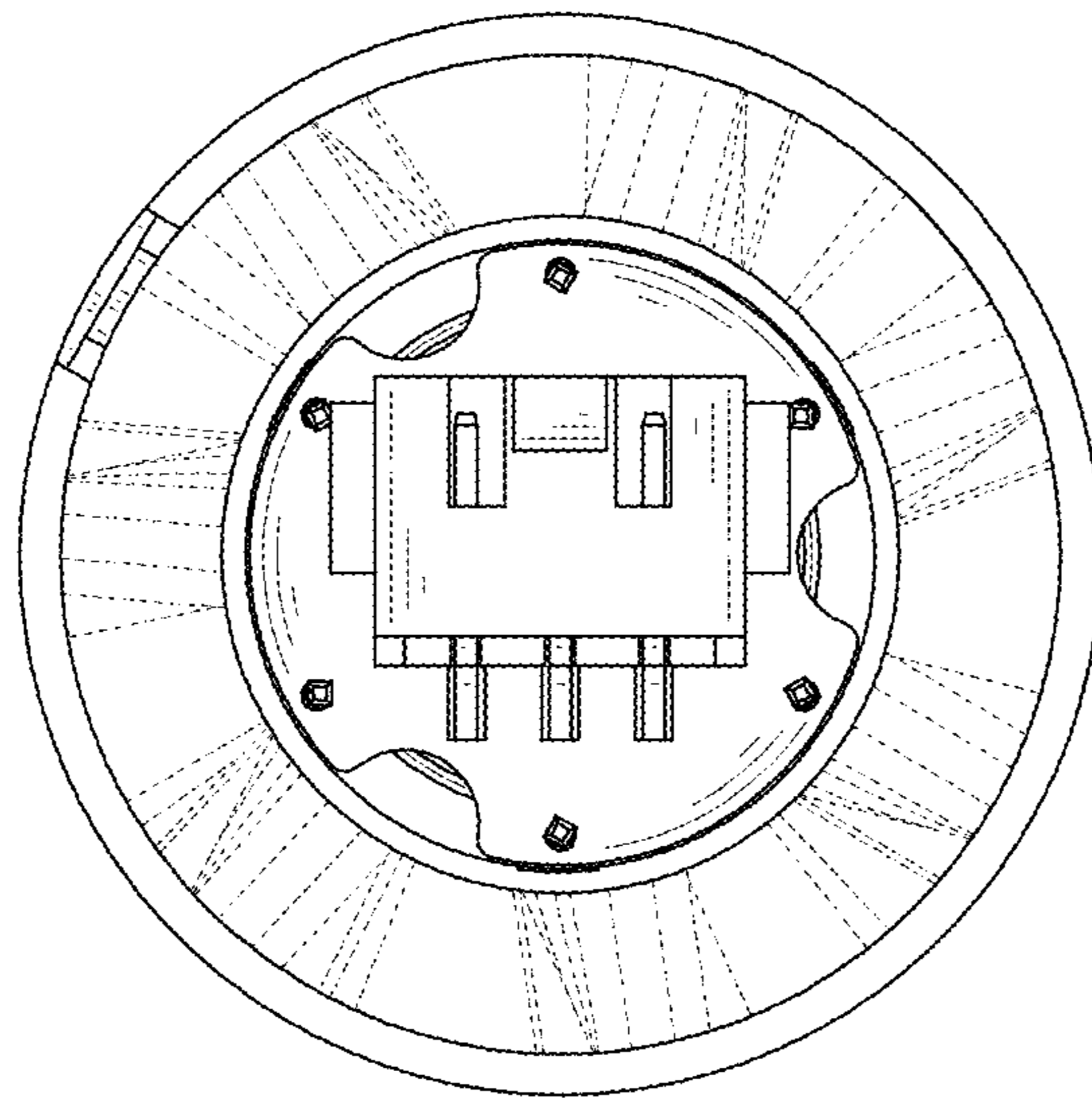


FIG.7

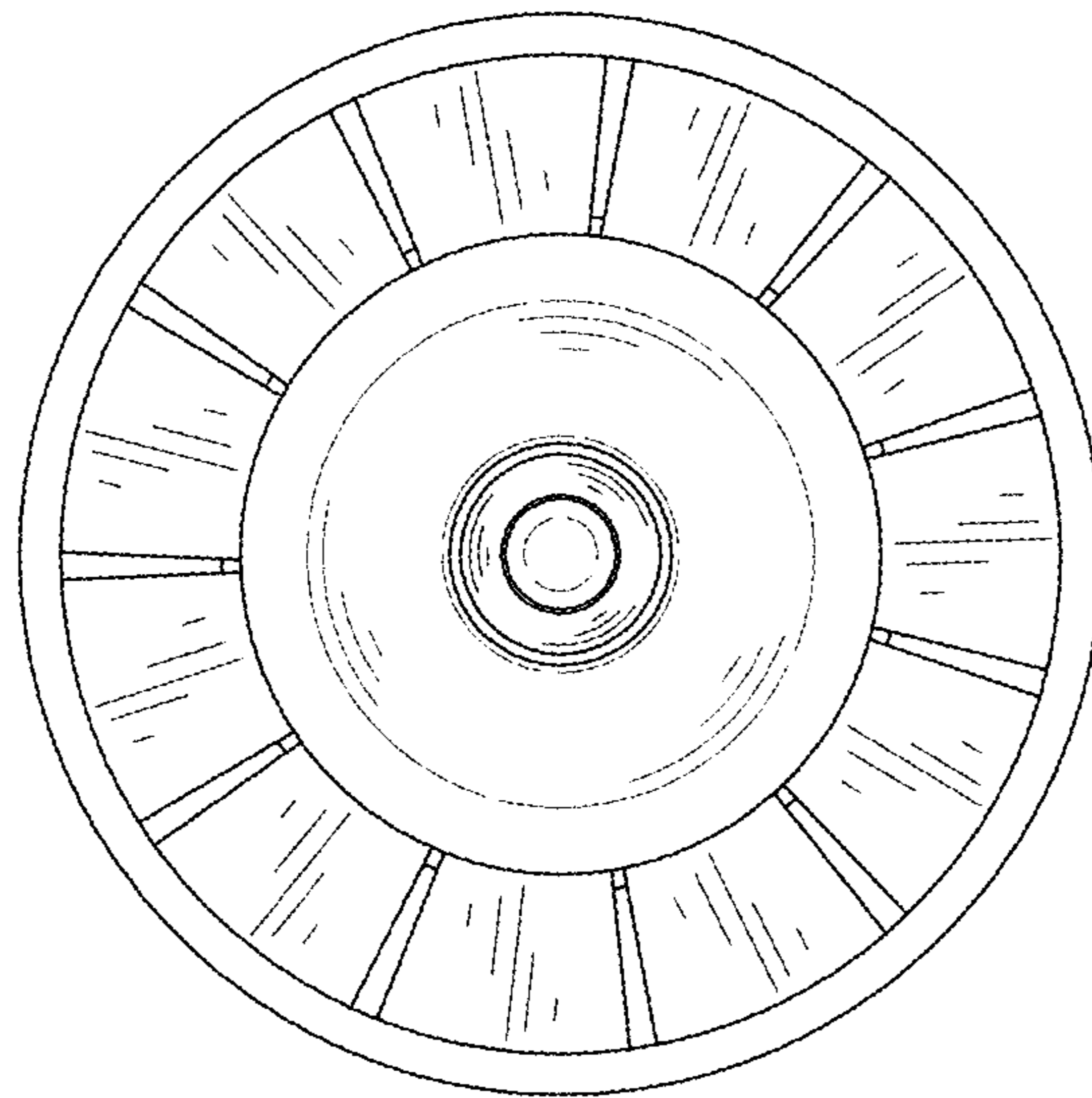


FIG.8