



US00D926687S

(12) **United States Design Patent** (10) **Patent No.:** **US D926,687 S**
Helgeson et al. (45) **Date of Patent:** **** Aug. 3, 2021**

- | | |
|---|--|
| (54) ROTATING GROUND PRONG ANCHOR | D561,694 S * 2/2008 Lam D13/110 |
| | D575,228 S * 8/2008 So D13/110 |
| (71) Applicant: Comcast Cable Communications, LLC, Philadelphia, PA (US) | 7,554,828 B2 * 6/2009 Wilson G06F 1/263
363/146 |
| | 8,096,817 B2 * 1/2012 Lee H01R 29/00
439/104 |
| (72) Inventors: Stuart Helgeson, Philadelphia, PA (US); Henry Homza, Philadelphia, PA (US) | 8,128,434 B1 * 3/2012 Gandolfi H01R 31/065
439/620.31 |
| | D735,136 S * 7/2015 Aromin D13/138.2 |
| | D793,964 S * 8/2017 Aromin D13/160 |
| | D868,698 S * 12/2019 Aromin D13/137.1 |
| (73) Assignee: Comcast Cable Communications, LLC, Philadelphia, PA (US) | 2011/0097911 A1 * 4/2011 Lee H01R 24/30
439/108 |

(**) Term: **15 Years**

* cited by examiner

(21) Appl. No.: **29/731,940**

Primary Examiner — Derrick E Holland

(22) Filed: **Apr. 20, 2020**

(74) *Attorney, Agent, or Firm* — Banner & Witcoff, Ltd.

(51) **LOC (13) Cl.** **13-02**

(57) **CLAIM**

(52) **U.S. Cl.**
USPC **D13/110; D13/137.1**

The ornamental design for a rotating ground prong anchor, as shown and described.

(58) **Field of Classification Search**
USPC D13/107, 108, 110, 118, 123, 133,
D13/137.1–137.4, 138.2, 154, 184, 199;
D14/240, 358, 432, 433
CPC . H02M 1/00; H02M 1/10; H02M 1/36; H01R
13/04; H01R 13/10; H01R 13/652; H01R
13/6675; H01R 25/003; H01R 31/065;
H01R 24/30; H04W 88/08
See application file for complete search history.

DESCRIPTION

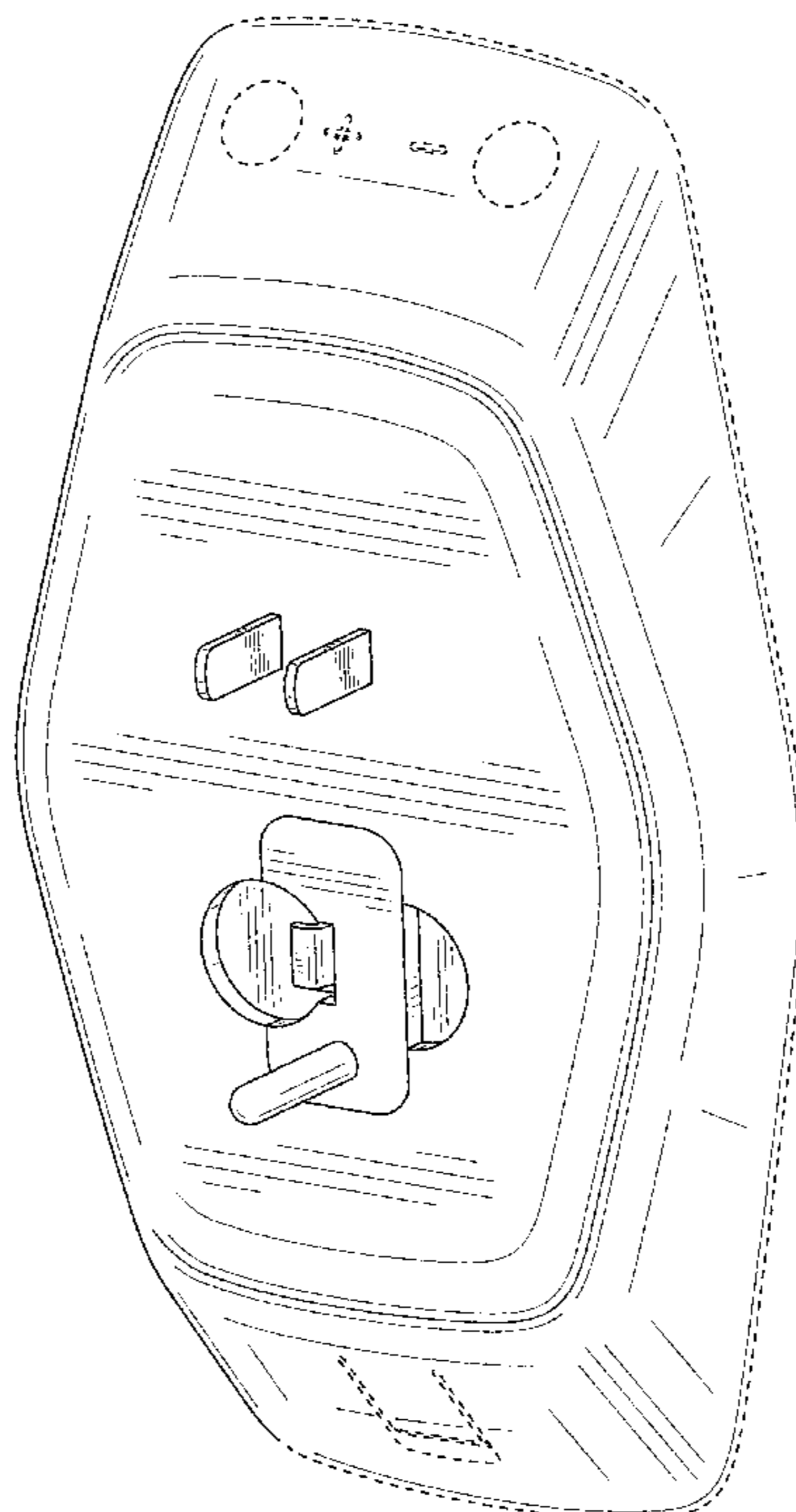
FIG. 1 is a rear perspective view of a rotating ground prong anchor showing our new design;
FIG. 2 is a rear view thereof;
FIG. 3 is a left side view thereof;
FIG. 4 is a right side view thereof;
FIG. 5 is a top view thereof; and,
FIG. 6 is a bottom view thereof.
The broken lines immediately adjacent to and surrounding the shaded areas represent the bounds of the claimed design and form no part thereof. All other broken lines represent the portions of the rotating ground prong anchor that form no part of the claimed design.

(56) **References Cited**

U.S. PATENT DOCUMENTS

- | | | | | |
|---------------|--------|--------|-------|-----------------------|
| 5,613,863 A * | 3/1997 | Klaus | | H01R 27/00
439/131 |
| D383,115 S * | 9/1997 | Nagele | | D13/110 |

1 Claim, 6 Drawing Sheets



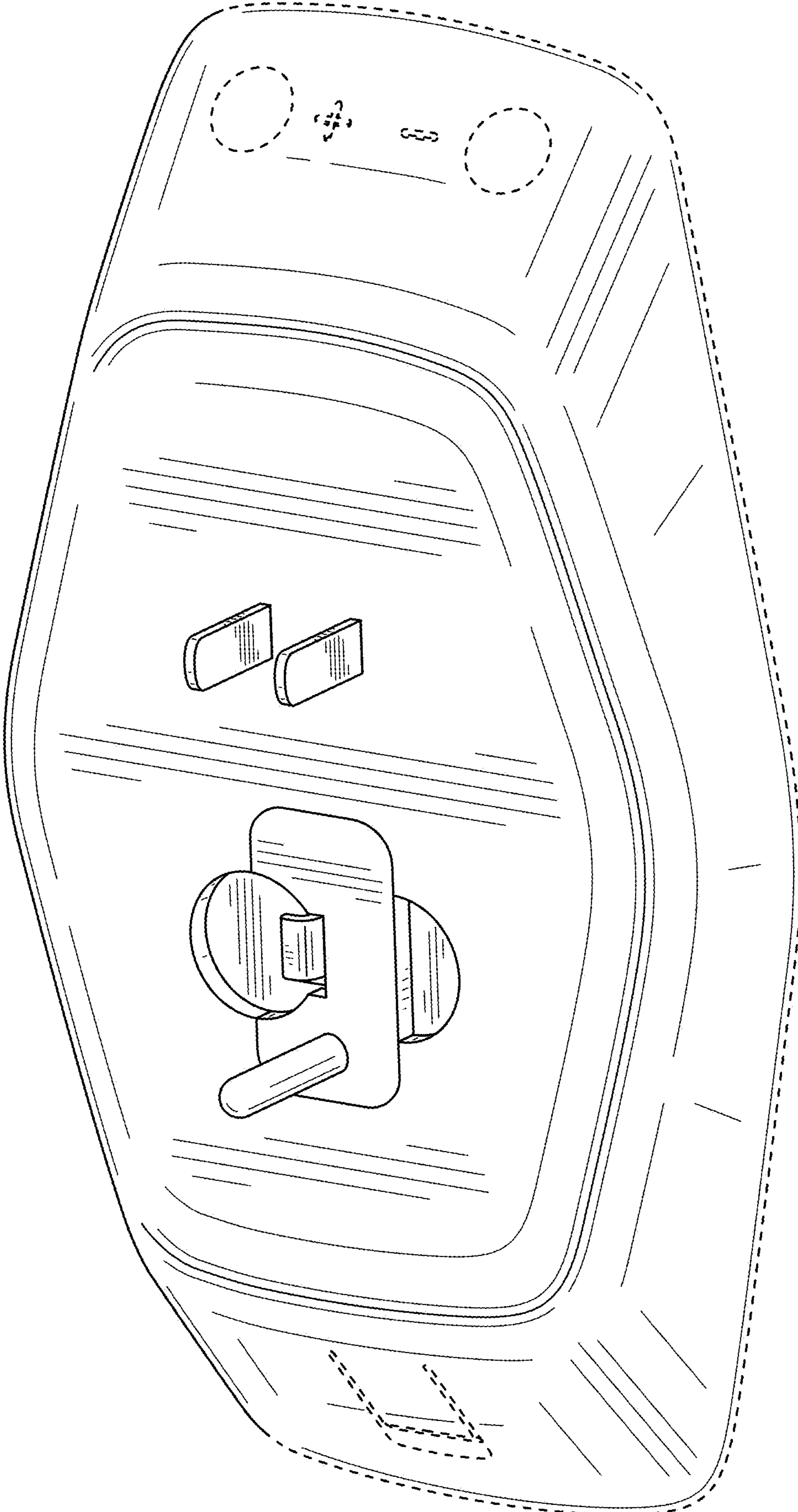


FIG. 1

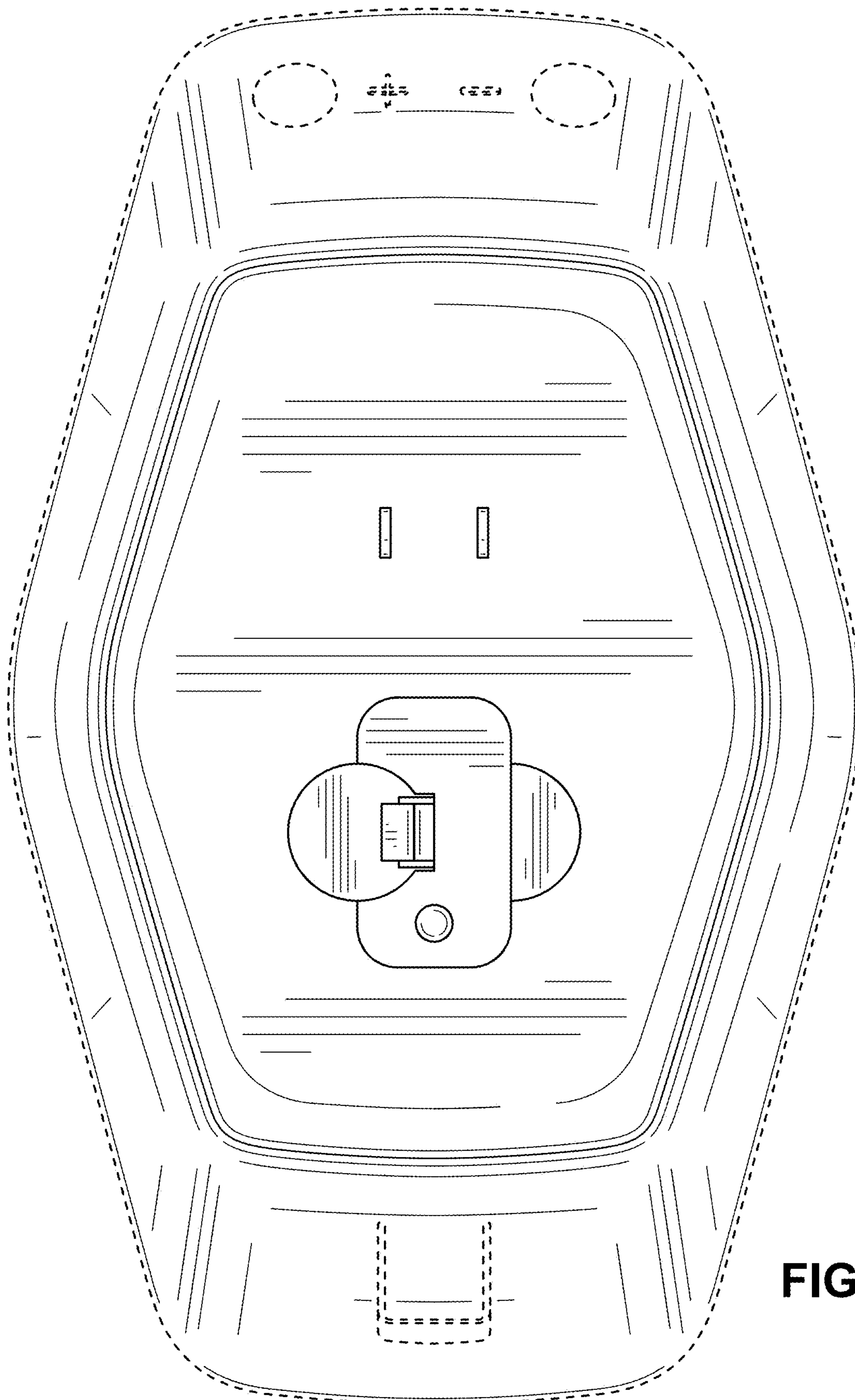


FIG. 2

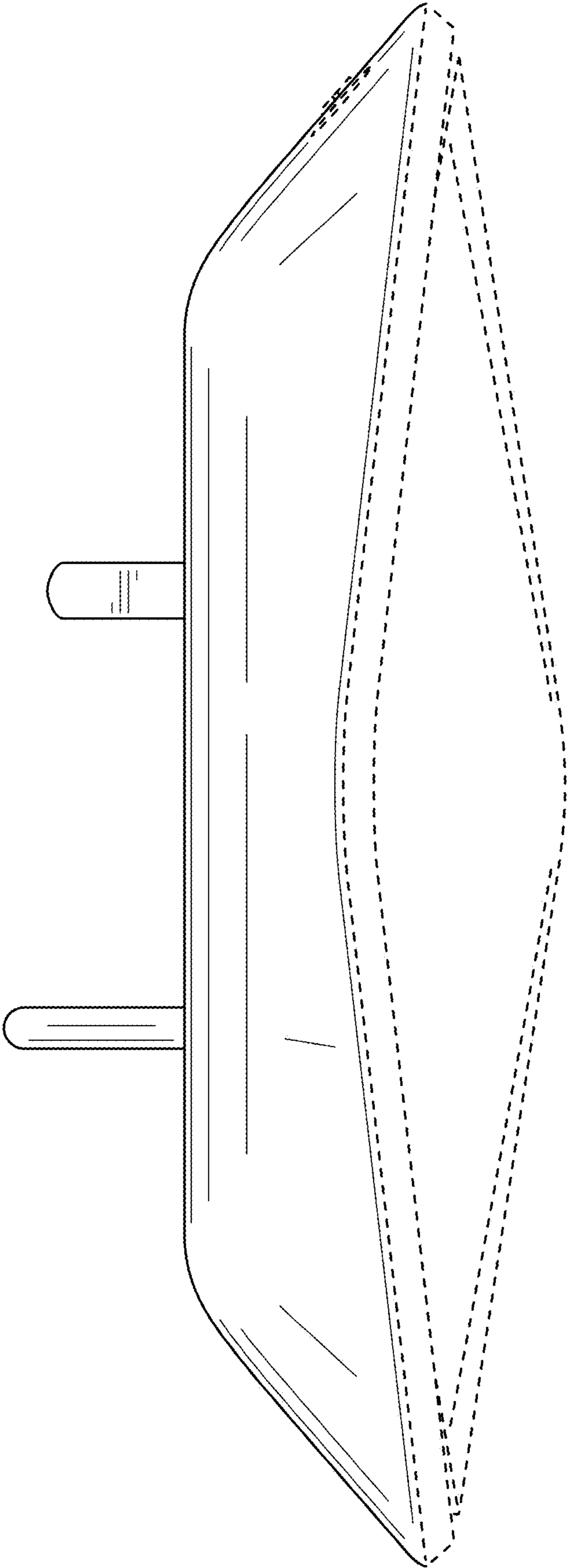


FIG. 3

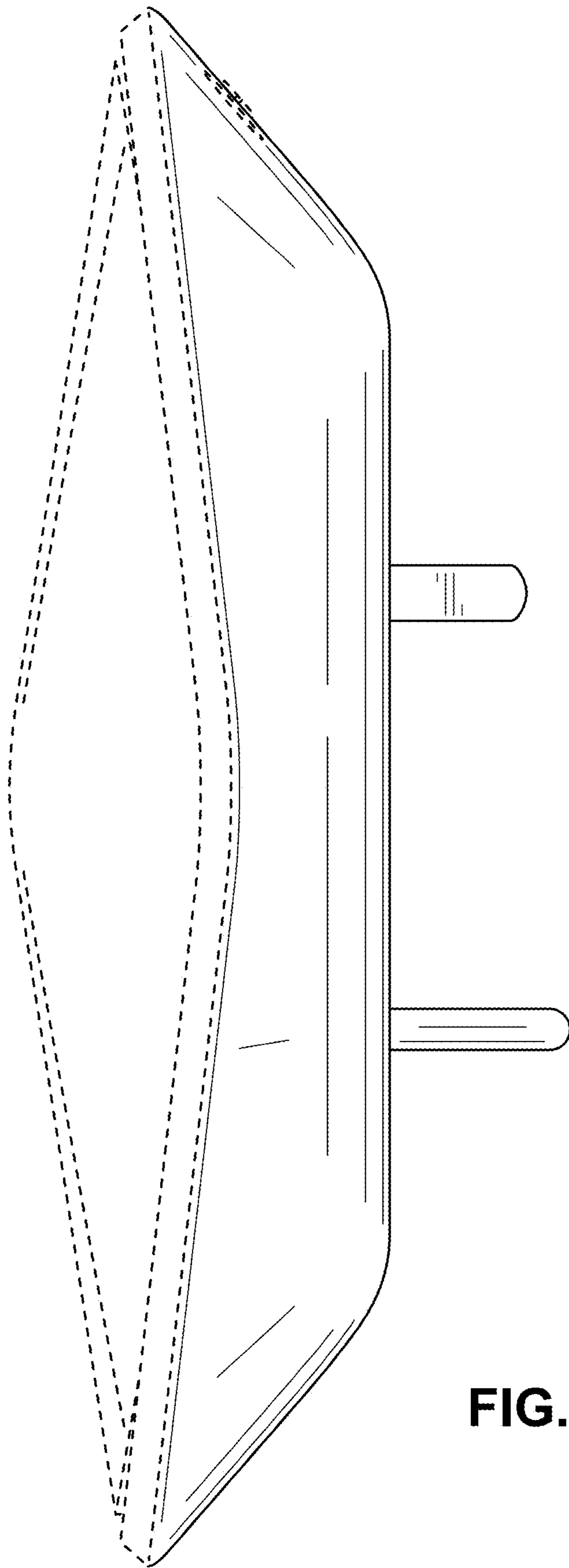


FIG. 4

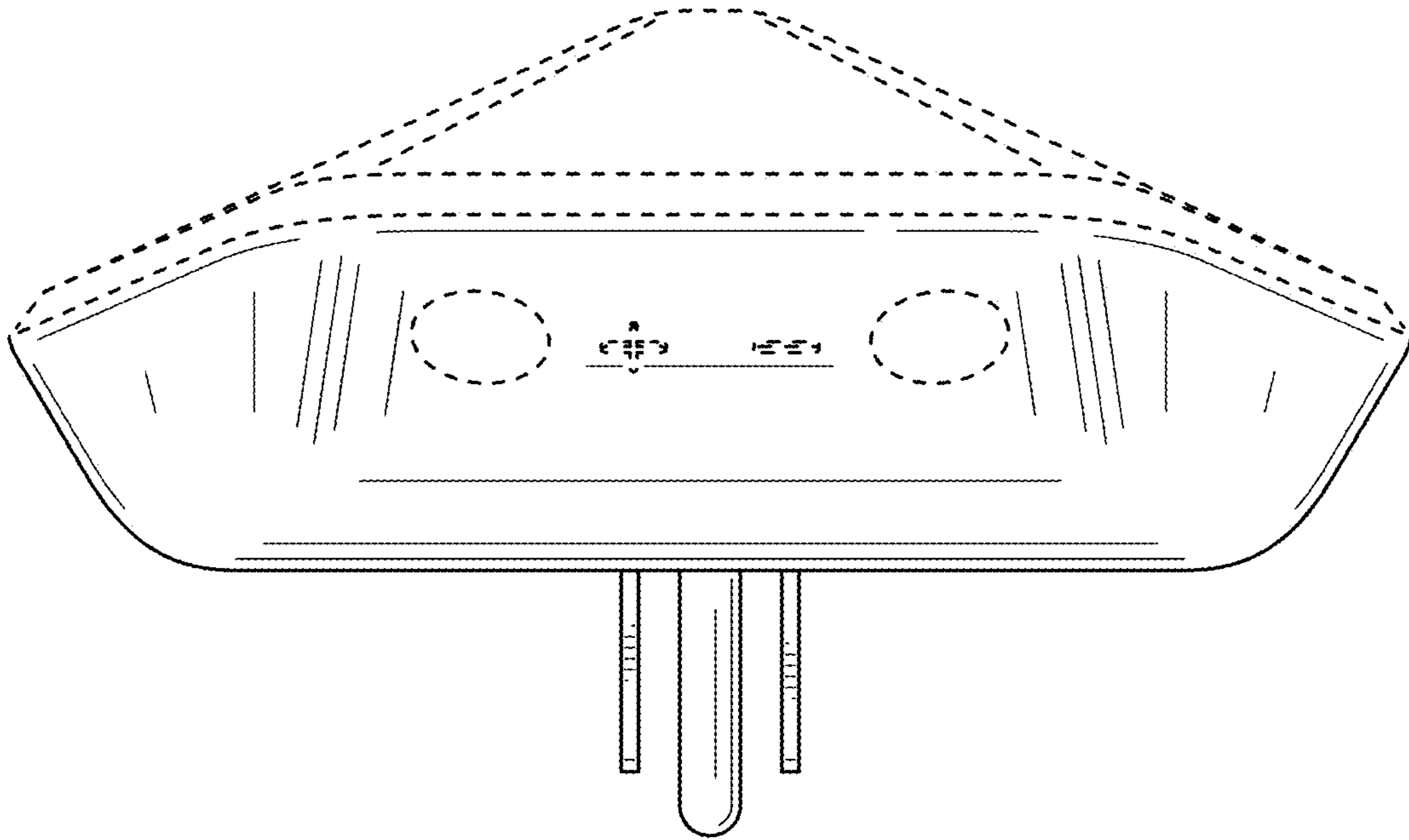


FIG. 5

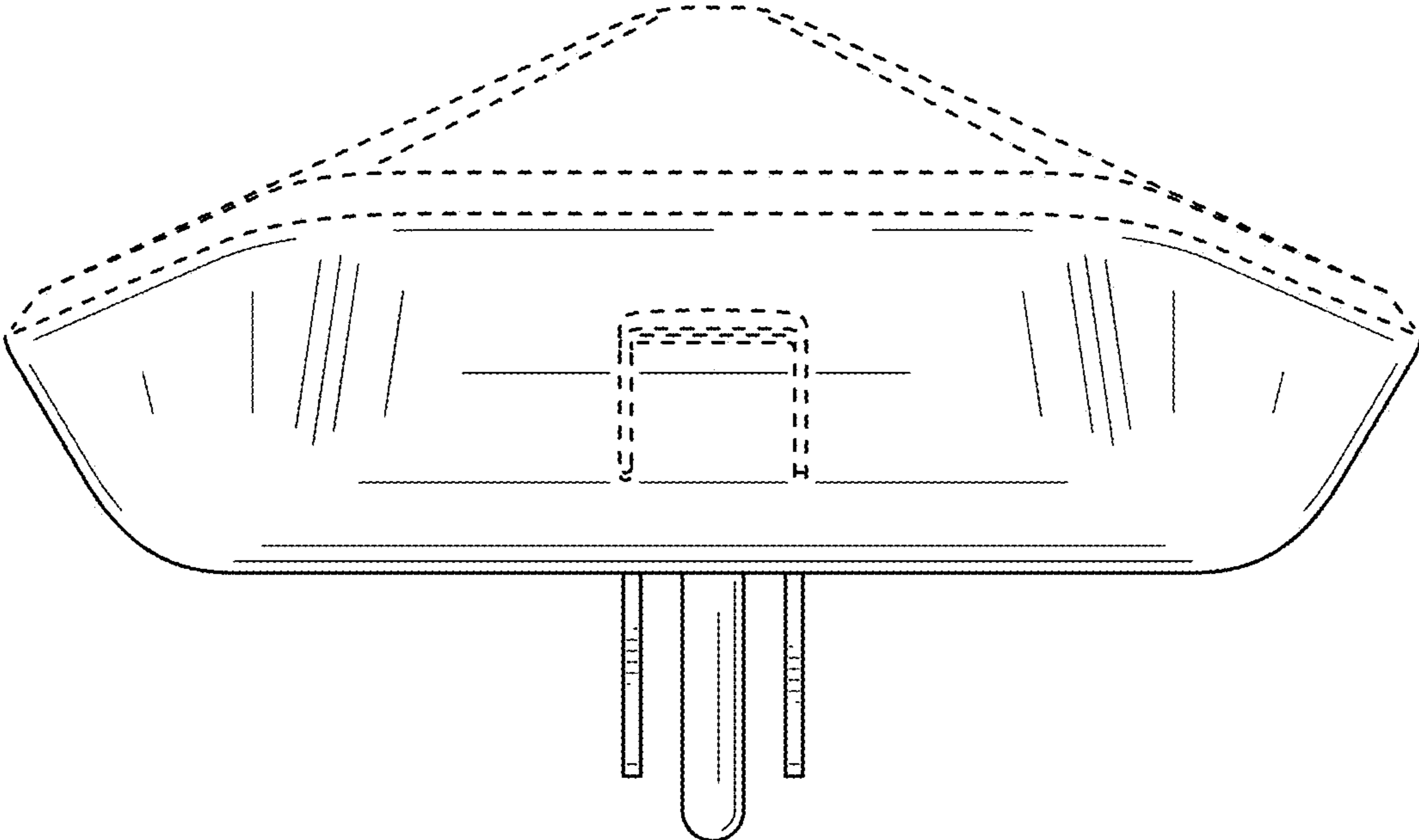


FIG. 6