



US00D926686S

(12) **United States Design Patent**
Helgeson et al.

(10) **Patent No.:** **US D926,686 S**
(45) **Date of Patent:** **** Aug. 3, 2021**

(54) **ROTATING GROUND PRONG ANCHOR**

(71) Applicant: **Comcast Cable Communications, LLC**, Philadelphia, PA (US)

(72) Inventors: **Stuart Helgeson**, Philadelphia, PA (US); **Henry Homza**, Philadelphia, PA (US)

(73) Assignee: **Comcast Cable Communications, LLC**, Philadelphia, PA (US)

D561,694 S *	2/2008	Lam	D13/110
D575,228 S *	8/2008	So	D13/110
7,554,828 B2 *	6/2009	Wilson	G06F 1/263 363/146
8,096,817 B2 *	1/2012	Lee	H01R 29/00 439/104
8,128,434 B1 *	3/2012	Gandolfi	H01R 31/065 439/620.31
D735,136 S *	7/2015	Aromin	D13/138.2
D793,964 S *	8/2017	Aromin	D13/160
D868,698 S *	12/2019	Aromin	D13/137.1
2011/0097911 A1 *	4/2011	Lee	H01R 24/30 439/108

(**) Term: **15 Years**

* cited by examiner

(21) Appl. No.: **29/731,935**

Primary Examiner — Derrick E Holland

(22) Filed: **Apr. 20, 2020**

(74) *Attorney, Agent, or Firm* — Banner & Witcoff, Ltd.

(51) **LOC (13) Cl.** **13-02**

(52) **U.S. Cl.**
USPC **D13/110; D13/137.1**

(58) **Field of Classification Search**
USPC D13/107, 108, 110, 118, 123, 133,
D13/137.1–137.4, 138.2, 154, 184, 199;
D14/240, 358, 432, 433
CPC . H02M 1/00; H02M 1/10; H02M 1/36; H01R
13/04; H01R 13/10; H01R 13/652; H01R
13/6675; H01R 25/003; H01R 31/065;
H01R 24/30; H04W 88/08
See application file for complete search history.

(57) **CLAIM**

The ornamental design for a rotating ground prong anchor, as shown and described.

DESCRIPTION

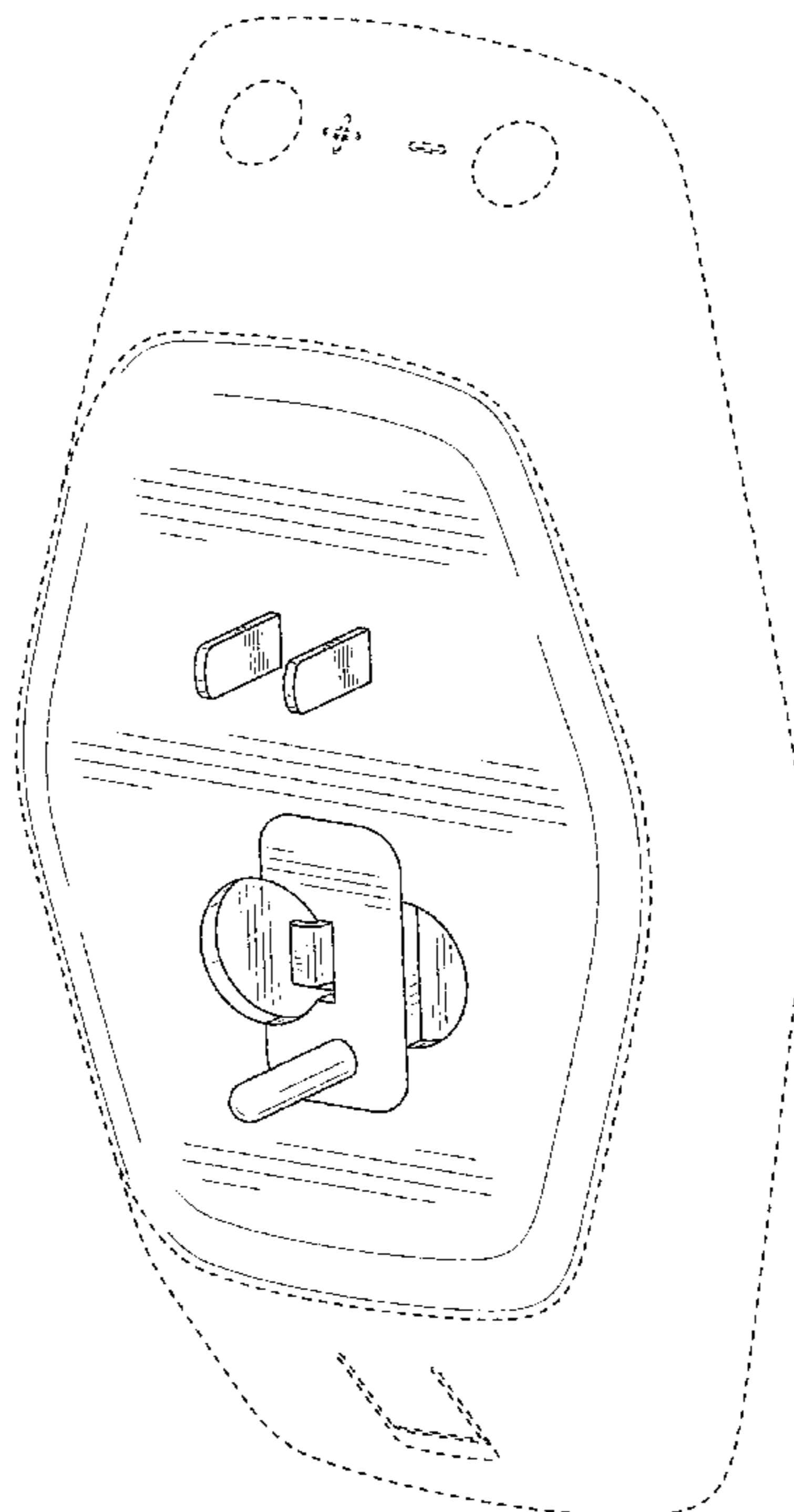
FIG. 1 is a rear perspective view of a rotating ground prong anchor showing our new design; FIG. 2 is a rear view thereof; FIG. 3 is a left side view thereof; FIG. 4 is a right side view thereof; FIG. 5 is a top view thereof; and, FIG. 6 is a bottom view thereof. The broken lines immediately adjacent to and surrounding the shaded areas represent the bounds of the claimed design and form no part thereof. All other broken lines represent the portions of the rotating ground prong anchor that form no part of the claimed design.

(56) **References Cited**

U.S. PATENT DOCUMENTS

5,613,863 A *	3/1997	Klaus	H01R 27/00 439/131
D383,115 S *	9/1997	Nagele	D13/110

1 Claim, 6 Drawing Sheets



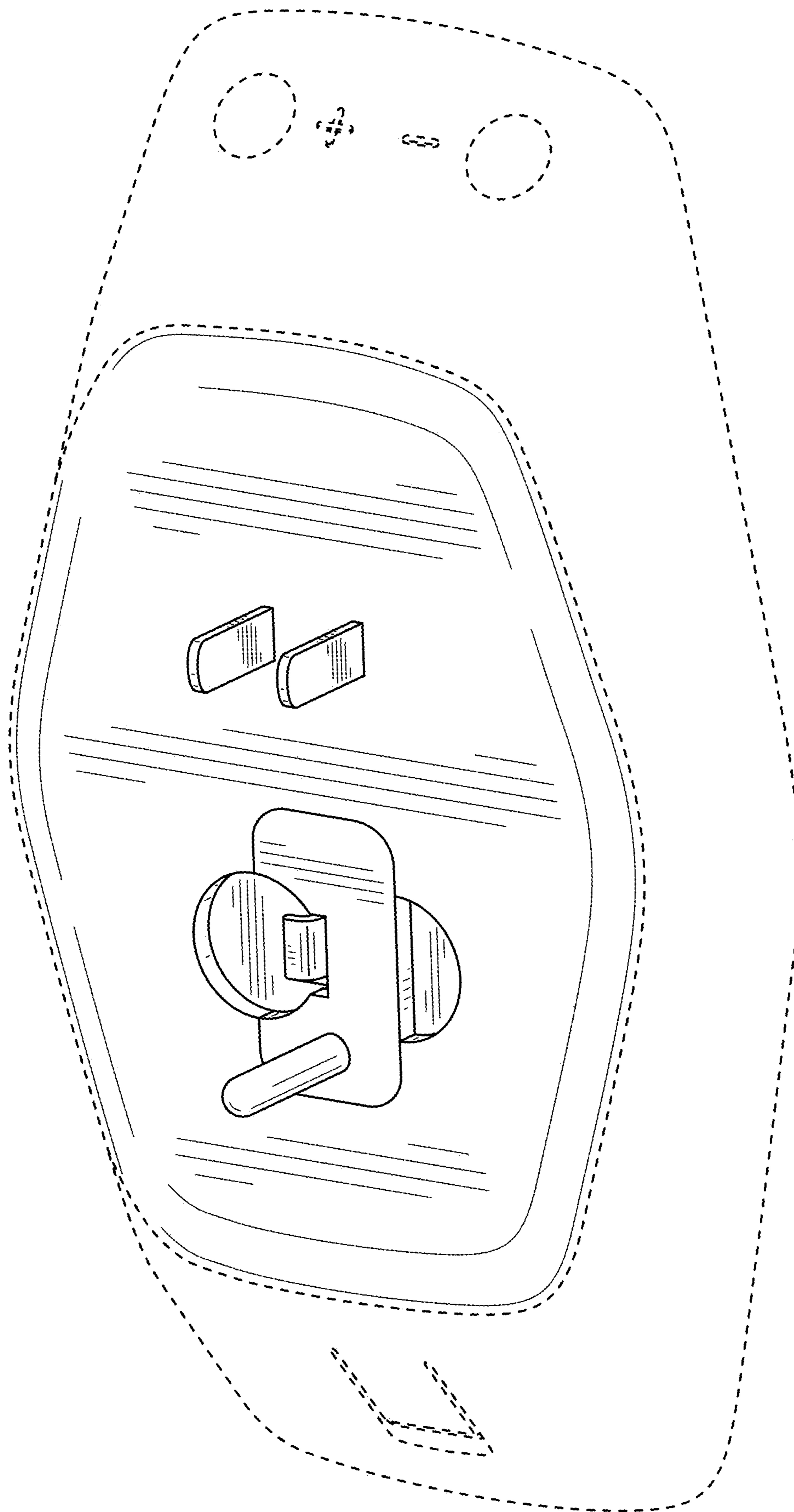


FIG. 1

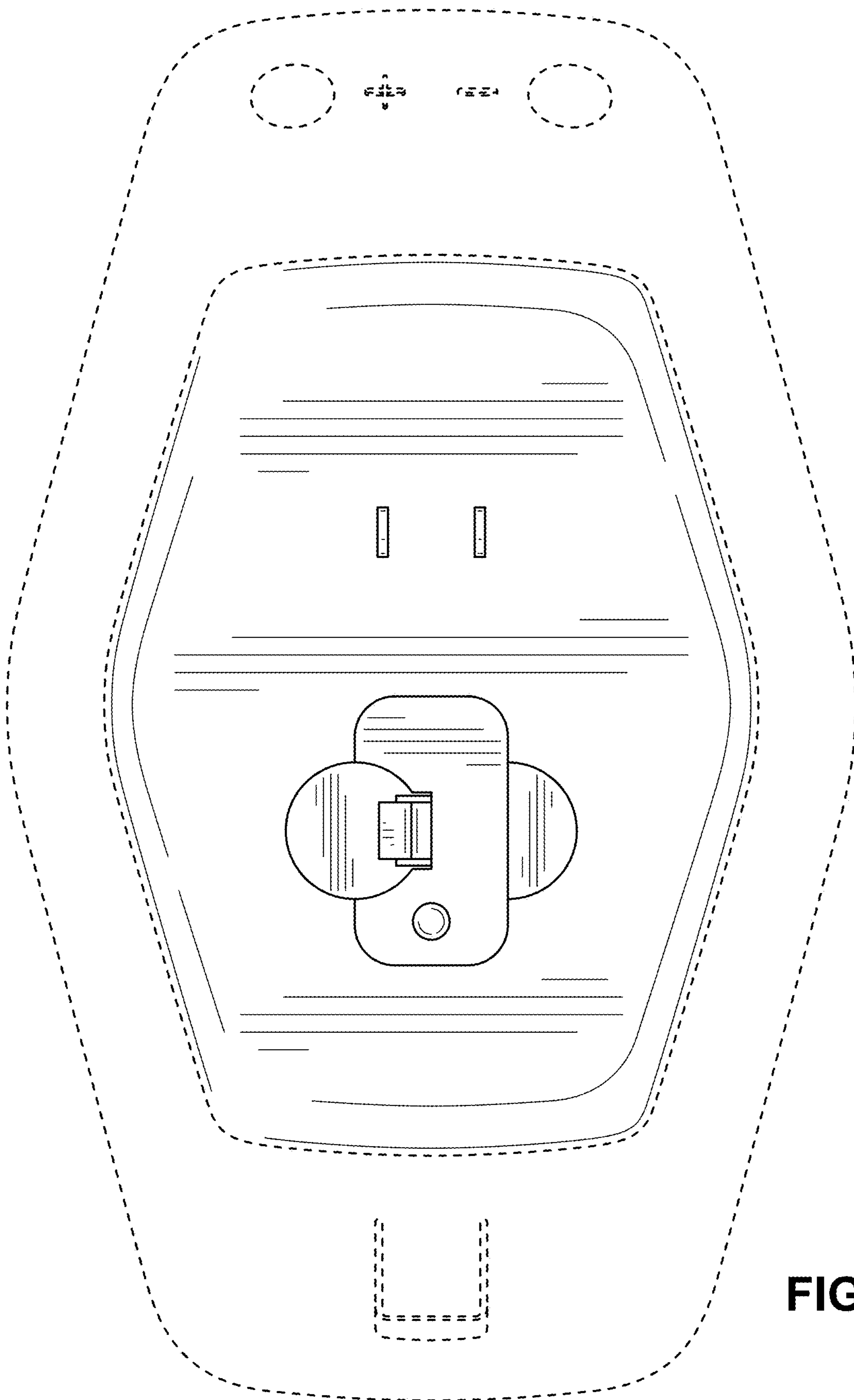


FIG. 2

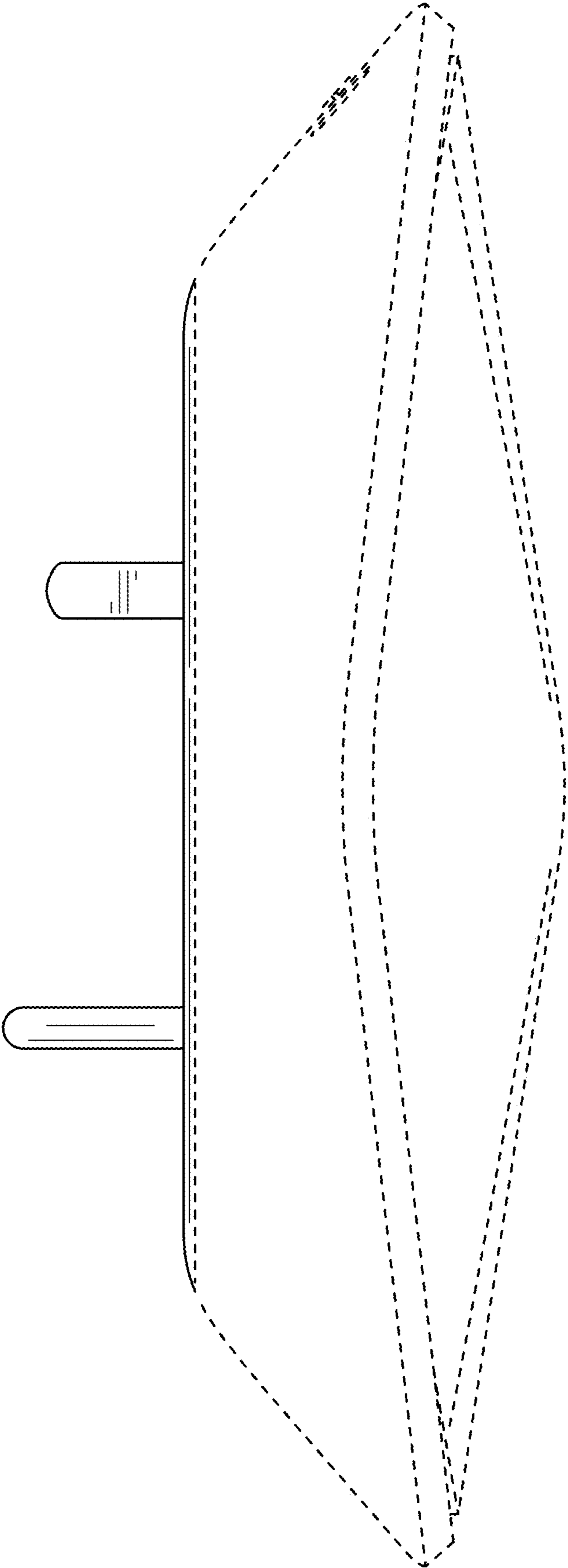


FIG. 3

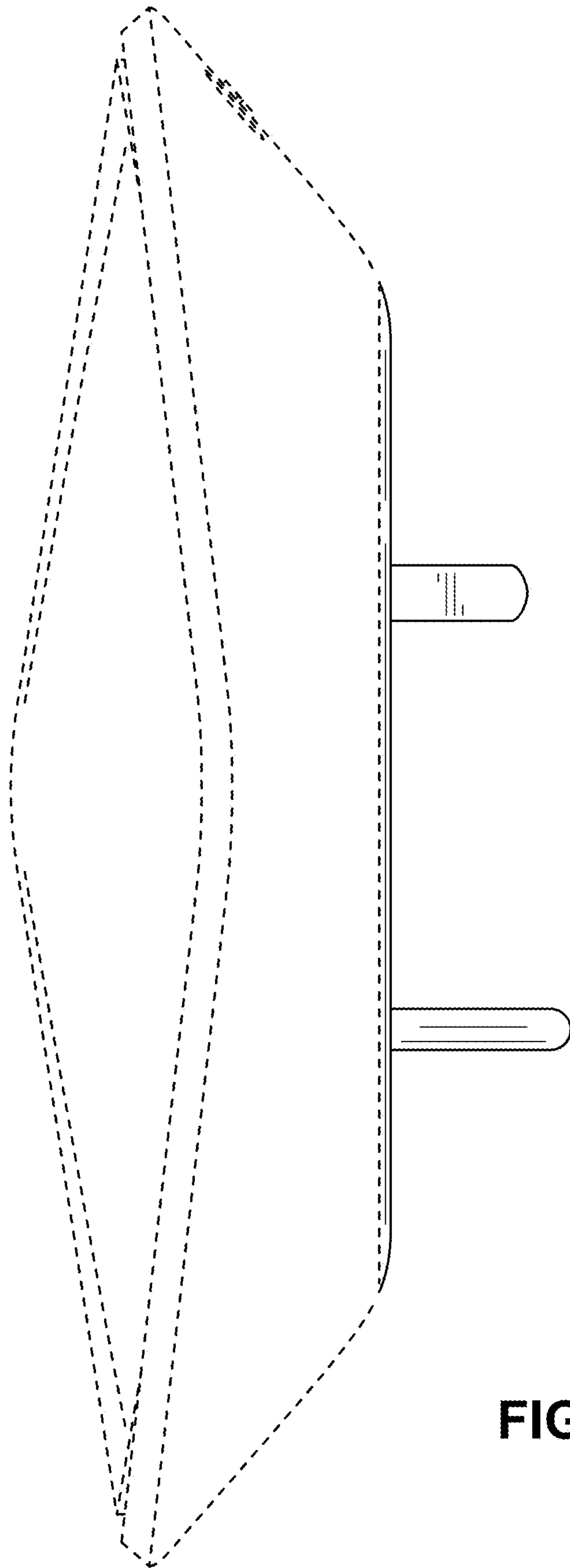


FIG. 4

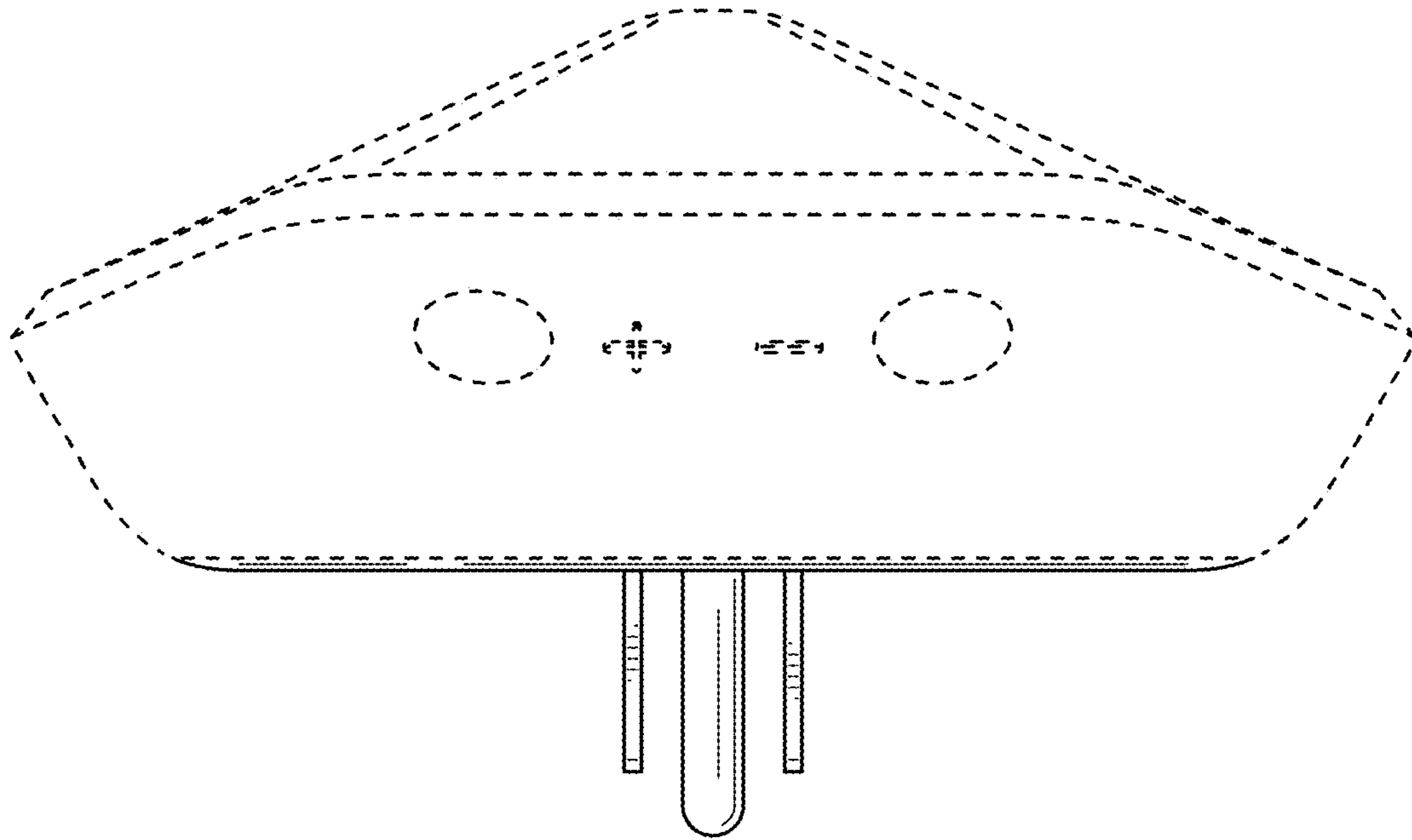


FIG. 5

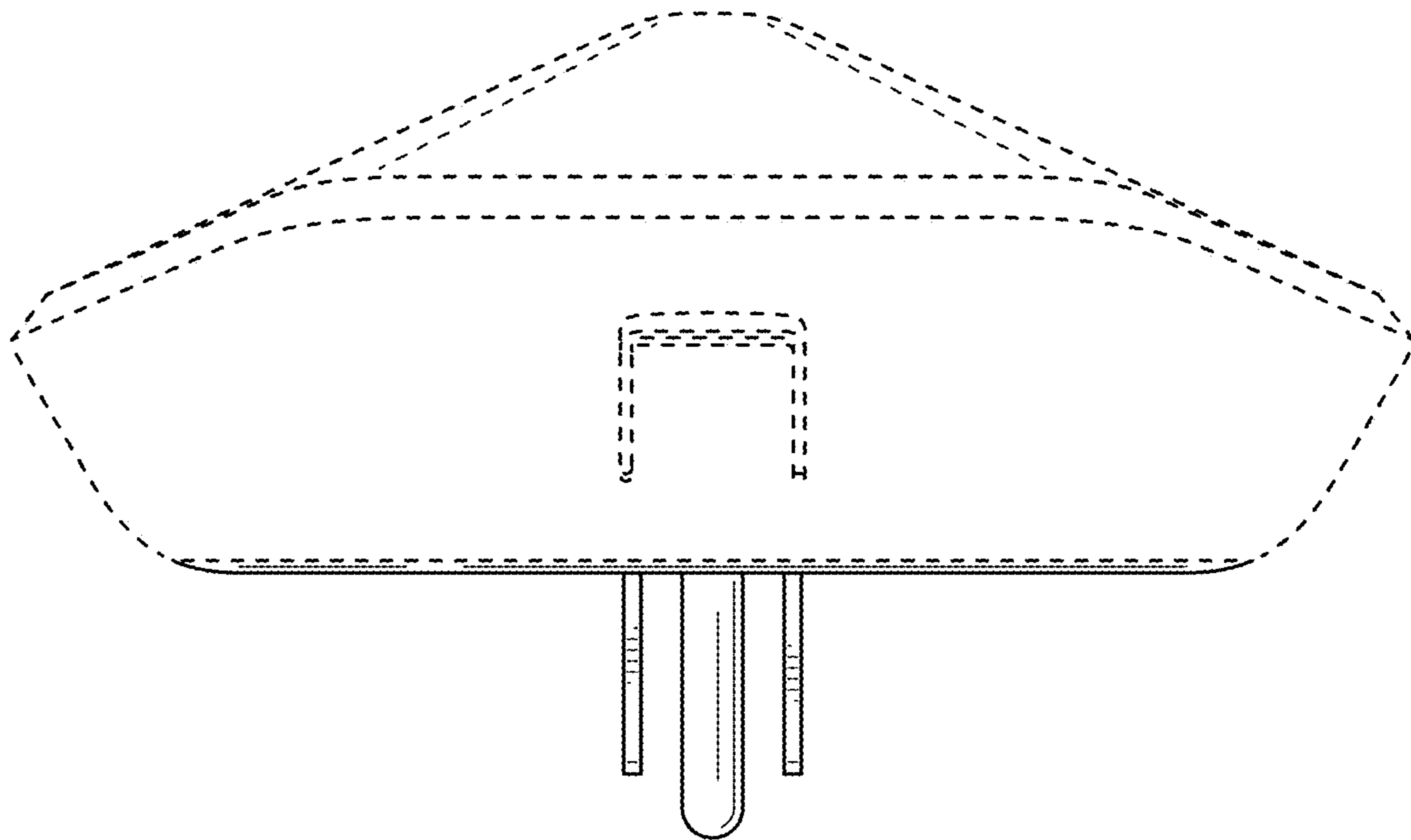


FIG. 6