



US00D926683S

(12) **United States Design Patent** (10) **Patent No.:** **US D926,683 S**
Liao (45) **Date of Patent:** **** *Aug. 3, 2021**

(54) **WIRELESS CHARGING STAND**
(71) Applicant: **GUANGDONG GOPOD GROUP CO., LTD.**, Shenzhen (CN)
(72) Inventor: **Zhuowen Liao**, Shenzhen (CN)
(*) Notice: This patent is subject to a terminal disclaimer.
(**) Term: **15 Years**
(21) Appl. No.: **29/719,267**
(22) Filed: **Jan. 2, 2020**
(30) **Foreign Application Priority Data**
Oct. 30, 2019 (CN) 201930595417.0
(51) **LOC (13) Cl.** **13-02**
(52) **U.S. Cl.**
USPC **D13/108; D14/252**
(58) **Field of Classification Search**
USPC D13/101, 103, 107, 108, 118, 119;
D6/682, 682.1; D14/251, 252, 253, 432,
D14/434, 447
CPC H04B 1/3877; H04B 1/3883; H04M 1/06;
G04G 19/02
See application file for complete search history.

(56) **References Cited**
U.S. PATENT DOCUMENTS
D554,107 S * 10/2007 Calco D14/217
D825,575 S * 8/2018 Gao D14/447
D870,041 S * 12/2019 Choi D13/108
D874,452 S * 2/2020 Chen D14/252
D875,679 S * 2/2020 Yi D13/108
D884,621 S * 5/2020 Feng D13/108
D892,046 S * 8/2020 Peng D13/108
D896,174 S * 9/2020 Li D13/108
D906,345 S * 12/2020 Chen D14/447

2015/0180524 A1* 6/2015 Lambert G06F 1/1632
455/575.1
2016/0195898 A1* 7/2016 Lau H04M 1/04
361/679.41
2016/0261139 A1* 9/2016 Kidakarn H02J 50/10
2020/0052506 A1* 2/2020 Green H02J 7/0027

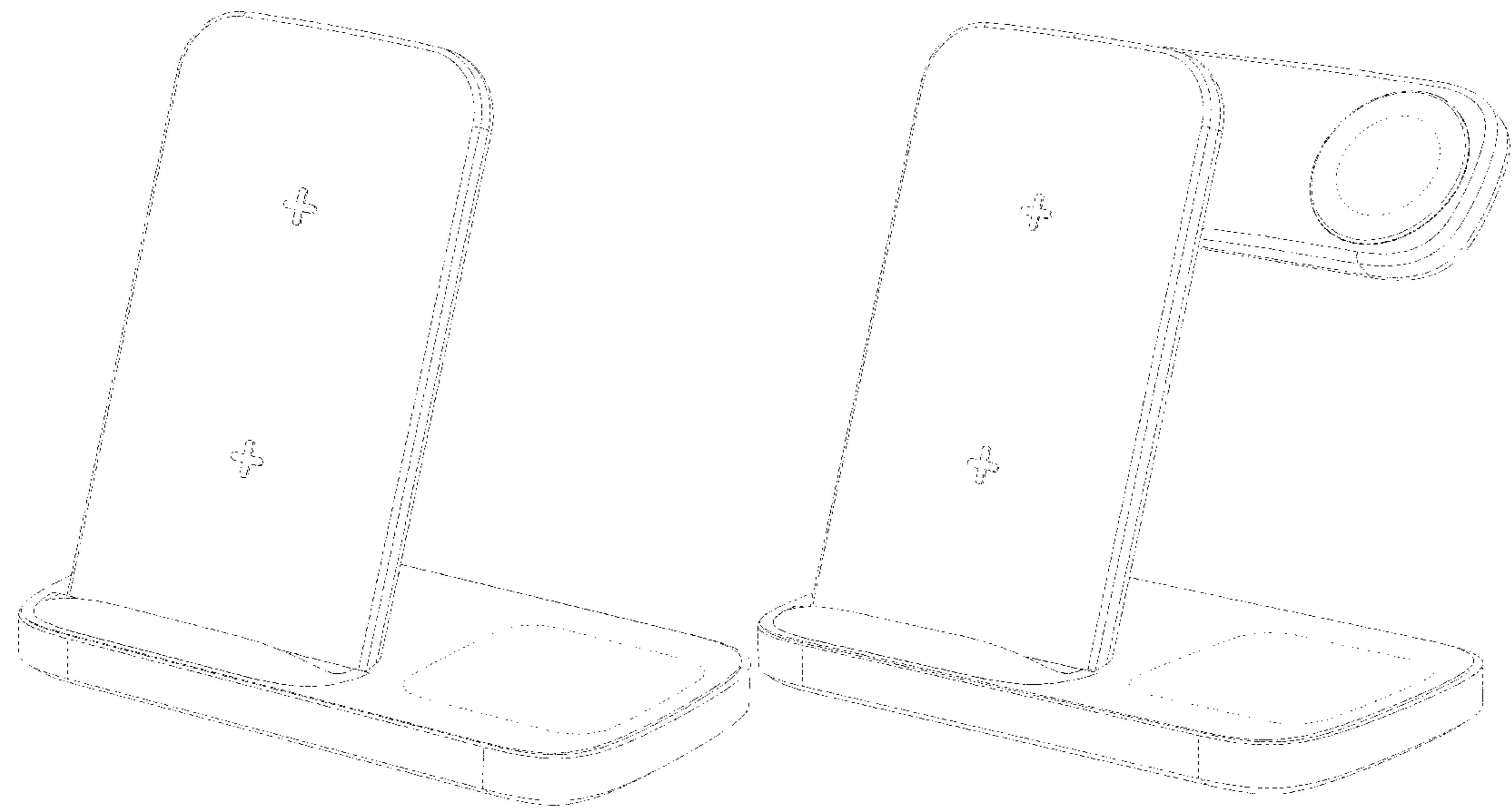
OTHER PUBLICATIONS
“Powlaken Wireless Charger”. Found online Feb. 10, 2021 at amazon.com. Reference dated Oct. 10, 2019. Retrieved from https://www.amazon.com/dp/B07YY3SDHM/ref=sspa_dk_detailL3 (Year: 2019).*

(Continued)
Primary Examiner — Kendra Leslie Hamilton
Assistant Examiner — Amanda Christensen

(57) **CLAIM**
The ornamental design for a wireless charging stand, as shown and described.

DESCRIPTION
FIG. 1 is a top, front, right side perspective view of a wireless charging stand, showing my new design in a first configuration;
FIG. 2 is a top, rear, right side perspective view thereof;
FIG. 3 is a front elevation view thereof;
FIG. 4 is a left side elevation view thereof;
FIG. 5 is a rear elevation view thereof;
FIG. 6 is a right side elevation view thereof;
FIG. 7 is a top plan view thereof;
FIG. 8 is a bottom plan view thereof; and,
FIG. 9 is a top, front, right side perspective view of the wireless charging stand of FIG. 1, shown in a second configuration.
The broken lines in the drawings depict portions of the wireless charging stand that form no part of the claimed design.

1 Claim, 9 Drawing Sheets



(56)

References Cited

OTHER PUBLICATIONS

“Hoidokly Dual Wireless Charger”. Found online Feb. 10, 2021 at amazon.co.uk. Reference dated May 15, 2019. Retrieved from https://www.amazon.co.uk/dp/B07S6ZDDQF/ref=sspa_dk_detailL5. (Year: 2019).*

“Belkin Charge Dock”. Found online Feb. 10, 2021 at amazon.com. Reference dated Oct. 15, 2018. Retrieved from https://www.amazon.com/Belkin-Powerhouse-Charge-iPhone-Charging/dp/B07HMBQL58/ref=psdc_2407761011_t3_B081J53ZRQ. (Year: 2018).*

* cited by examiner

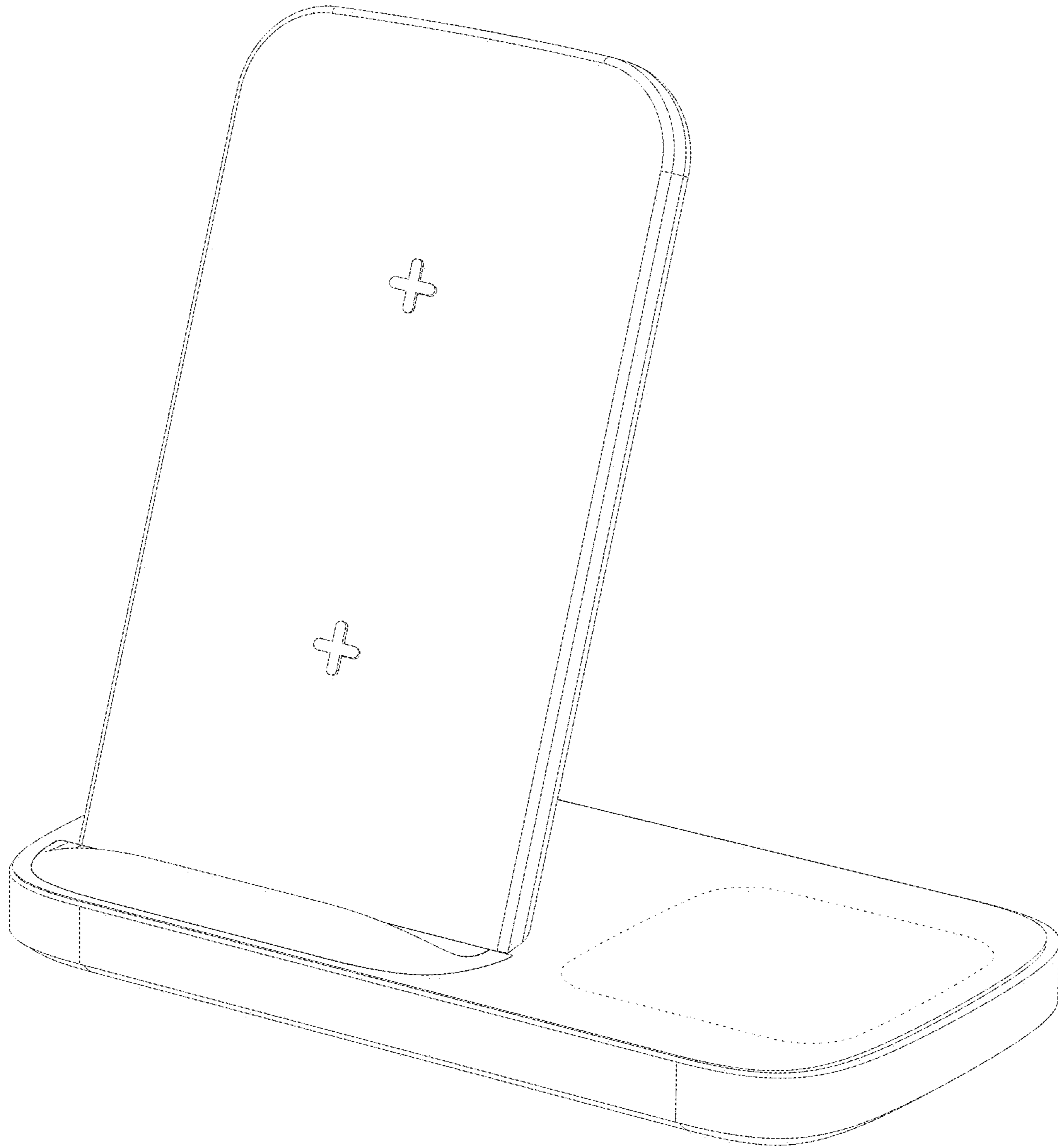


Fig. 1

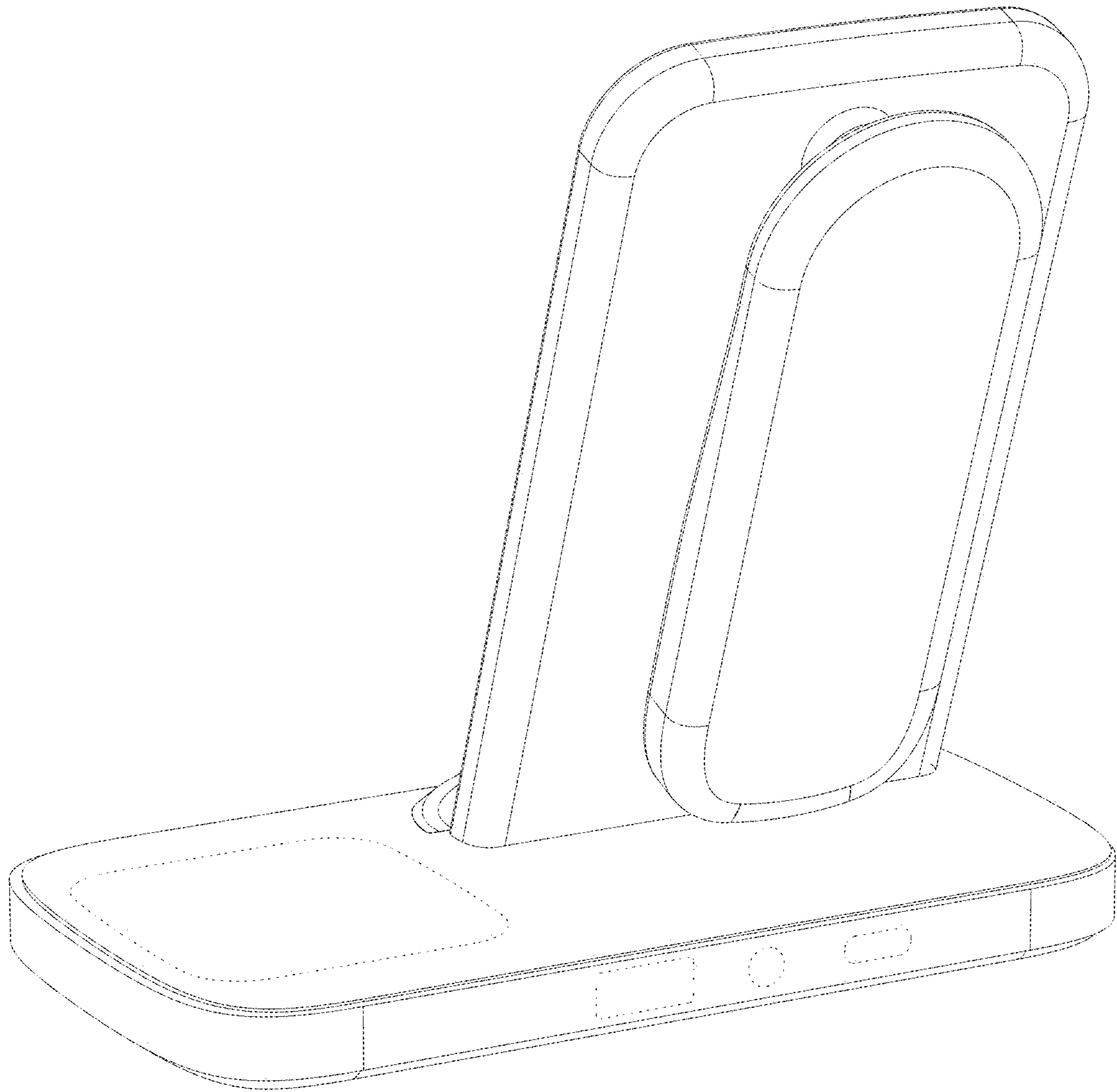


Fig. 2

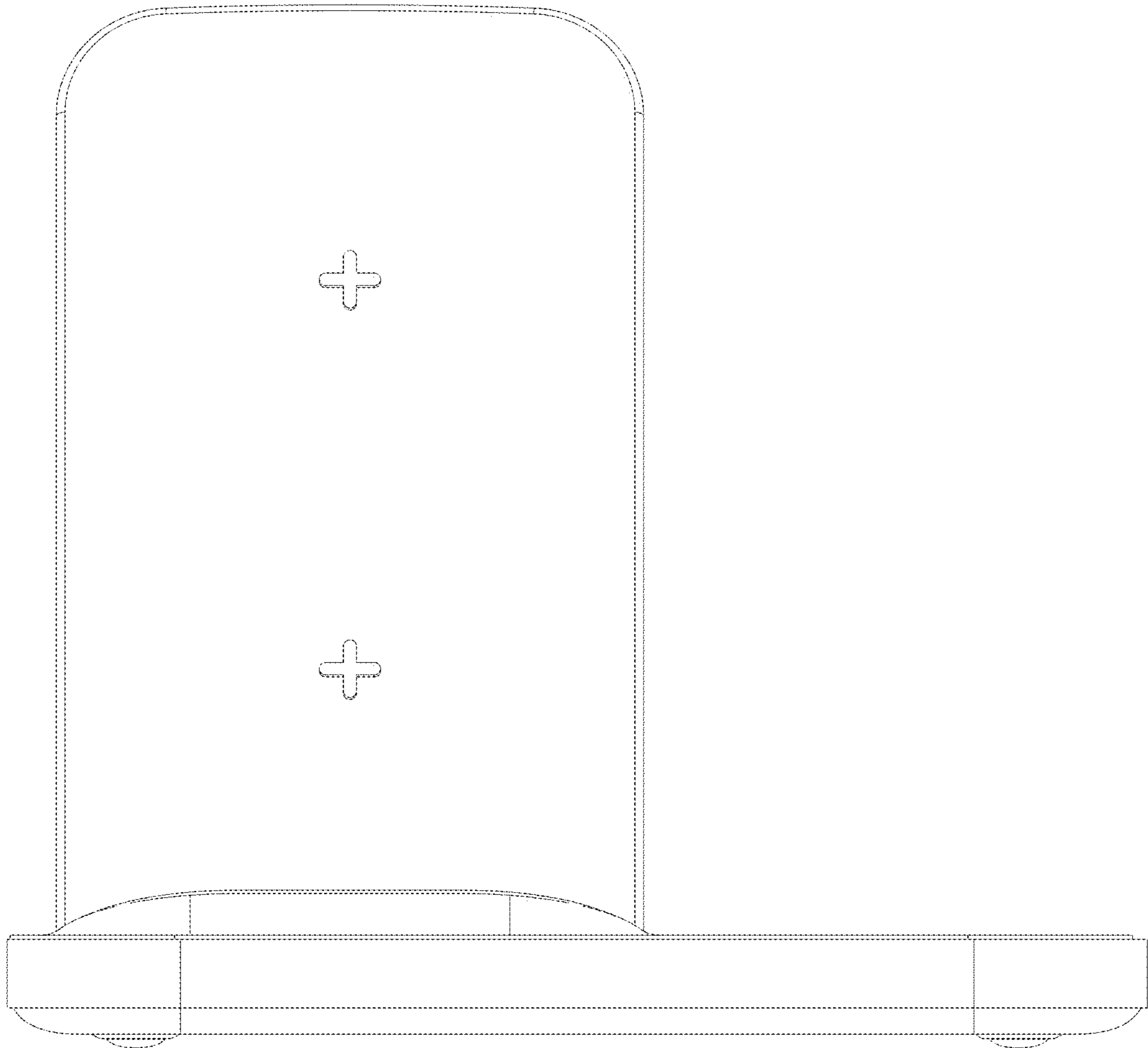


Fig. 3

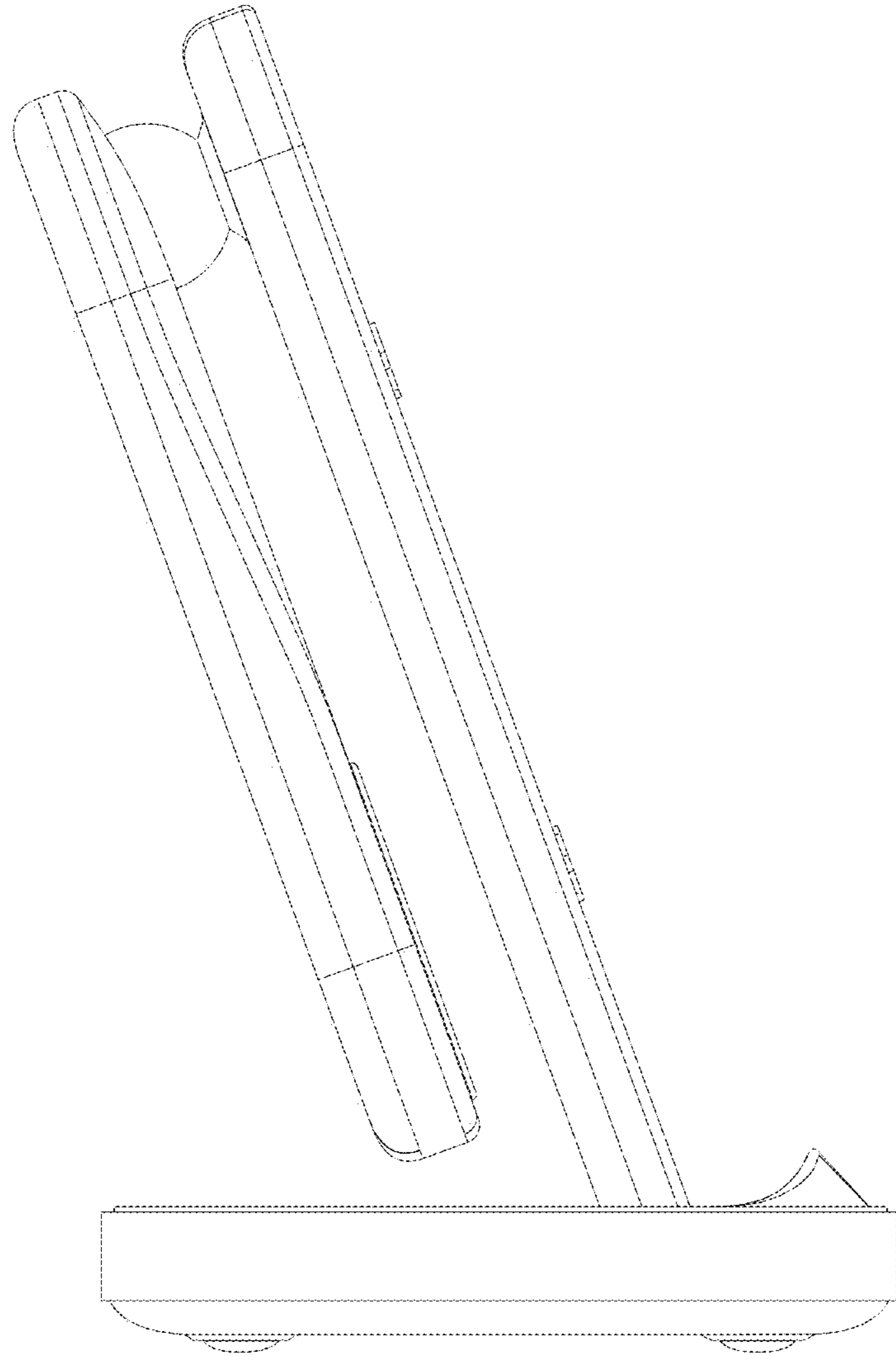


Fig. 4

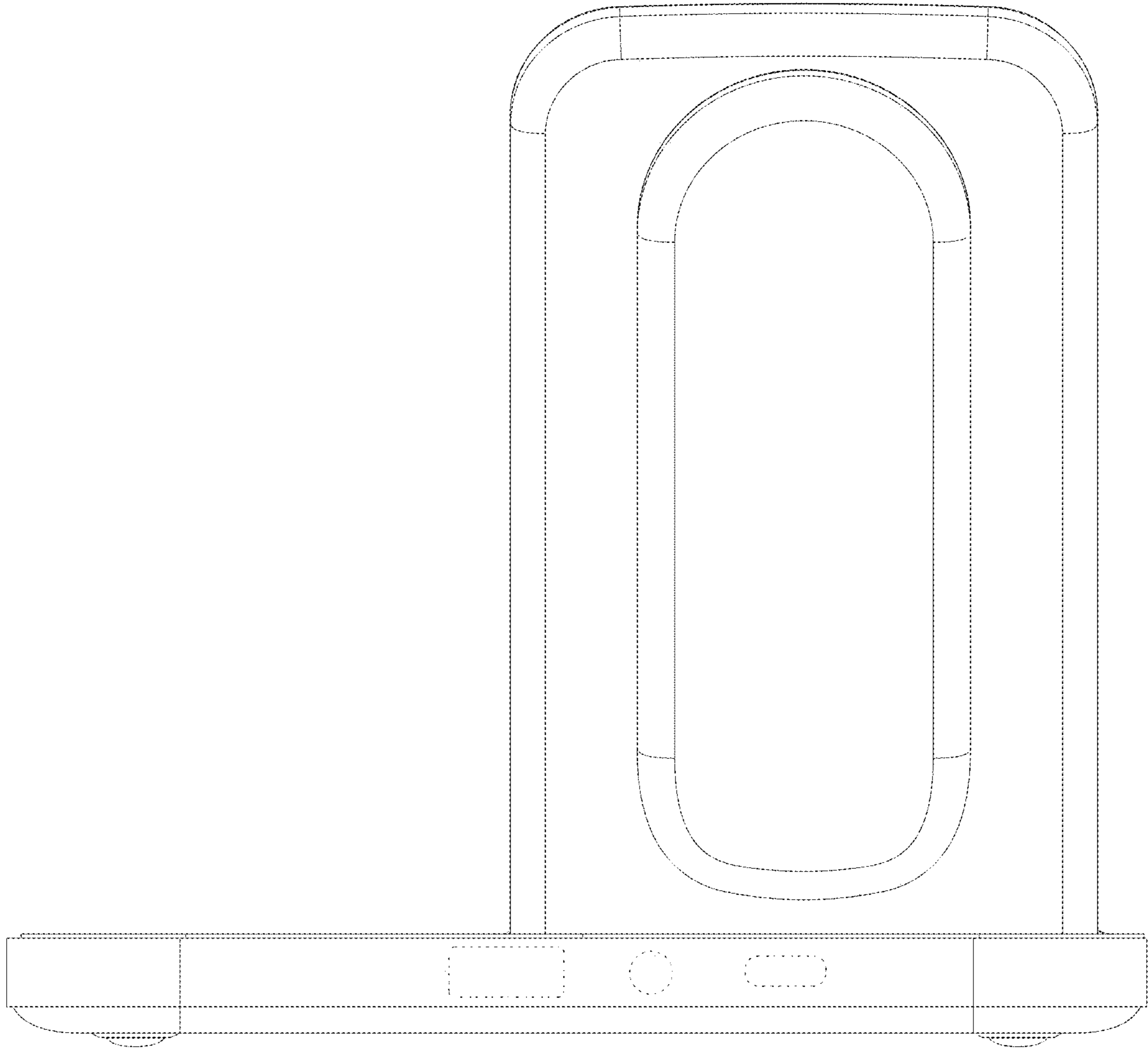


Fig. 5

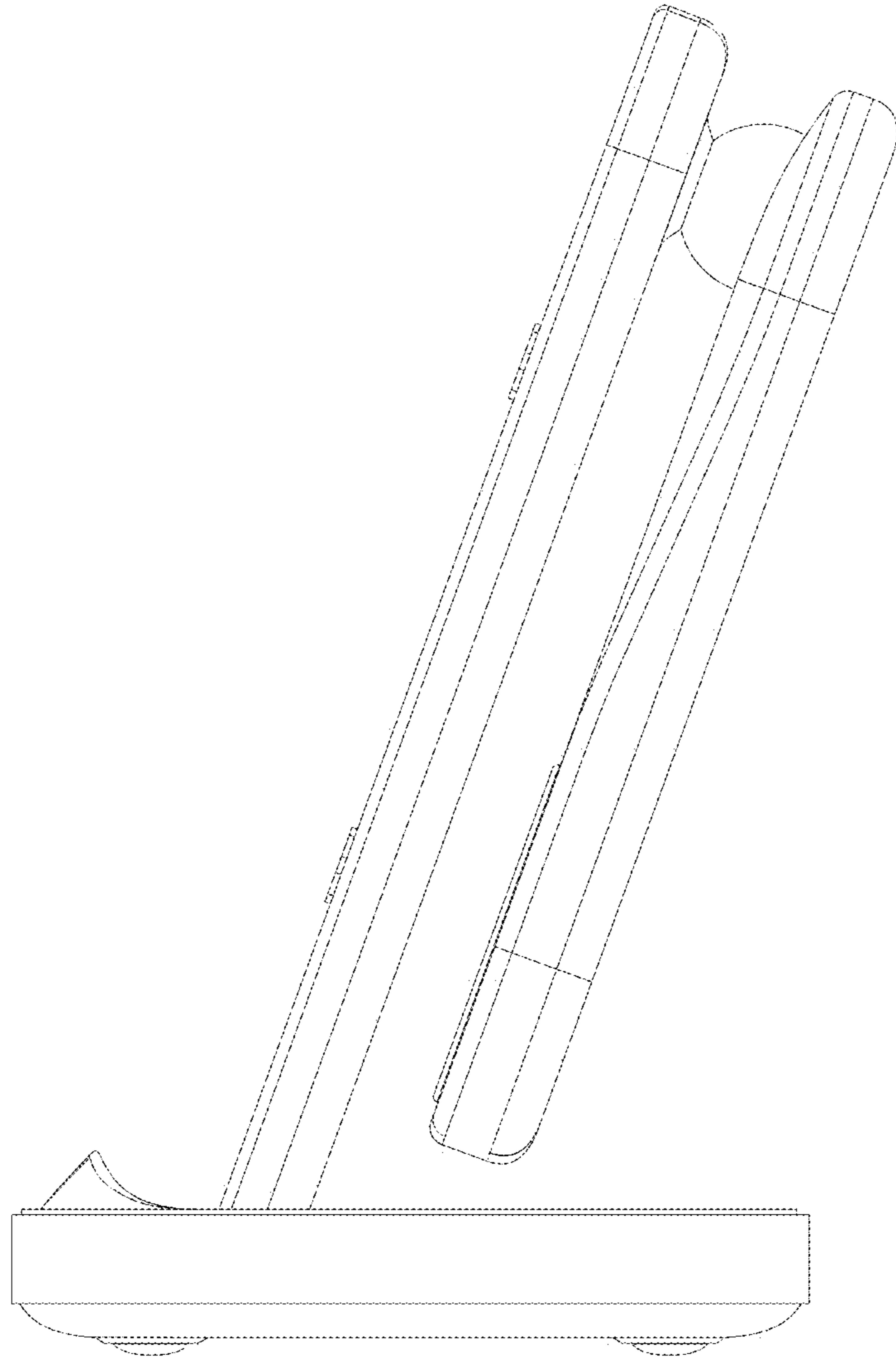


Fig. 6

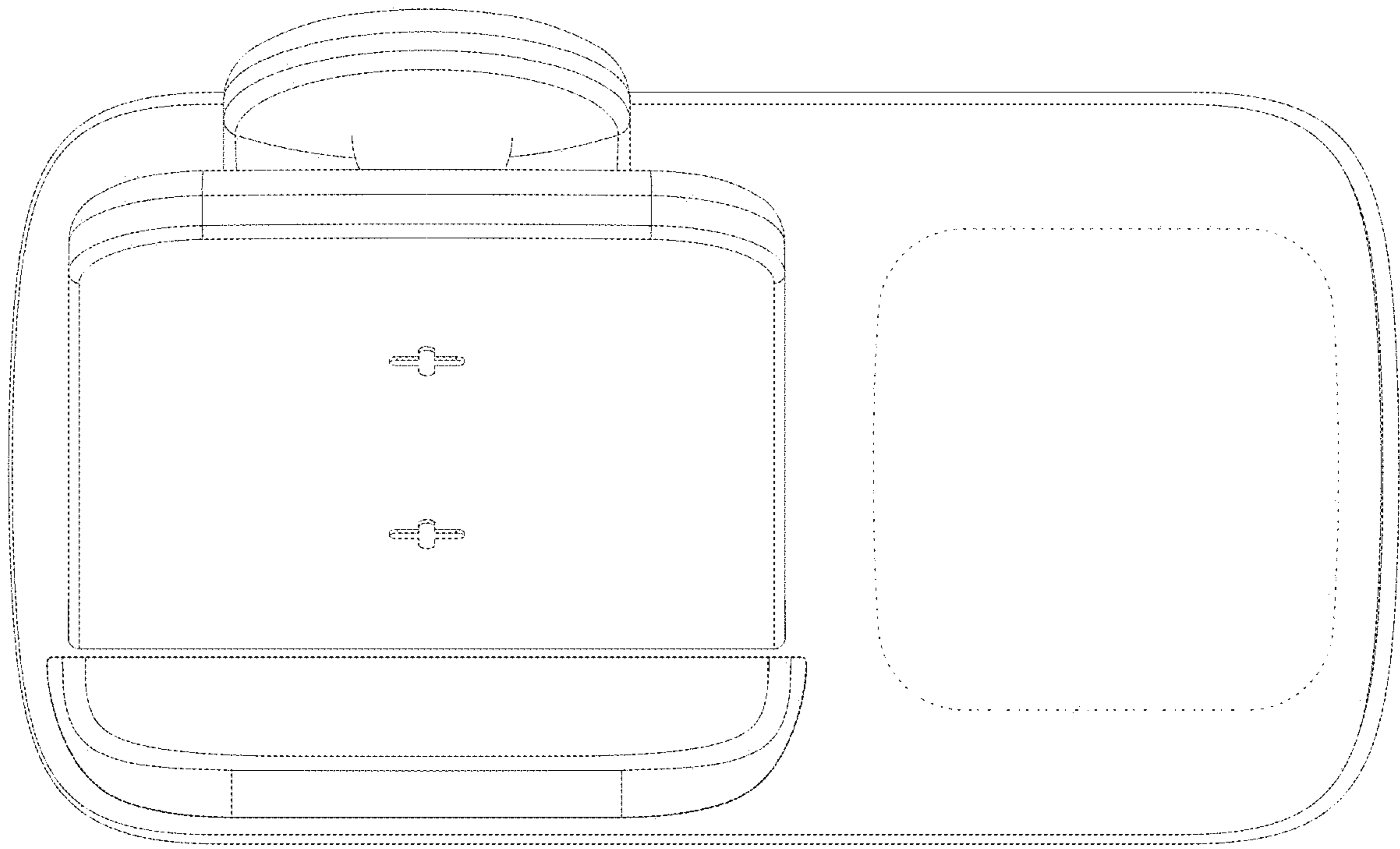


Fig.7

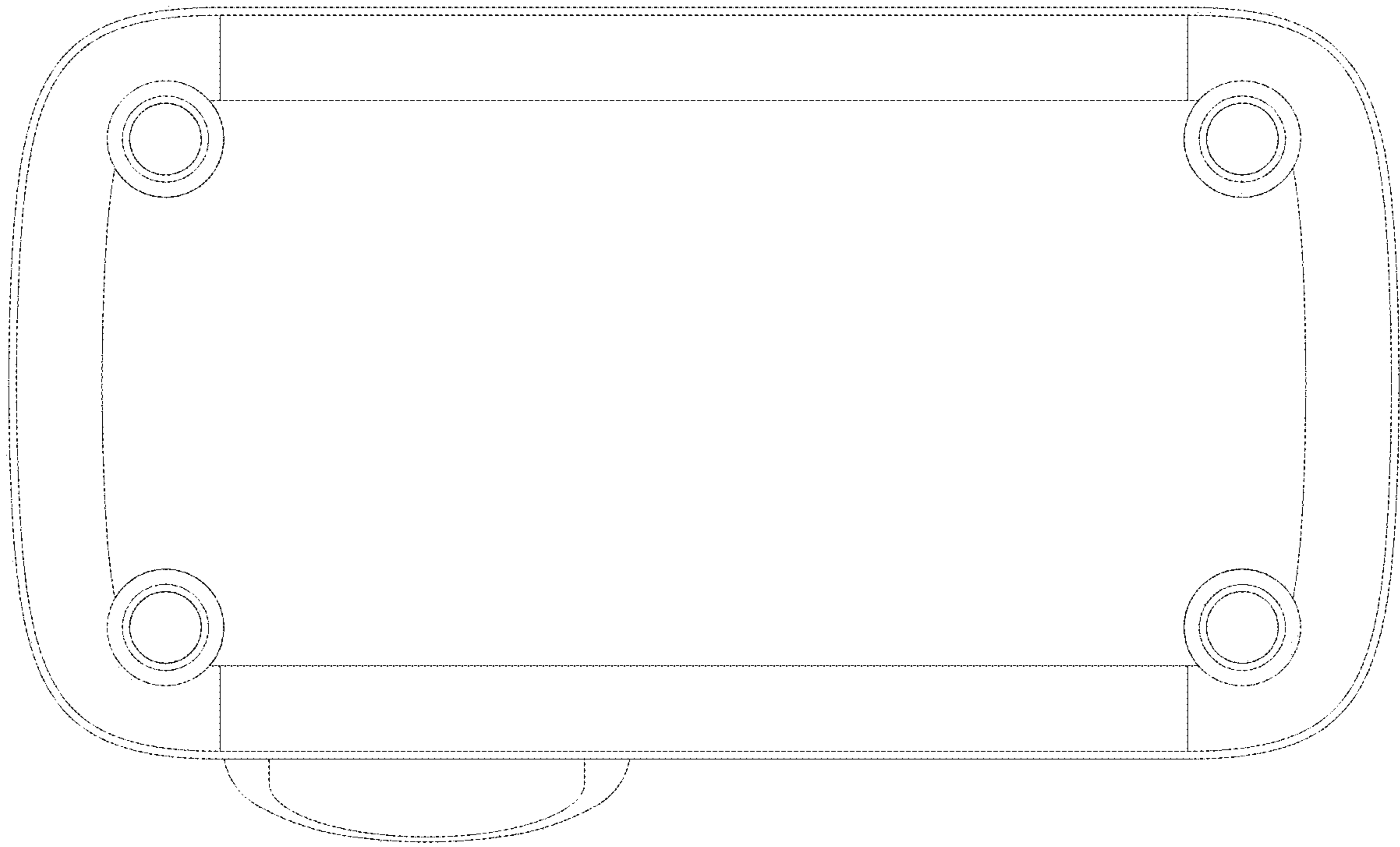


Fig. 8

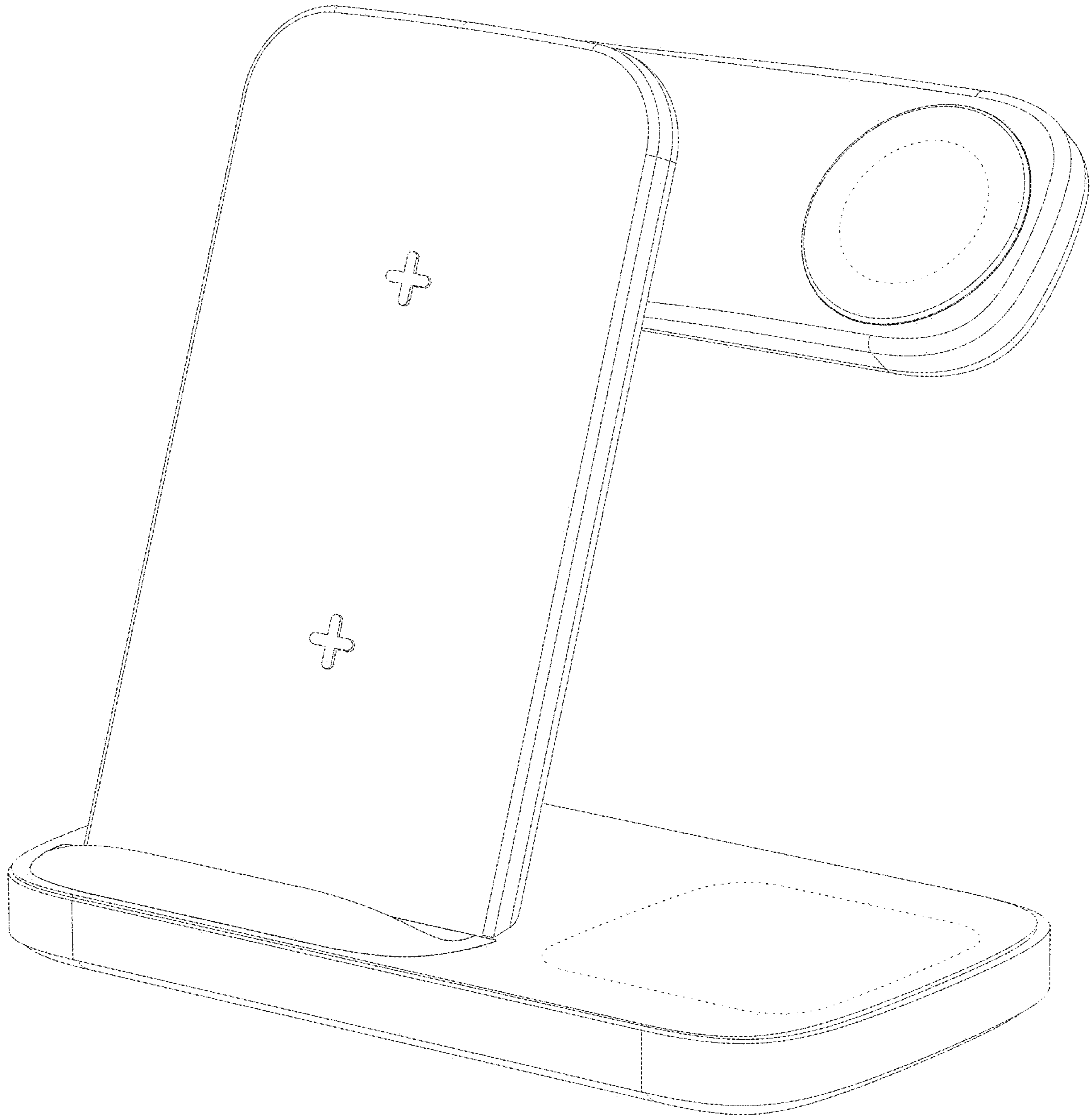


Fig. 9