



US00D926682S

(12) **United States Design Patent** (10) **Patent No.:** **US D926,682 S**  
**Liao** (45) **Date of Patent:** **\*\* Aug. 3, 2021**

(54) **CHARGER**

(71) Applicant: **GUANGDONG GOPOD GROUP CO., LTD.**, Shenzhen (CN)  
(72) Inventor: **Zhuowen Liao**, Shenzhen (CN)  
(\*\*) Term: **15 Years**  
(21) Appl. No.: **29/718,911**  
(22) Filed: **Dec. 30, 2019**  
(51) **LOC (13) Cl.** ..... **13-02**  
(52) **U.S. Cl.**  
USPC ..... **D13/108**  
(58) **Field of Classification Search**  
USPC ..... D13/101, 103, 107, 108, 109, 110, 117, D13/118, 119, 120, 123, 133, 137.1, D13/137.2, 137.4, 138.1, 138.2, 139.7, D13/146, 153, 199; D14/137, 230, 233, D14/234, 432, 433; D16/242, 243  
CPC ..... H01R 29/00; H01R 11/00; H01R 13/46  
See application file for complete search history.

(56) **References Cited**

**U.S. PATENT DOCUMENTS**

D434,370 S *	11/2000	Sun	.....	D13/107
D663,687 S *	7/2012	Liu	.....	D13/108
D671,489 S *	11/2012	Zaslavsky	.....	D13/110
D730,823 S *	6/2015	Leung	.....	D13/108
D731,969 S *	6/2015	Ackloo	.....	D13/110
D786,788 S *	5/2017	Chen	.....	D13/108
D819,566 S *	6/2018	Hung	.....	D13/110
D827,567 S *	9/2018	Nauroy	.....	D13/108
D834,516 S *	11/2018	Jin	.....	D13/108
D892,735 S *	8/2020	Zhang	.....	D13/108
2009/0237031 A1 *	9/2009	McSweyn	.....	H02J 7/0044 320/114
2010/0117597 A1 *	5/2010	Wang	.....	H02J 7/0042 320/111
2019/0081431 A1 *	3/2019	Heyman	.....	H01R 31/065

**OTHER PUBLICATIONS**

“Baseus Multiport GaN Charger”. Found online Jan. 15, 2021 at youtube.com. Reference dated Sep. 12, 2019. Retrieved from https://www.youtube.com/watch?v=4xWkMP4AcMc&feature=emb\_logo. (Year: 2019).\*  
“Chargeasap Omega Charger”. Found online Jan. 15, 2021 at imore.com. Reference dated Sep. 27, 2020. Retrieved from https://www.imore.com/chargeasap-omega-gan-usb-c-charger-review. (Year: 2020).\*  
“USB Wall Charger”. Found online Jan. 15, 2021 at amazon.com. Reference dated Dec. 18, 2018. Retrieved from https://www.amazon.com/Charger-Bralon-2-Pack-Adapter-Compatible/dp/B07D5SVZYC/ref=sr\_1\_18. (Year: 2018).\*

\* cited by examiner

*Primary Examiner* — Kendra Leslie Hamilton  
*Assistant Examiner* — Amanda Christensen

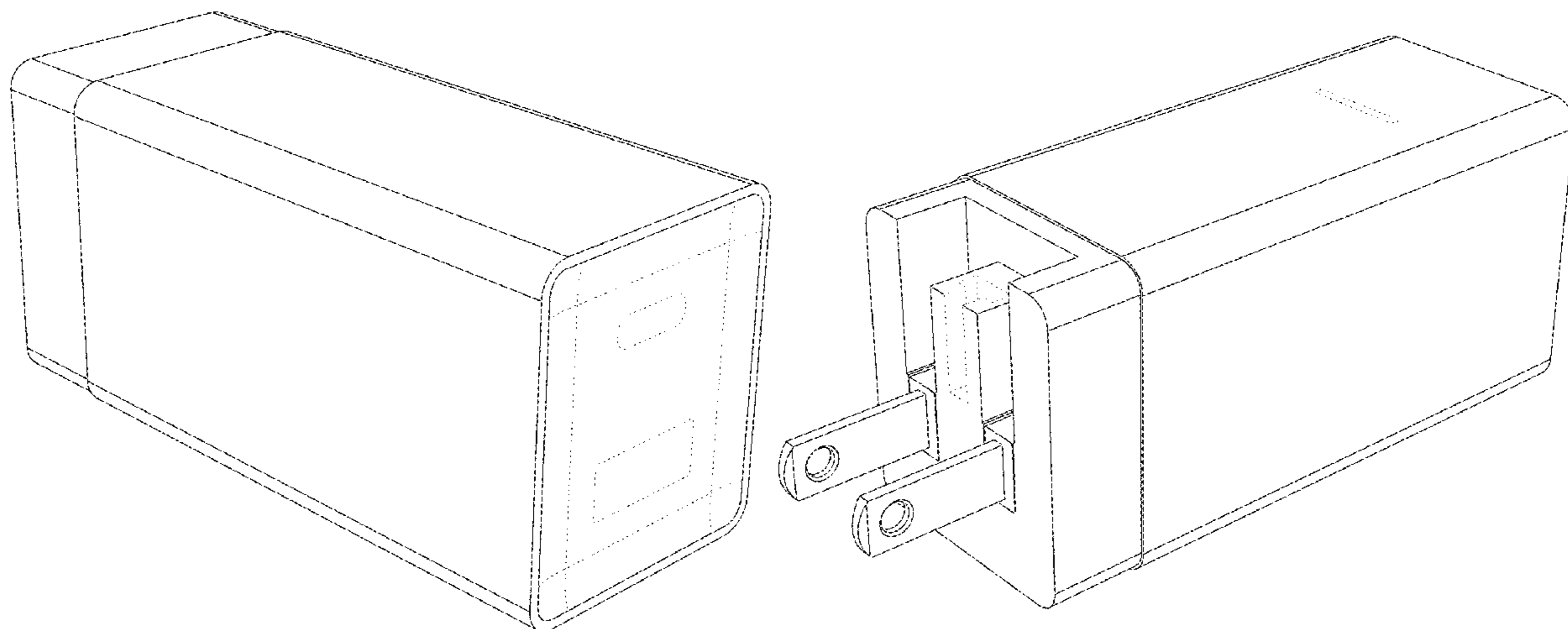
(57) **CLAIM**

The ornamental design for a charger, as shown and described.

**DESCRIPTION**

FIG. 1 is a bottom, front, right side perspective view of a charger, showing my new design in a first configuration; FIG. 2 is a top, rear, left side perspective view thereof; FIG. 3 is a front elevation view thereof; FIG. 4 is a rear elevation view thereof; FIG. 5 is a left side elevation view thereof; FIG. 6 is a right side elevation view thereof; FIG. 7 is a top plan view thereof; FIG. 8 is a bottom plan view thereof; and, FIG. 9 is a top, rear, left side perspective view of the charger of FIG. 1, shown in a second configuration. The broken lines in the figures depict portions of the charger that form no part of the claimed design.

**1 Claim, 9 Drawing Sheets**



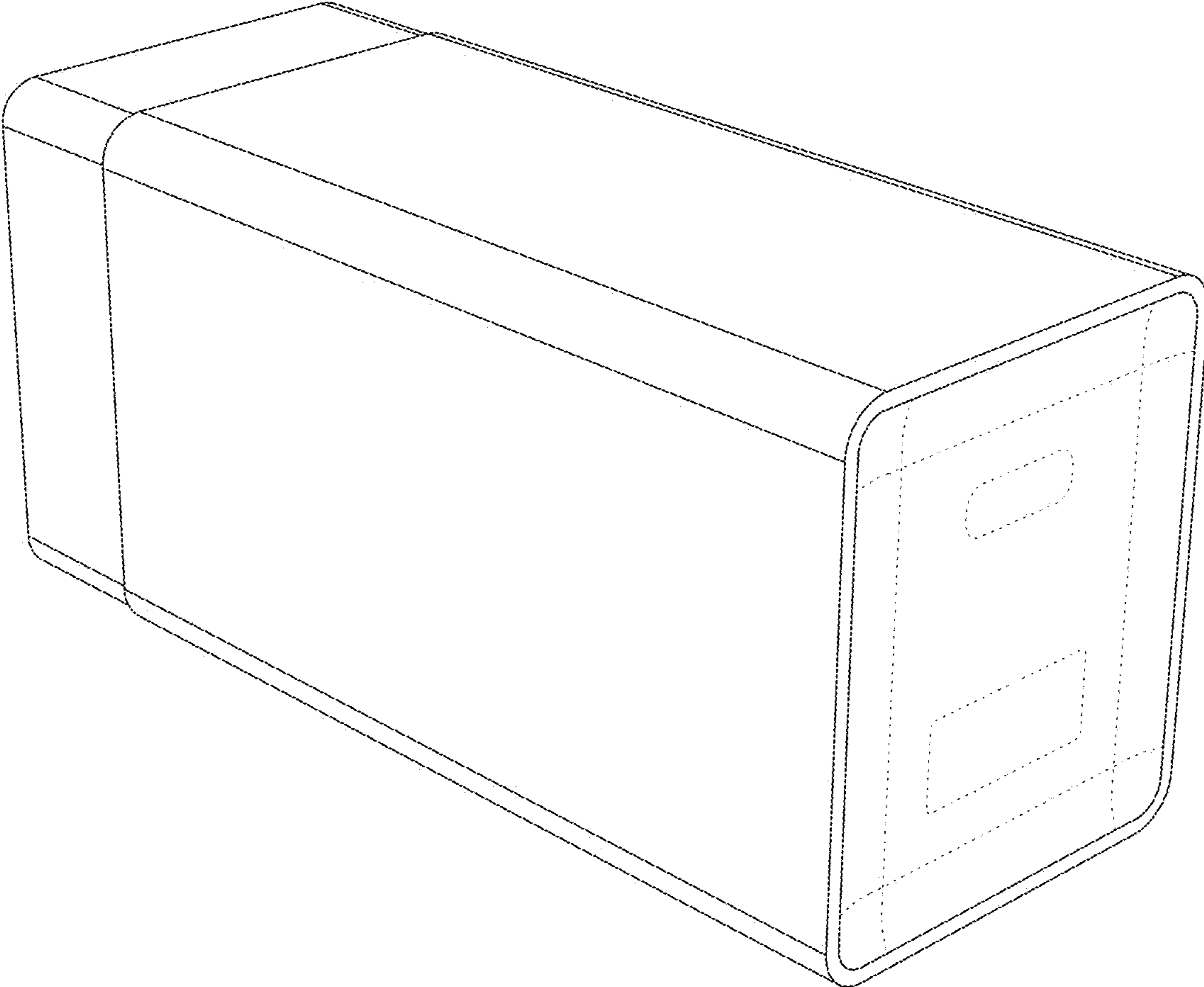


Fig. 1

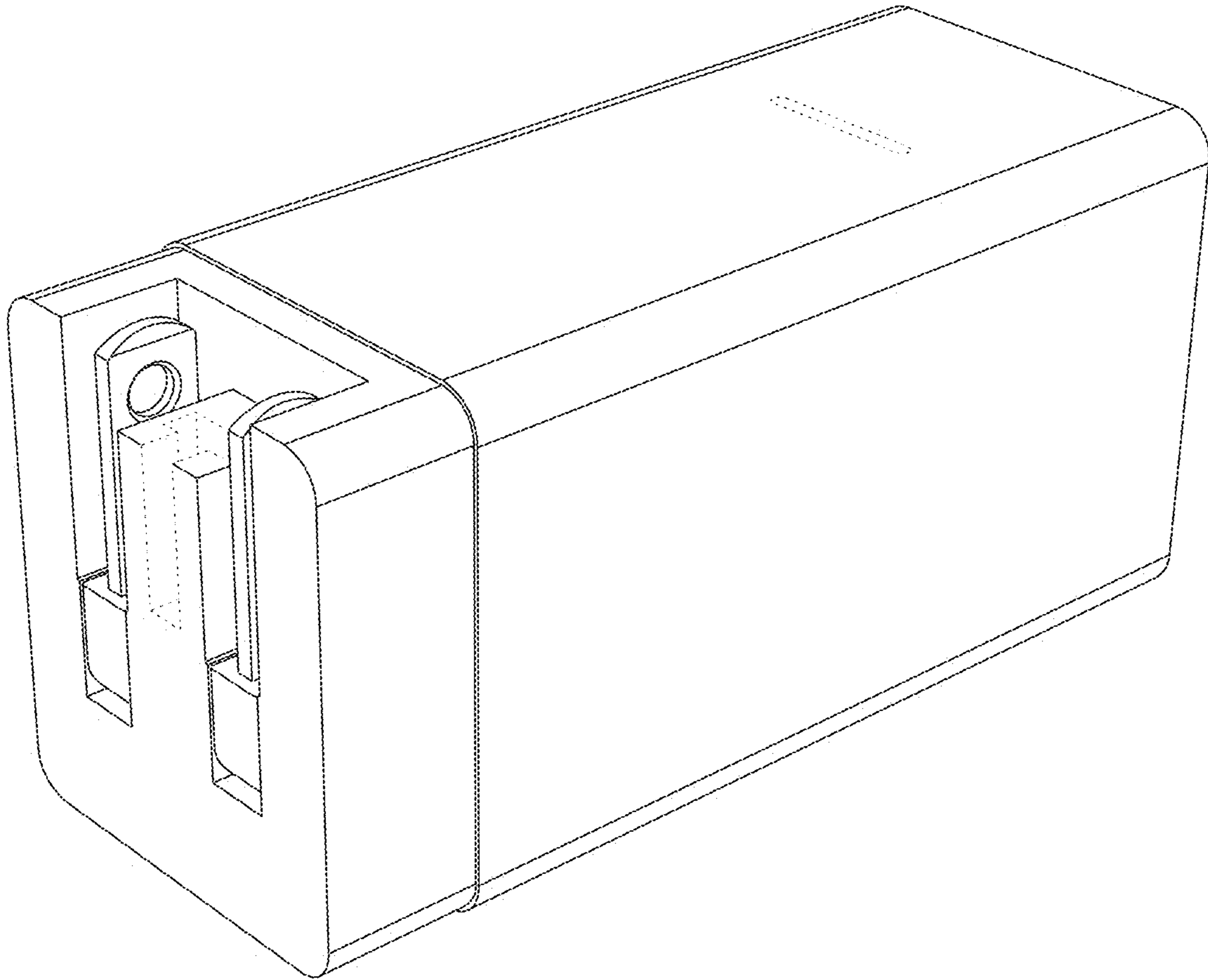


Fig. 2

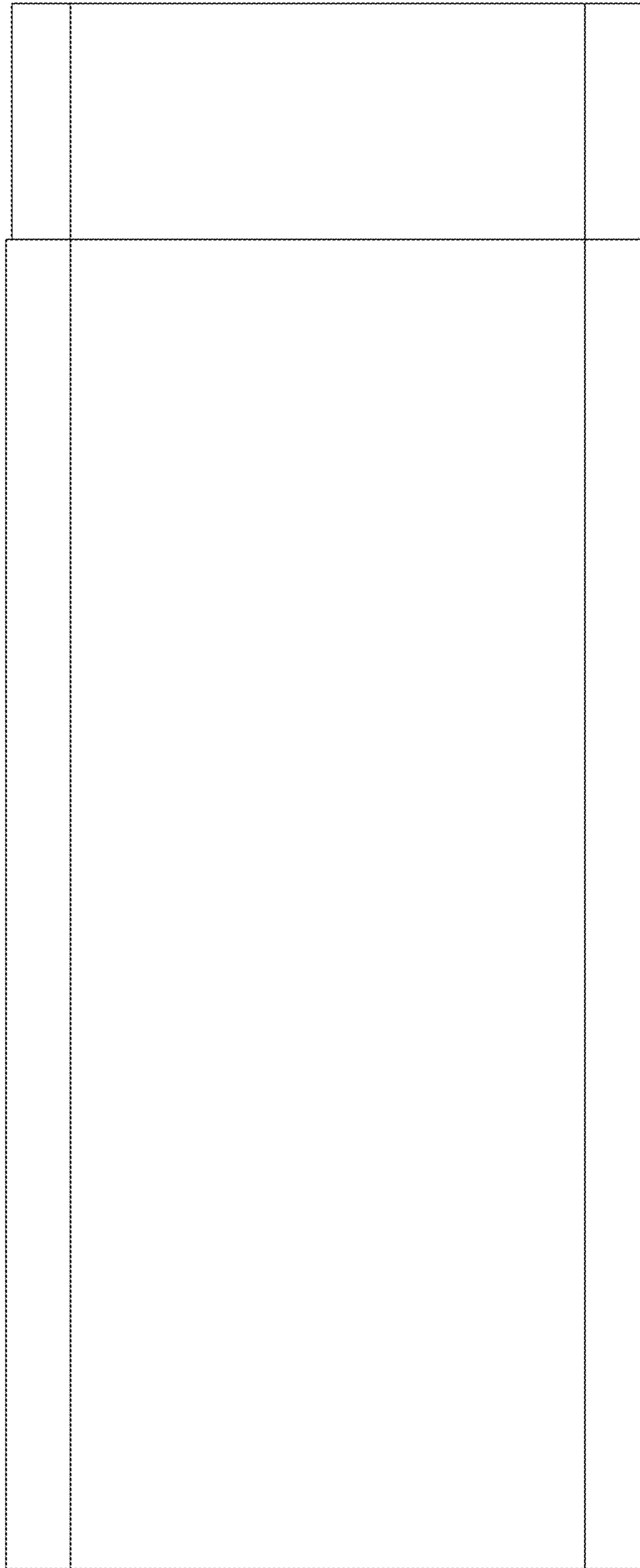


Fig. 3

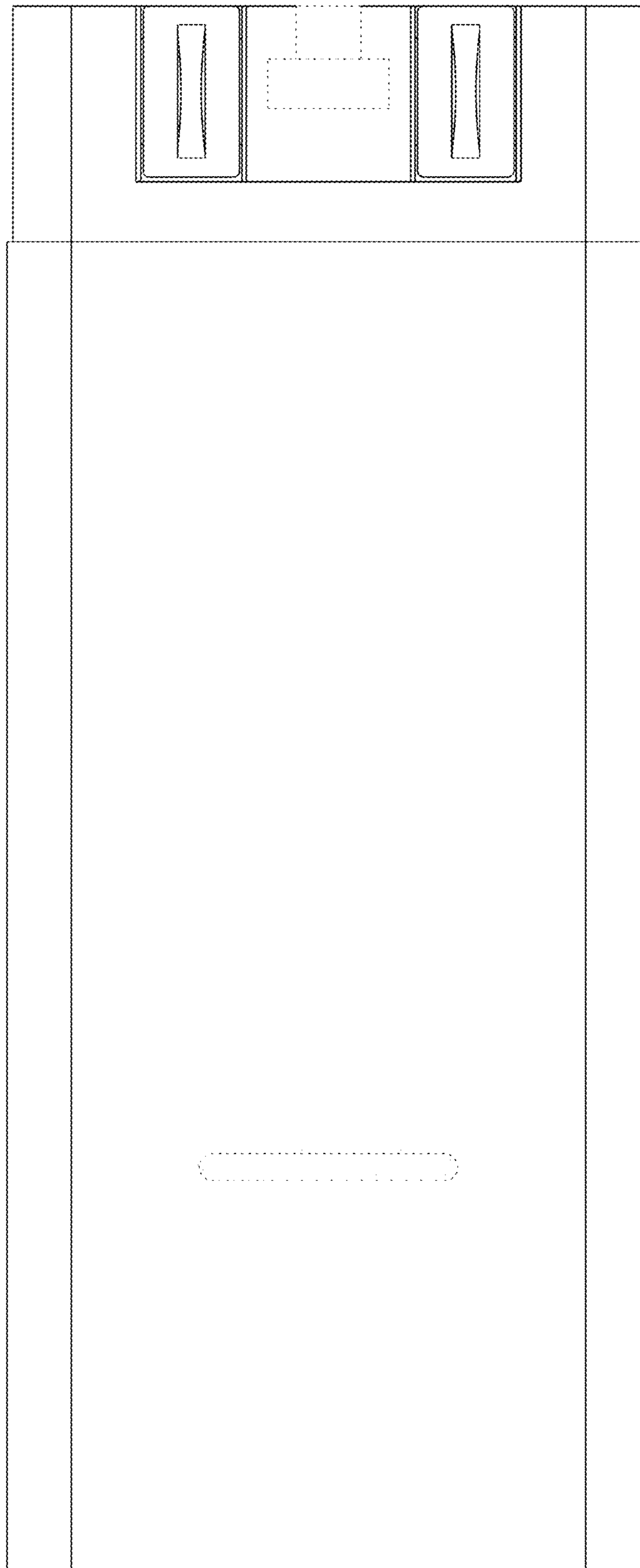


Fig. 4

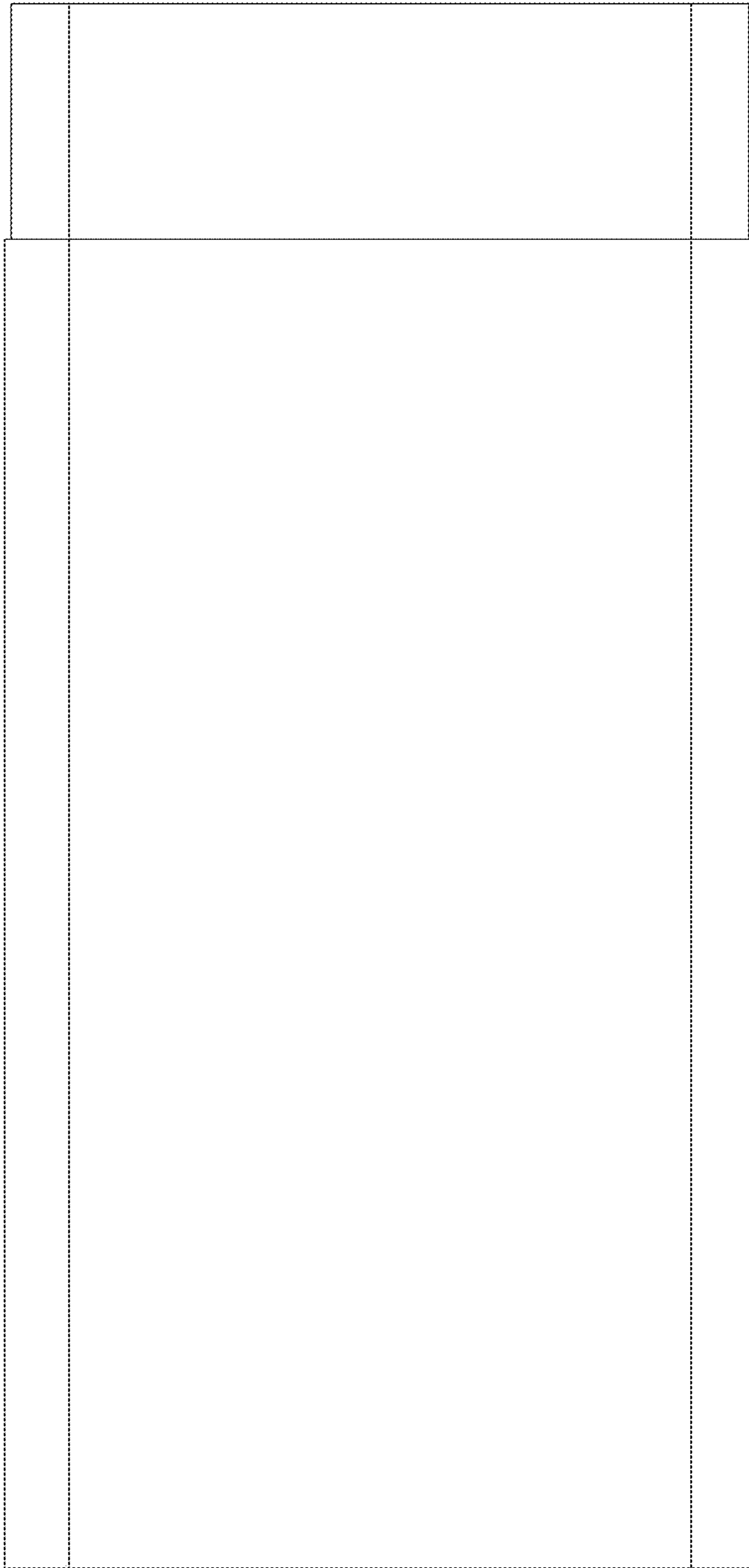


Fig. 5

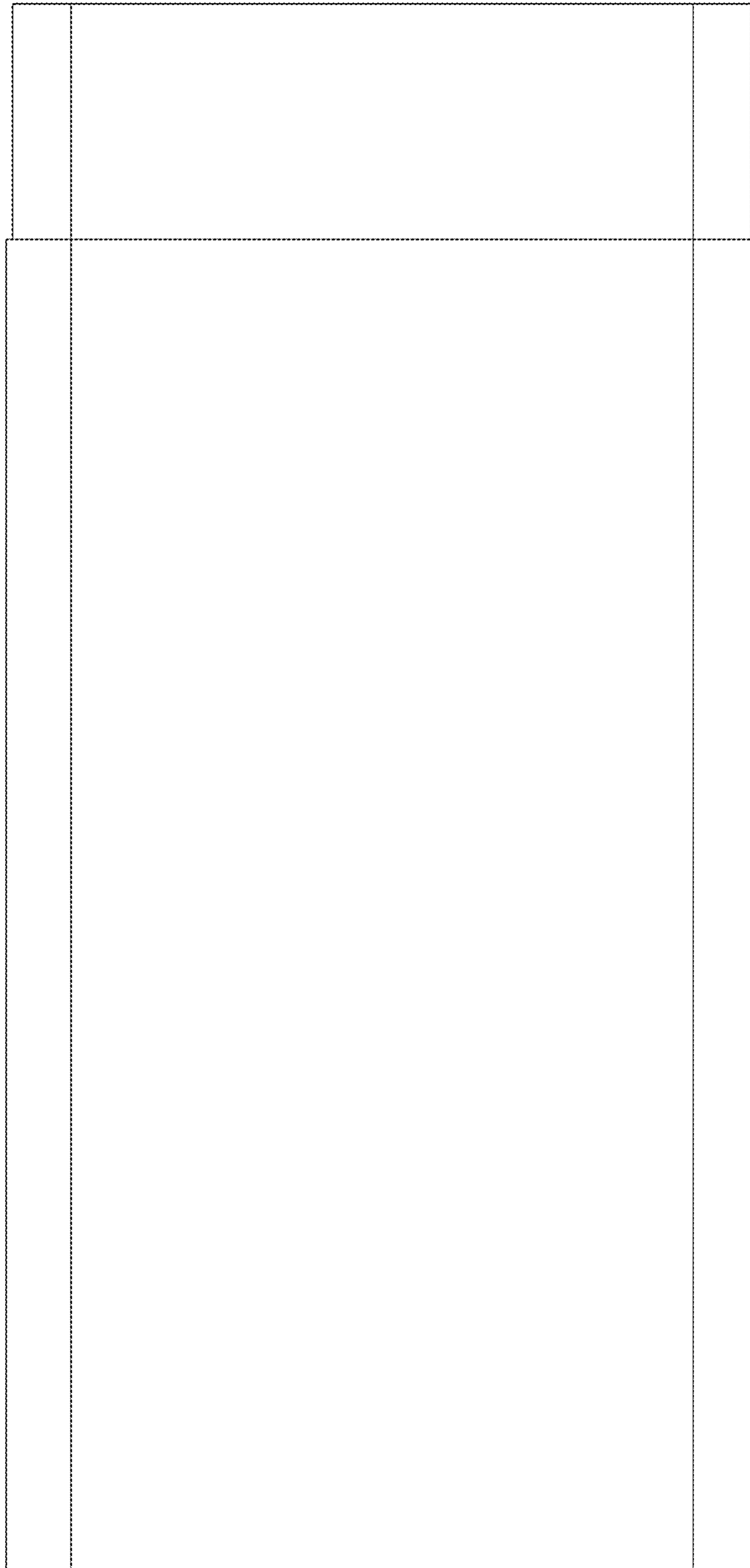


Fig. 6

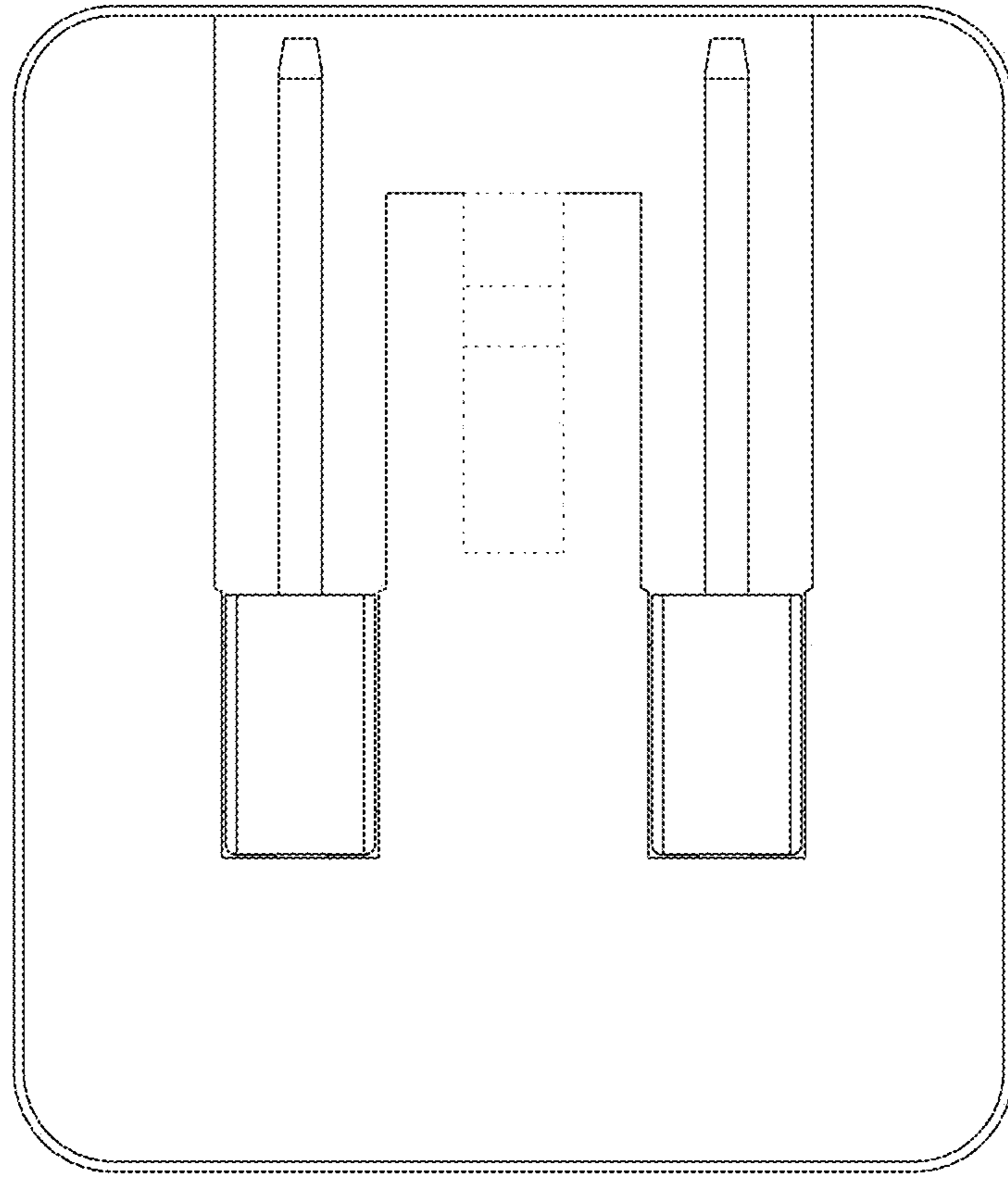


Fig. 7



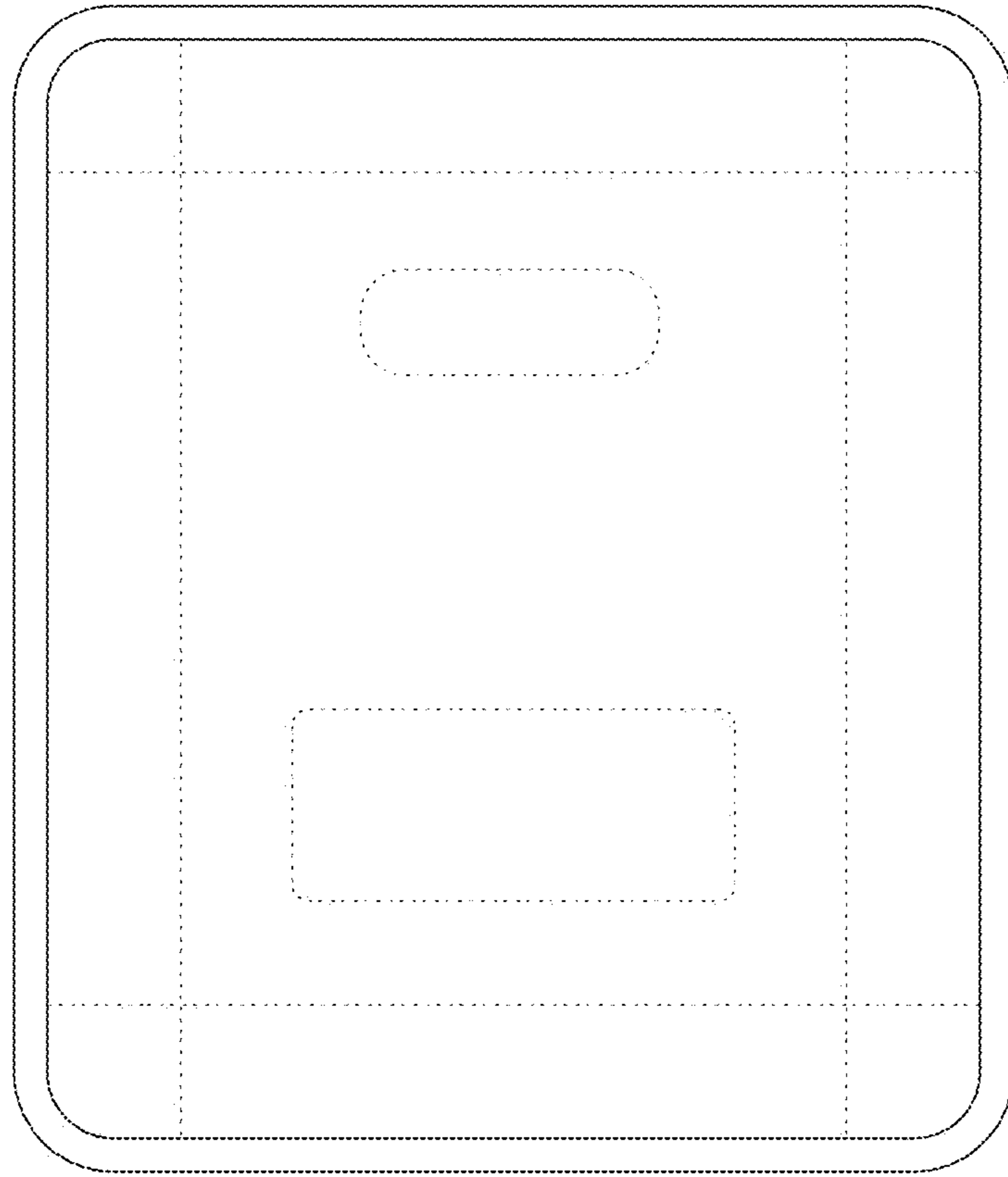


Fig. 8

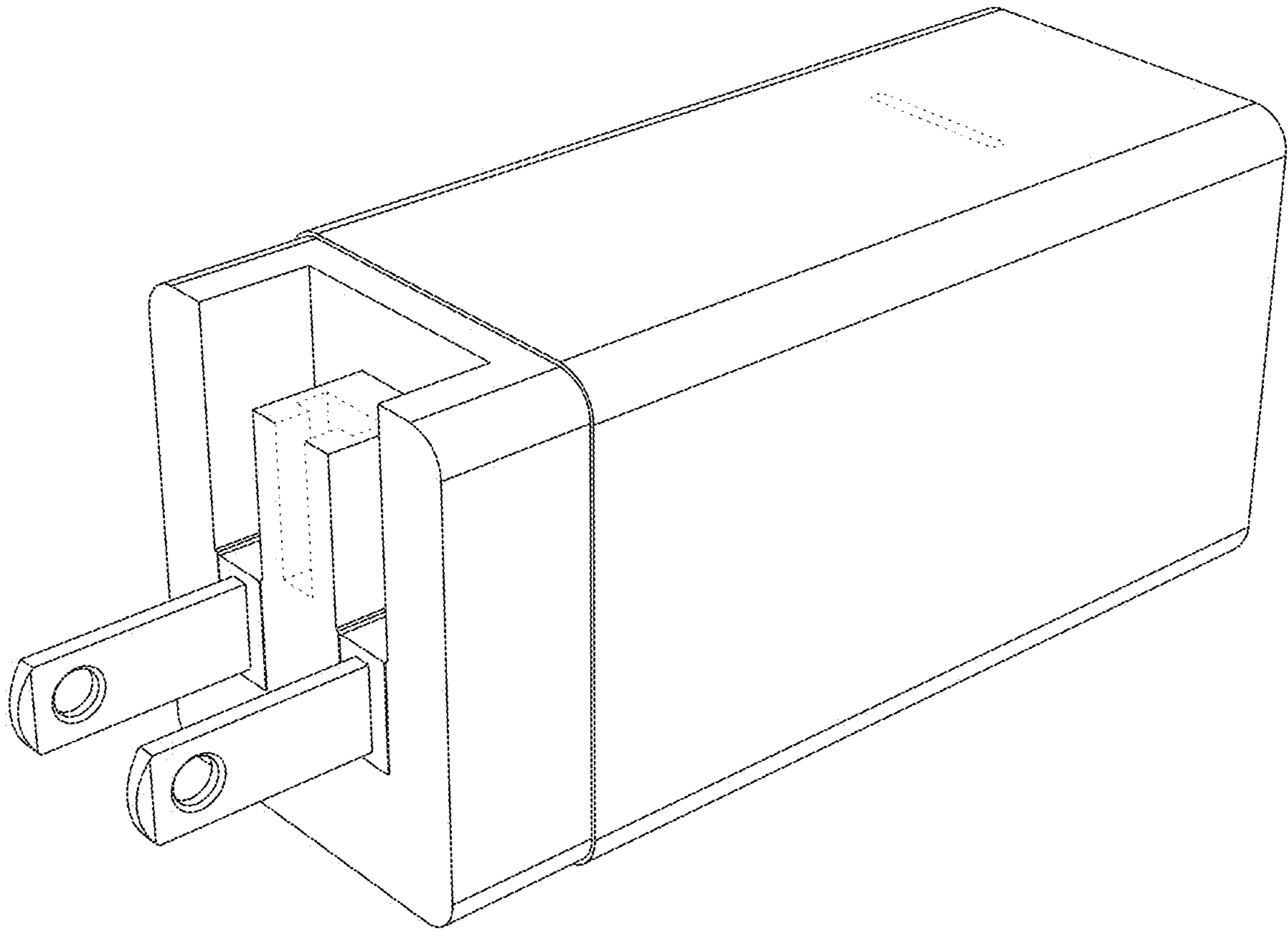


Fig. 9