

US00D926681S

(12) **United States Design Patent**  
**Wang et al.**

(10) **Patent No.:** **US D926,681 S**  
(45) **Date of Patent:** **\*\* Aug. 3, 2021**

- (54) **CHARGING DOCK**
- (71) Applicant: **JUUL Labs, Inc.**, San Francisco, CA (US)
- (72) Inventors: **Guangping Wang**, Shenzhen (CN); **Jincheng Li**, Shenzhen (CN); **Wenlong Yang**, Huizhou (CN); **Jian Yao**, Shenzhen (CN)
- (73) Assignee: **JUUL Labs, Inc.**, San Francisco, CA (US)
- (\*\*) Term: **15 Years**
- (21) Appl. No.: **29/708,185**
- (22) Filed: **Oct. 3, 2019**
- (51) **LOC (13) Cl.** ..... **13-02**
- (52) **U.S. Cl.**  
USPC ..... **D13/108**; D27/194
- (58) **Field of Classification Search**  
USPC ..... D13/107, 199, 108, 109, 133, 137.1, D13/137.2, 138.1, 139.1, 146, 184; D14/251, 253, 432, 434; D27/194  
CPC ..... H02J 7/0042; H02J 7/0044; H02J 7/0045; H02J 7/0013; H02J 50/00; H02J 50/10; H02J 50/12; H02J 7/025; H02J 7/005; H02J 7/0026; H02J 7/0003; H02J 50/80  
See application file for complete search history.

(56) **References Cited**

**U.S. PATENT DOCUMENTS**

D468,371 S *	1/2003	So	.....	D13/107
D650,738 S *	12/2011	Leung	.....	A24F 7/00
D744,419 S *	12/2015	Bowen	.....	H02J 7/00
				D13/108
D773,115 S *	11/2016	Liu	.....	A24F 40/50
10,045,568 B2 *	8/2018	Monsees	.....	A24B 15/167
10,058,130 B2 *	8/2018	Monsees	.....	H05B 3/44
10,076,139 B2 *	9/2018	Monsees	.....	A61M 11/042

10,104,915 B2 *	10/2018	Bowen	.....	A24B 15/167
				D21/566
10,111,470 B2 *	10/2018	Monsees	.....	H05B 3/44
				D27/167
10,130,123 B2 *	11/2018	Hatton	.....	A24F 40/50
				D13/108

(Continued)

**FOREIGN PATENT DOCUMENTS**

GB	6068846	*	8/2019	.....	13/3
JP	D1627372	*	3/2019	.....	27/99

**OTHER PUBLICATIONS**

“SanDisk 256GB Ultra Luxe USB 3.1 Gen 1 Flash Drive”, First available Jul. 11, 2019. Amazon.com [https://www.amazon.com/SanDisk-256GB-Ultra-Flash-Drive/dp/B07SYRW97F/ref=sr\_1\_3?dchild=1&keywords=SanDisk+Ultra+Luxe%E2%84%A2+USB+3.1+FI%E2%80%A6] (Year: 2019).\*

(Continued)

*Primary Examiner* — Rosemary K Tarcza  
*Assistant Examiner* — Seth David Kumpf

(74) *Attorney, Agent, or Firm* — Mintz Levin Cohn Ferris Glovsky and Popeo, P.C.

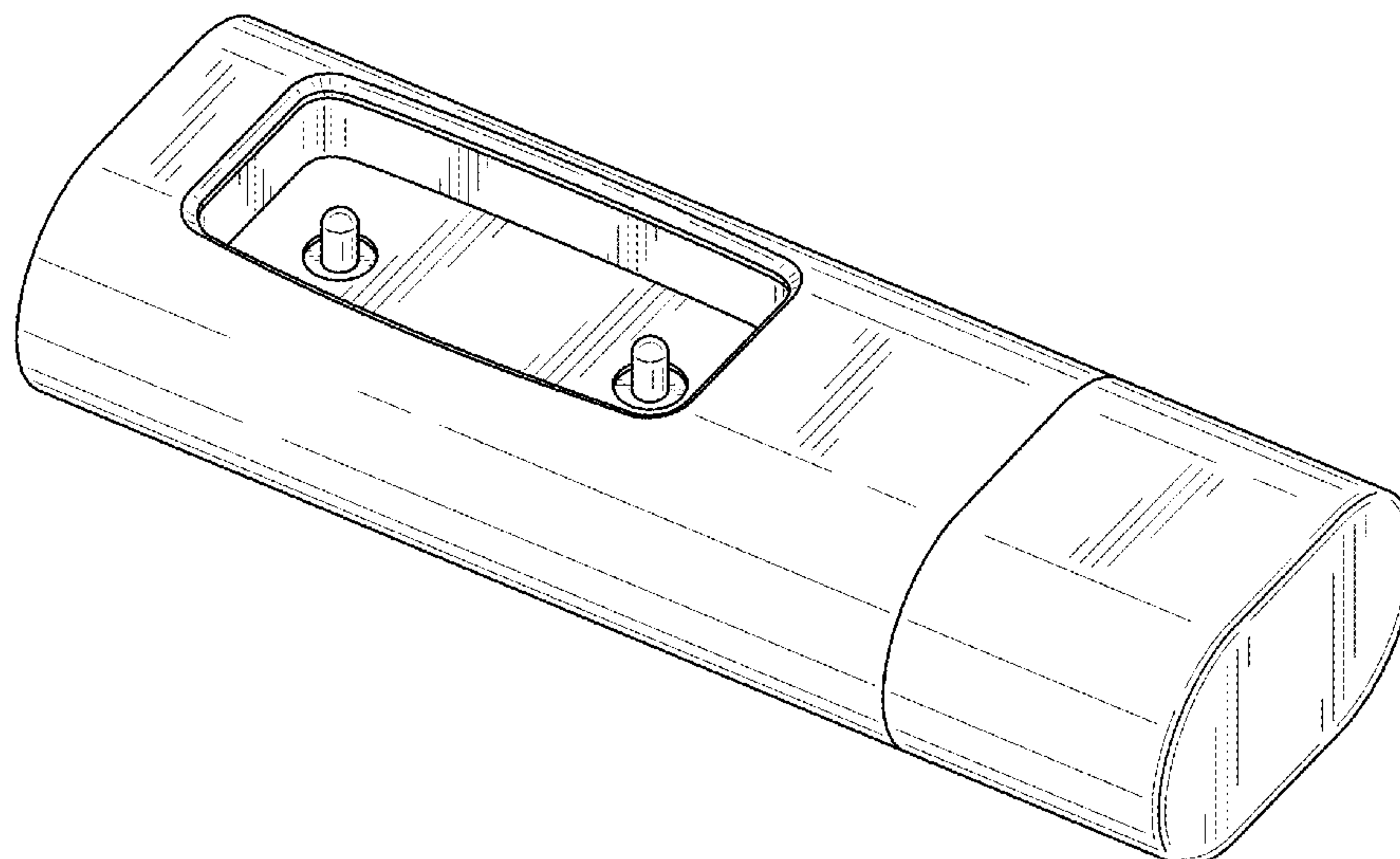
(57) **CLAIM**

The ornamental design for a charging dock, as shown and described.

**DESCRIPTION**

FIG. 1 is a top, front, and right side perspective view of a charging dock of our design;  
FIG. 2 is a bottom, rear, and right side perspective view thereof;  
FIG. 3 is a front view thereof;  
FIG. 4 is a rear view thereof;  
FIG. 5 is a right side view thereof;  
FIG. 6 is a left side view thereof;  
FIG. 7 is a top view thereof; and,  
FIG. 8 is a bottom view thereof.

**1 Claim, 6 Drawing Sheets**



(56)

**References Cited**

U.S. PATENT DOCUMENTS

D836,543 S \* 12/2018 Sun ..... D27/194  
D836,834 S \* 12/2018 Cividi ..... H02J 7/00  
D27/194

OTHER PUBLICATIONS

“Apacer AH25B 128GB USB 3.1 Gen 1 Red RP Pen Drive”, First accessed Mar. 3, 2021. RyansComputers.com [<https://www.ryanscomputers.com/apacer-ah25b-128gb-usb-31-gen-1-red-rp-pen-drive>] (Year: 2021).\*

“USB Charging Dock”, First accessed Mar. 3, 2021. Juul.com [<https://www.juul.com/shop/accessories/usb-charging-dock>] (Year: 2021).\*

\* cited by examiner

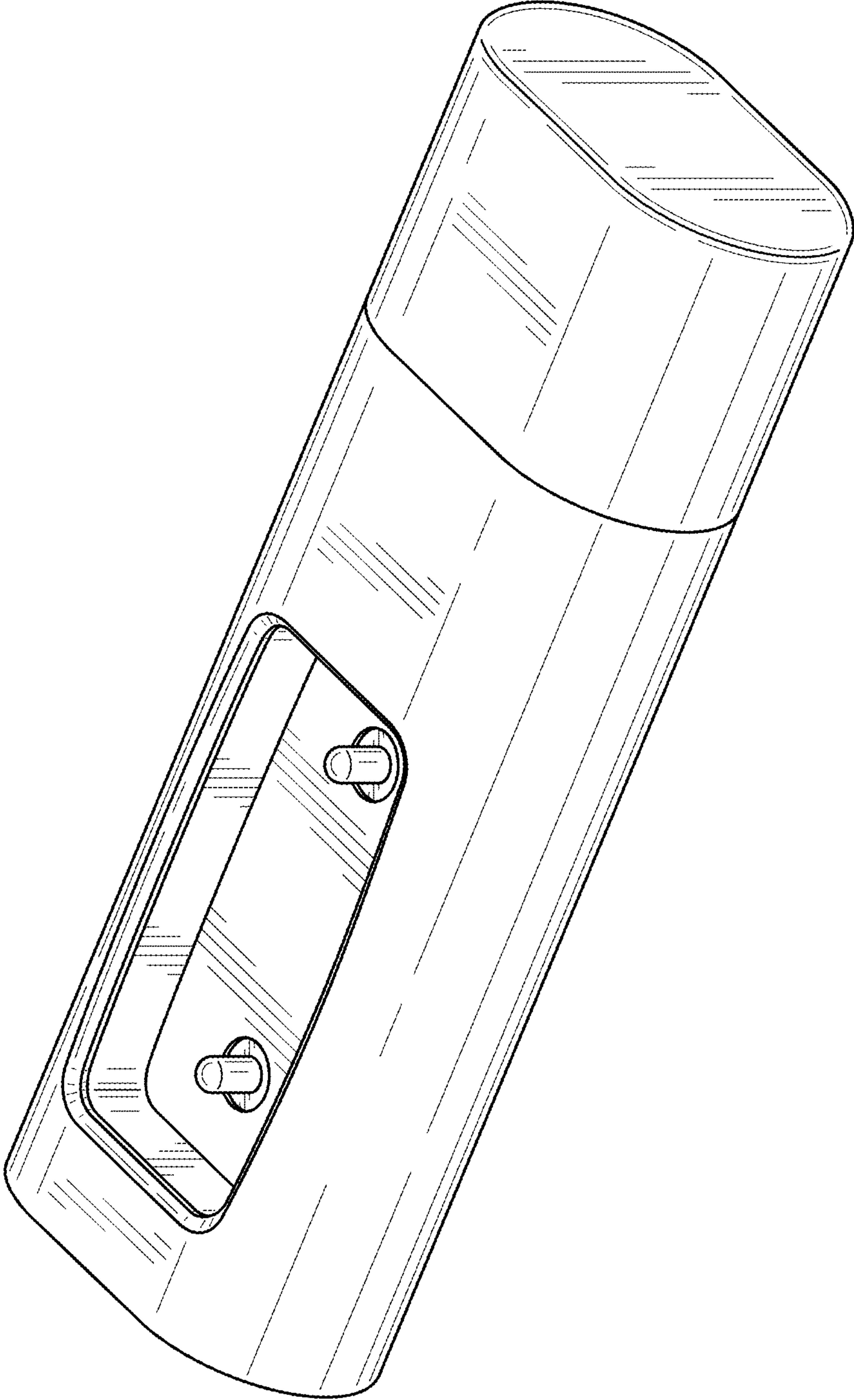


FIG. 1

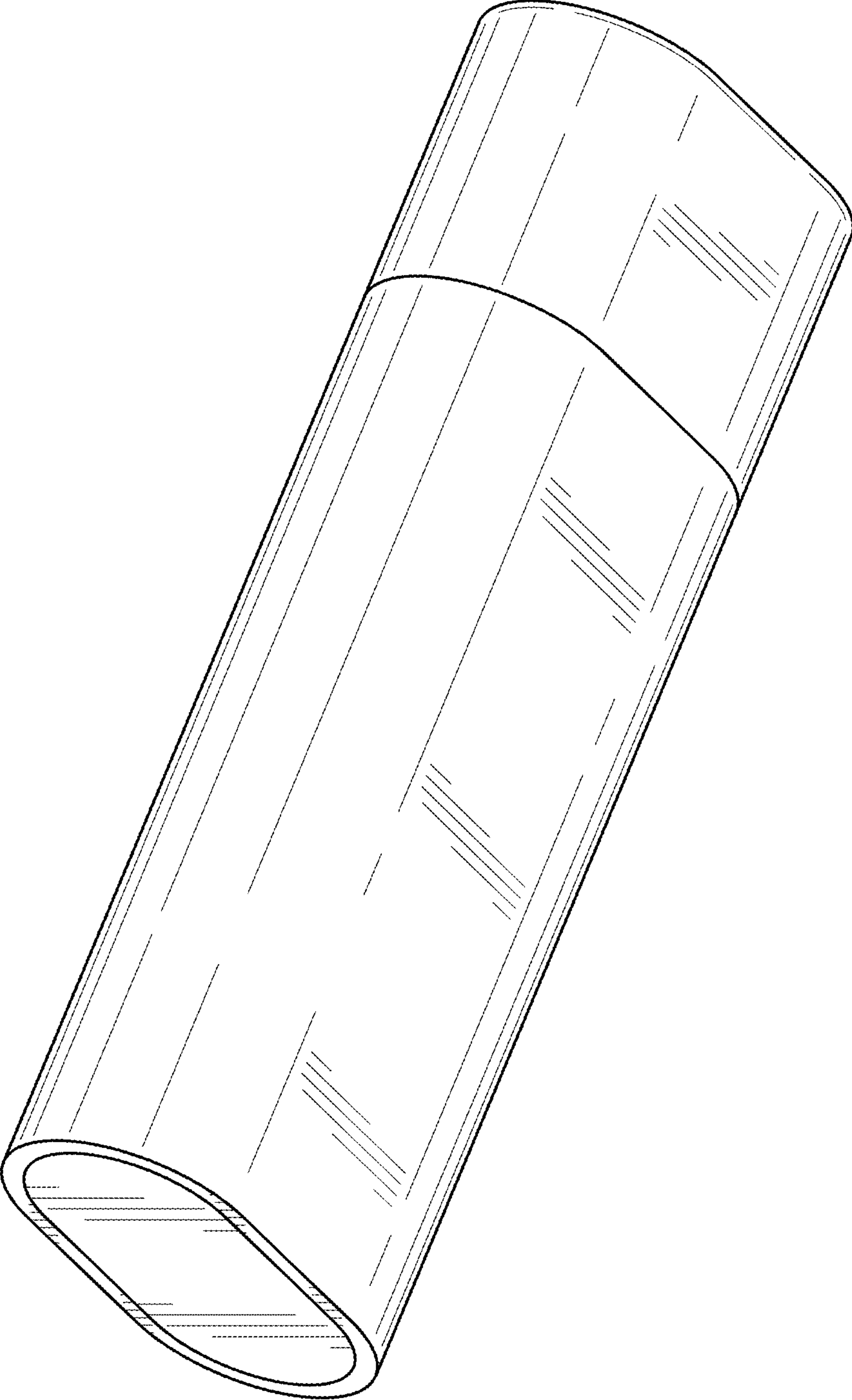


FIG. 2

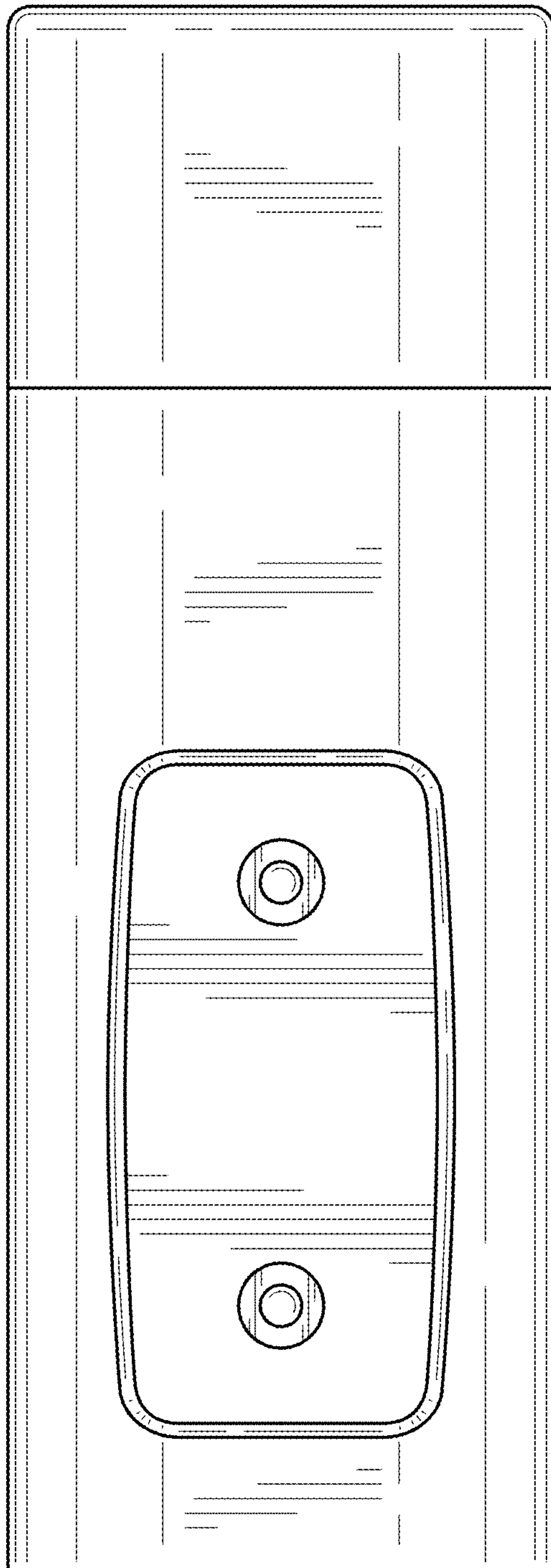


FIG. 3



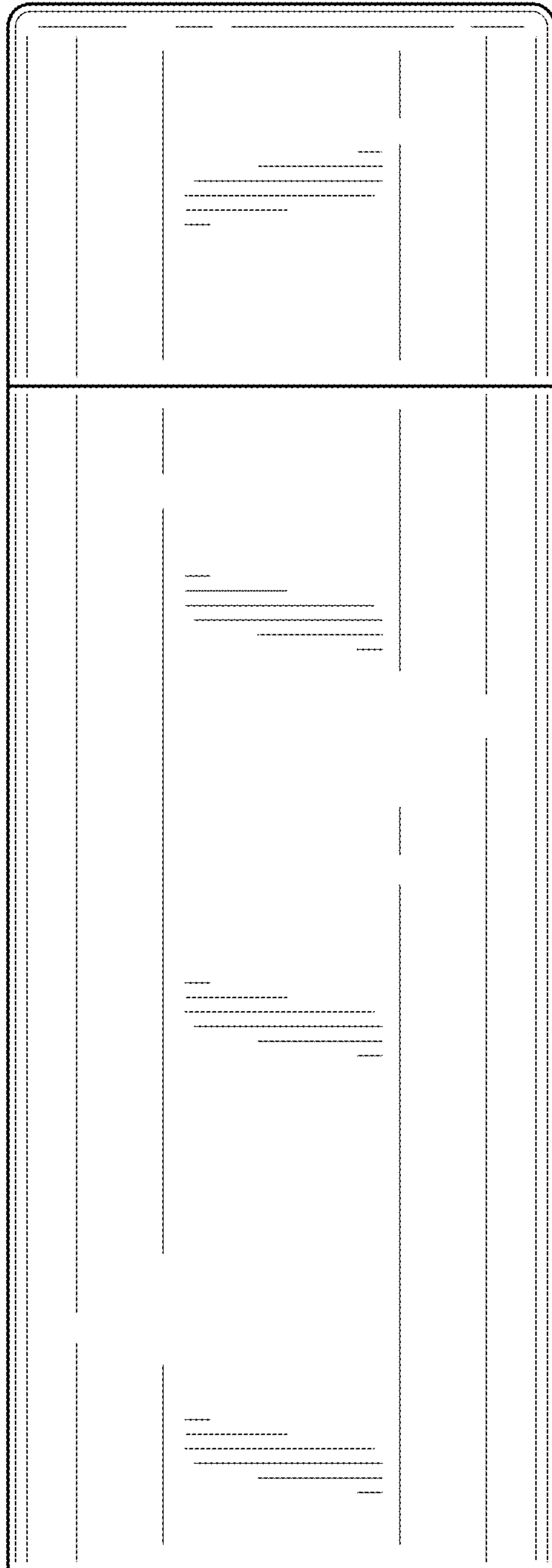


FIG. 4

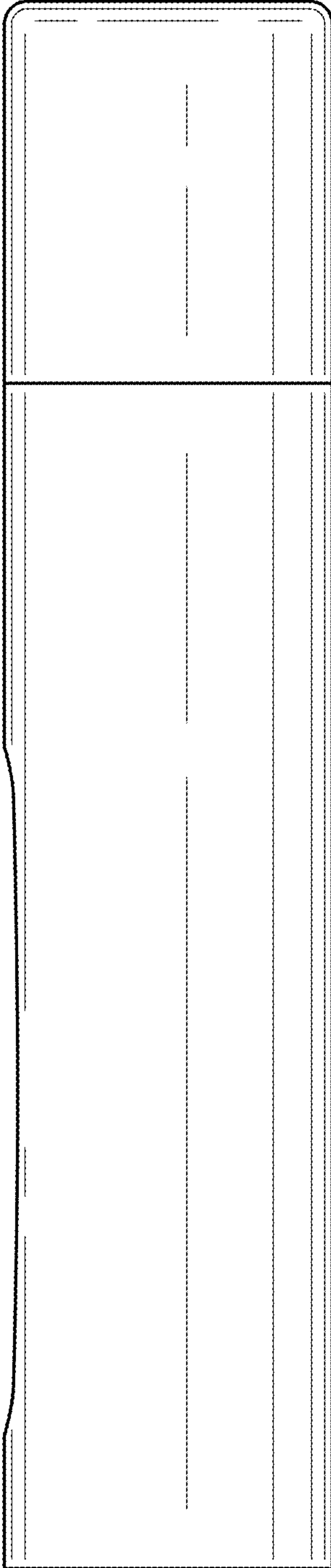


FIG. 5

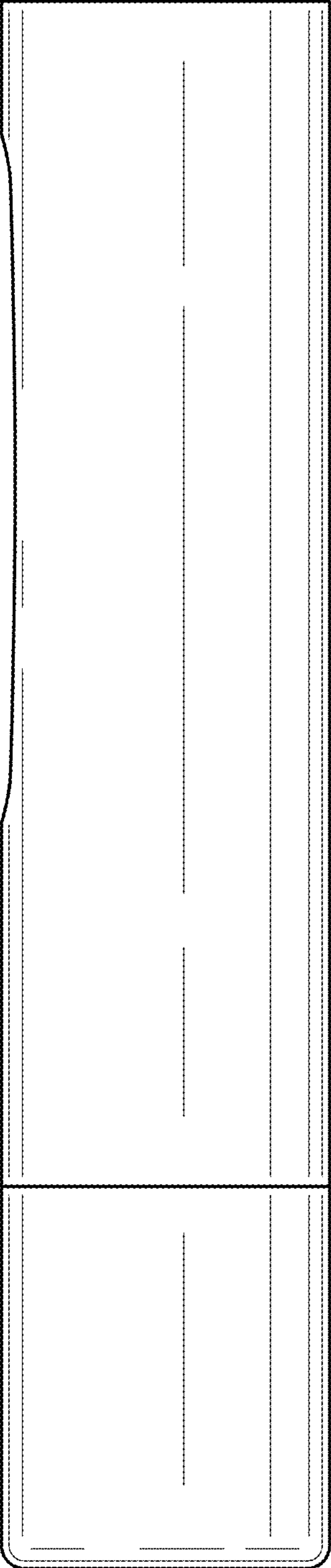


FIG. 6

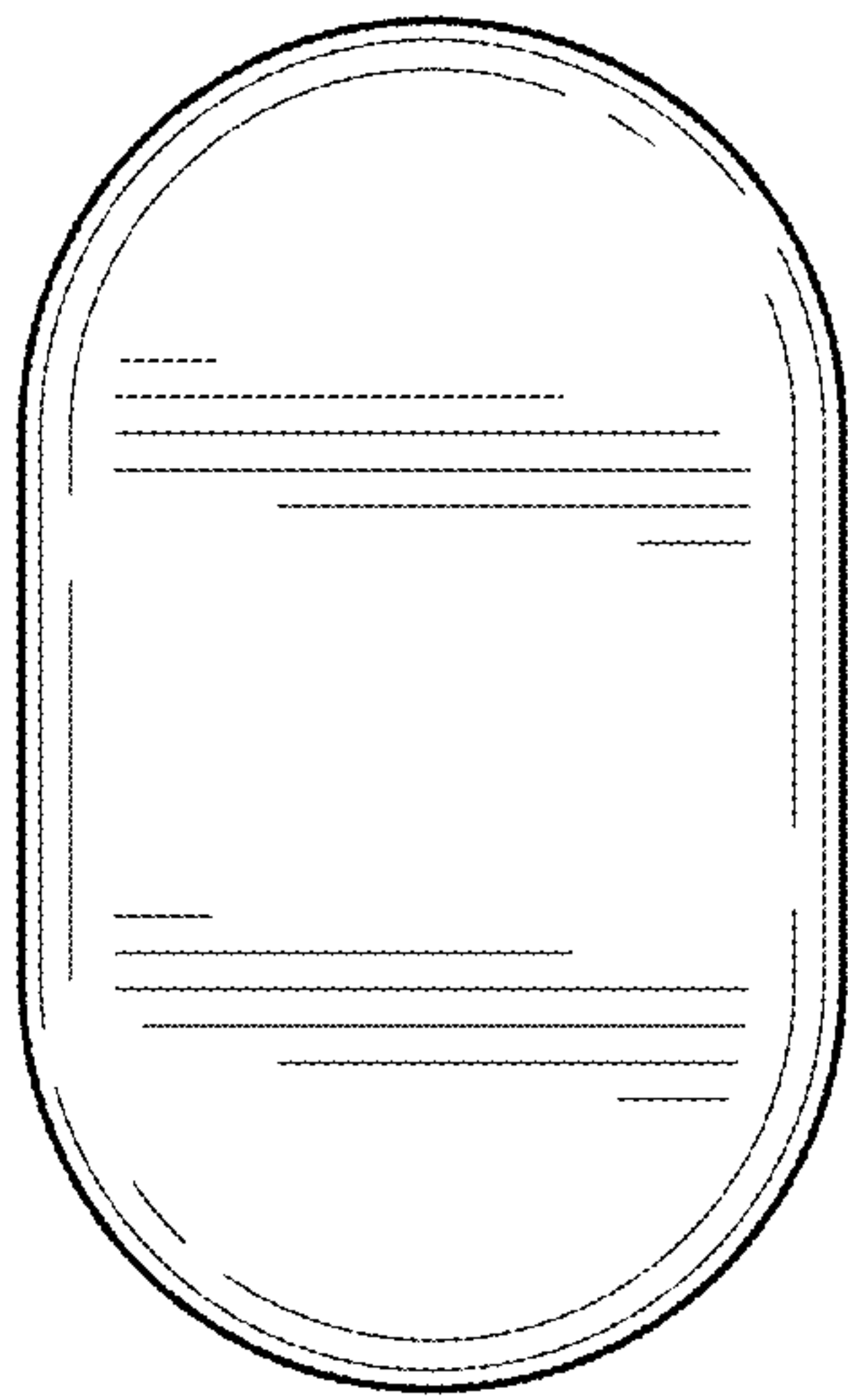


FIG. 7

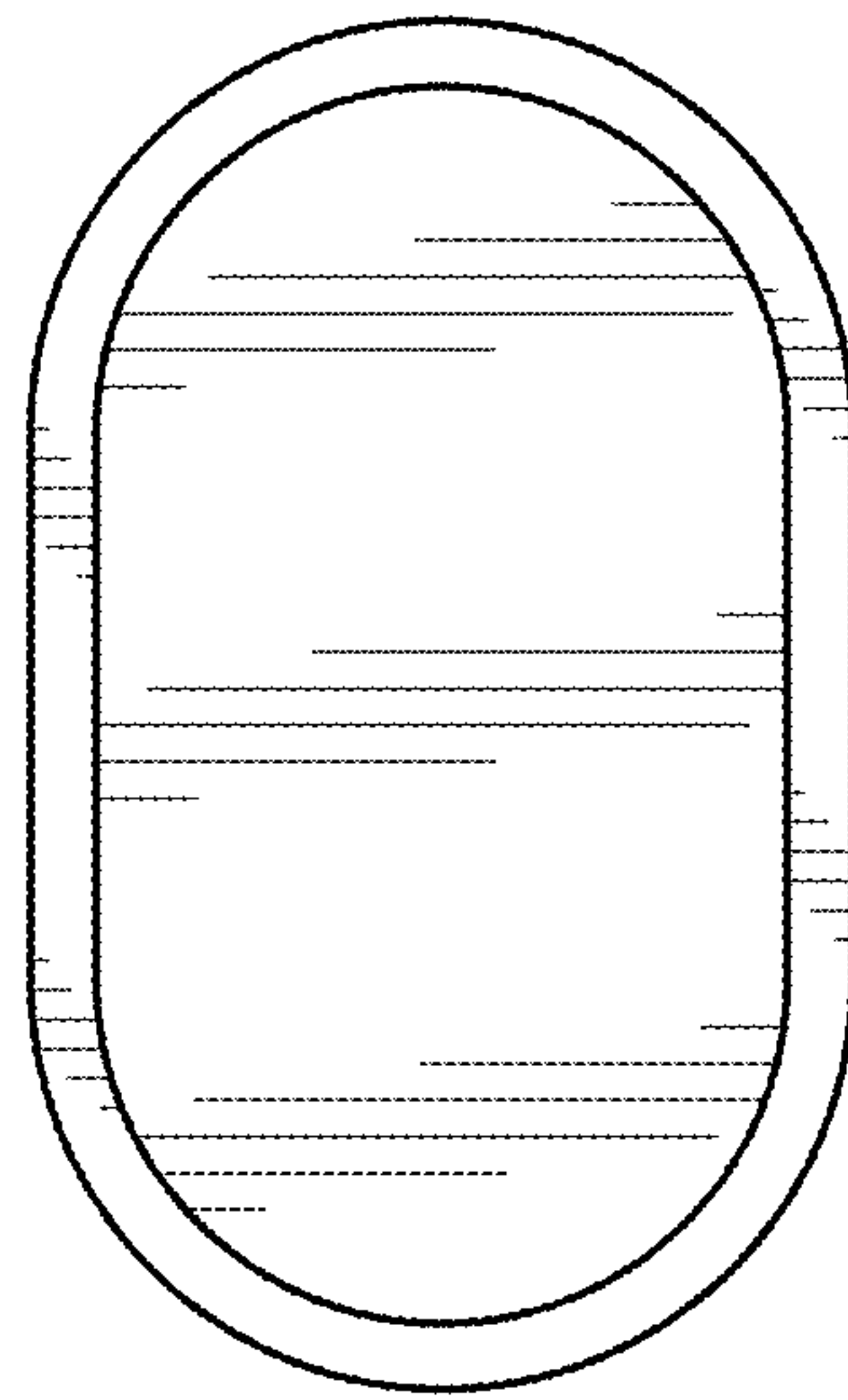


FIG. 8