



US00D926679S

(12) **United States Design Patent** (10) **Patent No.:** **US D926,679 S**
Yang (45) **Date of Patent:** **** Aug. 3, 2021**

(54) **CHARGER FOR CAMERA BATTERY**

(71) Applicant: **Xu Yang**, Shenzhen (CN)

(72) Inventor: **Xu Yang**, Shenzhen (CN)

(**) Term: **15 Years**

(21) Appl. No.: **29/707,353**

(22) Filed: **Sep. 27, 2019**

(51) **LOC (13) Cl.** **13-02**

(52) **U.S. Cl.**
USPC **D13/108**

(58) **Field of Classification Search**
USPC D13/103, 110, 118–119, 184, 199,
D13/107–108; D14/251, 253, 432, 434
CPC H02J 7/025; H02J 7/005; H02J 7/0026;
H02J 7/0042; H02J 7/0044; H02J 7/0045;
H02J 7/0013; H02J 7/0003; H02J 7/007;
H02J 7/0027

See application file for complete search history.

(56) **References Cited**

U.S. PATENT DOCUMENTS

| | | | |
|--------------|---------|-----------------|---------|
| D278,426 S * | 4/1985 | Lanci | D13/107 |
| D298,136 S * | 10/1988 | Toth | D13/107 |
| D307,277 S * | 4/1990 | Desbarats | 455/561 |
| D327,247 S * | 6/1992 | Higuchi | D13/108 |
| D327,248 S * | 6/1992 | Hotsumi | D13/108 |
| D328,450 S * | 8/1992 | Watanabe | D13/108 |
| D336,631 S * | 6/1993 | Ivester | D13/108 |
| D408,352 S * | 4/1999 | Tashiro | D13/107 |
| D462,657 S * | 9/2002 | Kaneko | D13/107 |
| D551,163 S * | 9/2007 | Hamasaki | D13/107 |
| D601,953 S * | 10/2009 | Asai | D13/107 |
| D635,917 S * | 4/2011 | Okuda | D13/107 |

| | | | |
|--------------|---------|---------------|---------|
| D642,518 S * | 8/2011 | Kokawa | D13/107 |
| D721,648 S * | 1/2015 | Breines | D13/107 |
| D811,997 S * | 3/2018 | Sha | D13/107 |
| D813,156 S * | 3/2018 | Inskeep | D13/107 |
| D813,806 S * | 3/2018 | Ito | D13/108 |
| D853,325 S * | 7/2019 | Xu | D13/108 |
| D896,748 S * | 9/2020 | Fonzo | D13/107 |
| D900,732 S * | 11/2020 | Sexton | D13/107 |
| D902,212 S * | 11/2020 | Sjogren | D14/434 |

* cited by examiner

Primary Examiner — Rosemary K Tarcza

(74) *Attorney, Agent, or Firm* — Law Offices of Steven W. Weinrieb

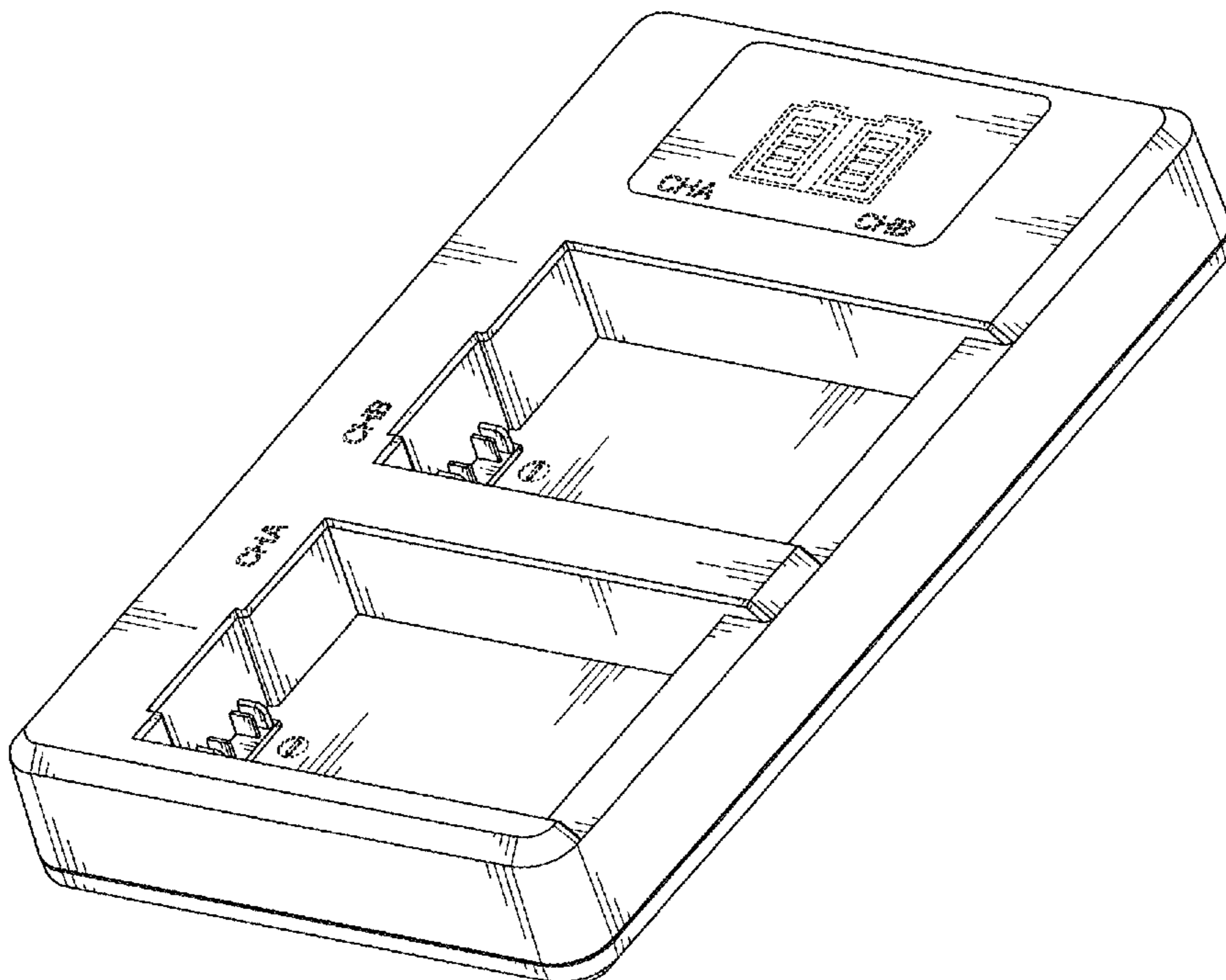
(57) **CLAIM**

The ornamental design for a charger for camera battery, as shown and described.

DESCRIPTION

FIG. 1 is a front, left side, top perspective view of a charger for camera battery showing my new design; FIG. 2 is a rear, left side, bottom perspective view thereof; FIG. 3 is a top plan view thereof; FIG. 4 is a bottom plan view thereof; FIG. 5 is a front elevational view thereof; FIG. 6 is a rear elevational view thereof; FIG. 7 is a right end elevational view thereof; and, FIG. 8 is a left end elevational view thereof. The broken lines immediately adjacent to the claimed portions are boundaries, all other broken lines are environmental structures; all the broken lines form no part of the claimed design.

1 Claim, 8 Drawing Sheets



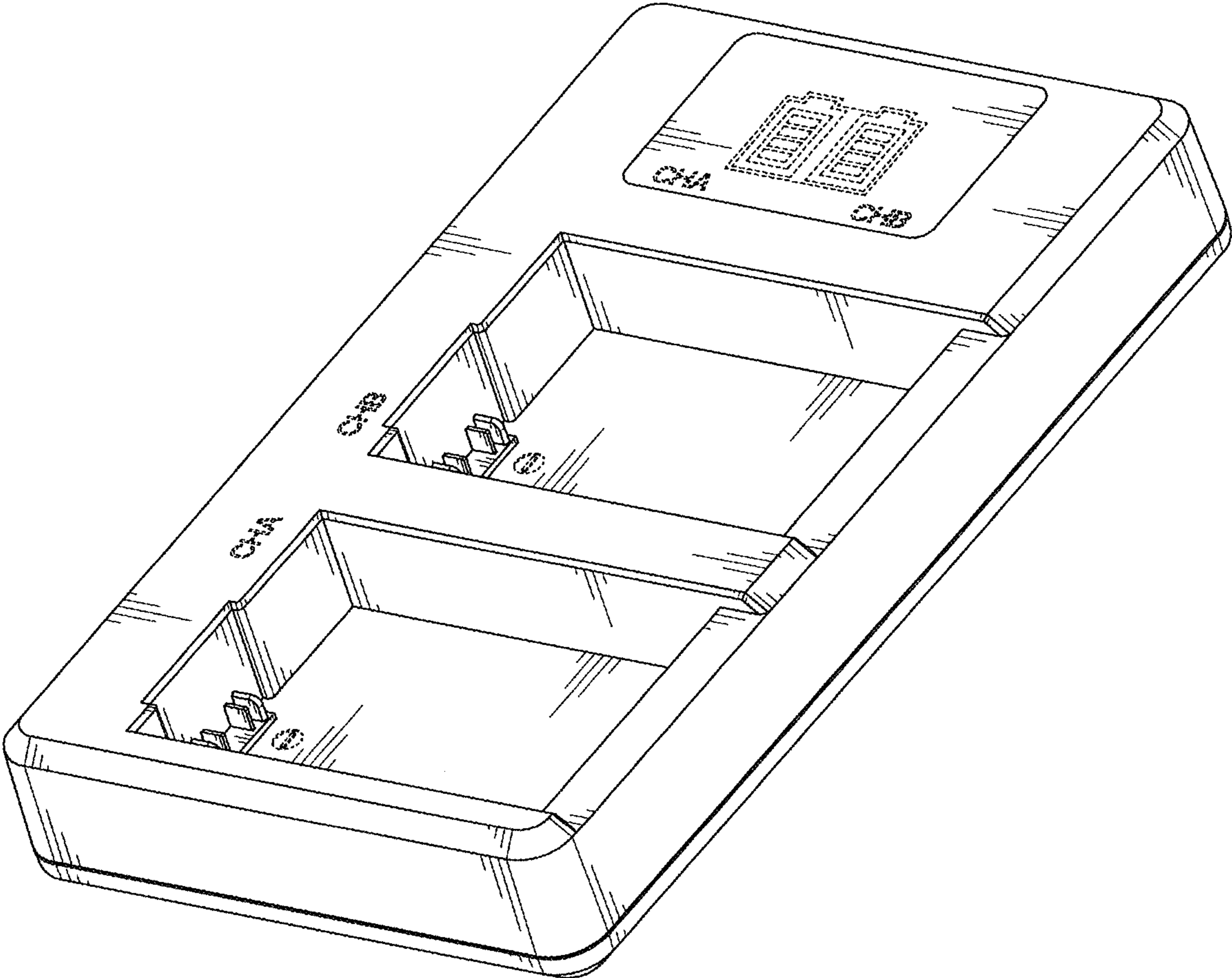


FIG. 1

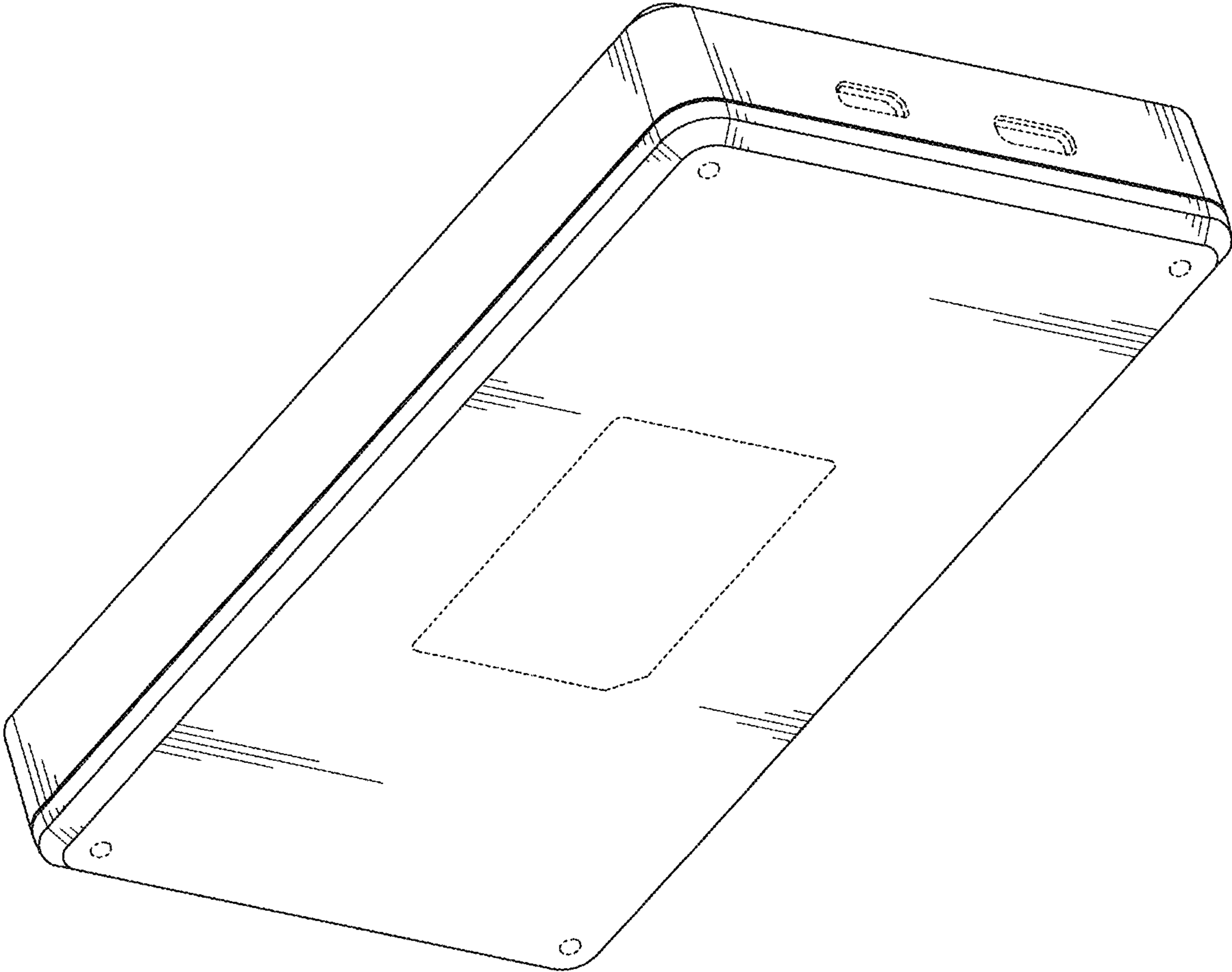


FIG. 2

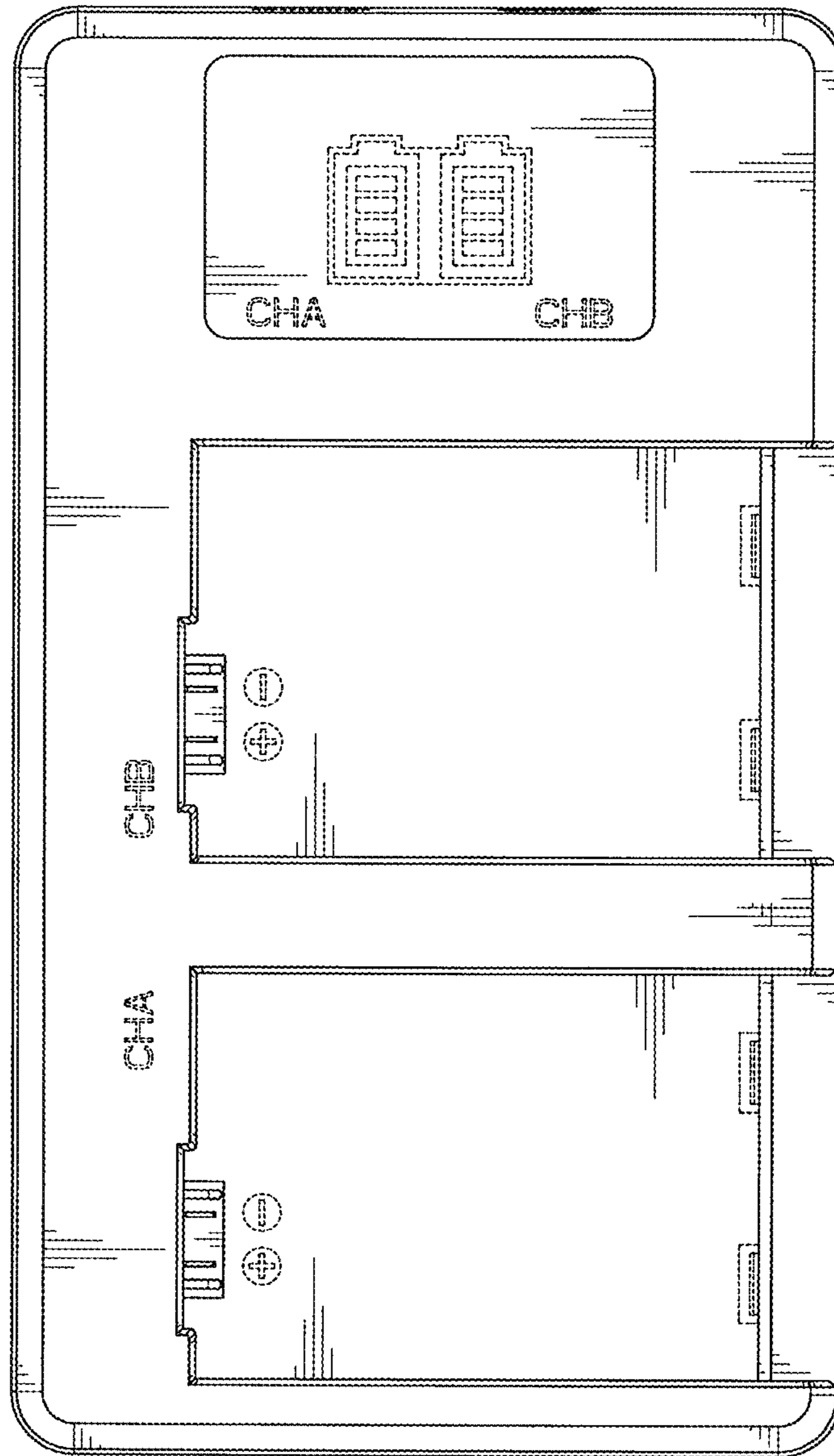


FIG. 3

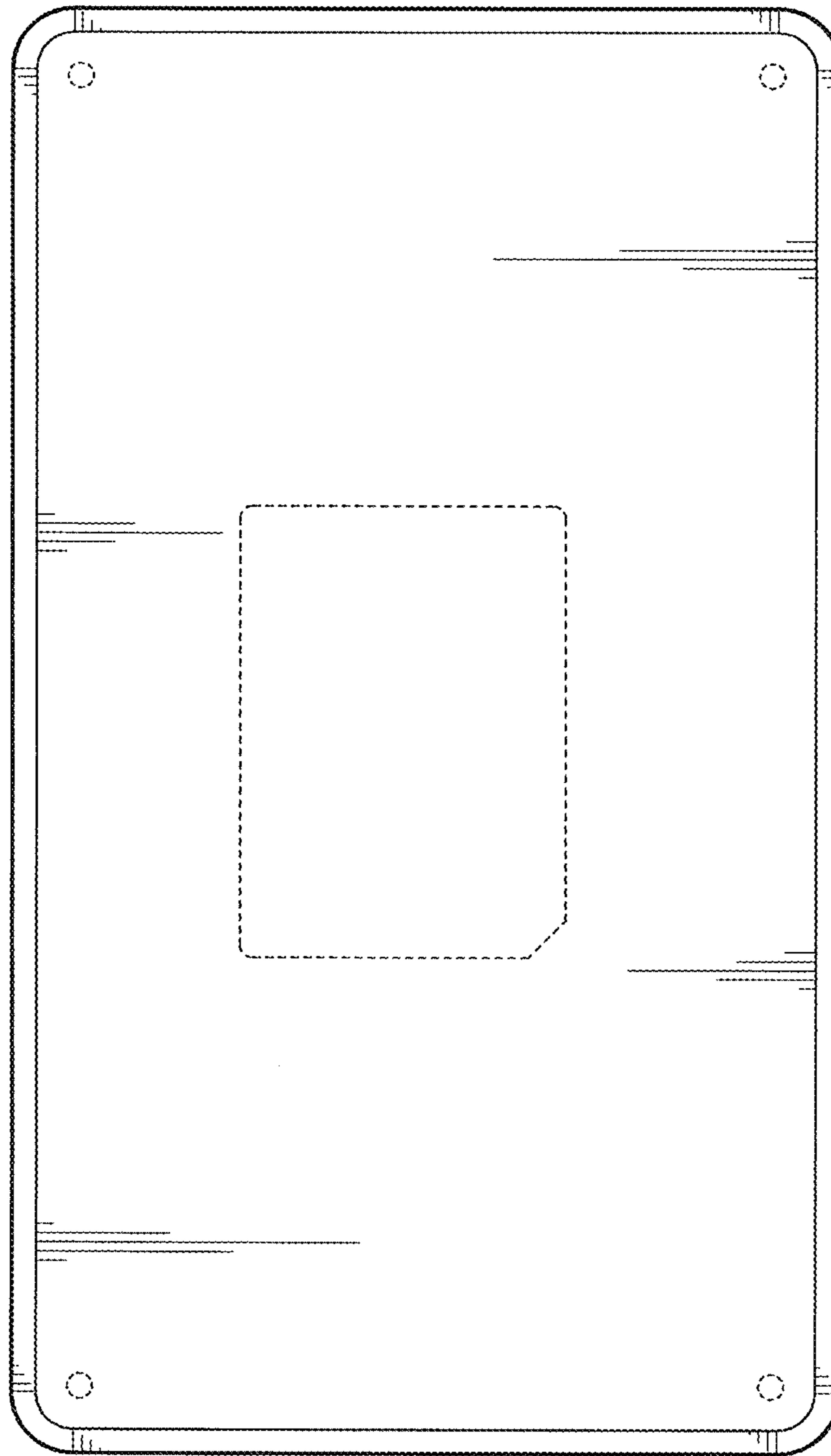


FIG. 4

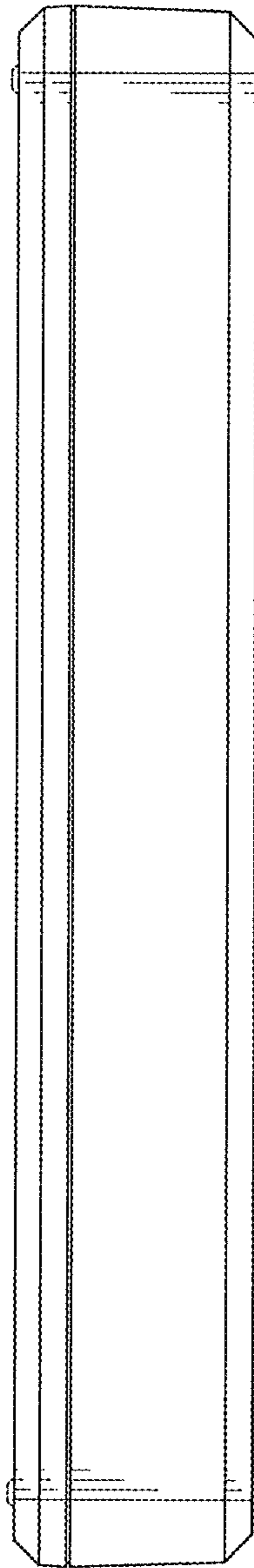


FIG. 5

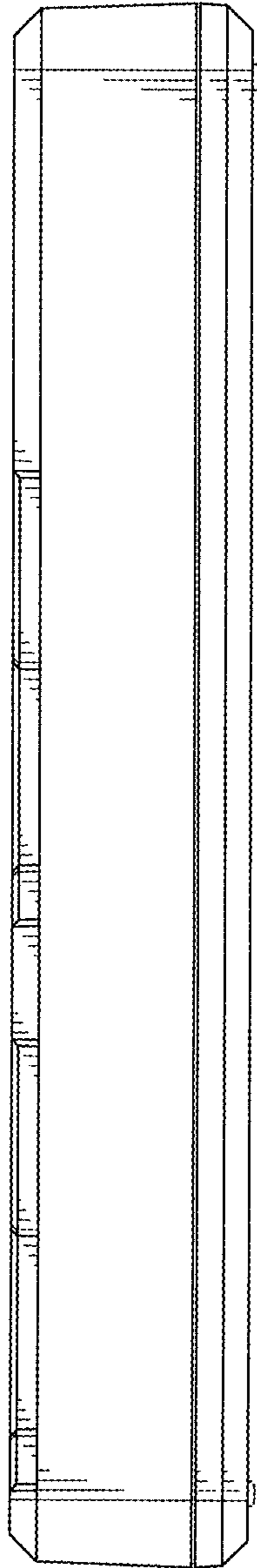


FIG. 6

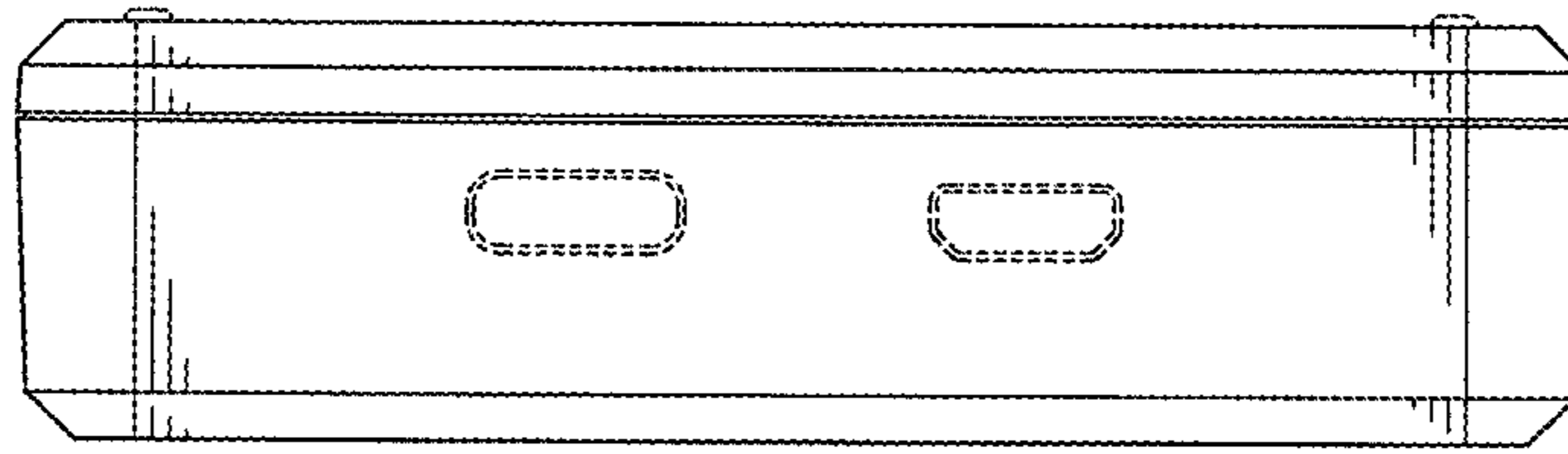


FIG. 7

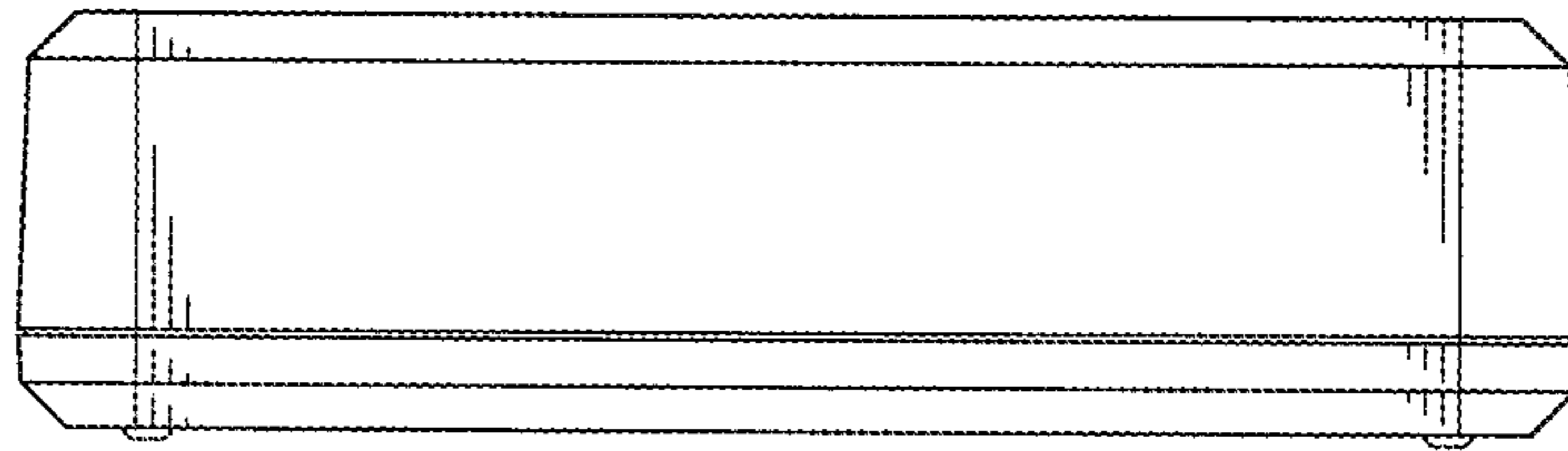


FIG. 8