



US00D926677S

(12) **United States Design Patent**  
**Kojima**

(10) **Patent No.:** **US D926,677 S**

(45) **Date of Patent:** **\*\* Aug. 3, 2021**

(54) **MOBILE POWER CHARGER**

(71) Applicant: **ZEON CORPORATION**, Tokyo (JP)

(72) Inventor: **Kiyoshige Kojima**, Tokyo (JP)

(73) Assignee: **ZEON CORPORATION**, Tokyo (JP)

(\*\*) Term: **15 Years**

(21) Appl. No.: **29/701,587**

(22) Filed: **Aug. 13, 2019**

(30) **Foreign Application Priority Data**

Feb. 22, 2019 (JP) ..... 2019-003649

(51) **LOC (13) Cl.** ..... **13-02**

(52) **U.S. Cl.**  
USPC ..... **D13/108**

(58) **Field of Classification Search**  
USPC ..... D13/103, 107-110, 118, 119, 146, 147,  
D13/153, 155, 184, 199, 154, 116, 102;  
D32/31; D8/356, 358

CPC ..... Y02E 60/12; H02J 7/025; H02J 7/0042;  
H02J 7/0044; H02J 7/0045; H02J 7/0003;  
H02J 7/0027; H02J 7/0013; H02J 7/0054;  
H02J 7/00; H02J 2001/008; H02J 3/32;  
H02J 3/008; H01F 38/14; H01R 13/6675;  
H01M 2/1022; H01M 2/1055; H01M  
10/44;

(Continued)

(56) **References Cited**

**U.S. PATENT DOCUMENTS**

D357,897 S \* 5/1995 Daio ..... D13/103  
D606,945 S \* 12/2009 Yi ..... D13/154

(Continued)

**FOREIGN PATENT DOCUMENTS**

JP 1625321 S 2/2019  
JP 1627377 S 3/2019

**OTHER PUBLICATIONS**

HB2800294500, Global Sources Gifts & Premiums, (Trade Media Holdings Ltd.), Nov. 11, 2016, Retrieved from the Known Design Database of the Japan Patent Office using Internet, URL: <https://www.j-platpat.inpit.go.jp/d0200>.

*Primary Examiner* — Christy Nemeth

(74) *Attorney, Agent, or Firm* — Kenja IP Law PC

(57) **CLAIM**

The ornamental design for a mobile power charger, as shown and described.

**DESCRIPTION**

FIG. 1 is a front view of a mobile power charger showing my new design;

FIG. 2 is a rear view thereof;

FIG. 3 is a left side view thereof;

FIG. 4 is a top view thereof;

FIG. 5 is a bottom view thereof;

FIG. 6 is a perspective view thereof;

FIG. 7 is another perspective view thereof;

FIG. 8 is a cross-sectional view taken along line 8-8 in FIG. 1;

FIG. 9 is an enlarged fragment of the area defined by lines 9-9 in FIG. 6;

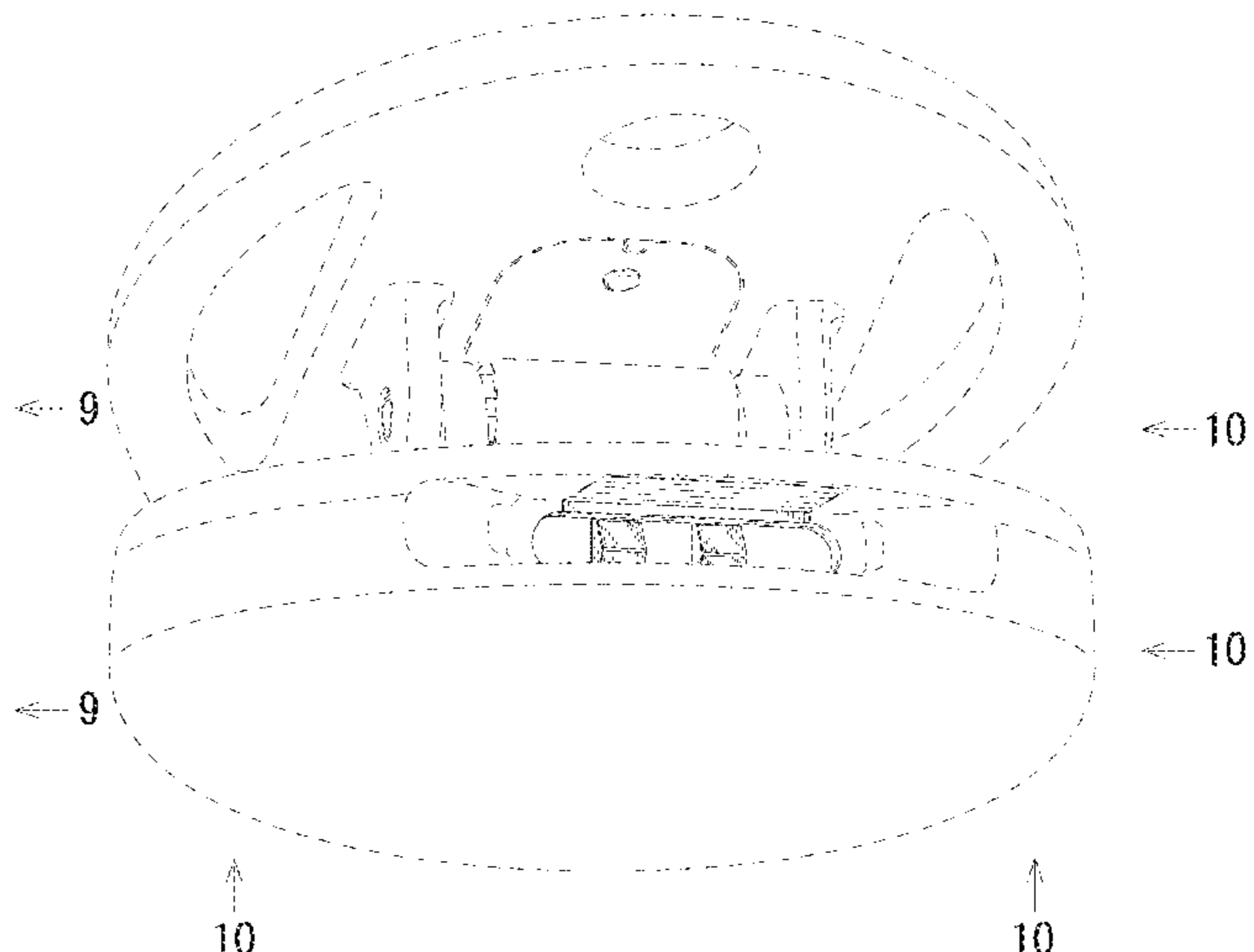
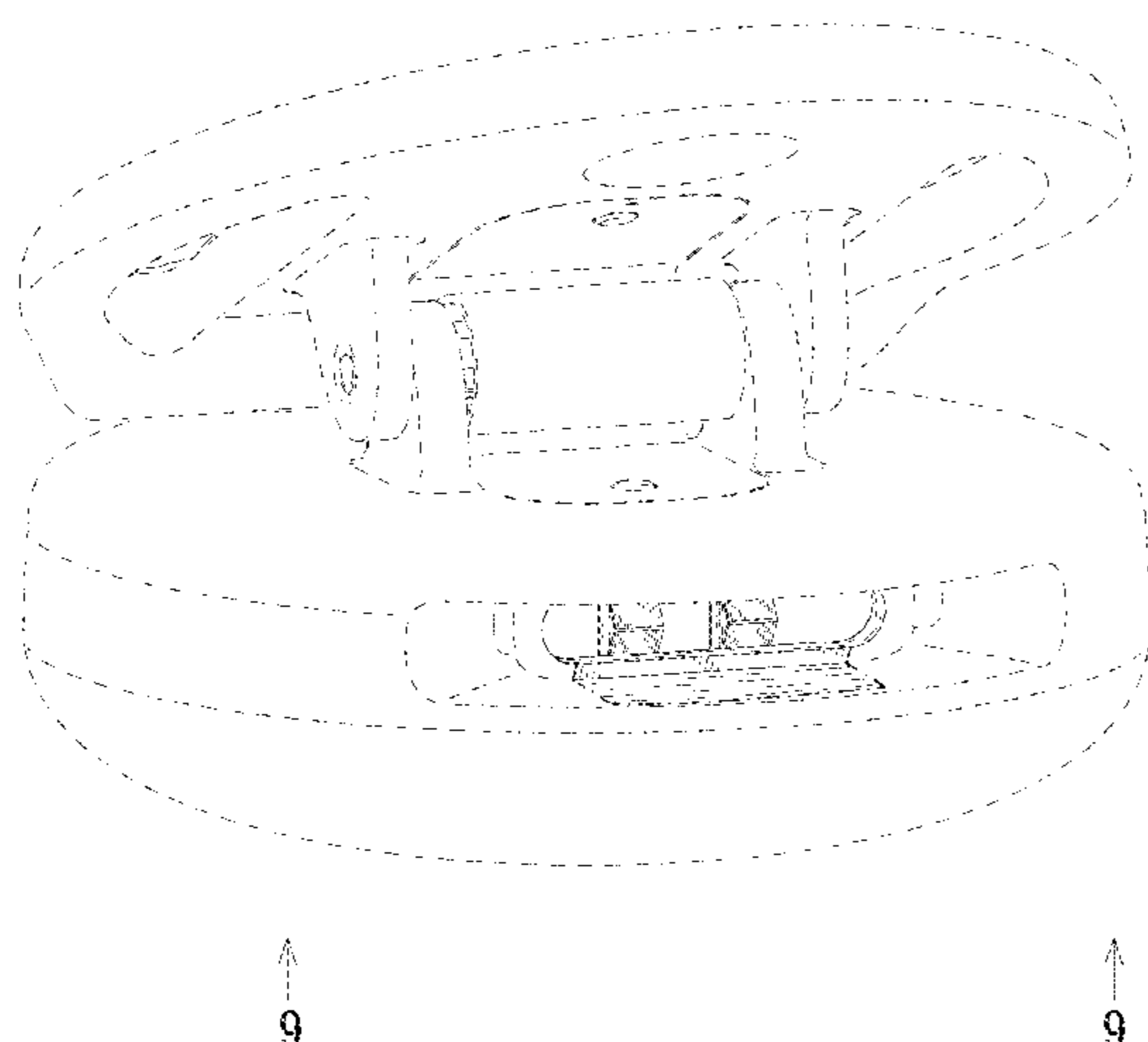
FIG. 10 is an enlarged fragment of the area defined by lines 10-10 in FIG. 7;

FIG. 11 is a bottom perspective view thereof, shown in an environment of use; and,

FIG. 12 is an enlarged fragment of the area surrounded by a broken line 12 in FIG. 8.

The dash-dash broken lines in the drawings are for the purpose of illustrating environmental structure and portions of the article that form no part of the claim. The dash-dot broken line circles are for the purpose of illustrating a boundary of the enlarged fragments and form no part of the claim. The remaining dash-dot broken lines are for the purpose of illustrating the boundaries of the claim and form no part of the claim.

**1 Claim, 12 Drawing Sheets**



(58) **Field of Classification Search**

CPC .. H01M 10/46; H01M 10/425; B60L 11/182;  
B60L 11/1809; B60L 11/1861; B60R  
16/03; H04R 1/10

See application file for complete search history.

(56) **References Cited**

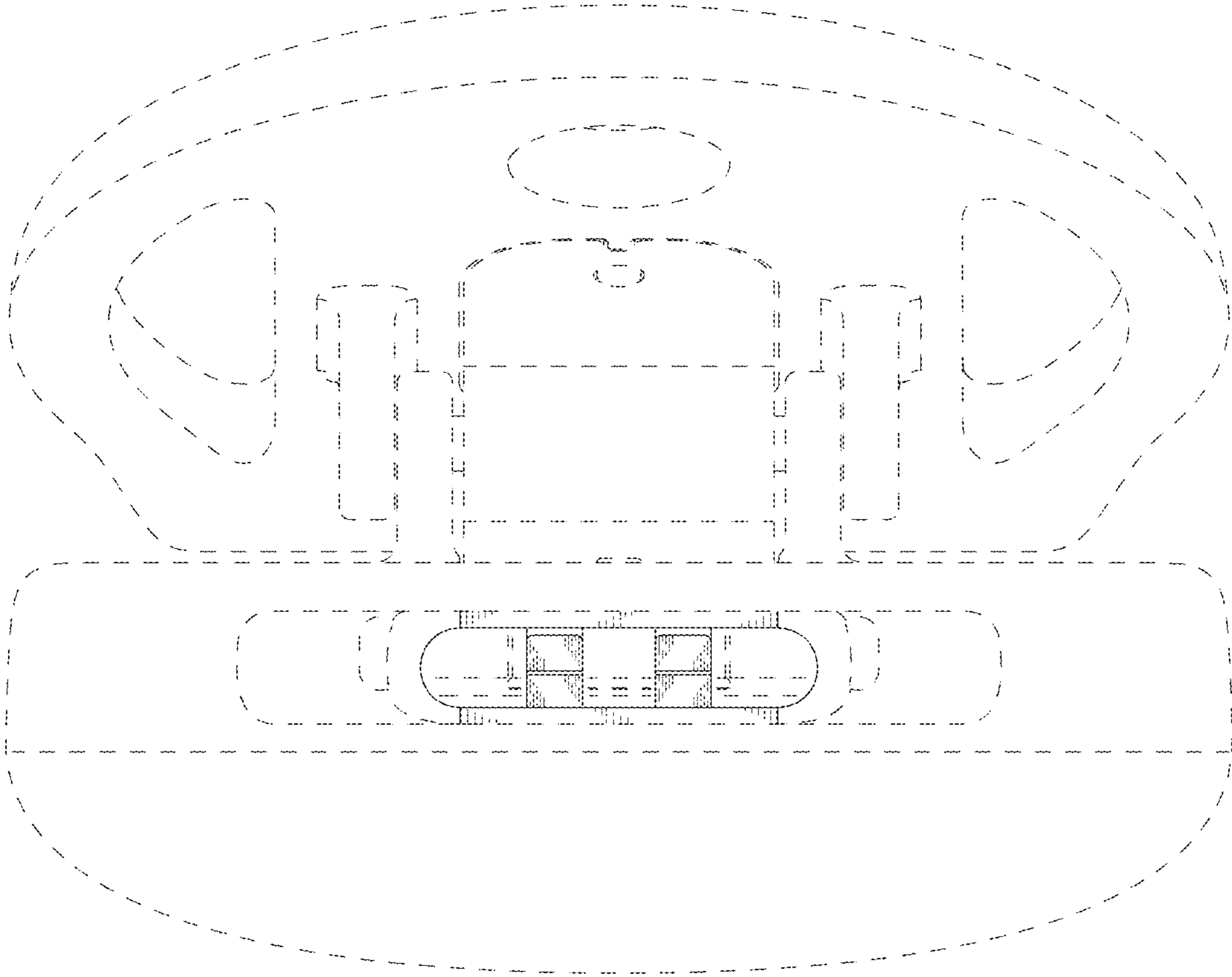
U.S. PATENT DOCUMENTS

D632,260	S	*	2/2011	Smith	.....	D13/154
D637,959	S	*	5/2011	Canning	.....	D13/154
D708,044	S	*	7/2014	Komeno	.....	D8/356
D720,289	S	*	12/2014	Chiang	.....	D13/108
D830,322	S	*	10/2018	Yaparak	.....	D13/184
D837,143	S	*	1/2019	Sade	.....	D13/102
D849,678	S	*	5/2019	Kojima	.....	D13/102
D867,984	S	*	11/2019	Kojima	.....	D13/102
D871,901	S	*	1/2020	Sun	.....	D8/395
D883,916	S	*	5/2020	Kojima	.....	D13/102
D890,085	S	*	7/2020	Baird	.....	D13/102
D905,623	S	*	12/2020	Kojima	.....	D13/102
D905,624	S	*	12/2020	Kojima	.....	D13/102

\* cited by examiner

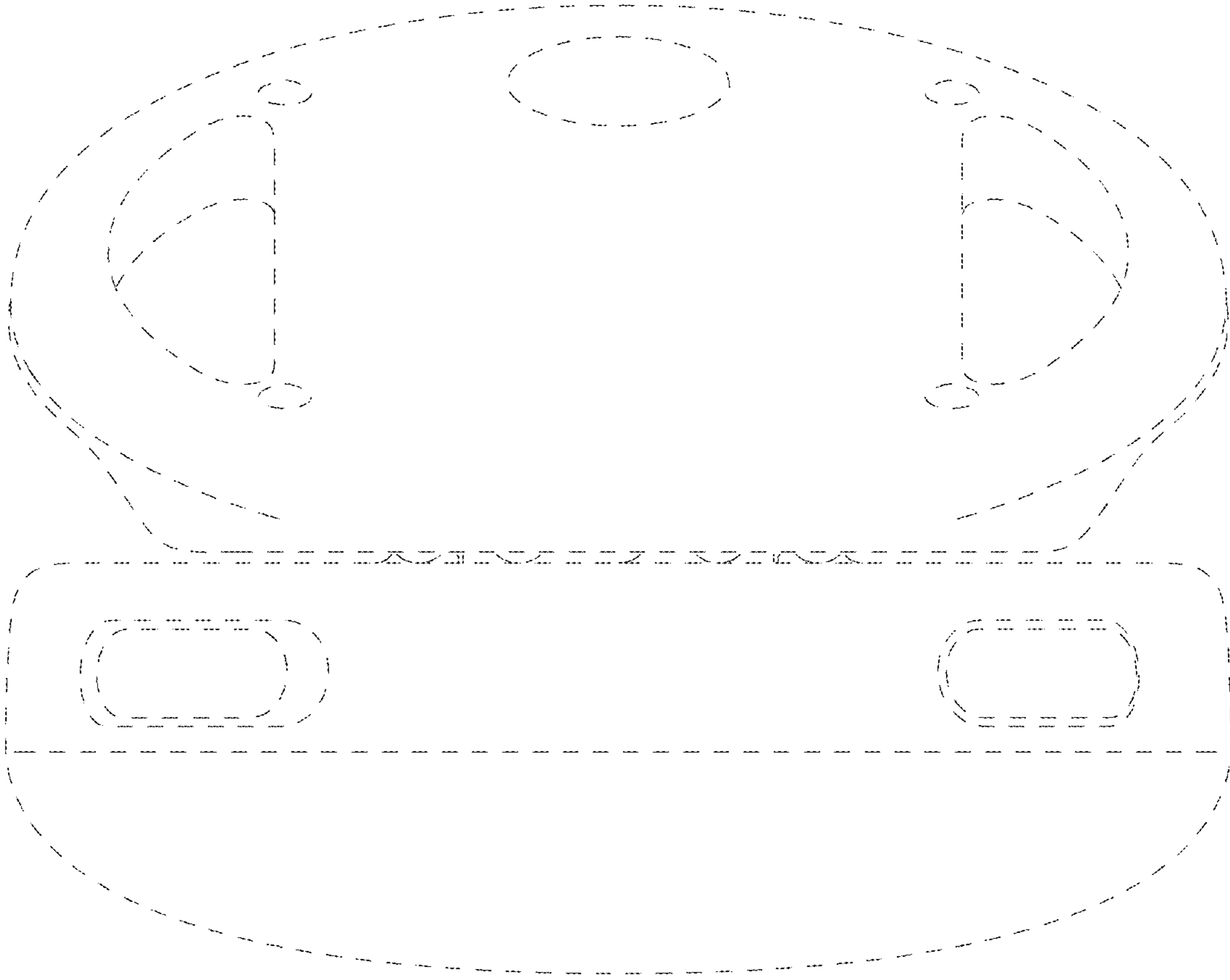
*FIG. 1*

8  
↗

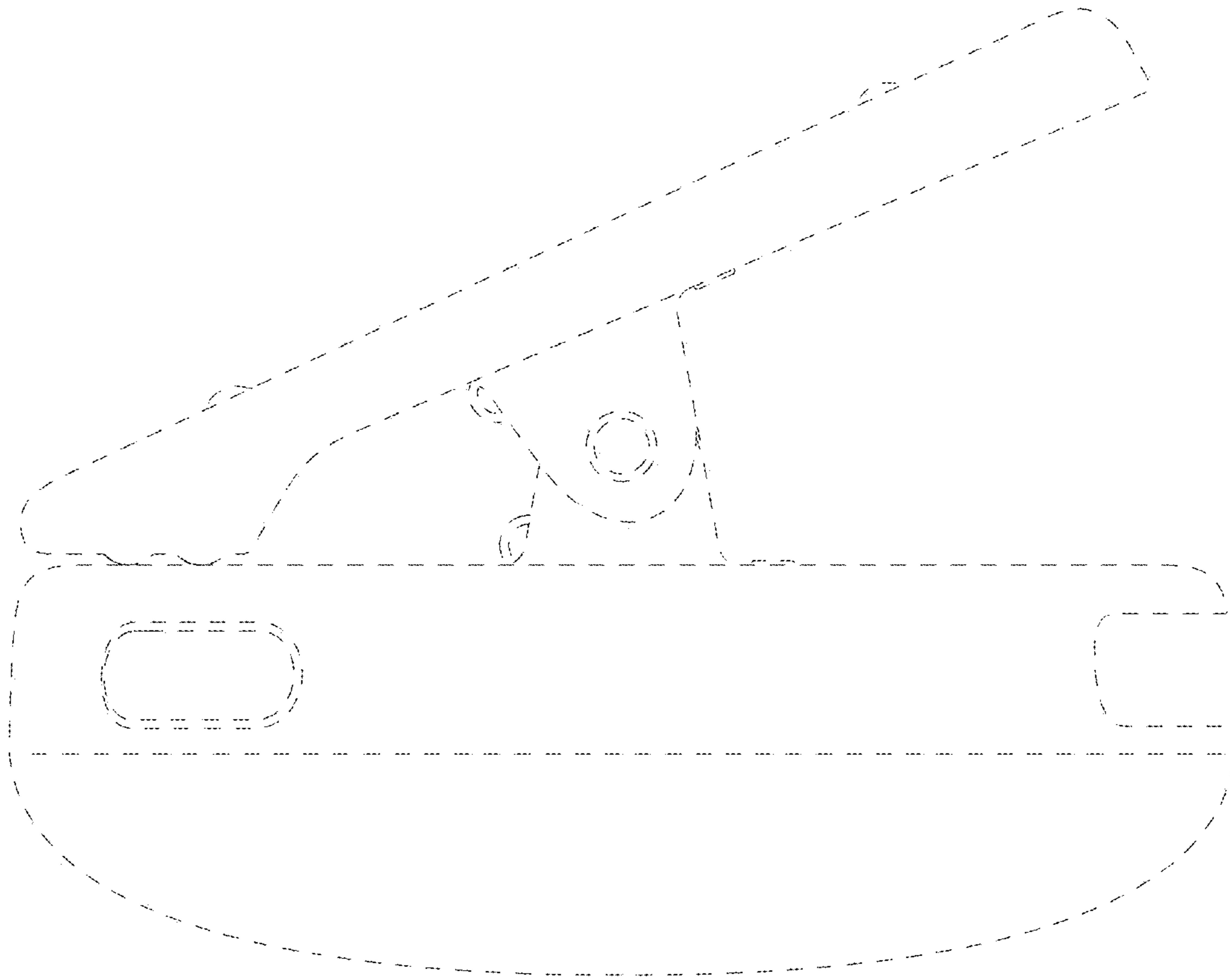


↘  
8

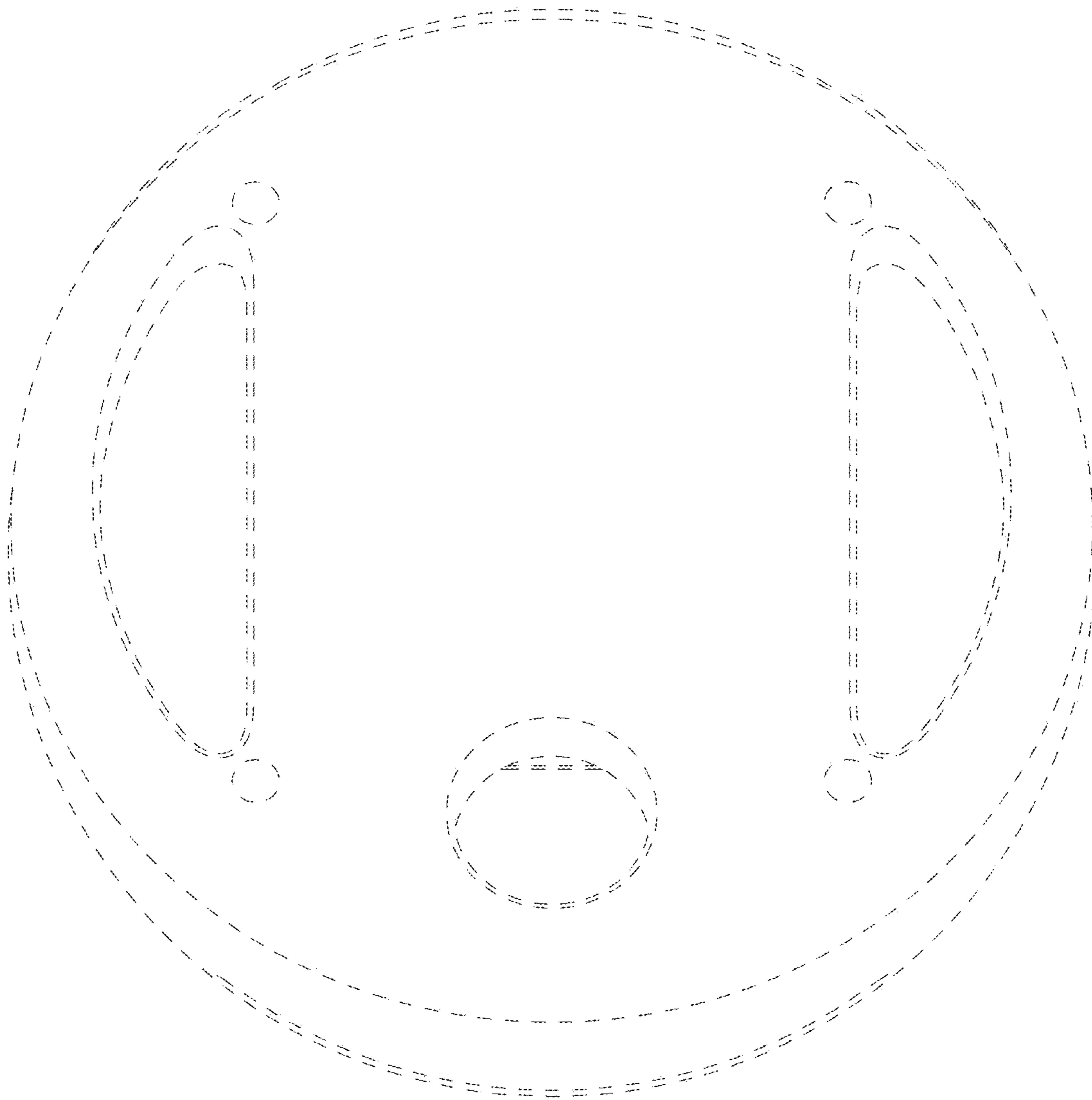
*FIG. 2*



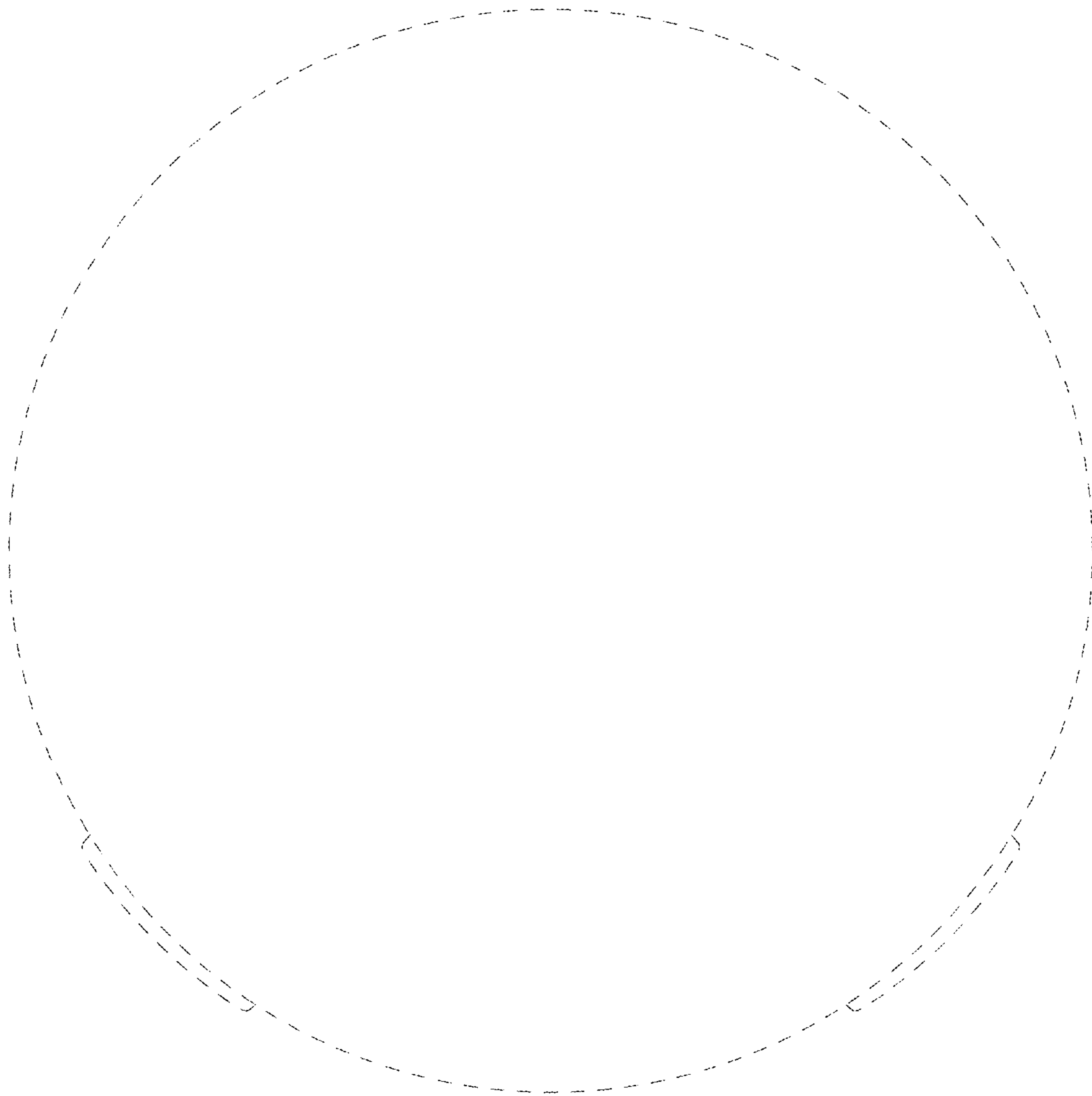
*FIG. 3*



*FIG. 4*



*FIG. 5*





*FIG. 6*

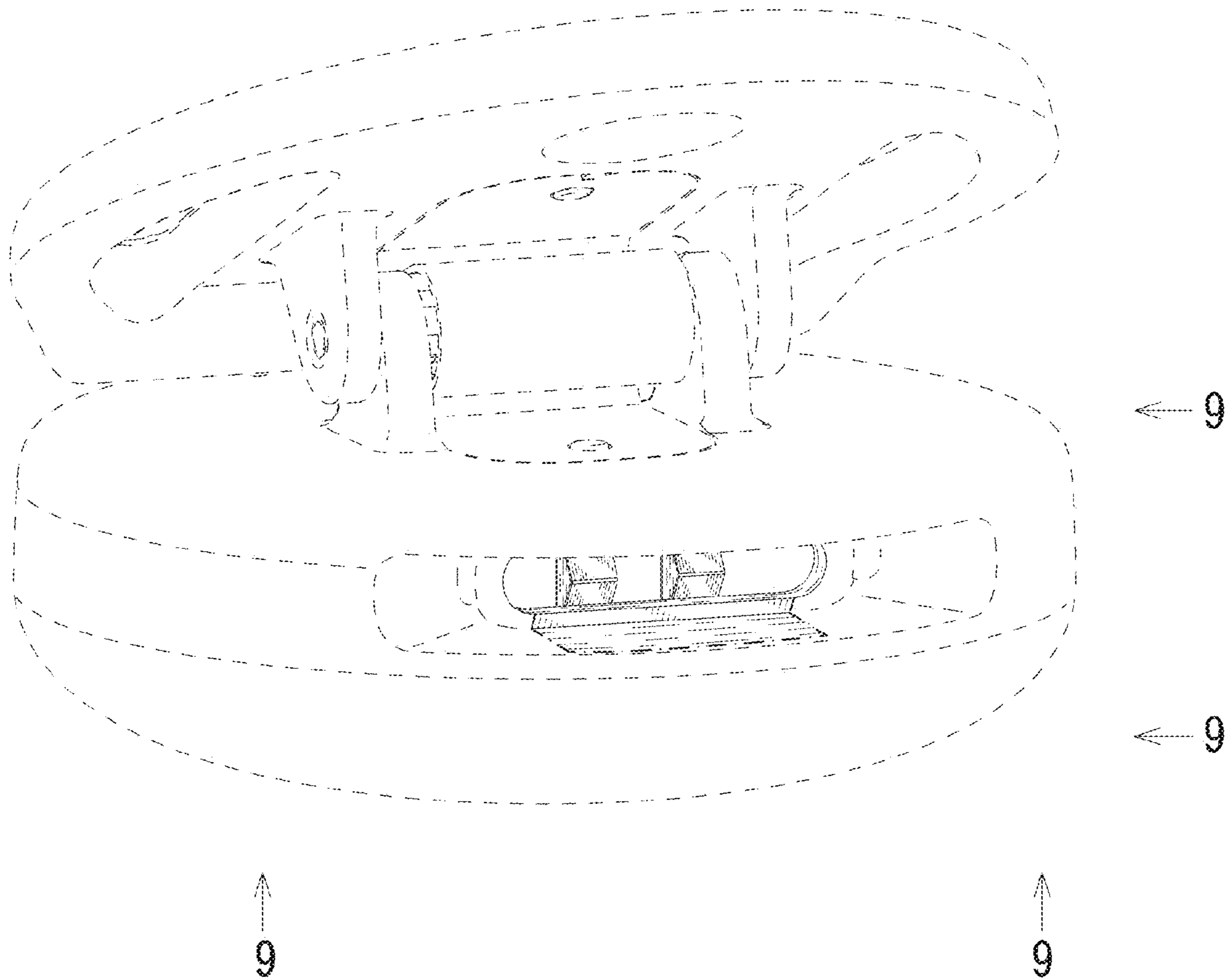
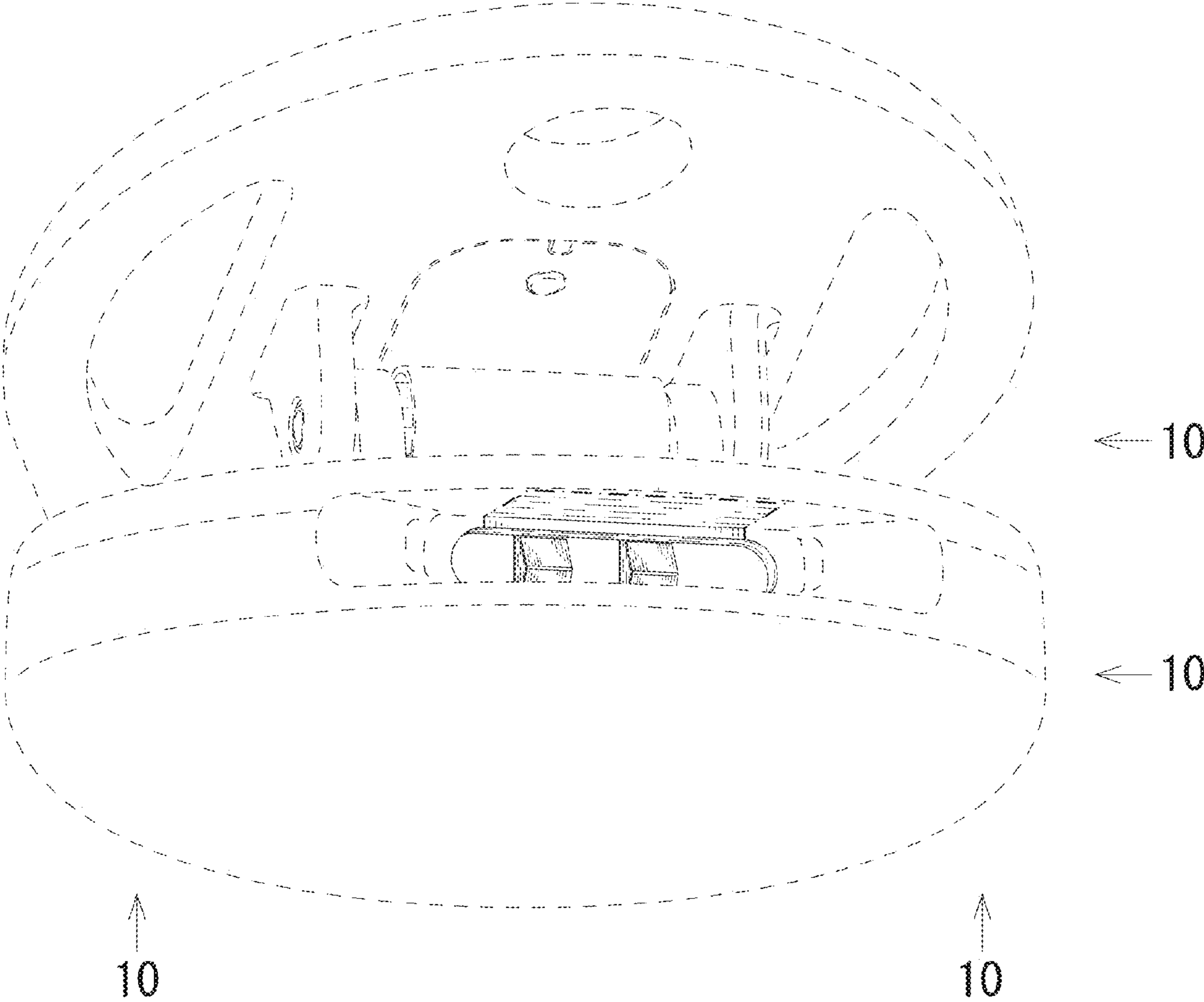
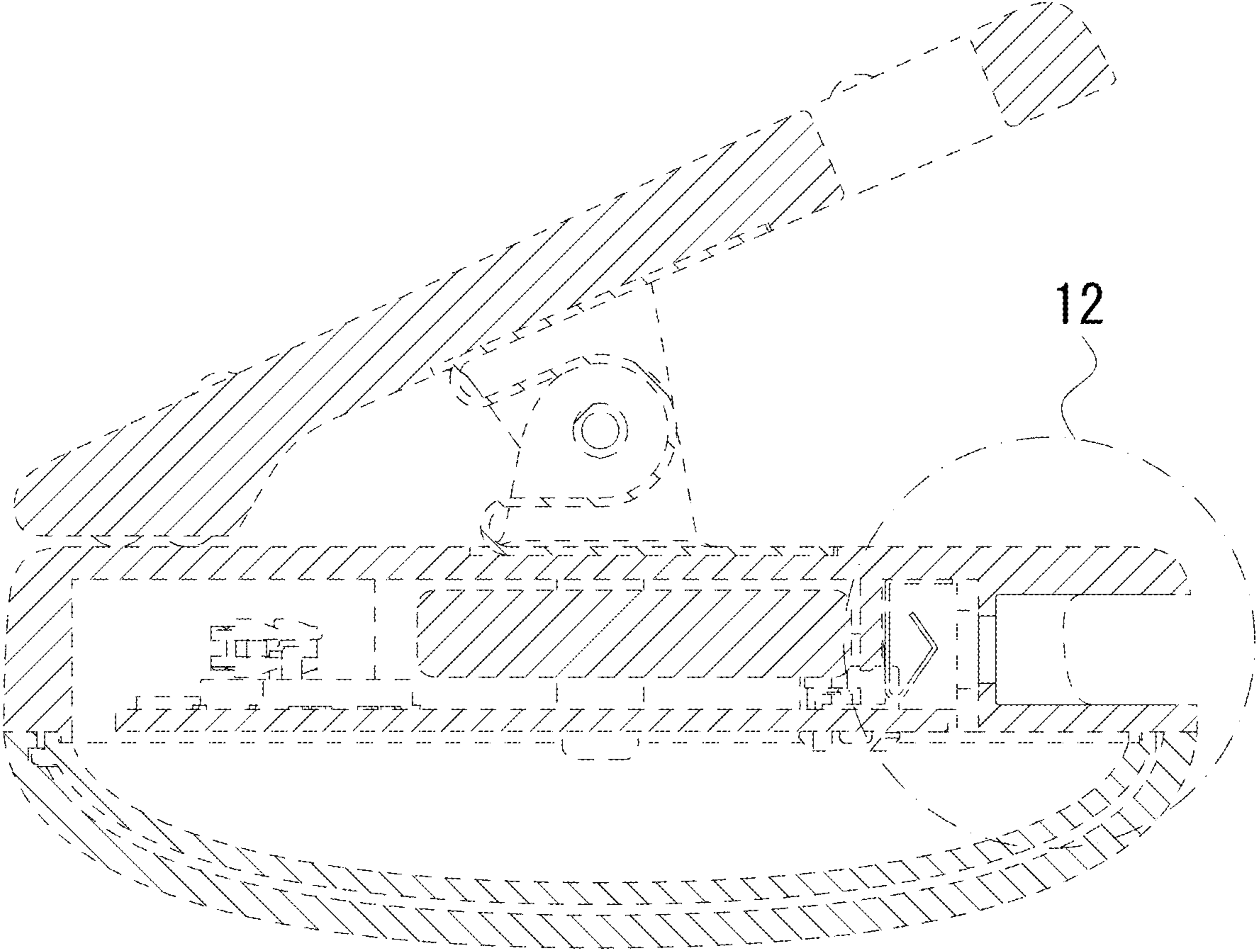




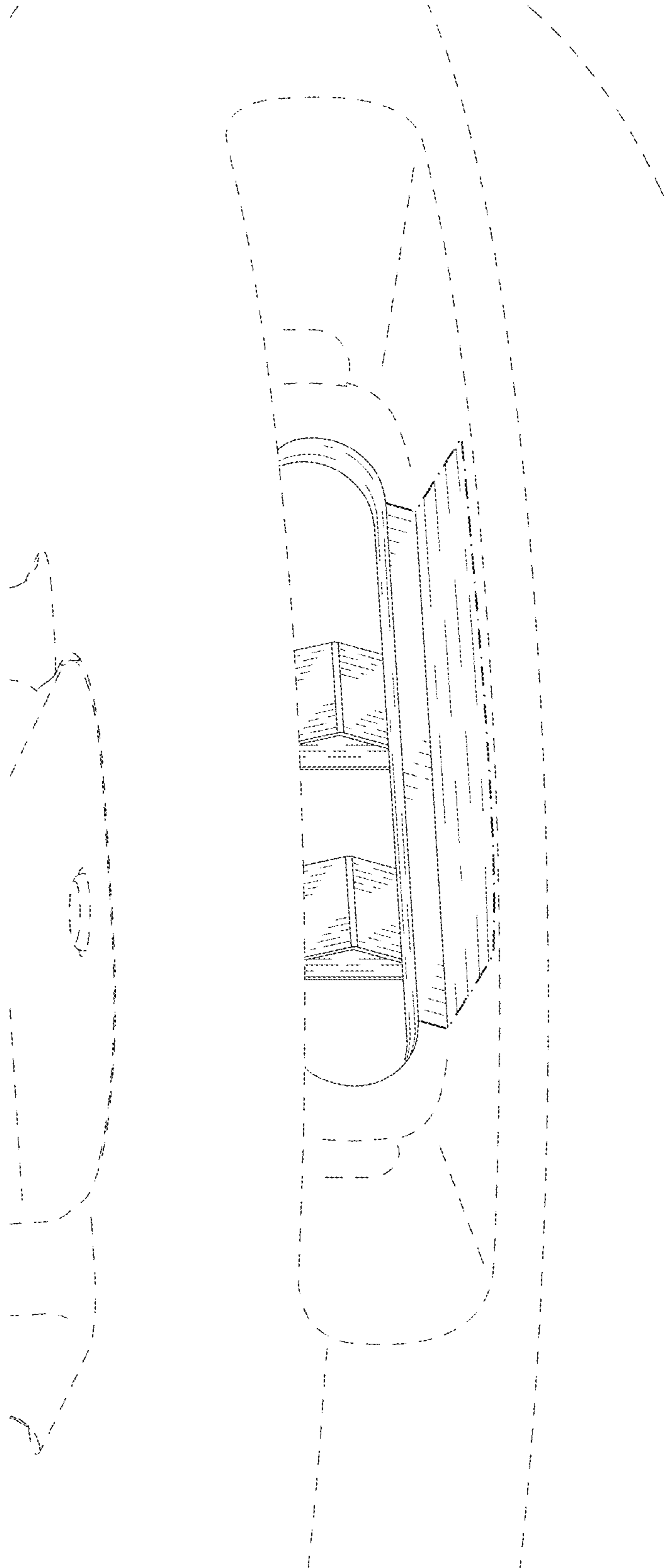
FIG. 7



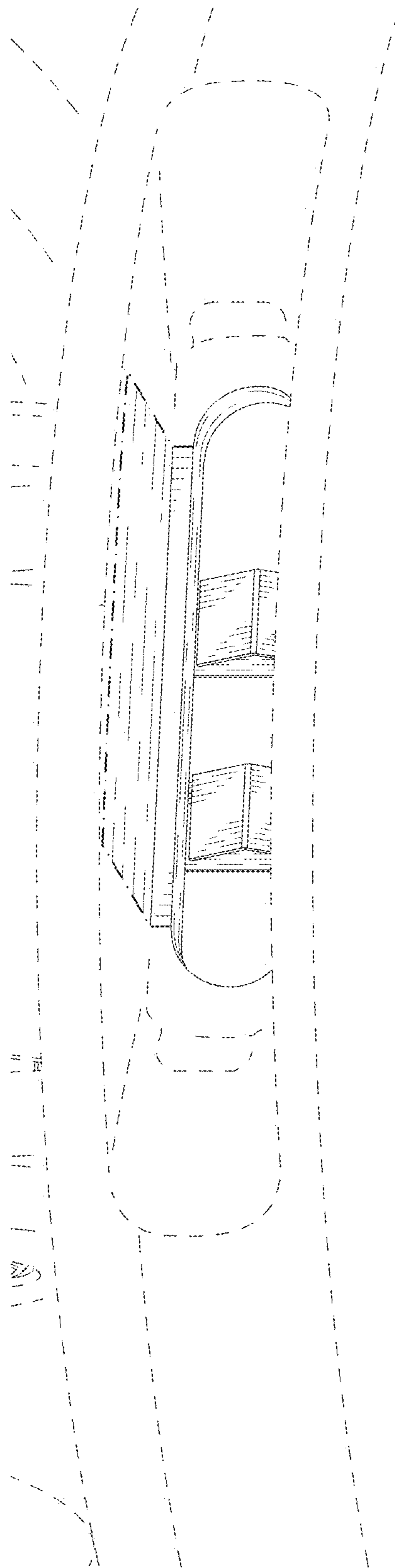
*FIG. 8*



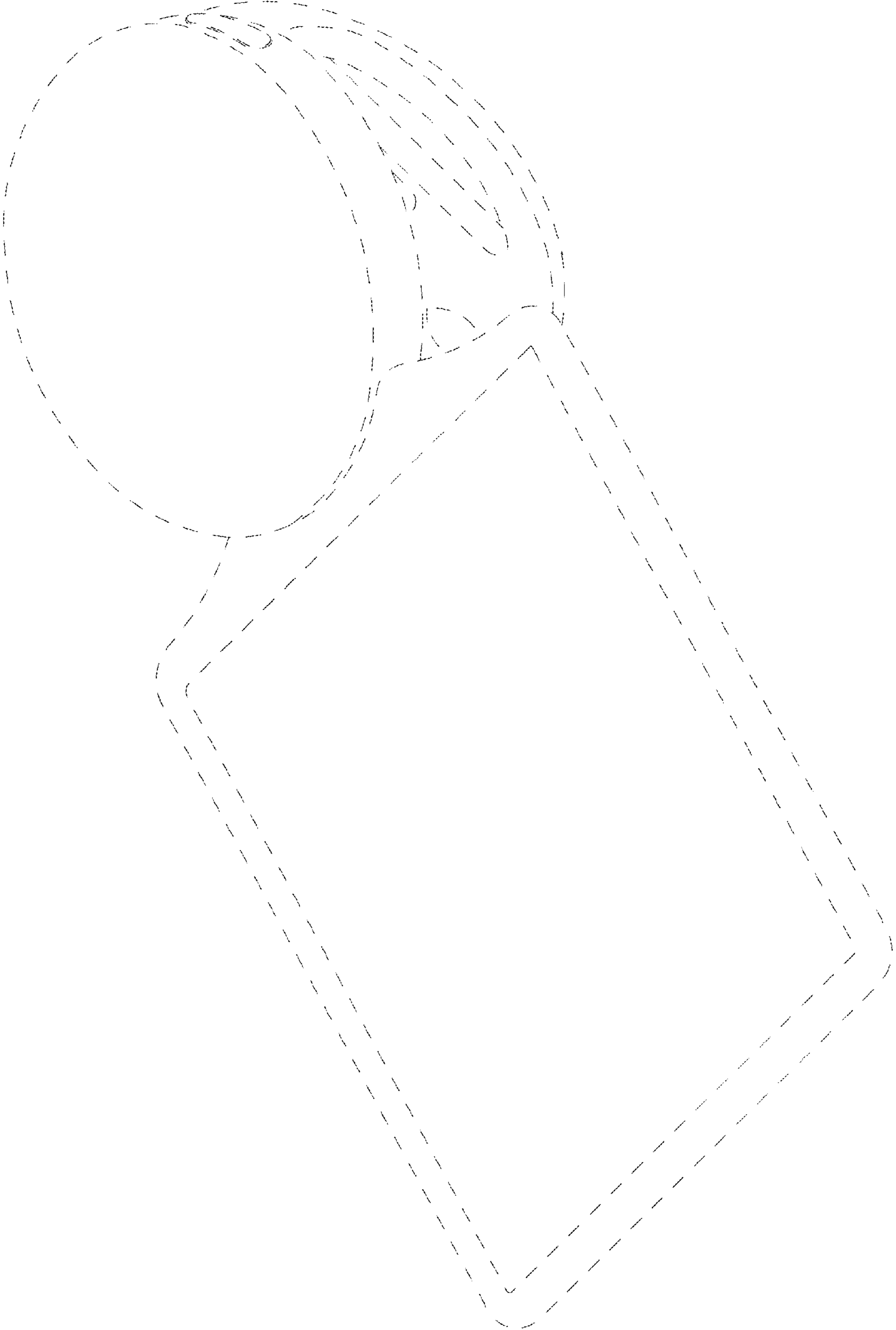
*FIG. 9*



*FIG. 10*



*FIG. 11*



*FIG. 12*

