



US00D926676S

(12) **United States Design Patent**
Hasenmayer et al.

(10) **Patent No.:** **US D926,676 S**
(45) **Date of Patent:** **** Aug. 3, 2021**

(54) **BATTERY CHARGER**

(71) Applicant: **Robert Bosch GmbH**, Stuttgart (DE)

(72) Inventors: **Vincent Hasenmayer**,
Stuttgart-Möhringen (DE); **Kay Zaß**,
Stuttgart (DE); **Christian Haupt**,
Stuttgart (DE)

(73) Assignee: **Robert Bosch GmbH**, Stuttgart (DE)

(**) Term: **15 Years**

(21) Appl. No.: **29/658,337**

(22) Filed: **Jul. 30, 2018**

(30) **Foreign Application Priority Data**

Jun. 4, 2018 (EM) 005296274

(51) **LOC (13) Cl.** **13-02**

(52) **U.S. Cl.**
USPC **D13/107**

(58) **Field of Classification Search**
USPC D13/103, 107–110, 118–119, 184, 199;
D14/251, 253, 432, 434
CPC H02J 7/025; H02J 7/005; H02J 7/0026;
H02J 7/0042; H02J 7/0044; H02J 7/0045;
H02J 7/0013; H02J 7/0003; H02J 7/007;
H02J 7/0027
See application file for complete search history.

(56) **References Cited**

U.S. PATENT DOCUMENTS

D420,323 S *	2/2000	Nakamura	D13/107
D551,618 S *	9/2007	Aglassinger	D13/108
D564,445 S *	3/2008	Stratford	D13/108
D573,089 S *	7/2008	Mandel	D13/107
D605,111 S *	12/2009	Schoch	D13/107
D610,085 S *	2/2010	Sweeney	D13/107
D668,219 S *	10/2012	Zhao	D13/107

D697,474 S *	1/2014	Manneschi	D13/108
D754,600 S *	4/2016	Lin	D13/110
D839,183 S *	1/2019	Kirkpatrick	D13/107
D880,419 S *	4/2020	Hernandez	D13/108
D895,540 S *	9/2020	Hasenmayer	D13/107
D897,948 S *	10/2020	Yrad, Jr.	D13/107
D900,024 S *	10/2020	Kuang	D13/107

* cited by examiner

Primary Examiner — Rosemary K Tarcza

(74) *Attorney, Agent, or Firm* — Maginot, Moore & Beck LLP

(57) **CLAIM**

The ornamental design for a battery charger, as shown and described.

DESCRIPTION

Cross reference is made to copending U.S. design patent application Ser. No. 29/658,341 entitled “Battery Charger” by Hasenmayer et al., which was filed on even date herewith.

FIG. 1 is a perspective view of a battery charger showing our new design;

FIG. 2 is a right side elevational view of the battery charger of FIG. 1;

FIG. 3 is a left side elevational view of the battery charger of FIG. 1;

FIG. 4 is a front elevational view of the battery charger of FIG. 1;

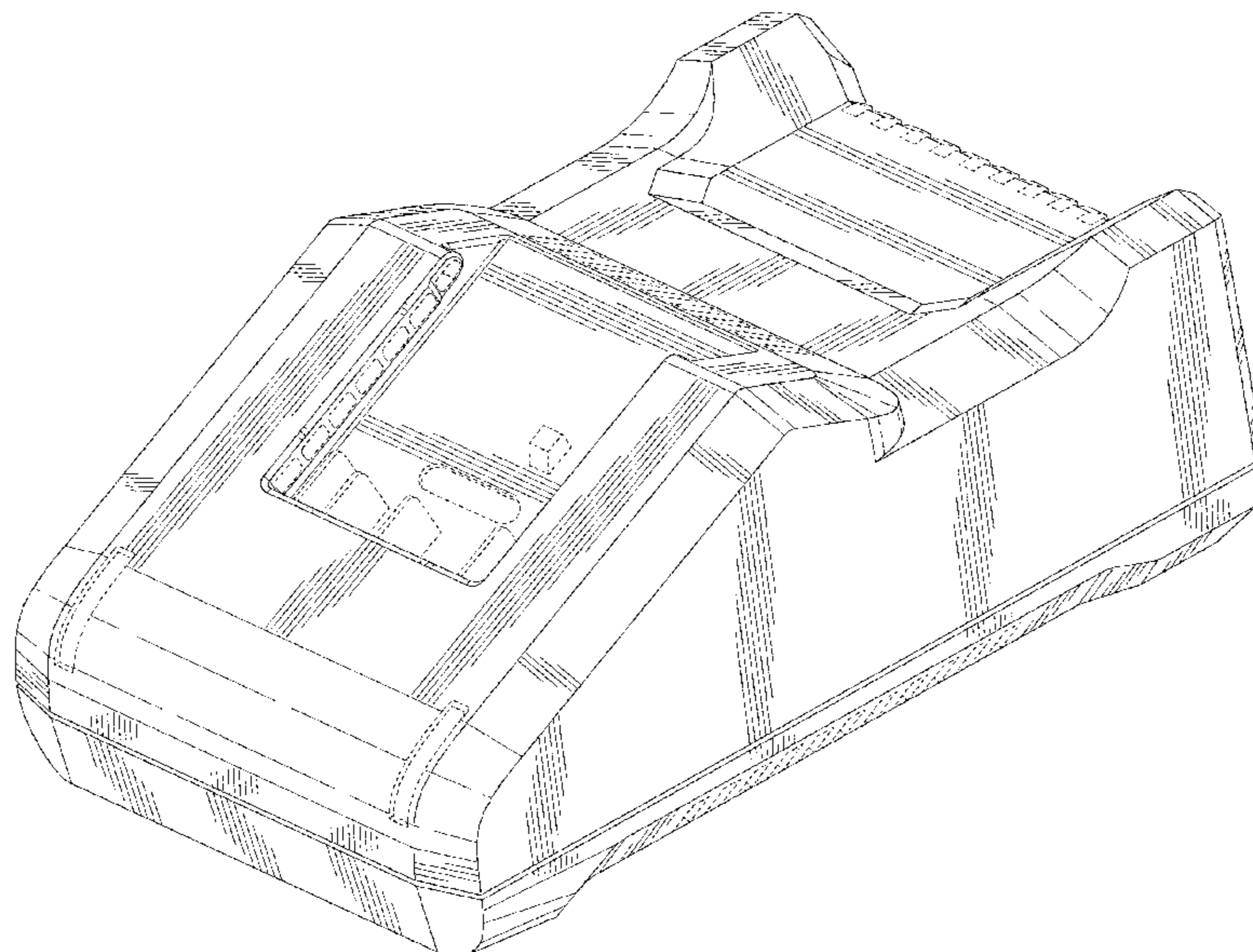
FIG. 5 is a rear elevational view of the battery charger of FIG. 1;

FIG. 6 is a top plan view of the battery charger of FIG. 1; and,

FIG. 7 is a bottom plan view of the battery charger of FIG. 1.

The broken lines shown in the drawings illustrate portions of the battery charger that form no part of the claimed design.

1 Claim, 7 Drawing Sheets



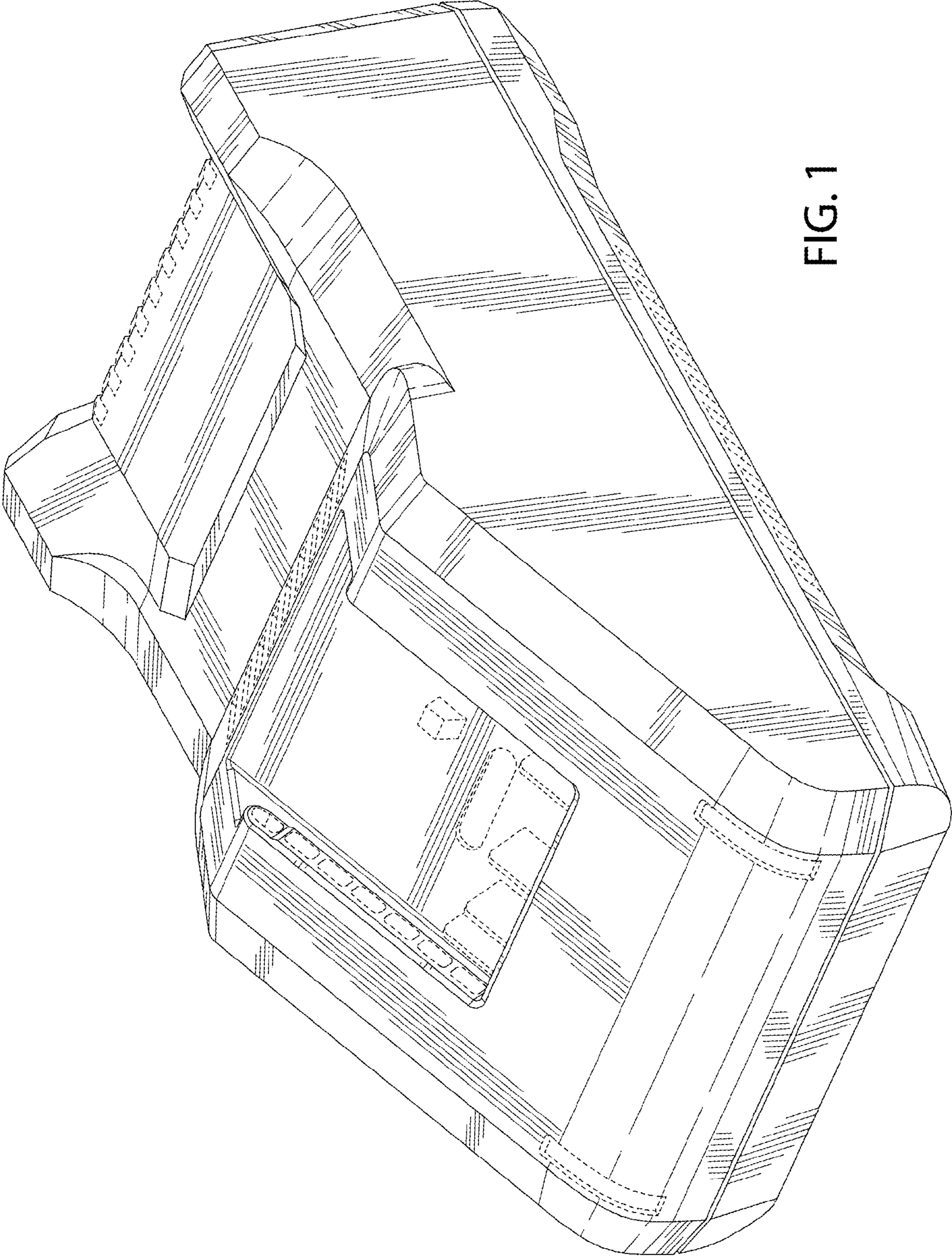


FIG. 1

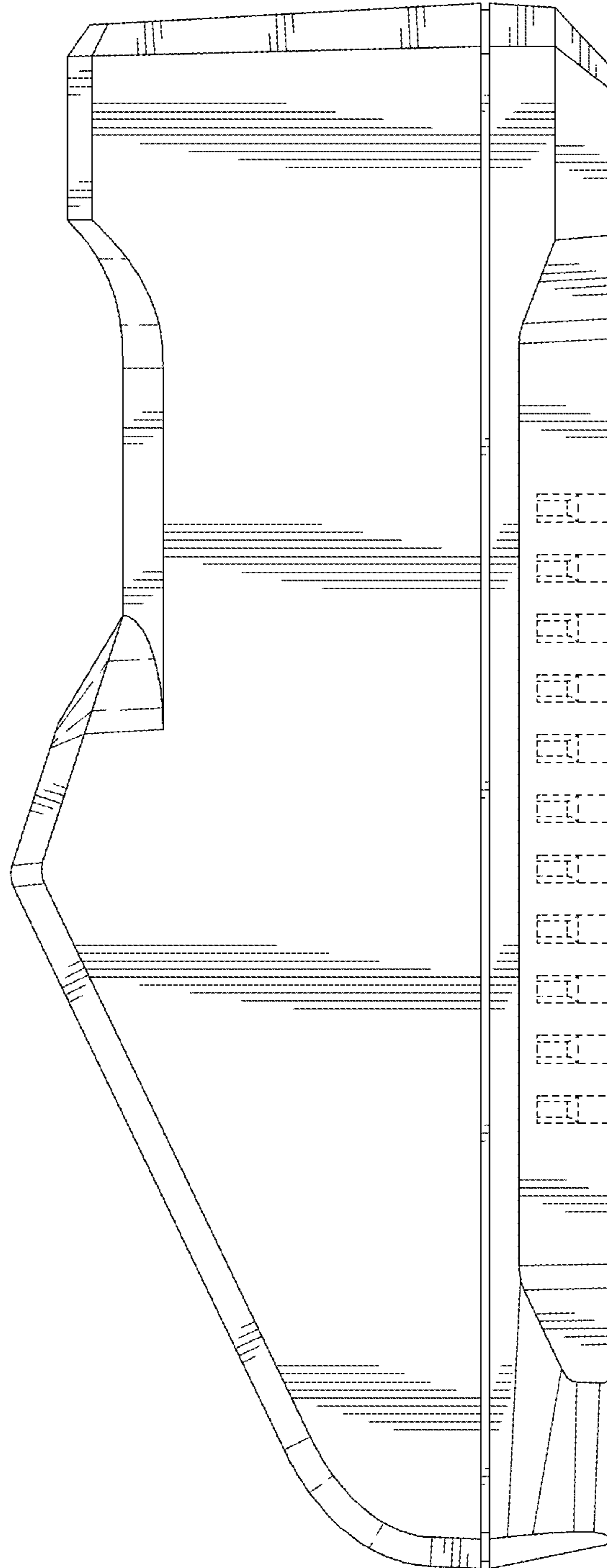


FIG. 2

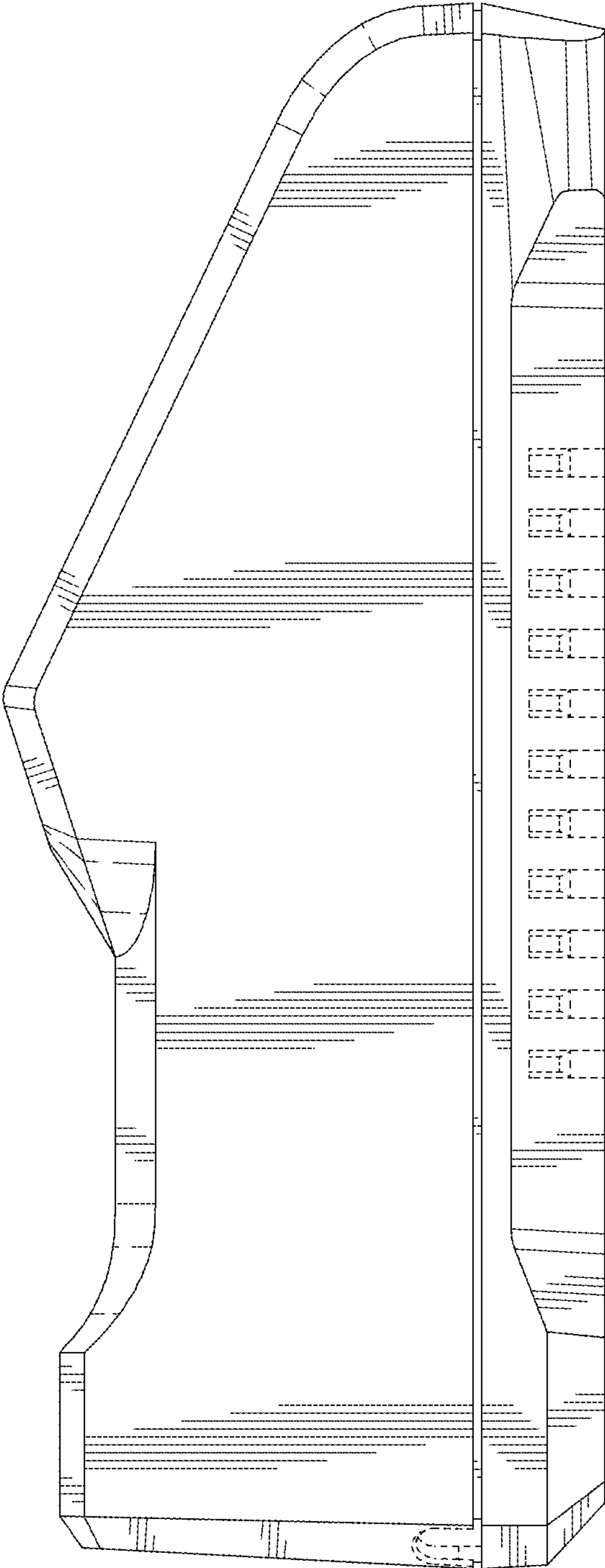


FIG. 3

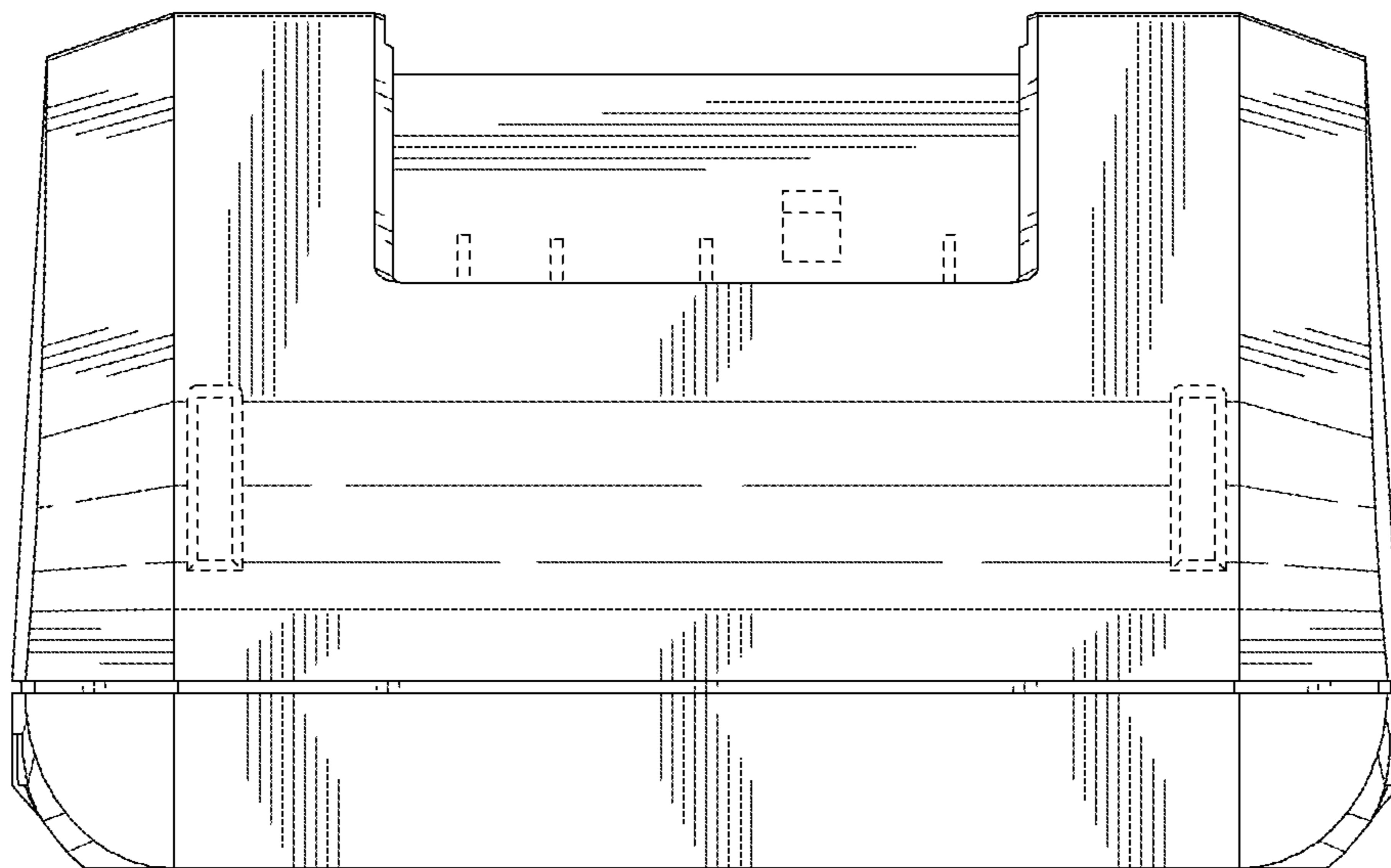


FIG. 4

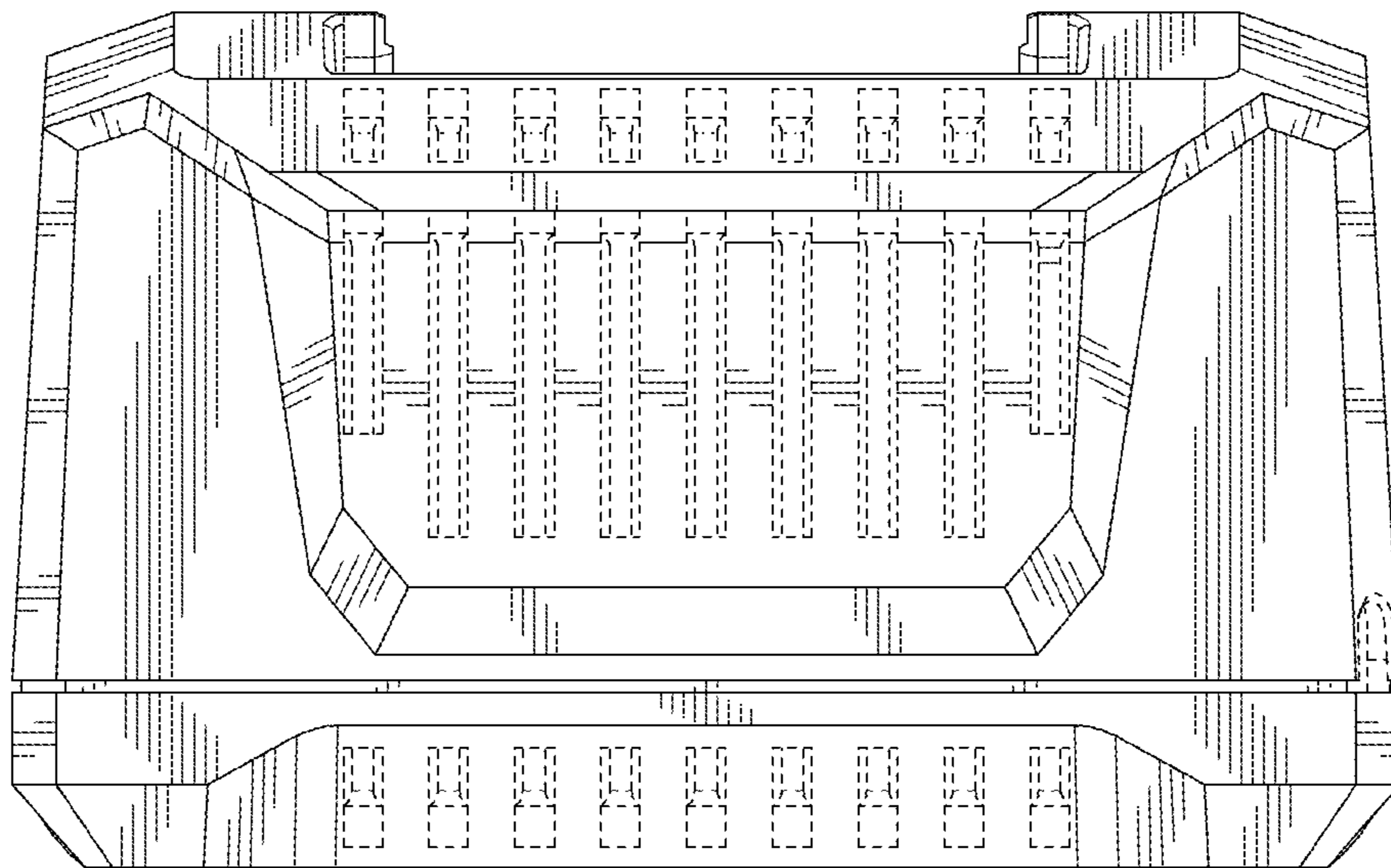


FIG. 5

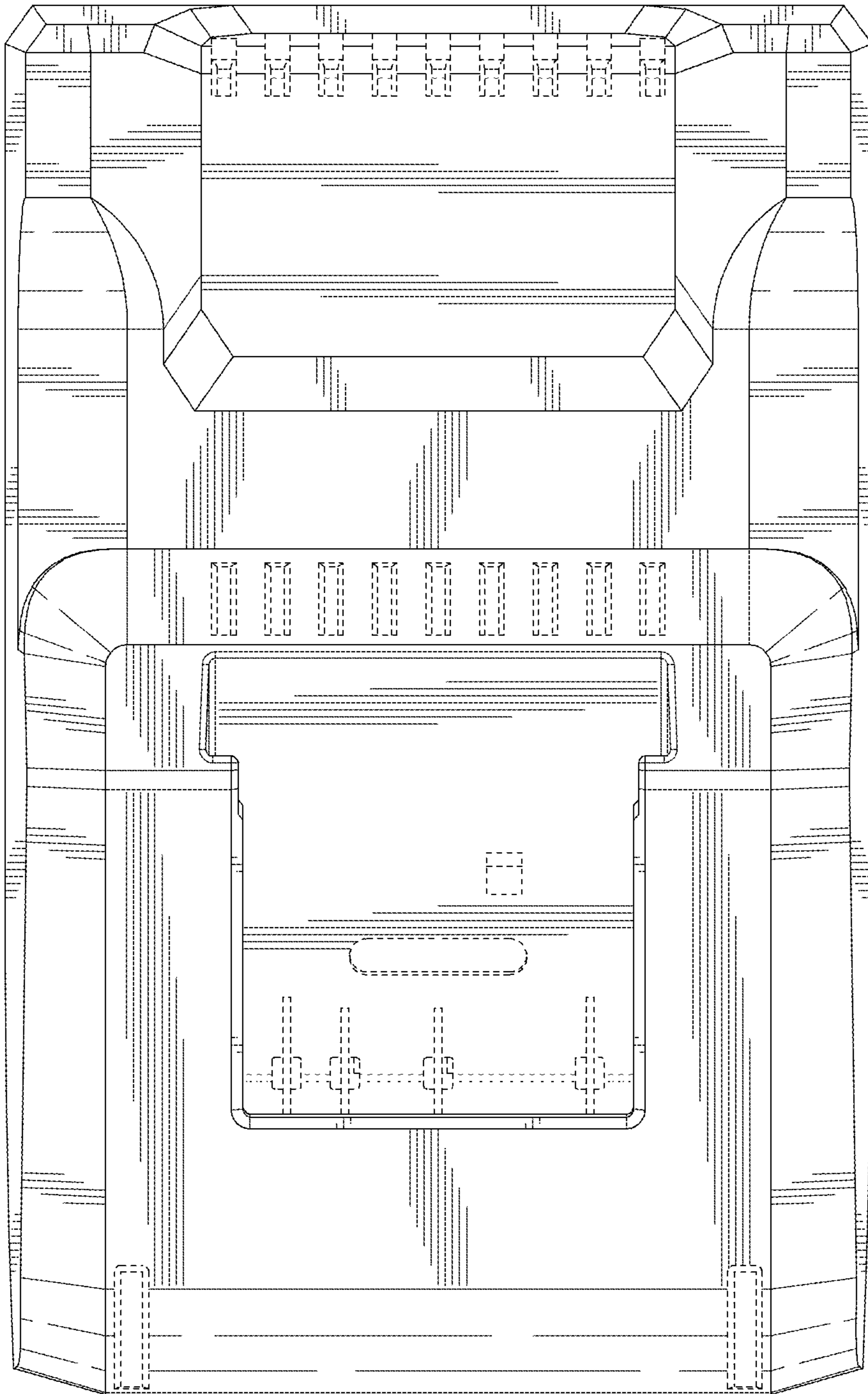


FIG. 6

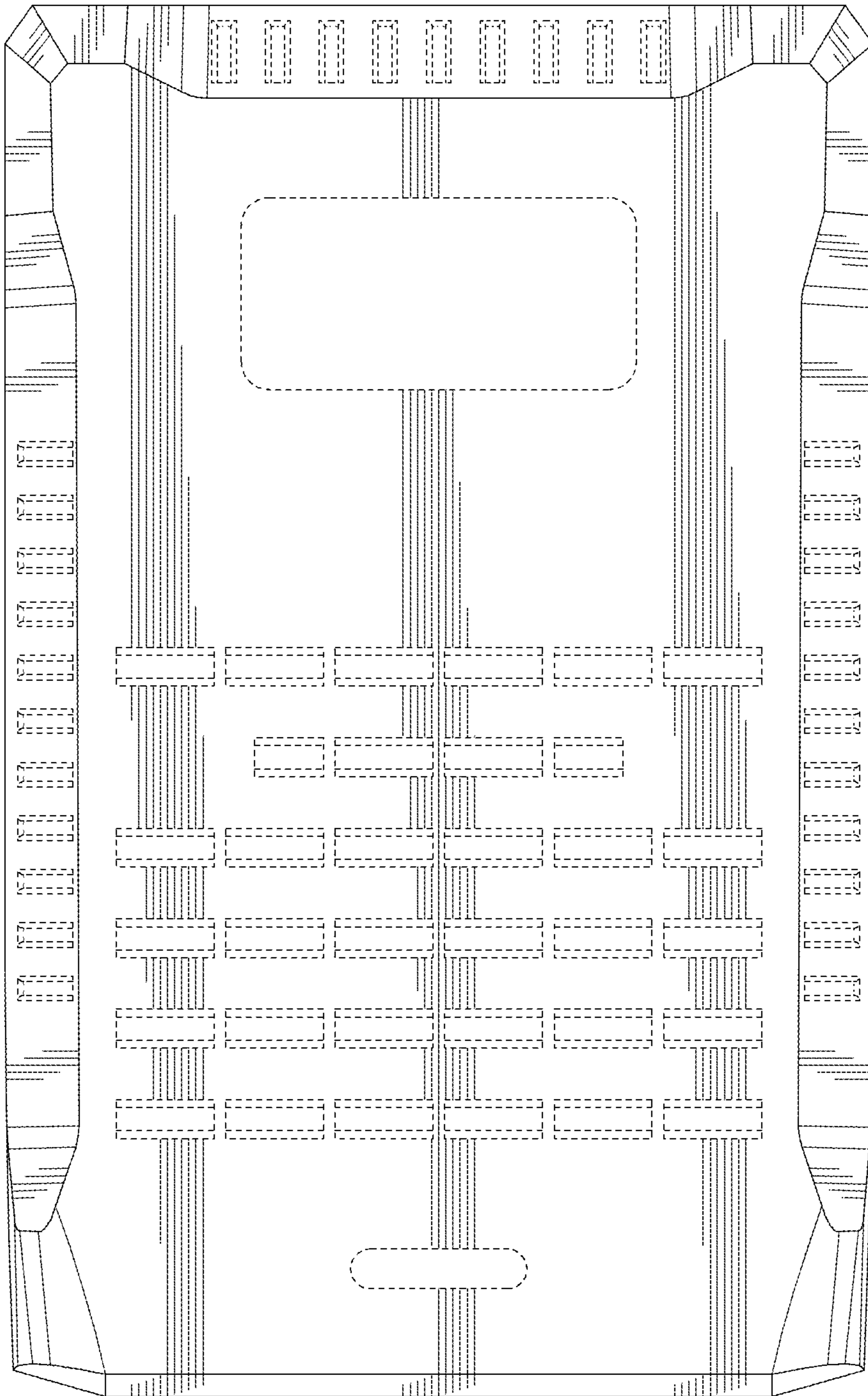


FIG. 7