



US00D926675S

(12) **United States Design Patent** (10) **Patent No.:** **US D926,675 S**
Kwak et al. (45) **Date of Patent:** **** Aug. 3, 2021**

(54) **CASE FOR BATTERY MODULE**
(71) Applicant: **LG Chem, Ltd.**, Seoul (KR)
(72) Inventors: **Jung-Min Kwak**, Daejeon (KR);
Jun-Yeob Seong, Daejeon (KR);
Jong-Ha Jeong, Daejeon (KR)
(73) Assignee: **LG Chem, Ltd.**
(**) Term: **15 Years**
(21) Appl. No.: **29/696,224**
(22) Filed: **Jun. 26, 2019**

(30) **Foreign Application Priority Data**
Dec. 26, 2018 (KR) 30-2018-0061680
(51) **LOC (13) Cl.** **13-02**
(52) **U.S. Cl.**
USPC **D13/103**
(58) **Field of Classification Search**
USPC D13/103–108, 118–119, 184, 199;
D14/356, 432; D9/414, 430, 432;
D7/600.1, 635; D19/102, 81, 84, 85
CPC Y02E 60/122; Y02E 60/12; Y02E 60/50;
H01M 2/02; H01M 2/022; H01M 2/0202;
H01M 2/0207; H01M 2/0212; H01M
2/1061; H01M 2/1022; H01M 2/1055;
H01M 2/1066; H01M 2/105; H01M
2/204; H01M 10/4257; H01M 10/0436;
H01M 10/48; H02J 50/12
See application file for complete search history.

(56) **References Cited**
U.S. PATENT DOCUMENTS
5,424,146 A * 6/1995 Lin H01M 2/024
429/175
D526,894 S * 8/2006 Hamuro D9/432
8,846,231 B2 * 9/2014 Buck H01M 10/049
429/120

9,065,082 B2 * 6/2015 Masuda H01M 10/6554
D827,594 S * 9/2018 Shim D13/184
2002/0045096 A1 * 4/2002 Sandberg H01M 10/0436
429/163
2006/0141354 A1 * 6/2006 Kwon H01M 2/0202
429/164
2008/0292913 A1 * 11/2008 Hong H01M 2/0207
429/7
2011/0117424 A1 * 5/2011 Kim H01M 10/02
429/176
2011/0123854 A1 * 5/2011 Kim H01M 2/0212
429/176
2018/0151857 A1 * 5/2018 Gang H01M 10/425
2019/0020004 A1 * 1/2019 Choi H01M 2/30
2020/0036067 A1 * 1/2020 Mummigatti H01M 2/1077
2020/0235352 A1 * 7/2020 Jung H01M 2/0262

* cited by examiner

Primary Examiner — Catherine S Posthauer
Assistant Examiner — Alison M Ofstun
(74) *Attorney, Agent, or Firm* — Lerner, David,
Littenberg, Krumholz & Mentlik, LLP

(57) **CLAIM**

The ornamental design for a case for battery module, as shown and described.

DESCRIPTION

FIG. 1 is a front perspective view of a case for battery module according to our design;
FIG. 2 is a front view thereof;
FIG. 3 is a rear view thereof;
FIG. 4 is a left side view thereof;
FIG. 5 is a right side view thereof;
FIG. 6 is a top view thereof;
FIG. 7 is a bottom view thereof;
FIG. 8 is an enlarged perspective view of portion “8” shown in FIG. 7; and,
FIG. 9 is an enlarged perspective view of portion “9” shown in FIG. 7.

1 Claim, 5 Drawing Sheets

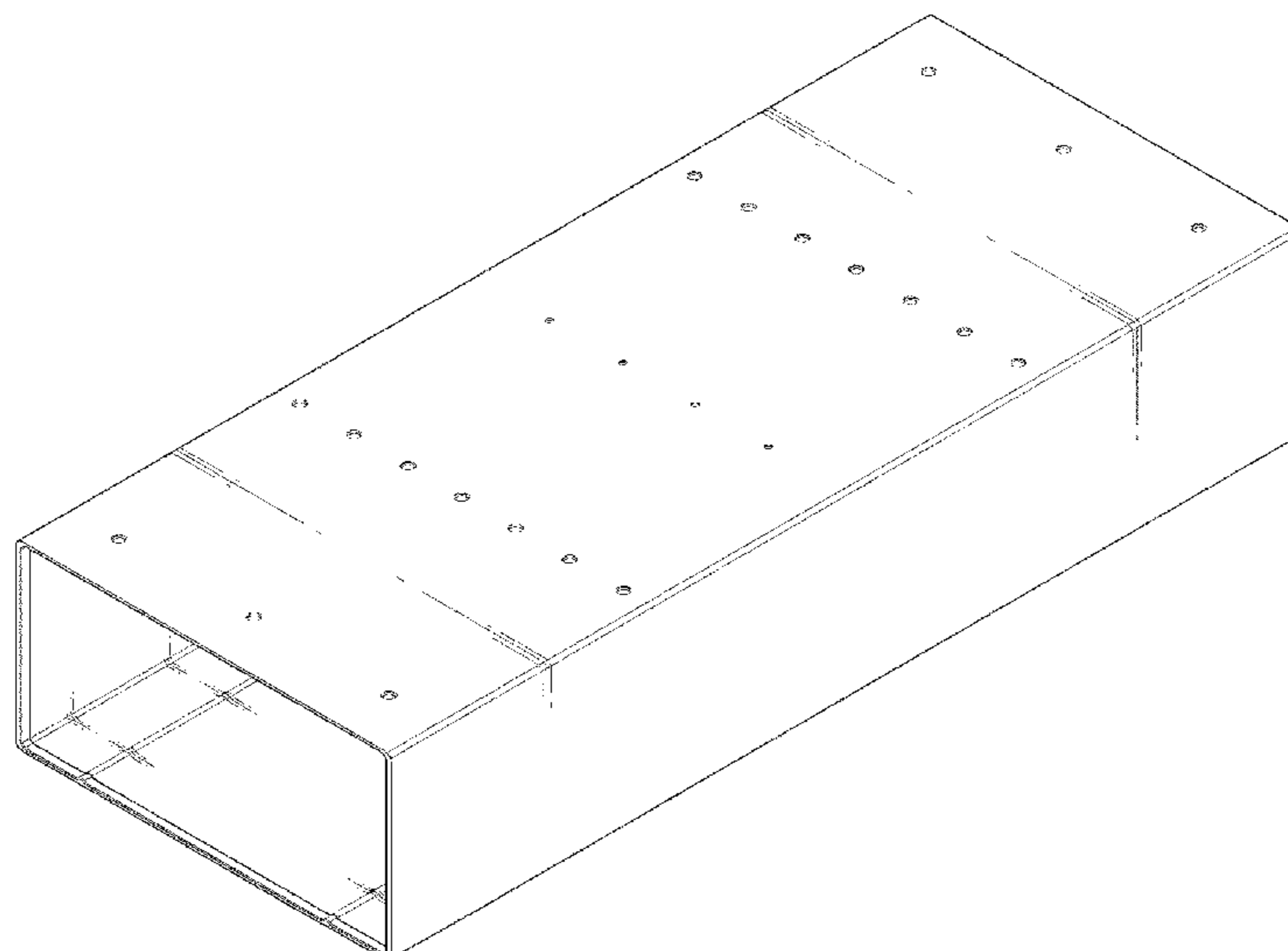


FIG. 1

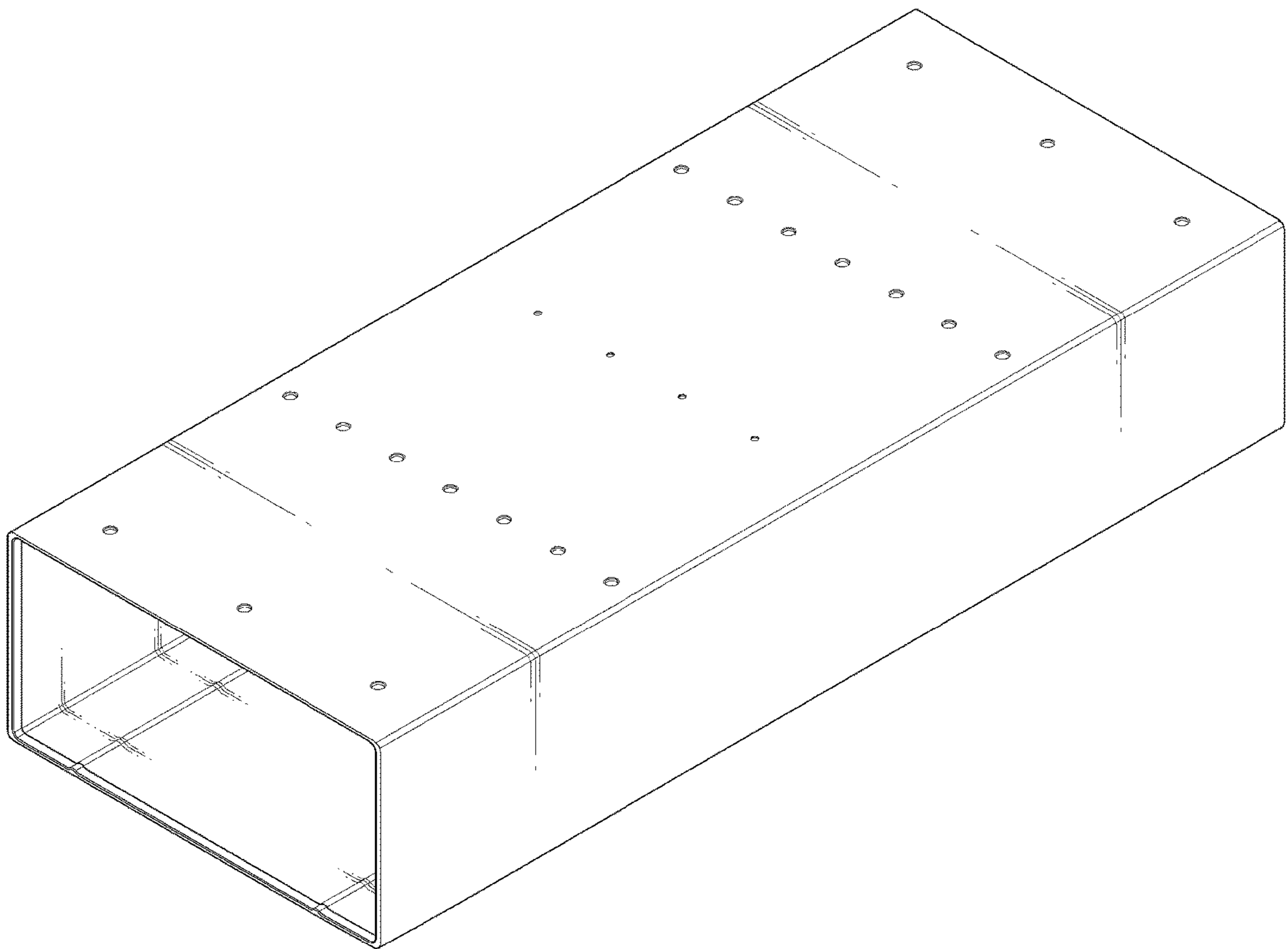


FIG. 2

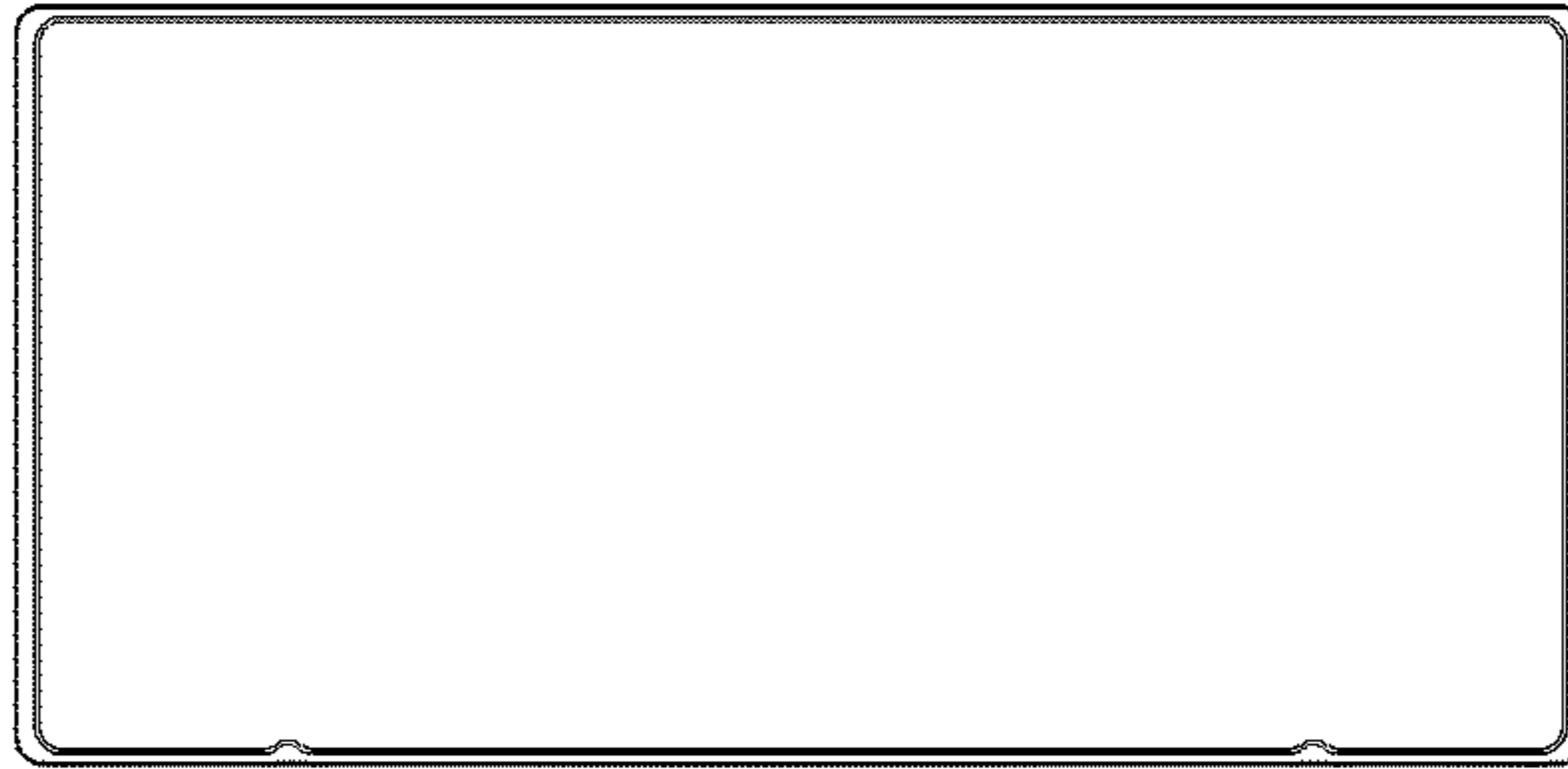


FIG. 3

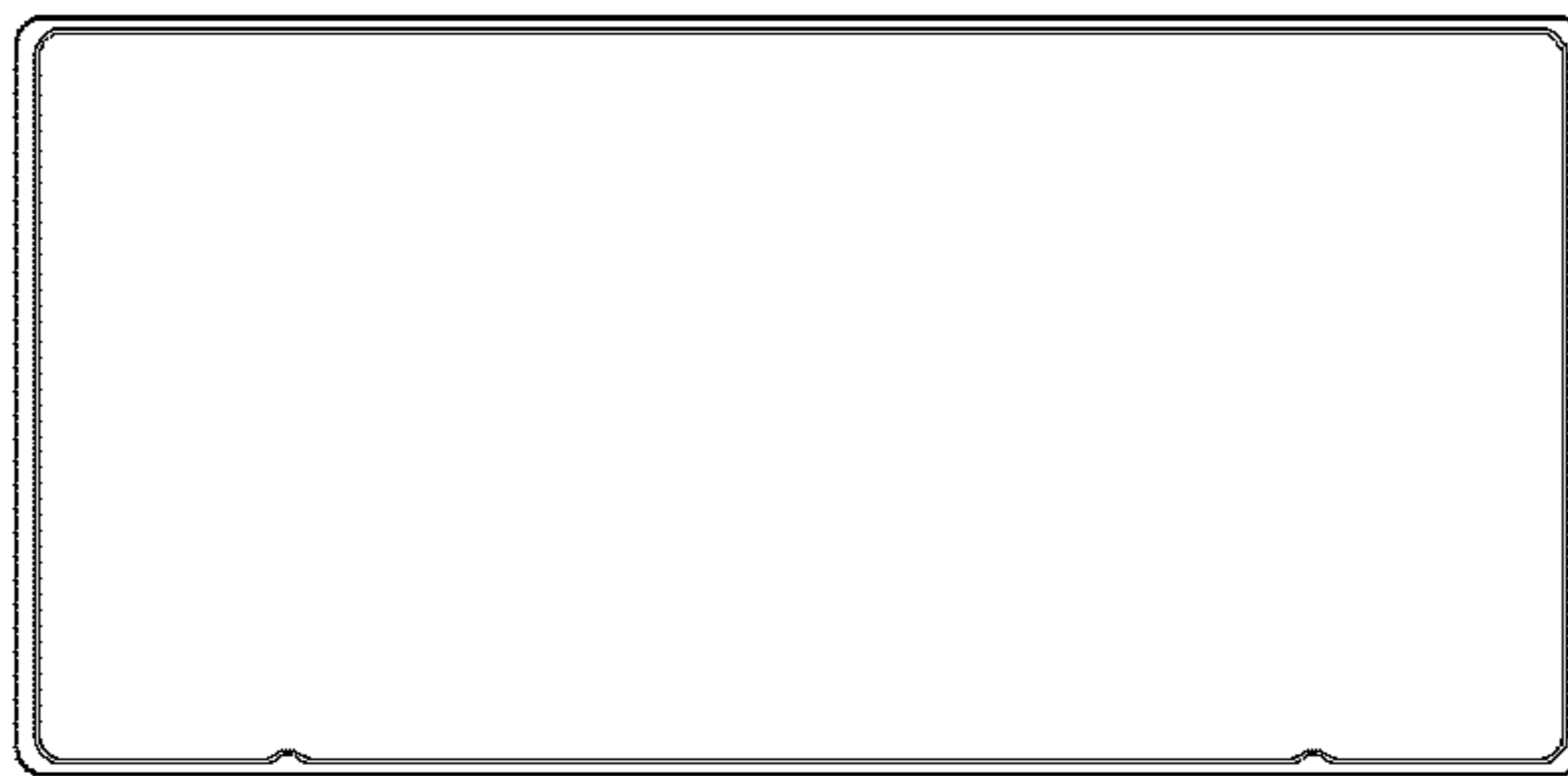


FIG. 4

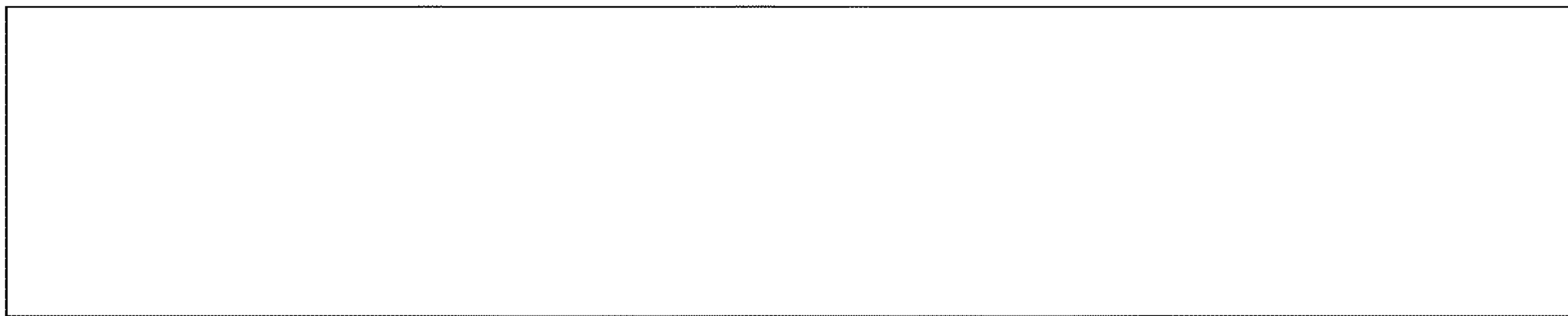


FIG. 5

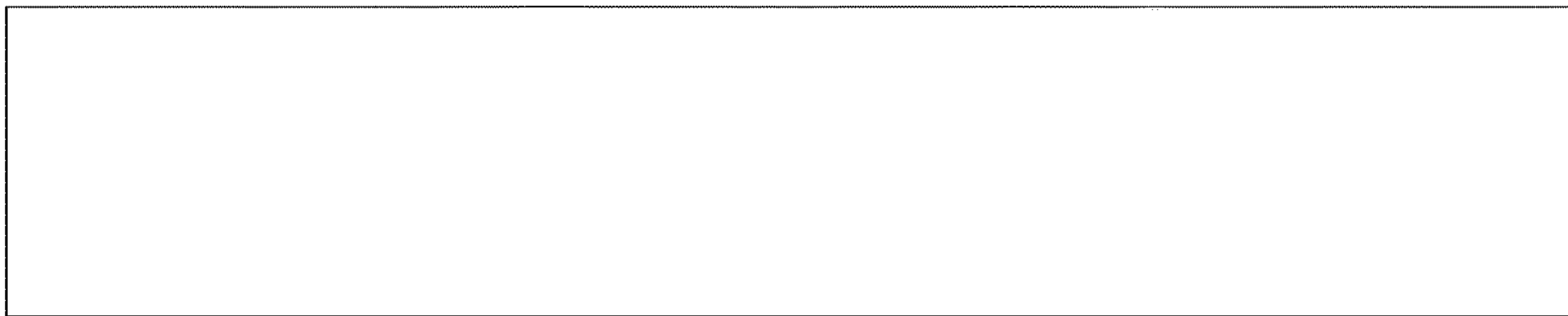


FIG. 6

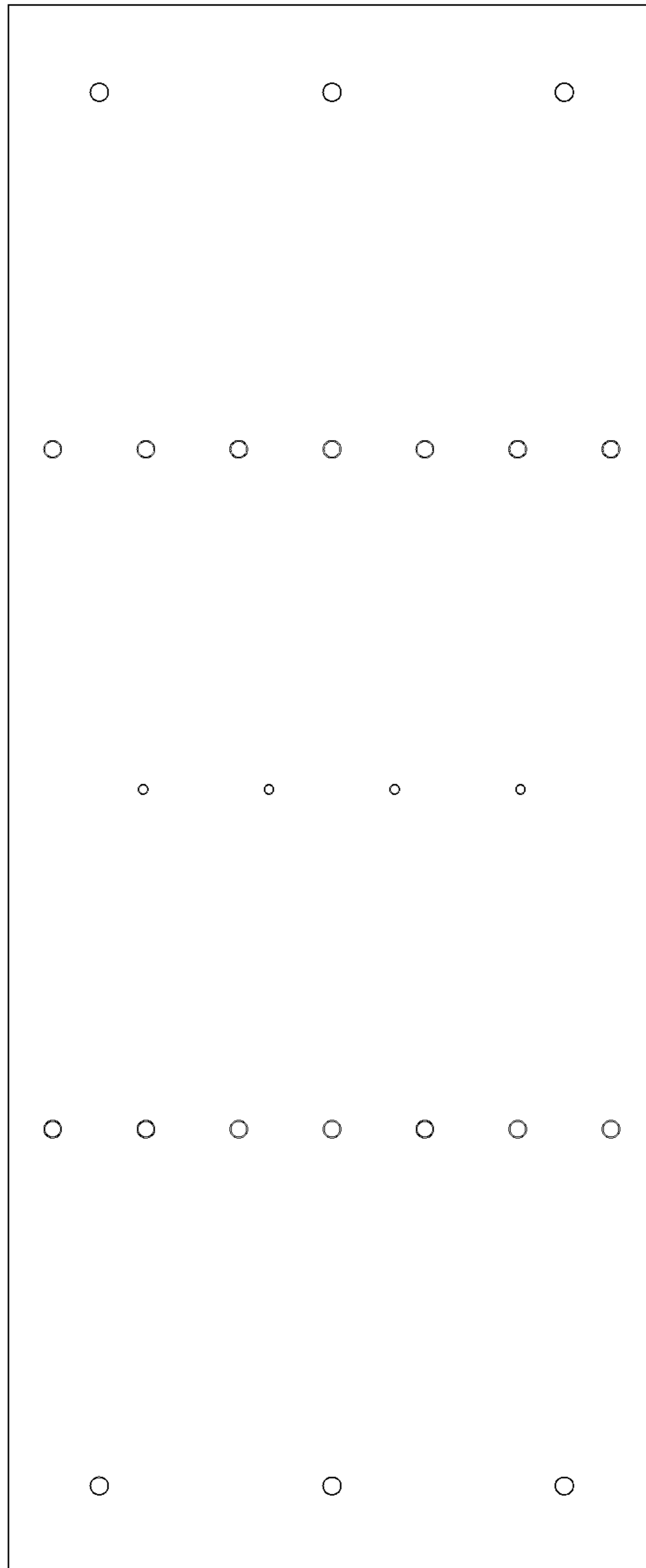


FIG. 7

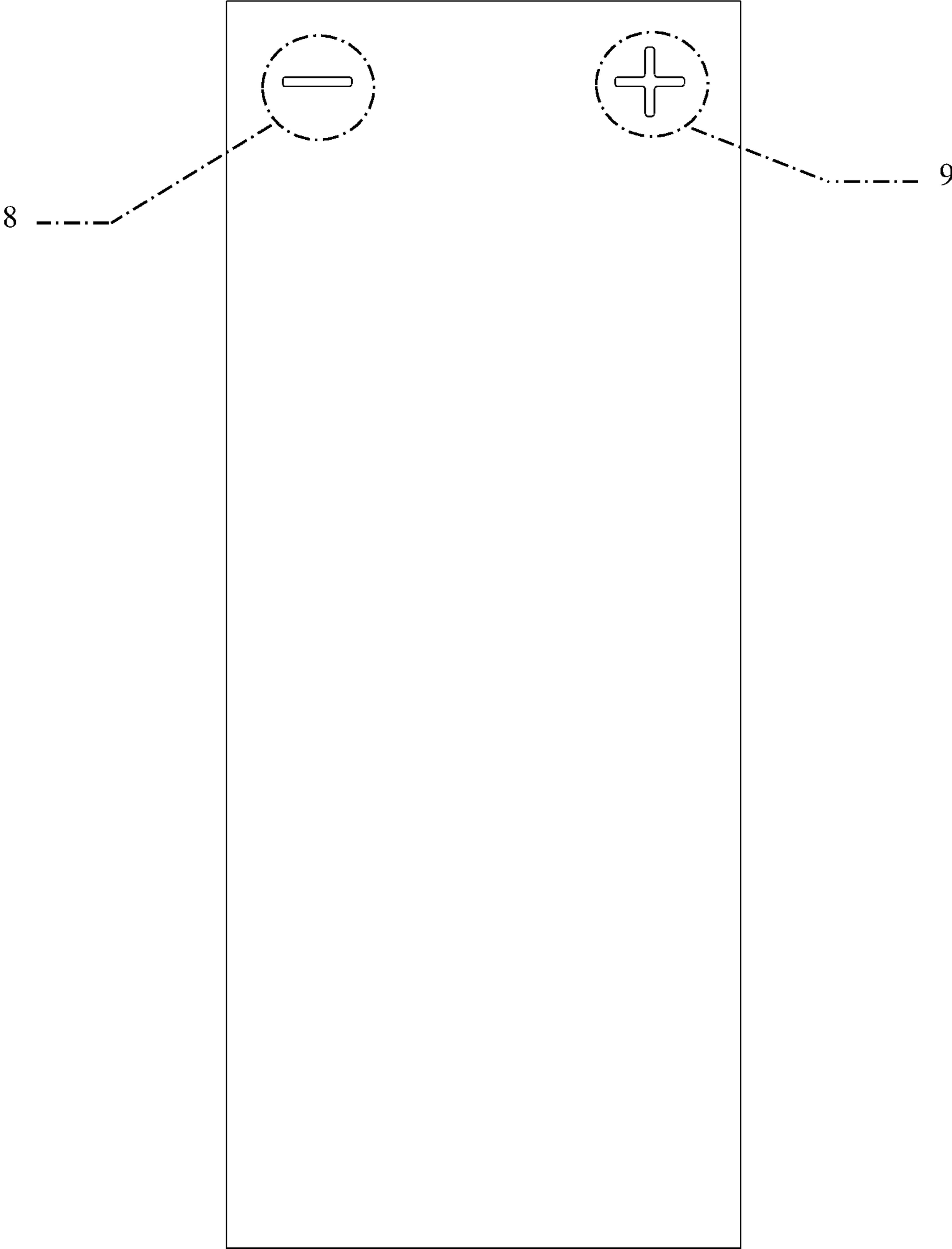


FIG. 8

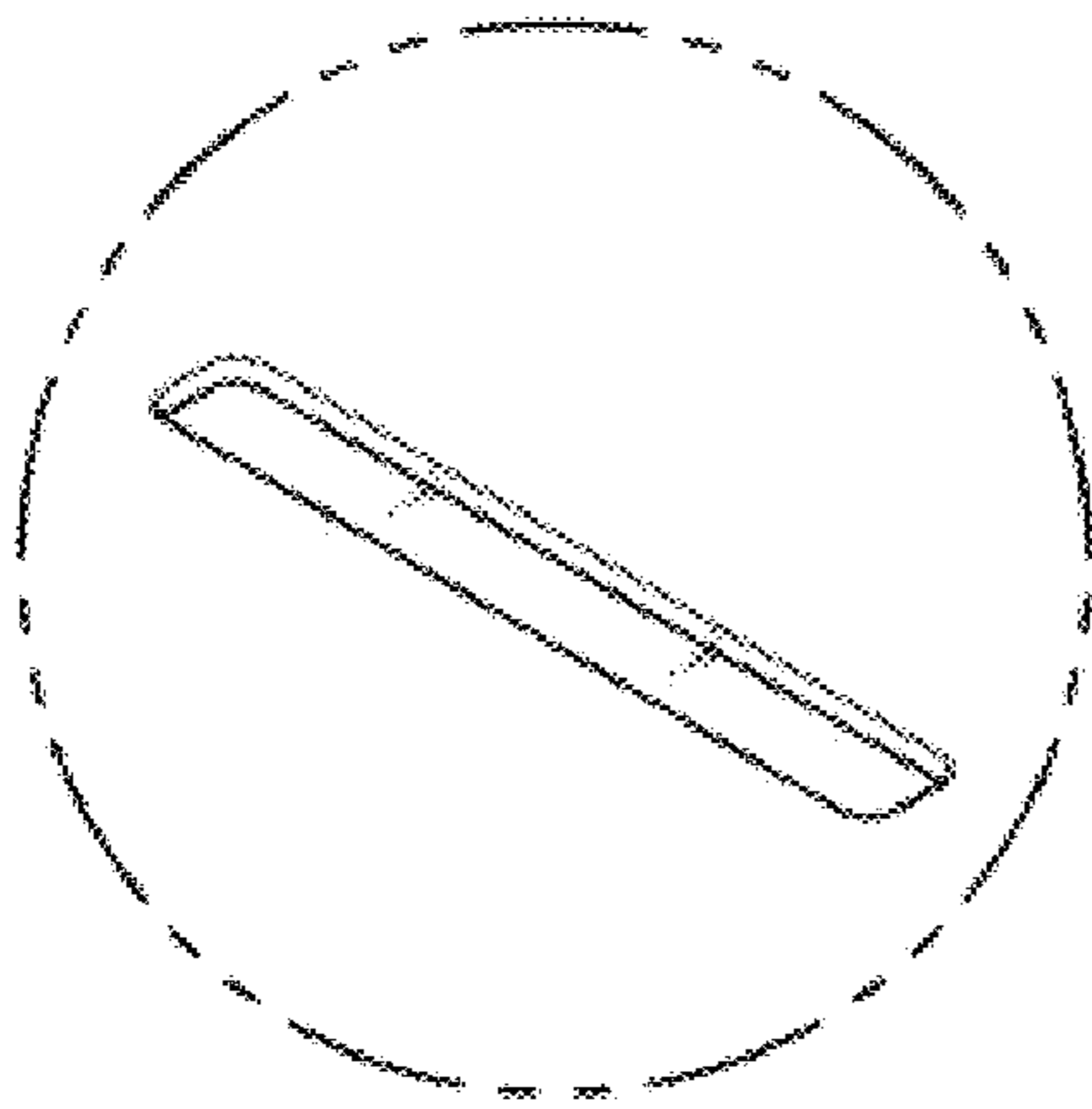


FIG. 9

