



US00D926673S

(12) **United States Design Patent** (10) **Patent No.:** **US D926,673 S**  
**Tanno** (45) **Date of Patent:** **\*\* Aug. 3, 2021**

(54) **AUTOMOBILE TIRE**

(57) **CLAIM**

(71) Applicant: **THE YOKOHAMA RUBBER CO., LTD.**, Tokyo (JP)

The ornamental design for an automobile tire, as shown and described.

(72) Inventor: **Atsushi Tanno**, Hiratsuka (JP)

(73) Assignee: **THE YOKOHAMA RUBBER CO., LTD.**, Tokyo (JP)

**DESCRIPTION**

(\*\*) Term: **15 Years**

The patent or application file contains at least one drawing executed in color. Copies of this patent or patent application with color drawings(s) will be provided by the Office upon request and payment of the necessary fee.

(21) Appl. No.: **29/665,778**

FIG. 1 is a perspective view of an automobile tire showing my design in a first state;

(22) Filed: **Oct. 5, 2018**

FIG. 2 is a right side view thereof;

(51) **LOC (13) Cl.** ..... **12-15**

FIG. 3 is a front view thereof;

(52) **U.S. Cl.**  
USPC ..... **D12/604**

FIG. 4 is a partially enlarged view of a portion defined by lines A-A shown in FIG. 3;

(58) **Field of Classification Search**  
USPC ..... **D12/500-532, 604**

FIG. 5 is a cross sectional view of a portion defined by lines B-B shown in FIG. 4;

(Continued)

FIG. 6 is a perspective view of the automobile tire of FIG. 1-5 shown in a second state;

(56) **References Cited**

FIG. 7 is a right side view thereof;

**U.S. PATENT DOCUMENTS**

FIG. 8 is a partially enlarged view of a portion defined by lines A-A shown in FIG. 3 but depicted in its second state;

D584,213 S \* 1/2009 Shinkai ..... D12/519  
D609,627 S \* 2/2010 Frappart ..... D12/523

FIG. 9 is a perspective view of the automobile tire of FIGS. 1-8 showing the design in a first color presentation in a first state wherein the claimed region is a black color;

(Continued)

**FOREIGN PATENT DOCUMENTS**

JP H07-037713 U 7/1995  
JP D1512251 S 11/2014

FIG. 10 is a right side view thereof;

(Continued)

FIG. 11 is a perspective view of the automobile tire of FIGS. 9-10 shown in a second state wherein the claimed region includes white and black color portions;

**OTHER PUBLICATIONS**

Article "Are Colored Tires the Next Big Thing?" [Oct. 30, 2018] found online [Mar. 4, 2020]—<https://blog.tirebuyer.com/are-colored-tires-the-next-big-thing/>.\*

FIG. 12 is a right side view thereof;

(Continued)

FIG. 13 is a perspective view of the automobile tire of FIGS. 1-8 showing the design in a second color presentation in a first state wherein the claimed region includes black-red and black color portions;

*Primary Examiner* — John A Voytek

FIG. 14 is right side view thereof;

(74) *Attorney, Agent, or Firm* — Banner & Witcoff, Ltd.

FIG. 15 is a perspective view of the automobile tire of FIGS. 13-14 shown in the second state wherein the claimed region includes red and black color portions;

(Continued)

FIG. 16 is a right side thereof;

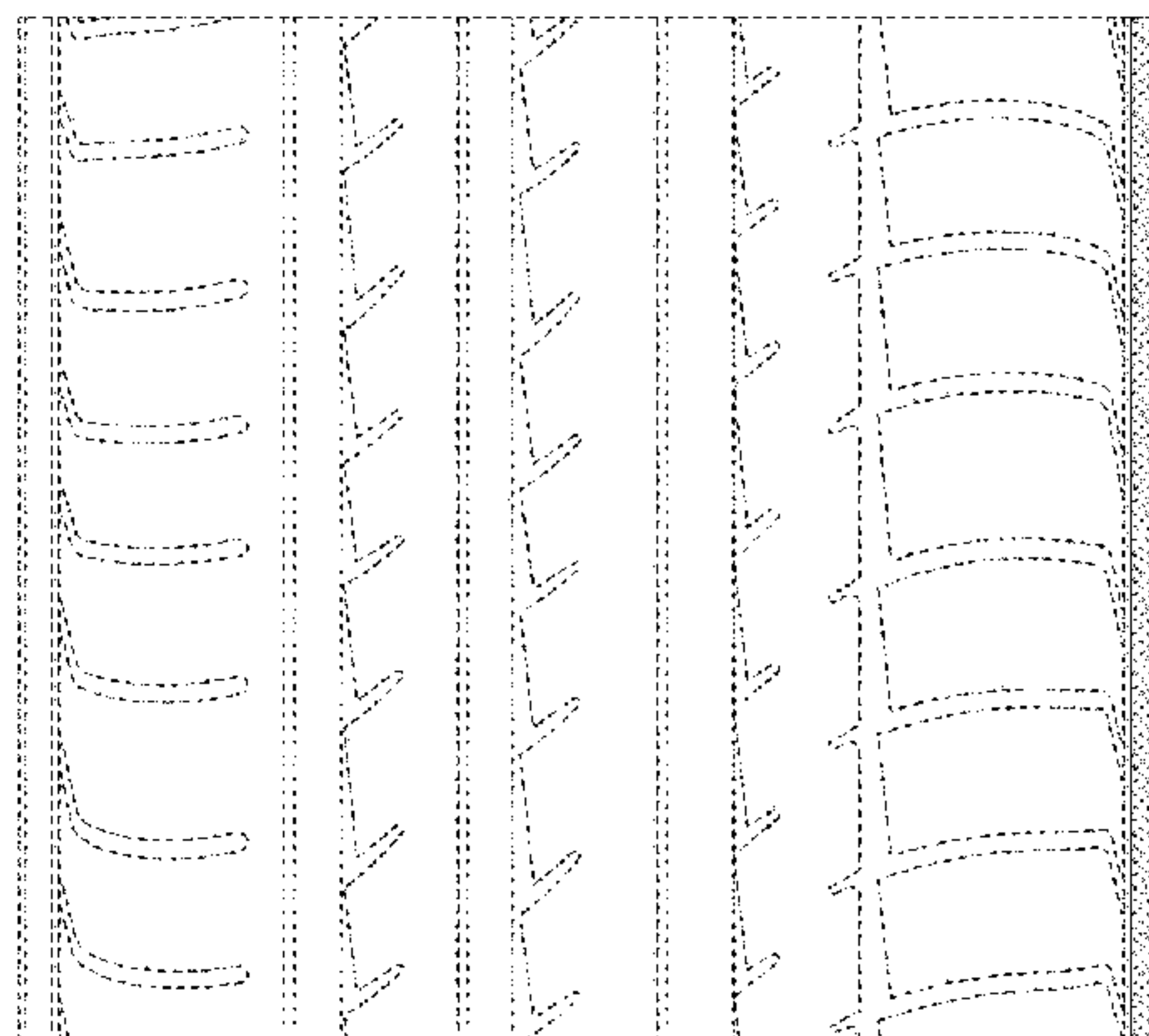
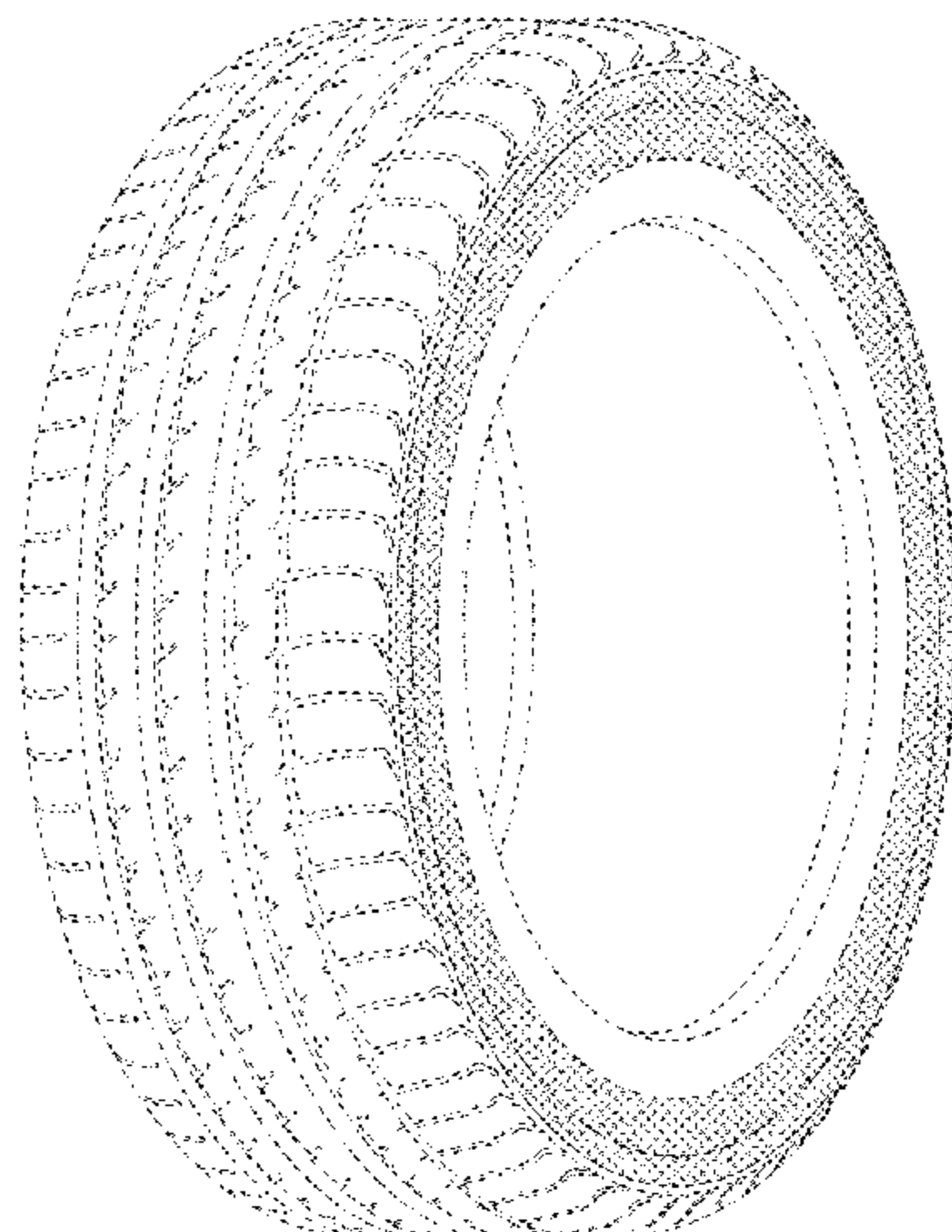


FIG. 17 is a perspective view of the automobile tire of FIGS. 1-8 showing the design in a third color presentation in a first state wherein the claimed region includes black-yellow and black color portions;  
 FIG. 18 is a right side view thereof;  
 FIG. 19 is a perspective view of the automobile tire of FIGS. 17-18 shown in the second state wherein the claimed region includes yellow and black color portions; and,  
 FIG. 20 is a right side view thereof.  
 In the drawings, the broken lines depict environmental subject matter only and form no part of the claimed design. In FIGS. 1-5 and FIGS. 6-8 the contrast in shading shown by a difference in stippling density reflects a contrast of appearance. In the figures, the first state represents the automobile tire in a daylight condition and the second state represents the automobile tire in a night condition when externally illuminated. The process in which the color transitions from the first state to the second state forms no part of the claimed design.

**1 Claim, 20 Drawing Sheets  
 (12 of 20 Drawing Sheet(s) Filed in Color)**

(58) **Field of Classification Search**

CPC ..... Y10T 152/10027; B60C 1/0016; B60C 11/0306; B60C 11/0302; B60C 3/06; B60C 9/17

See application file for complete search history.

(56) **References Cited**

U.S. PATENT DOCUMENTS

D648,668 S \* 11/2011 Kujime ..... D12/519  
 D720,282 S \* 12/2014 Kim ..... D12/521

D744,406 S \* 12/2015 Bosch Alsina ..... D12/521  
 D753,049 S \* 4/2016 Koishikawa ..... D12/523  
 D772,787 S \* 11/2016 Morito ..... D12/523  
 D773,977 S \* 12/2016 Dixon ..... D12/521  
 D777,644 S \* 1/2017 Niwa ..... D12/604  
 D789,278 S \* 6/2017 Shondel ..... D12/519  
 D789,280 S \* 6/2017 Sanae ..... D12/527  
 D798,224 S \* 9/2017 Zhang ..... D12/209  
 D800,048 S \* 10/2017 Yoon ..... D12/521  
 D800,049 S \* 10/2017 Abinal ..... D12/521  
 D811,312 S \* 2/2018 Yaegashi ..... D12/523  
 D818,425 S \* 5/2018 Mita ..... D12/591  
 D819,547 S \* 6/2018 Behr ..... D12/518  
 D872,684 S \* 1/2020 Kawagoe ..... D12/521  
 2015/0316449 A1 11/2015 Ferlin  
 2017/0308749 A1 10/2017 Tanno

FOREIGN PATENT DOCUMENTS

JP 2016-500609 A 1/2016  
 JP 2016-094039 A 5/2016

OTHER PUBLICATIONS

BF Goodrich Scorcher TA Tire reference [Mar. 4, 2020] found online [Mar. 4, 2020]—<https://www.tireshop.com/tires/make/bfgoodrich/scorcher-t-a/>.\*

May 8, 2018—(JP) Notification of Reasons for Refusal—App 2018-000074—Eng Tran.

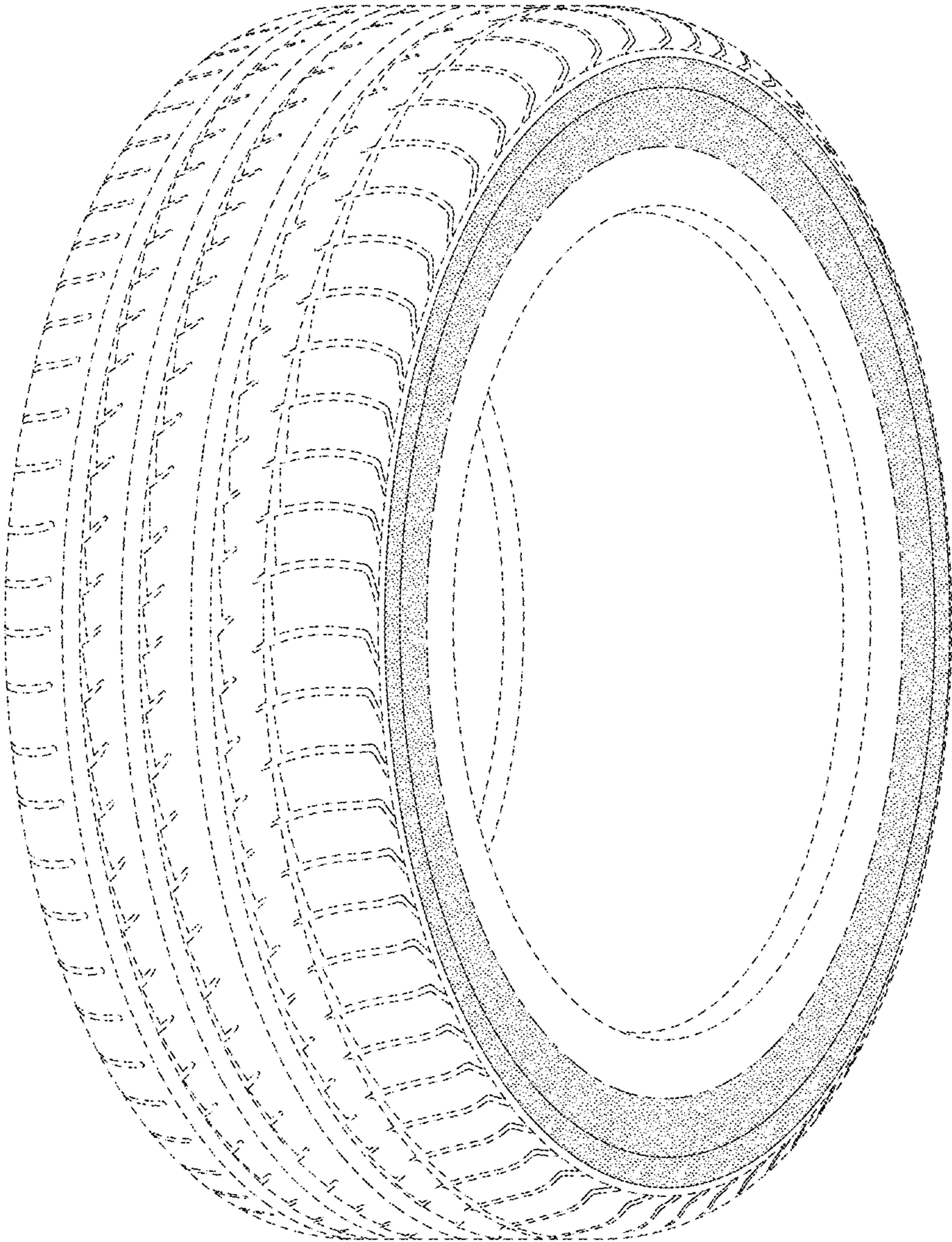
Nov. 13, 2018—(JP) Notification of Reasons for Refusal—App 2018-000074—Eng Tran.

U.S. Appl. No. 29/665,776, filed Oct. 5, 2018.

\* cited by examiner



**FIG. 1**



**FIG. 2**

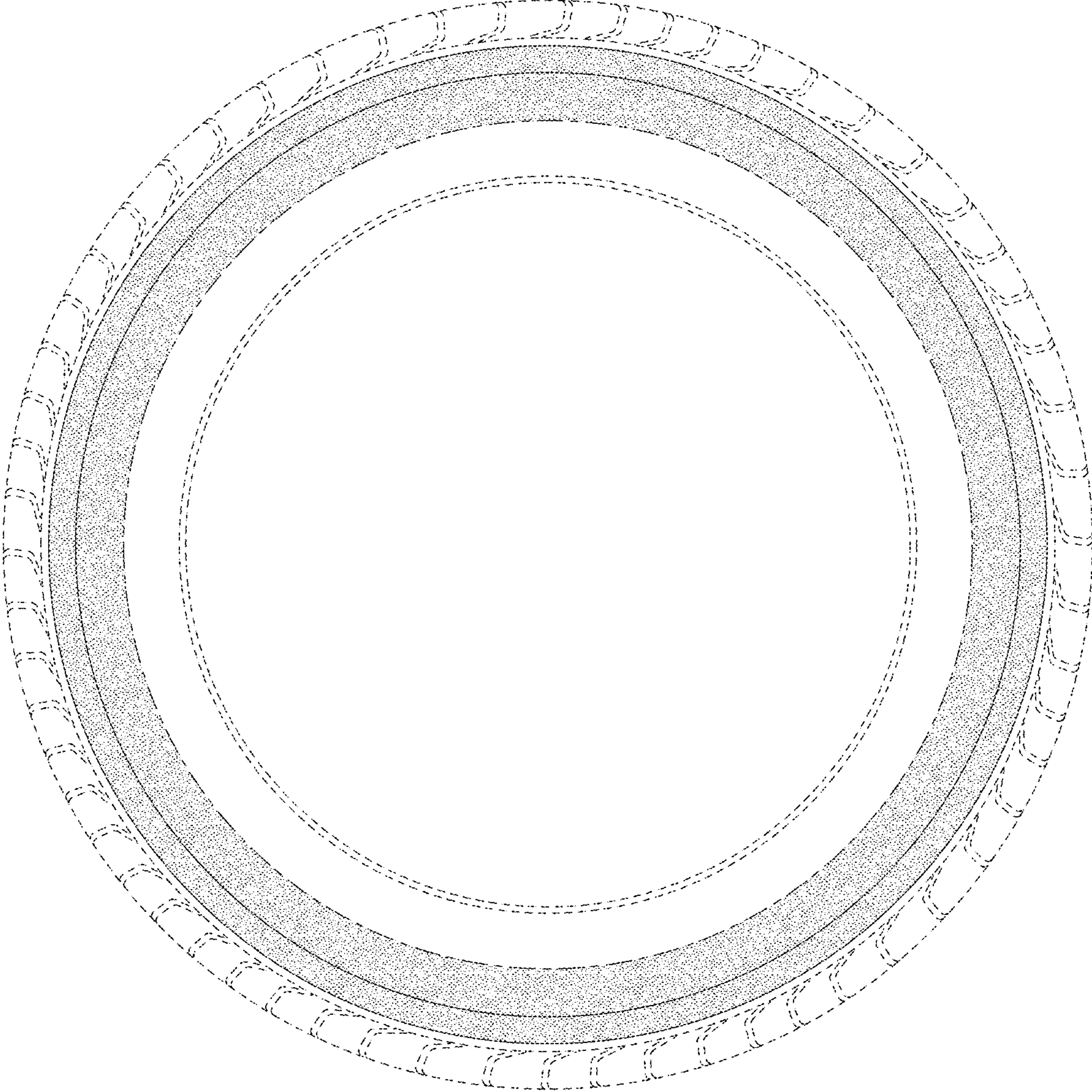




FIG. 3

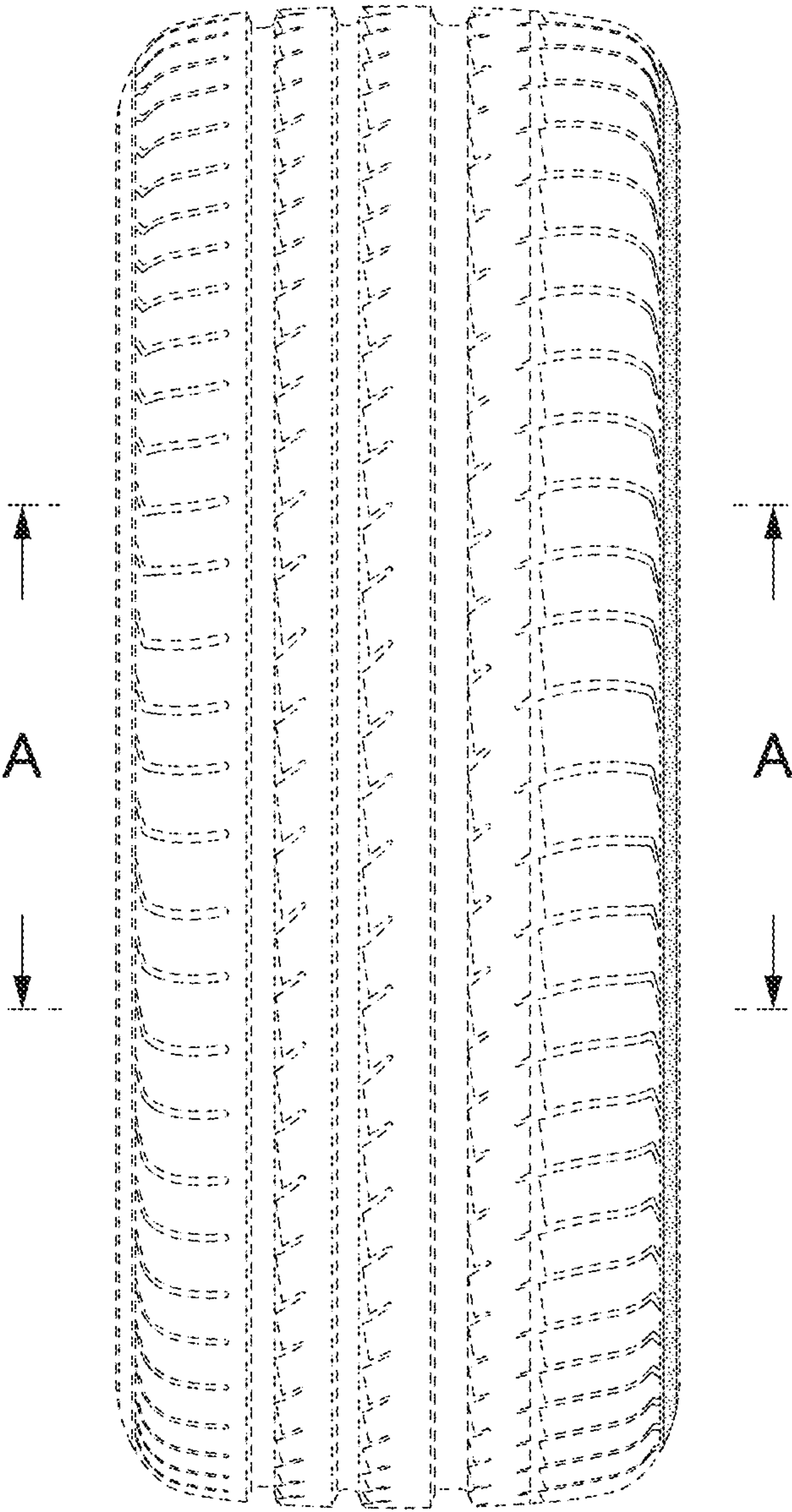
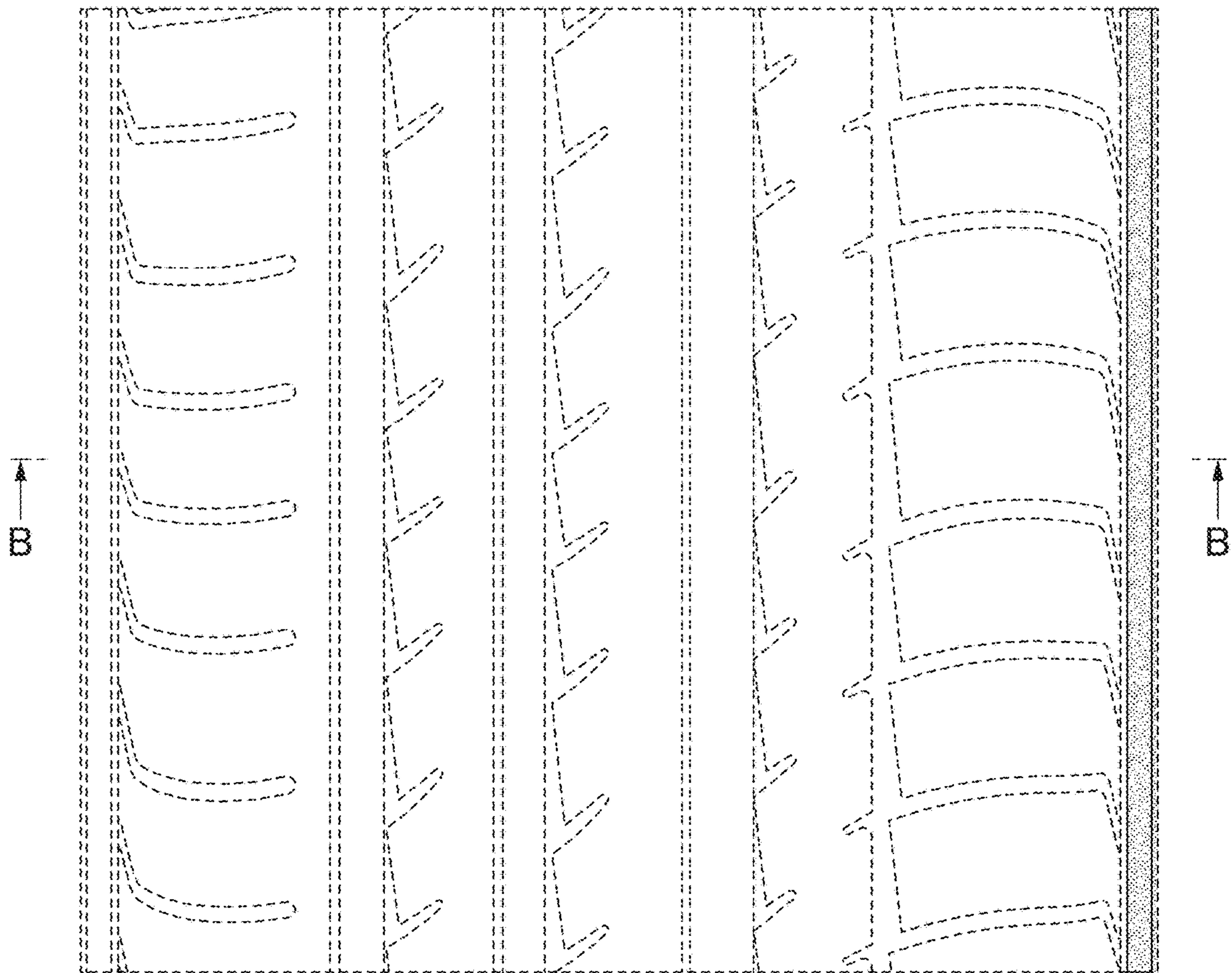
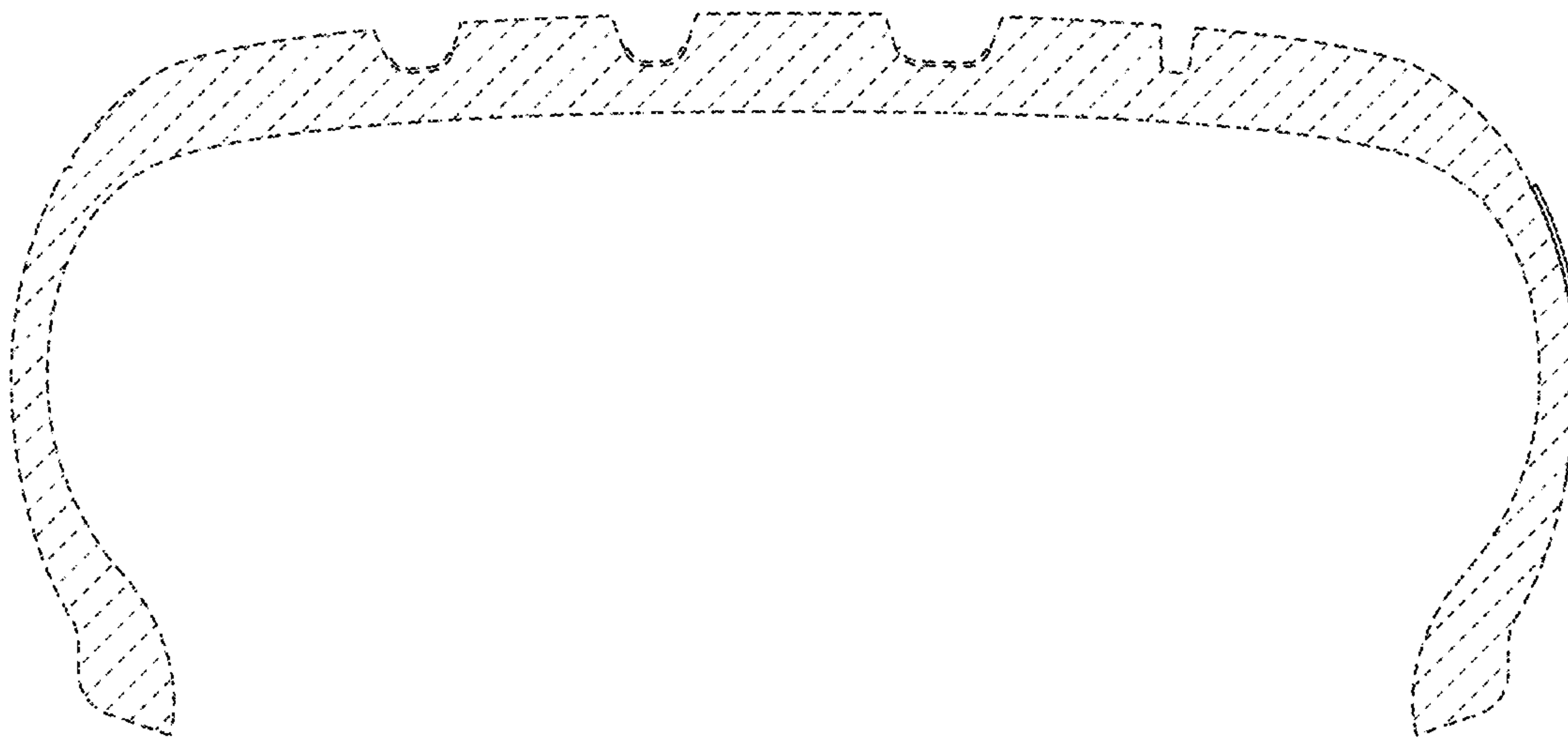


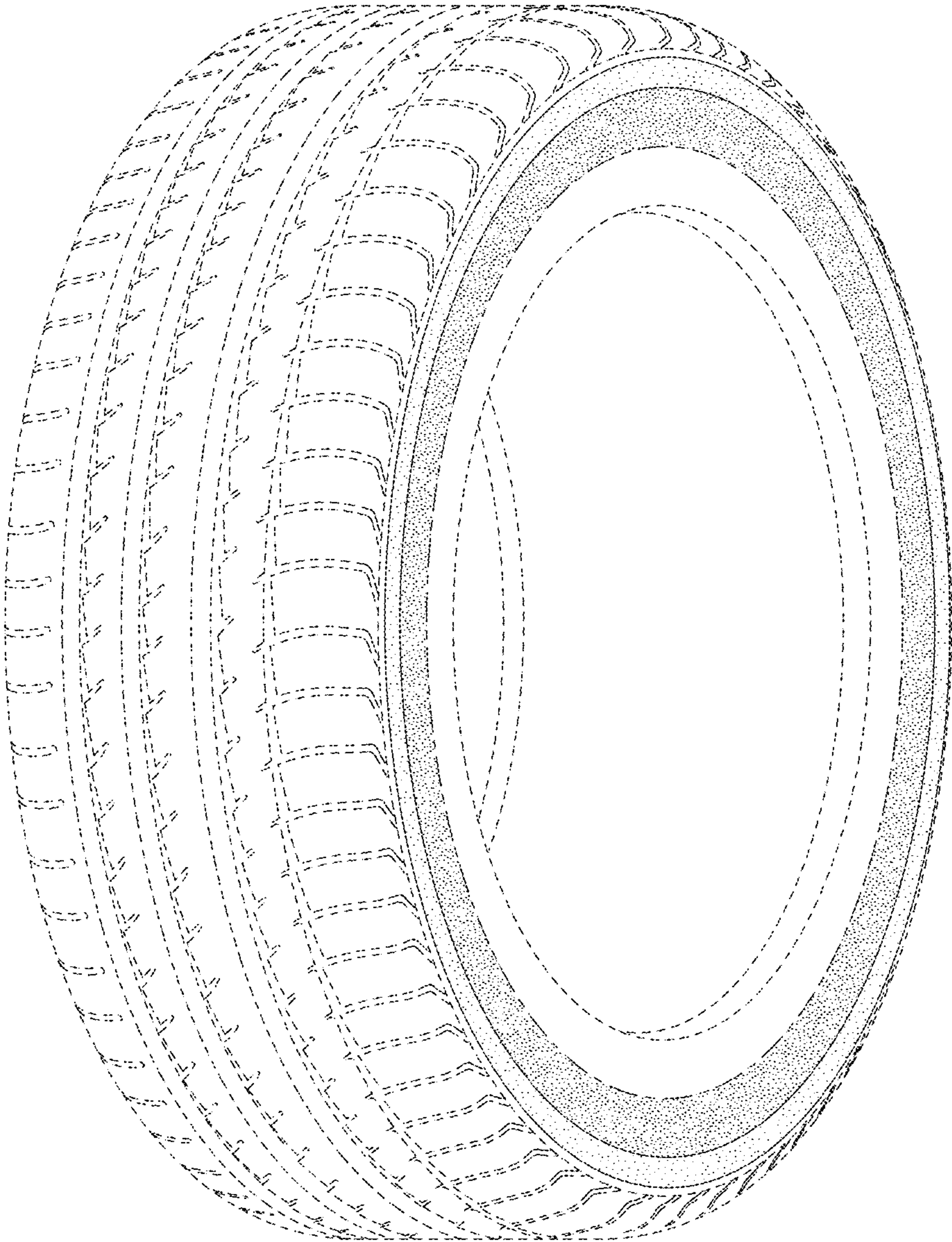
FIG. 4



**FIG. 5**

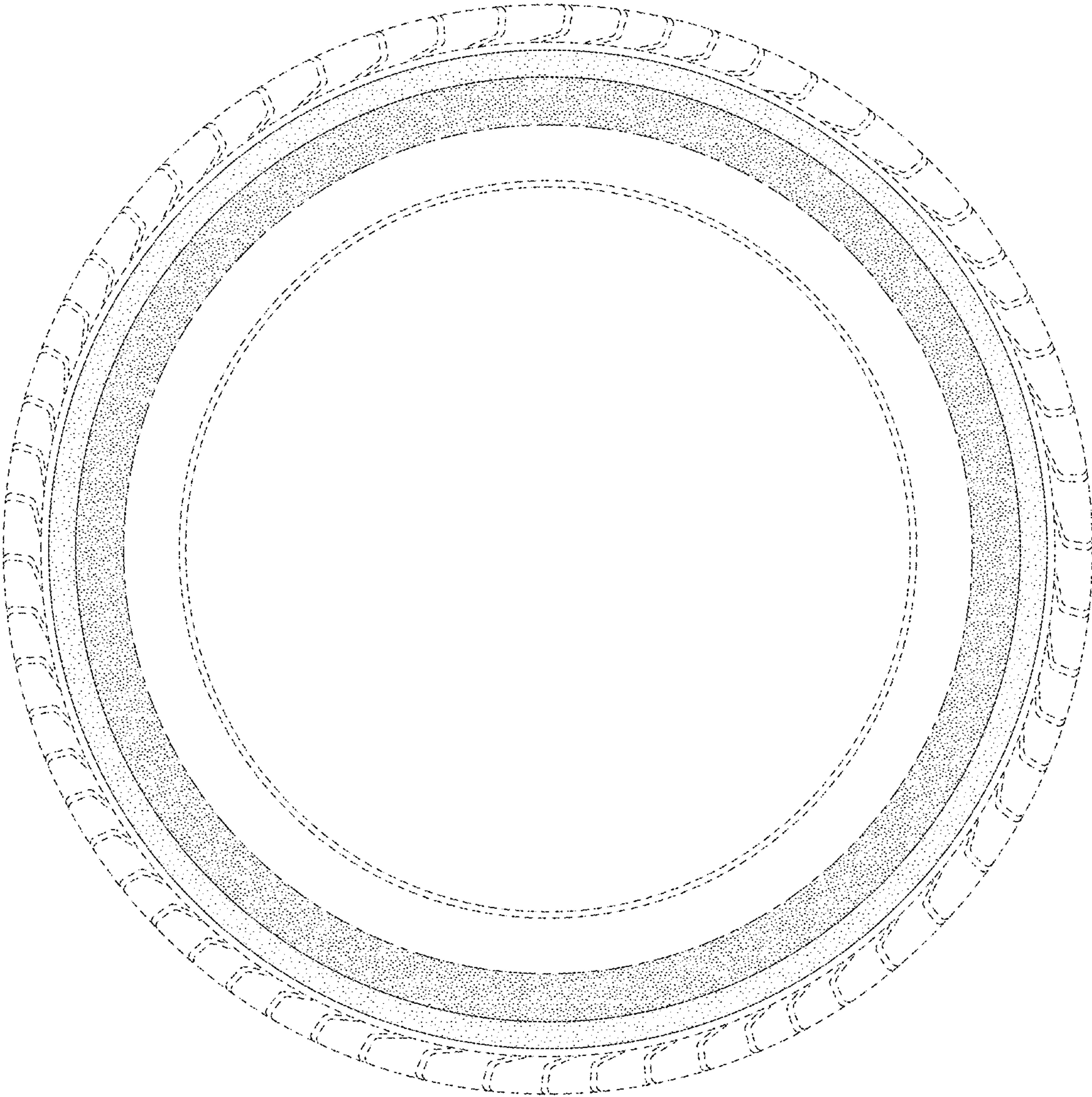


**FIG. 6**

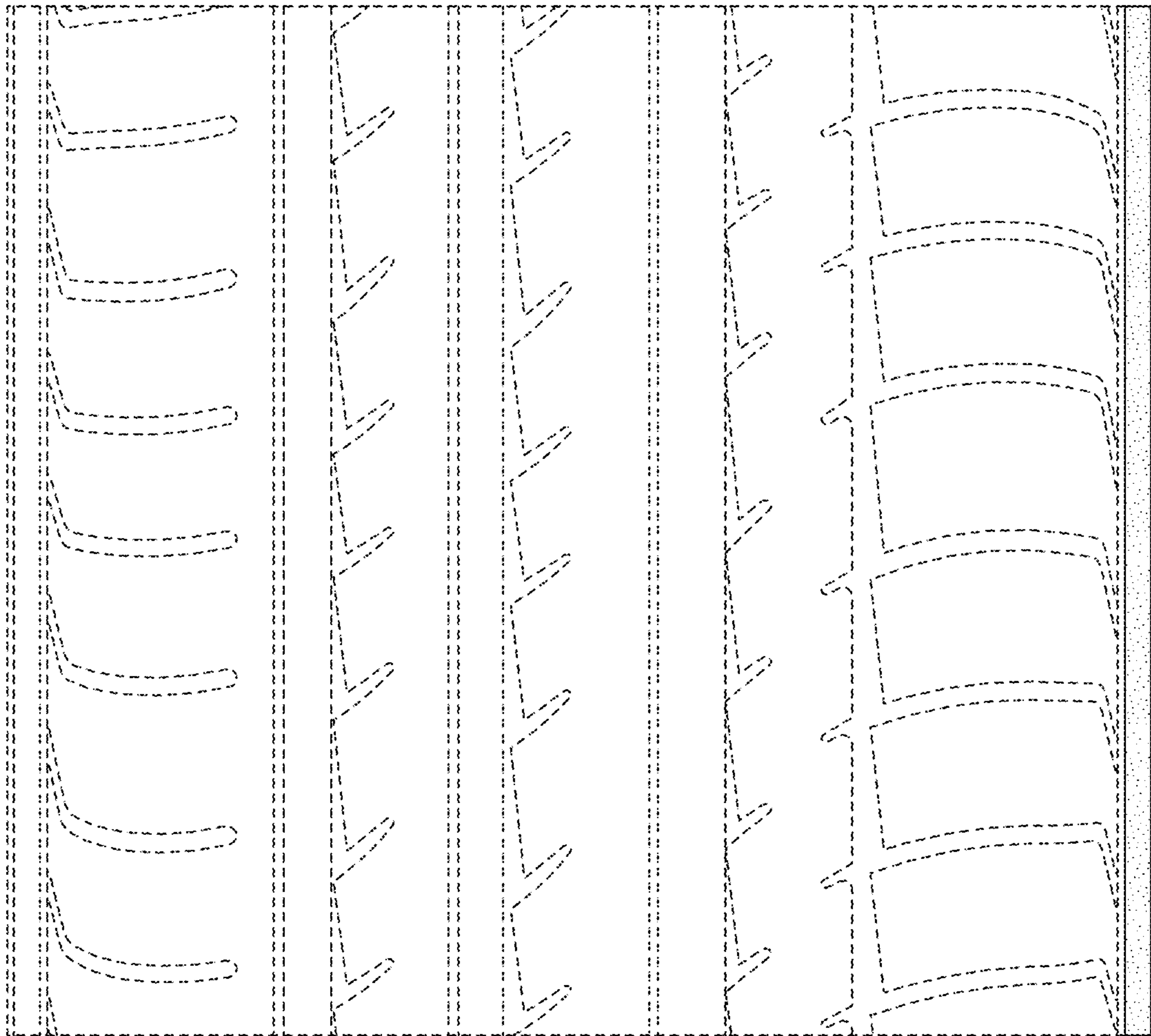




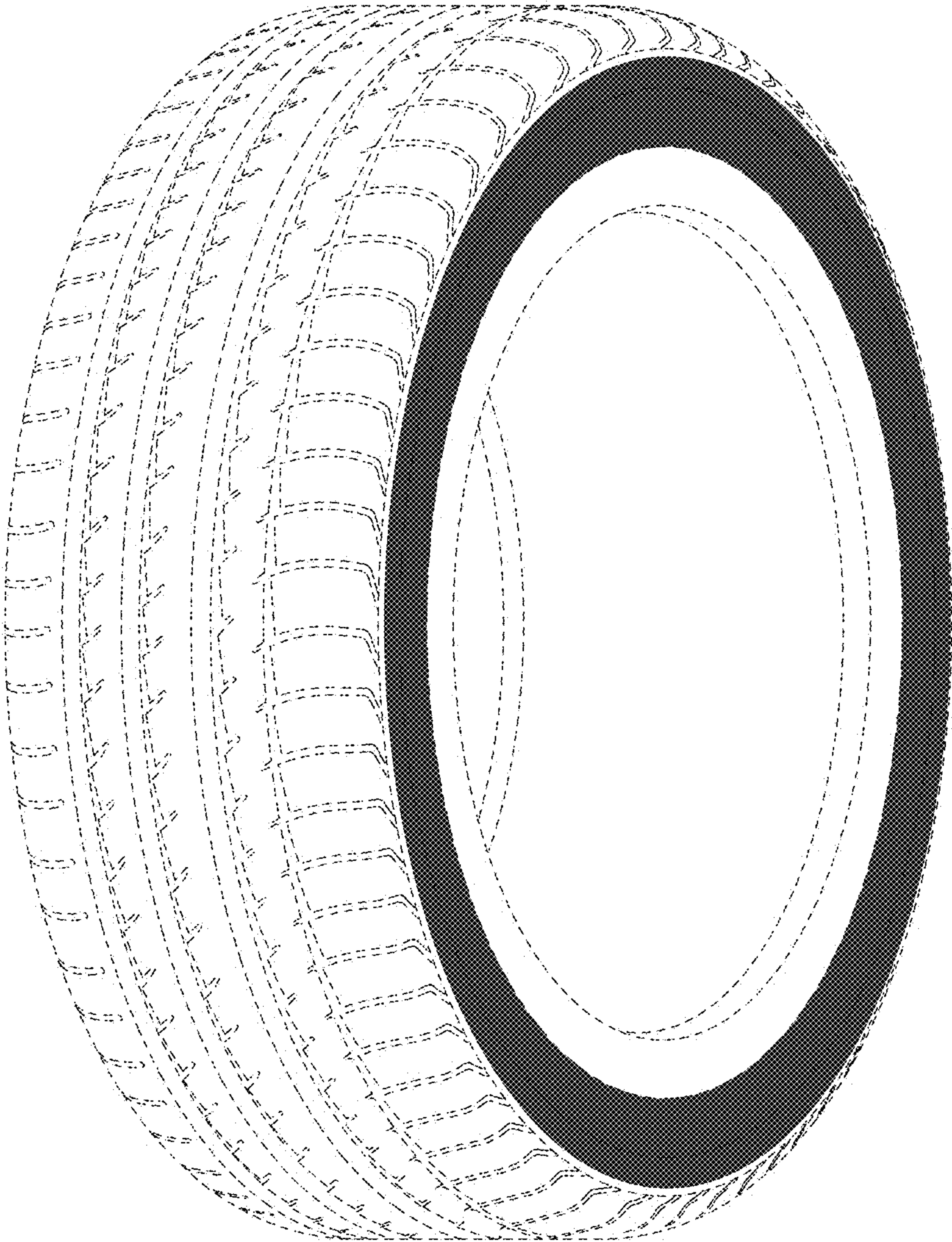
**FIG. 7**



**FIG. 8**

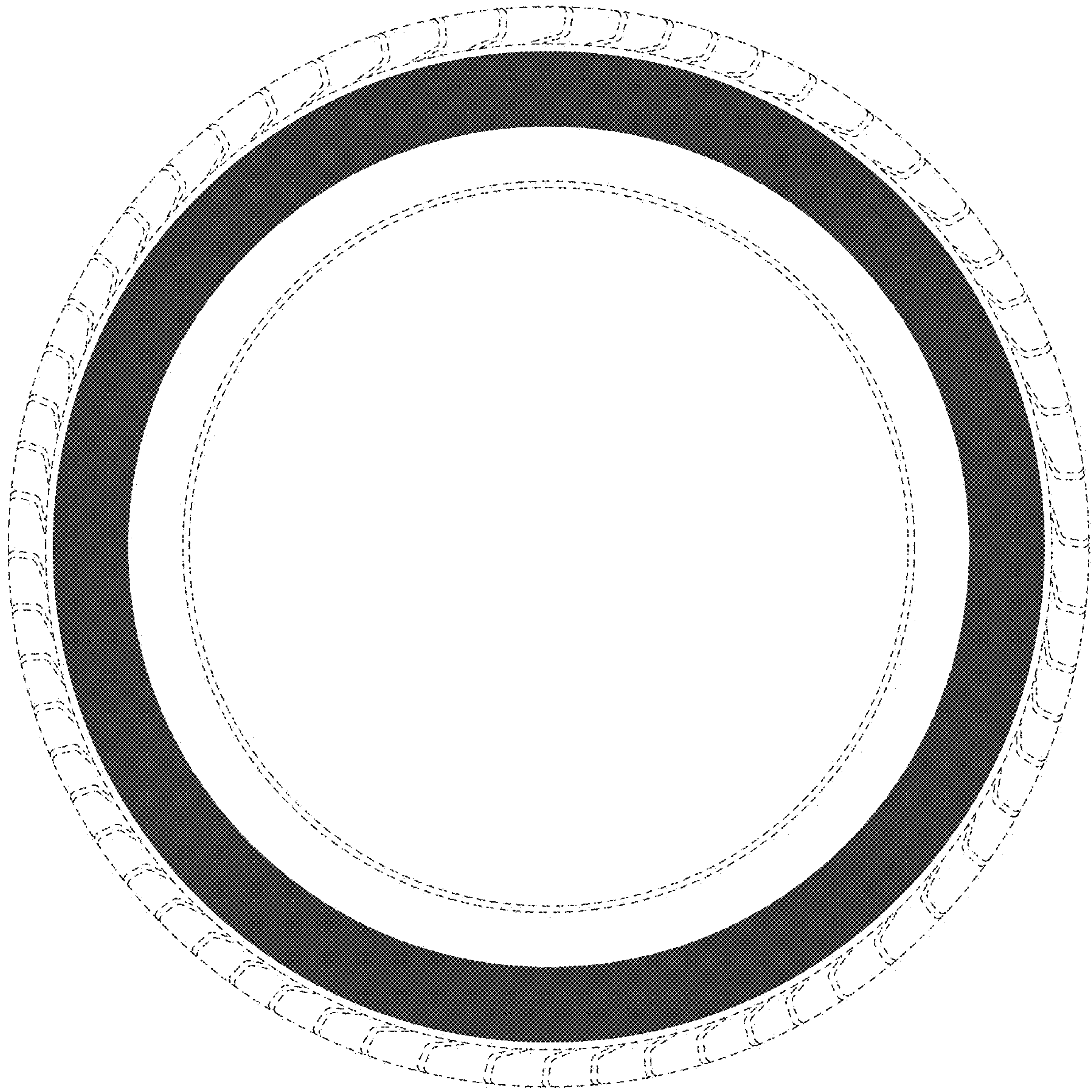


**FIG. 9**

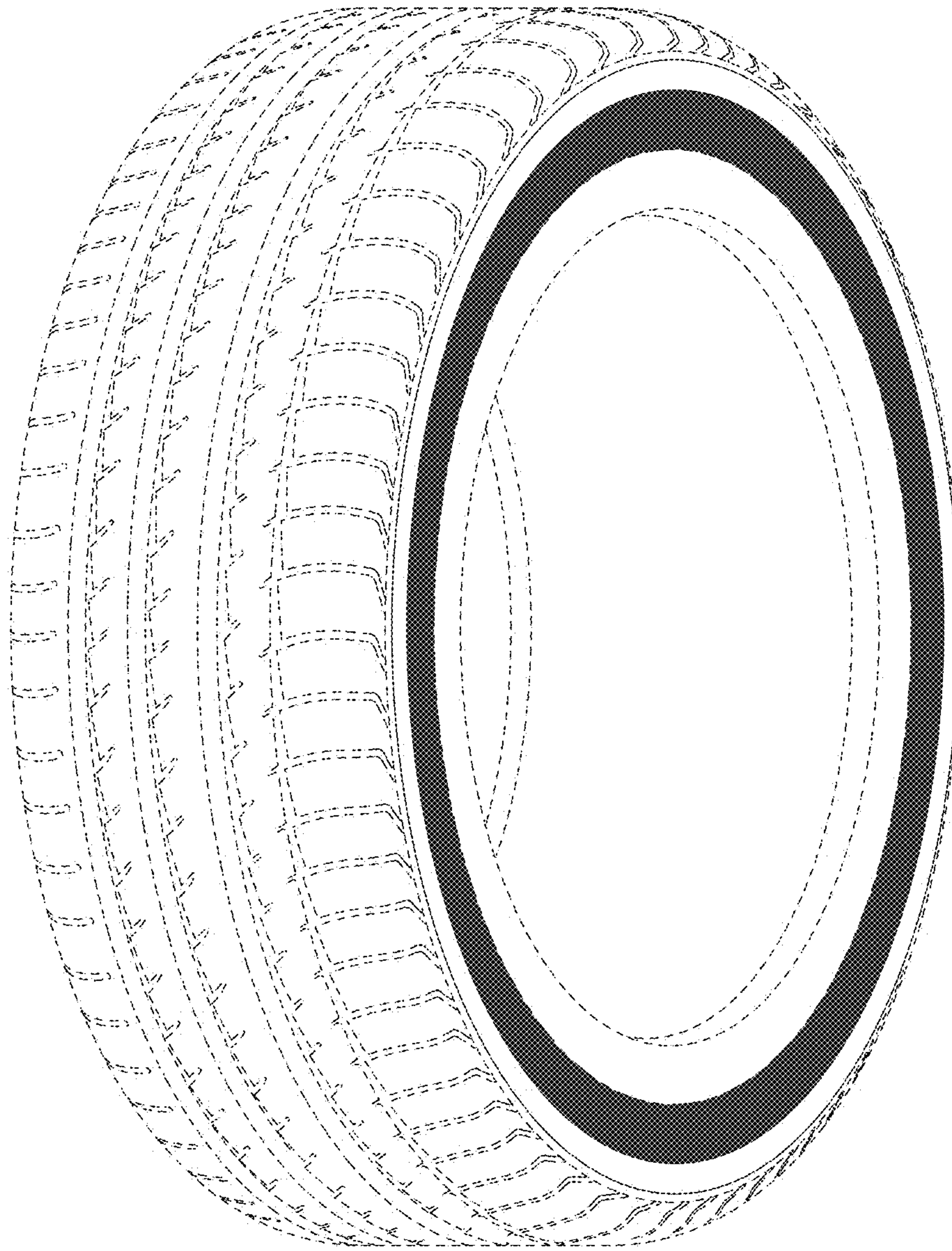




**FIG. 10**

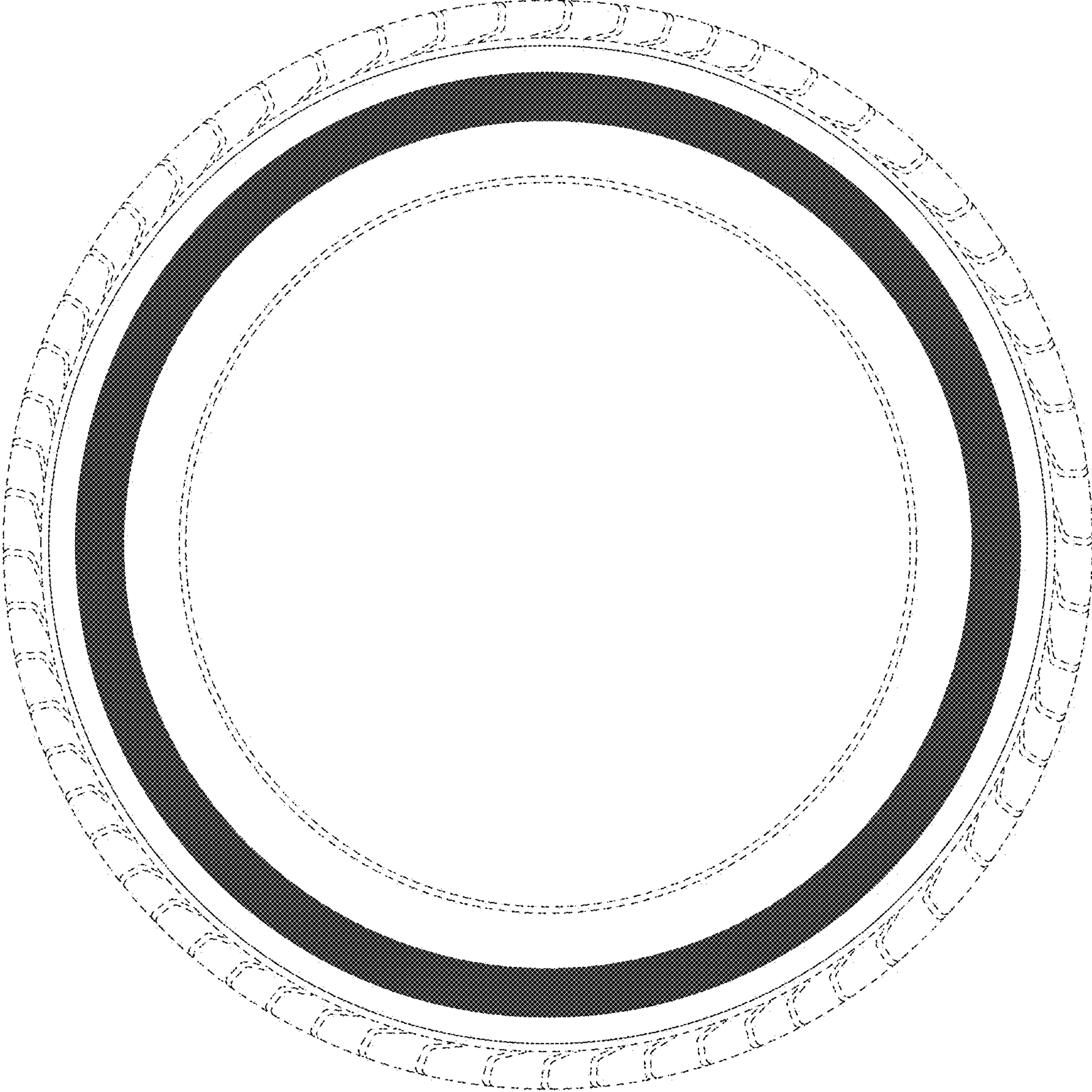


**FIG. 11**



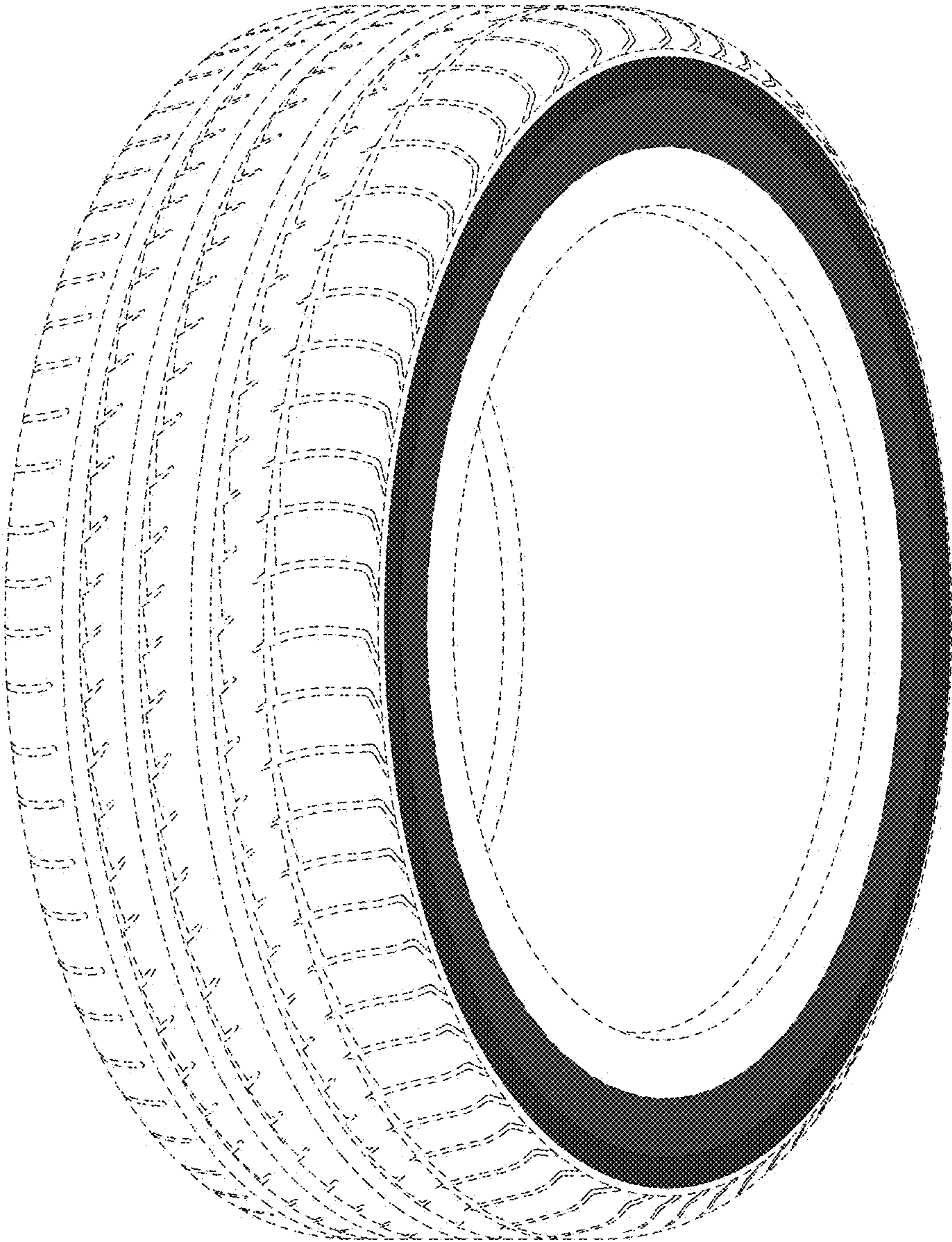


**FIG. 12**

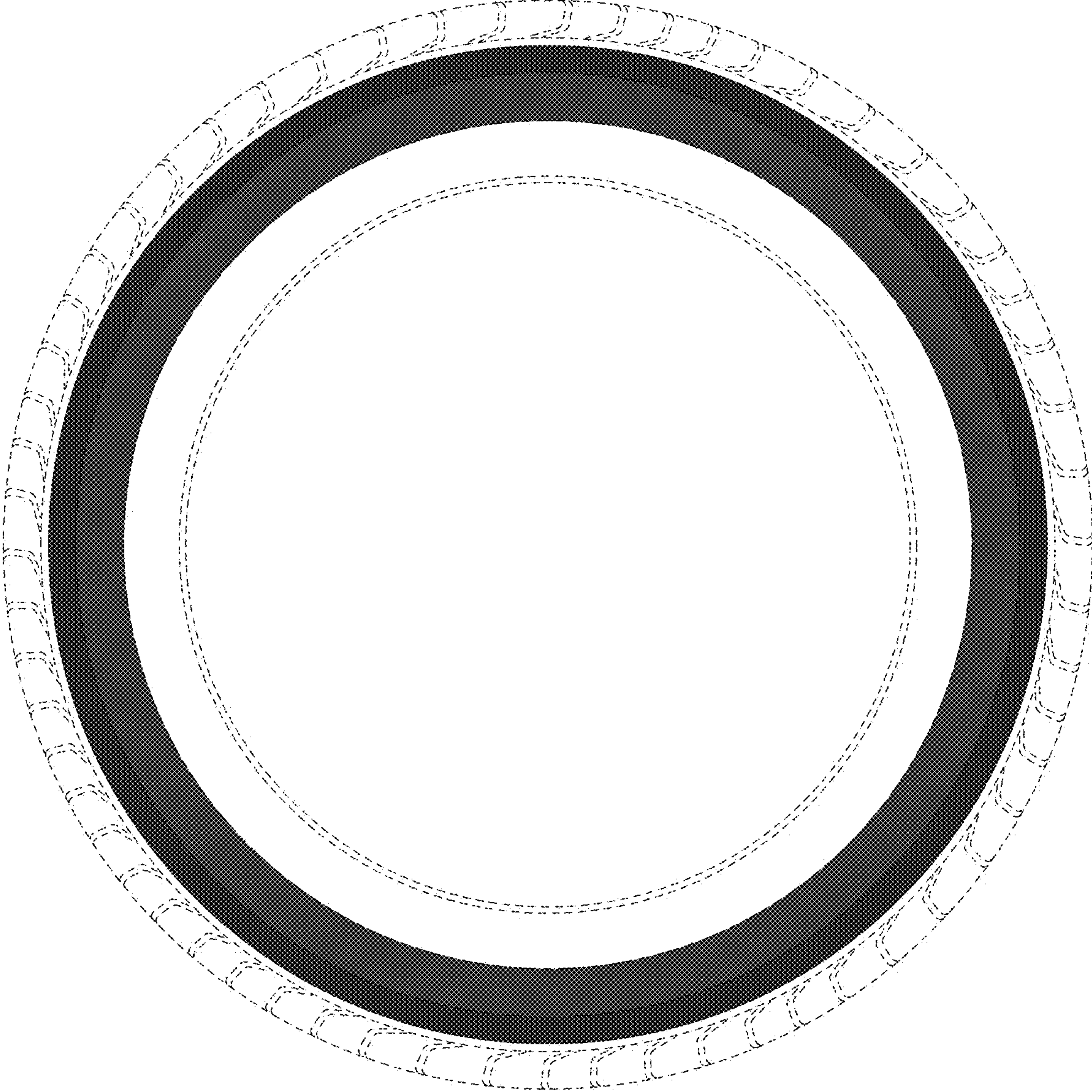




**FIG. 13**

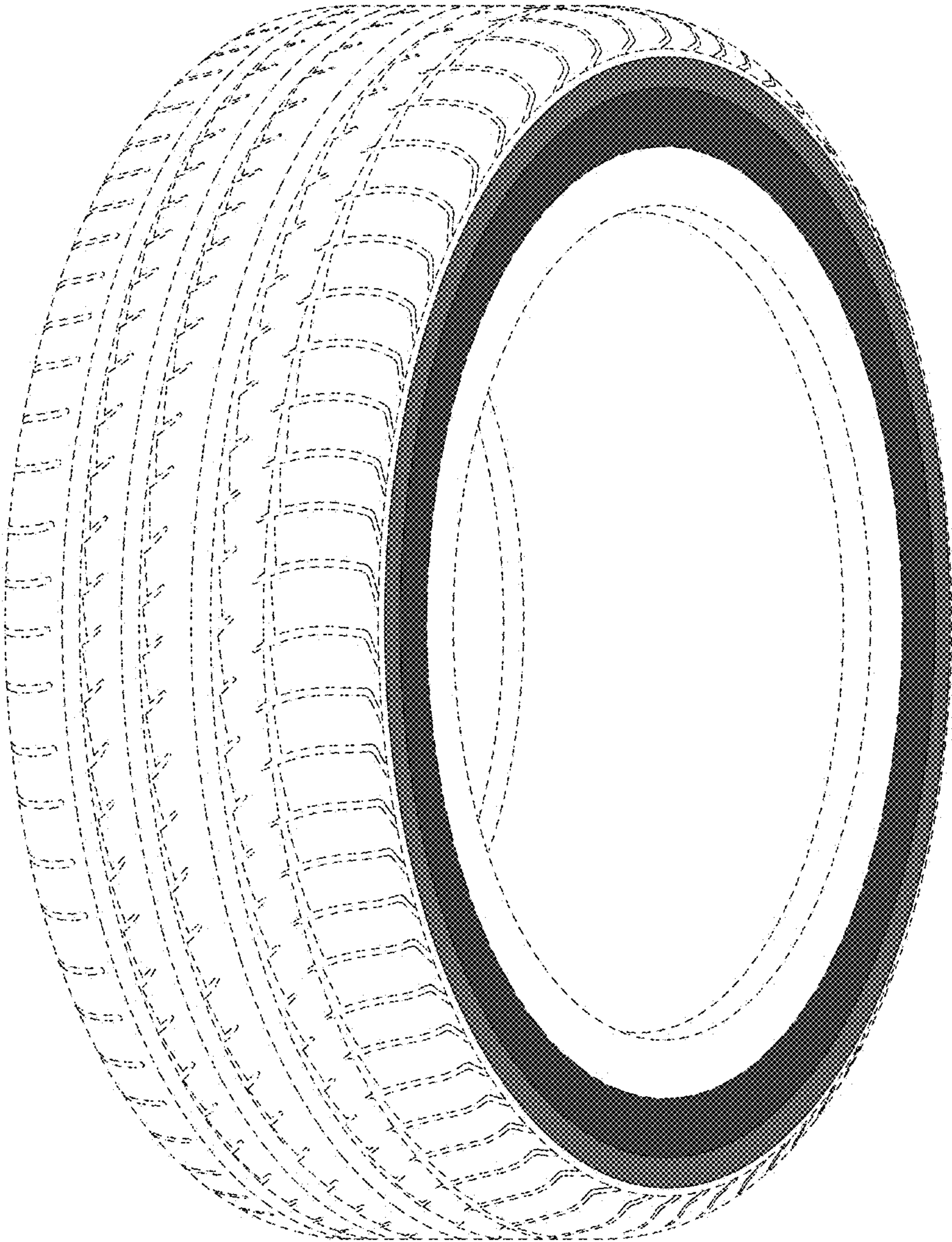


**FIG. 14**



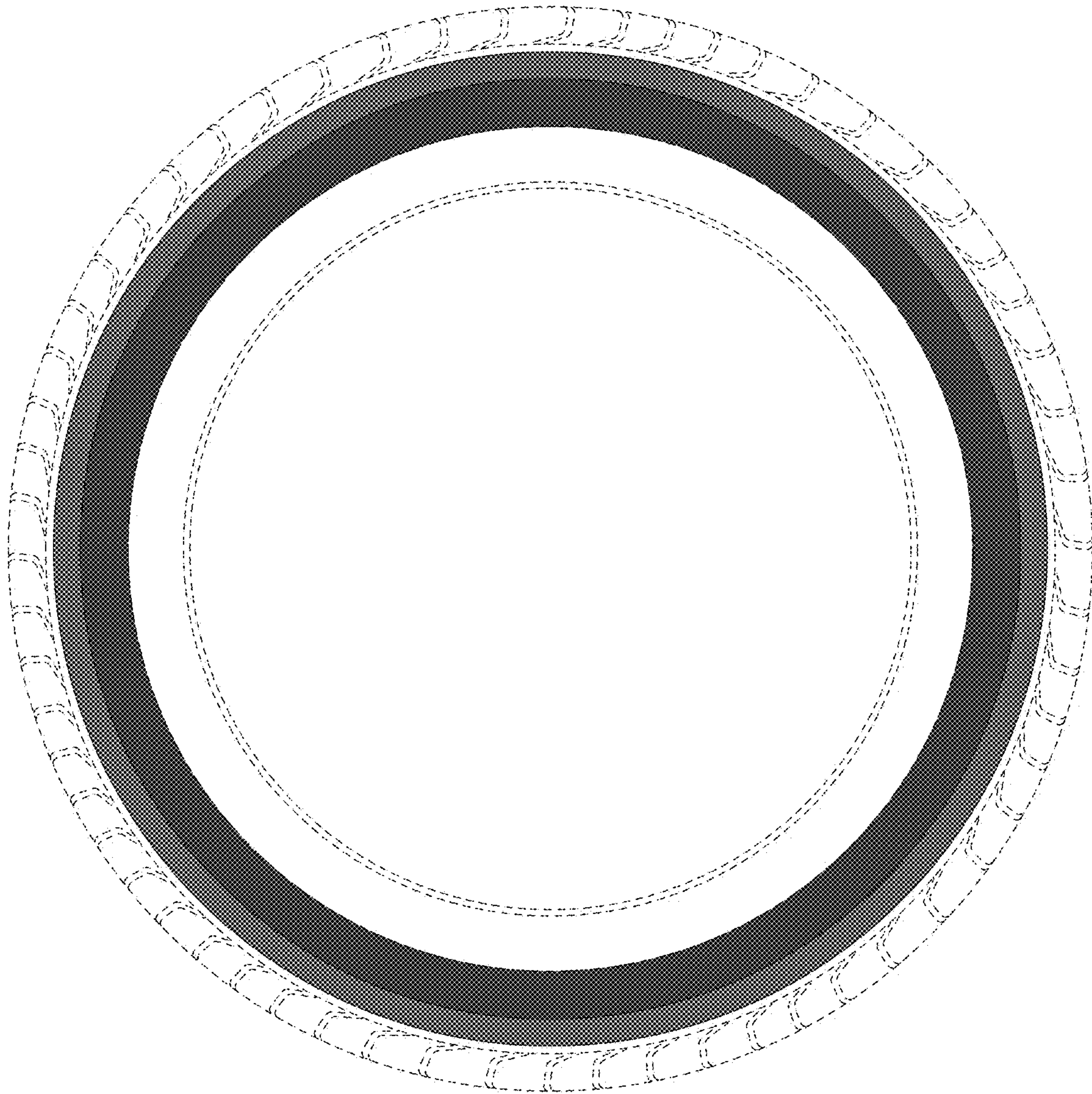


**FIG. 15**

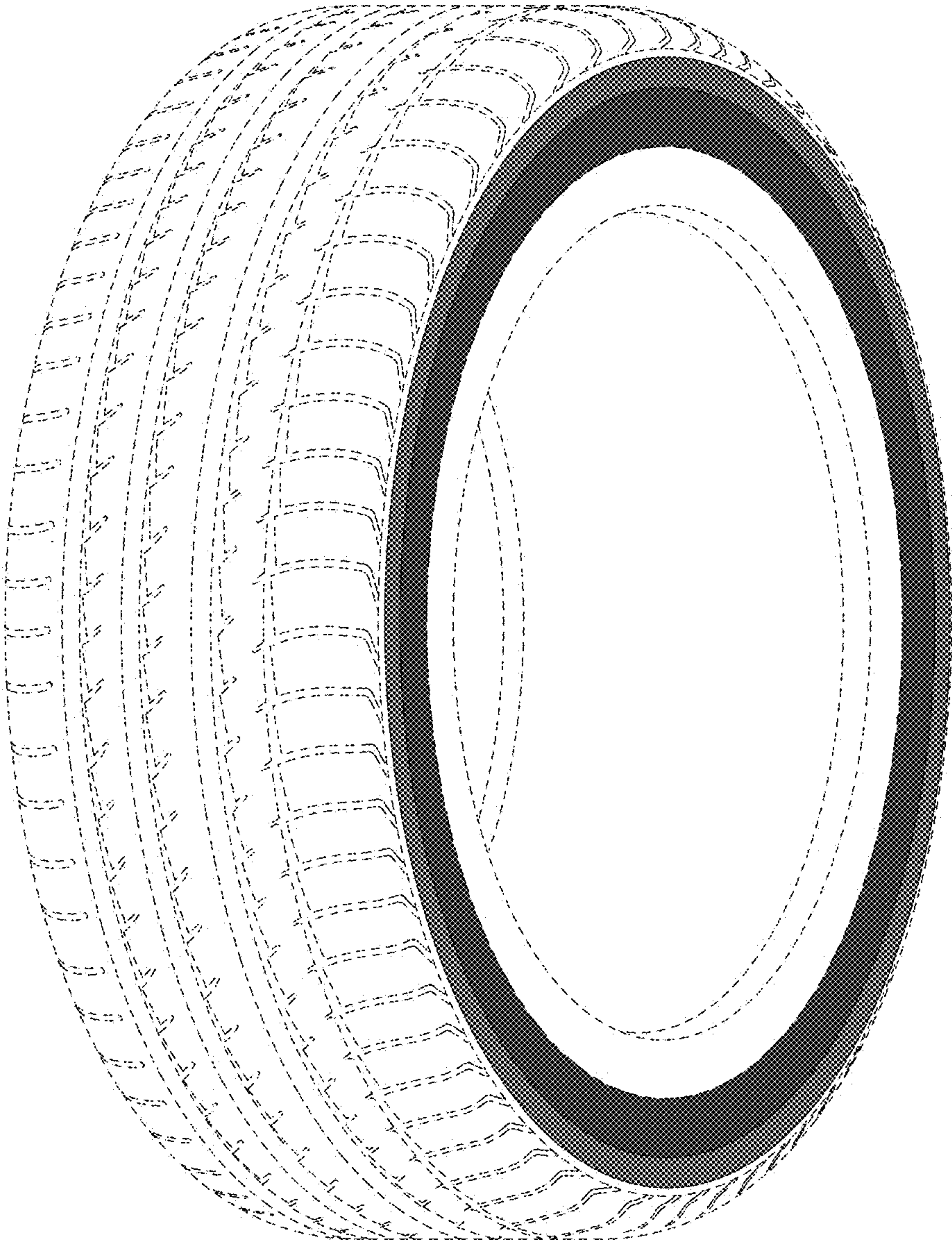




**FIG. 16**

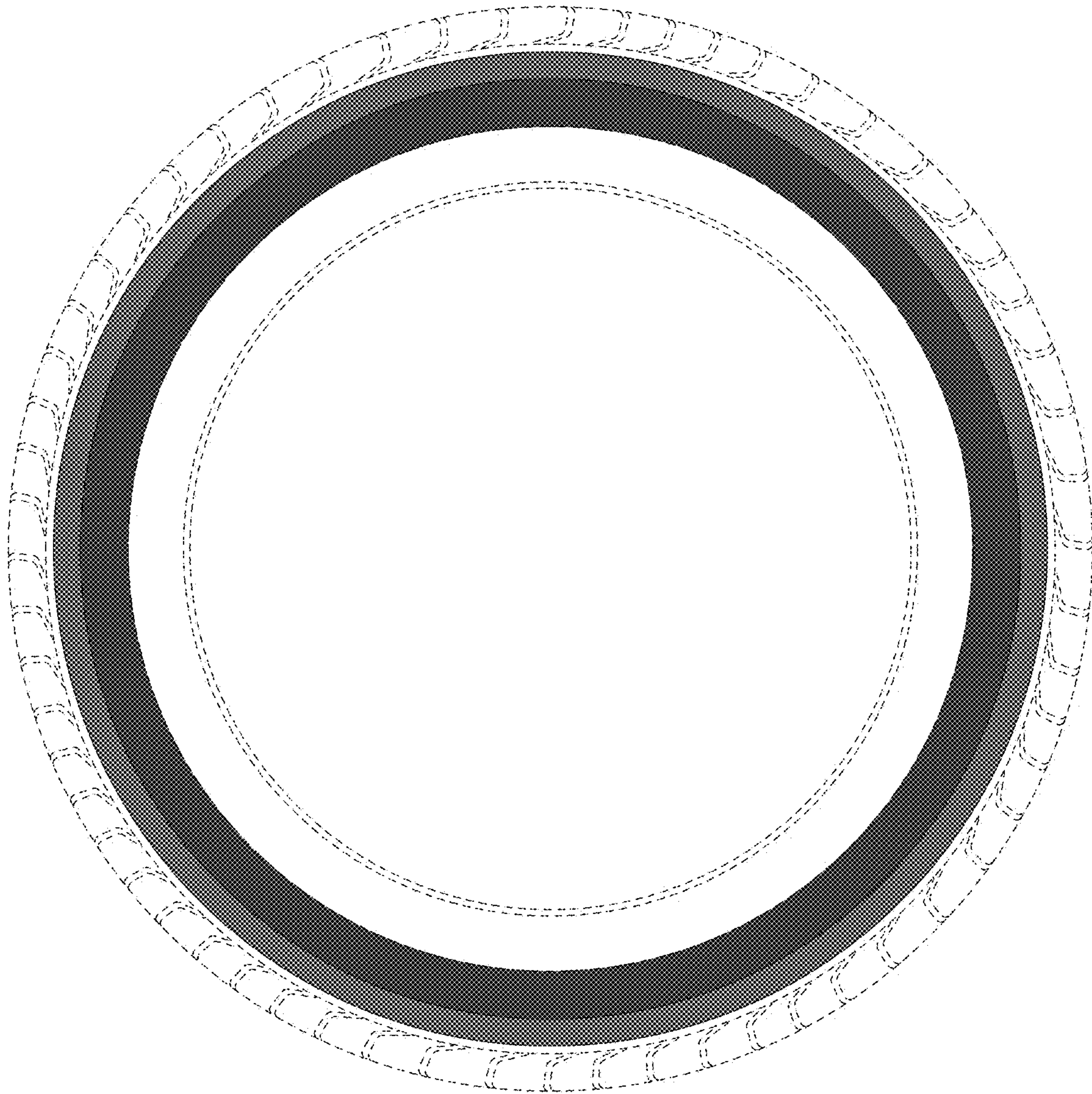


**FIG. 17**



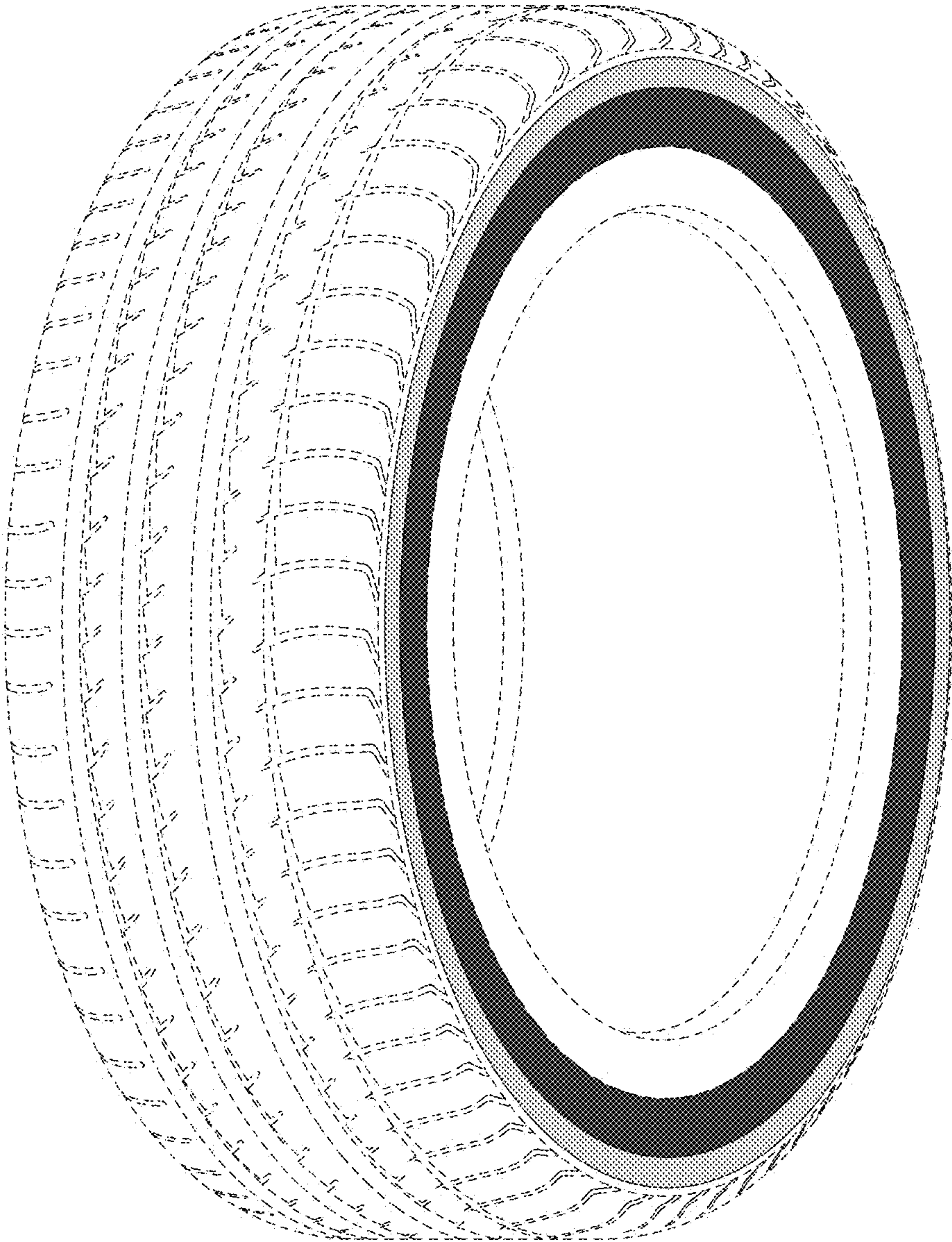


**FIG. 18**





**FIG. 19**



**FIG. 20**

