



US00D926671S

(12) **United States Design Patent**  
**Hutz et al.**

(10) **Patent No.:** **US D926,671 S**

(45) **Date of Patent:** **\*\* \*Aug. 3, 2021**

(54) **TIRE**

(71) Applicant: **Compagnie Generale des Etablissements Michelin**, Clermont-Ferrand (FR)

(72) Inventors: **John Hutz**, Greer, SC (US); **Ellen MacDonald Williams**, Greenville, SC (US); **Parker Baxter**, Greenville, SC (US)

(73) Assignee: **Compagnie Generale des Etablissements Michelin**, Clermont-Ferrand (FR)

(\*) Notice: This patent is subject to a terminal disclaimer.

(\*\*) Term: **15 Years**

(21) Appl. No.: **29/598,365**

(22) Filed: **Mar. 24, 2017**

(51) **LOC (13) Cl.** ..... **12-15**

(52) **U.S. Cl.**  
USPC ..... **D12/601**

(58) **Field of Classification Search**  
USPC ..... D12/568-604  
CPC ..... Y10T 152/10027; B60C 1/0016; B60C 11/0306; B60C 11/0302; B60C 3/06; B60C 9/17  
See application file for complete search history.

(56) **References Cited**

**U.S. PATENT DOCUMENTS**

D403,627 S *	1/1999	Graas	.....	D12/594
D449,024 S *	10/2001	Lovell	.....	D12/595
D614,120 S *	4/2010	Marella	.....	D12/594
D639,235 S *	6/2011	Reim	.....	D12/600
D649,109 S *	11/2011	Harris	.....	D12/601
D649,110 S *	11/2011	Hutz	.....	D12/601

D777,654 S *	1/2017	Lundgren	.....	D12/600
D781,781 S *	3/2017	Schimmoeller, Jr.	.....	D12/594
D792,839 S *	7/2017	Maxwell	.....	D12/595
D795,172 S *	8/2017	Covey	.....	D12/588

(Continued)

*Primary Examiner* — John A Voytek

(74) *Attorney, Agent, or Firm* — John Steckler Schwab

(57) **CLAIM**

The ornamental design for a tire, as shown and described.

**DESCRIPTION**

FIG. 1 is a front right perspective view of a first embodiment of a tire showing our new design, the design repeated about the circumference of the tire, the dashed lines forming no part of the claimed design, the dash-dot boundary line delineating the area which forms no part of the claimed design;

FIG. 2 is a front elevation view thereof, the design repeated about the circumference of the tire, the dashed lines forming no part of the claimed design, the dash-dot boundary line delineating the area which forms no part of the claimed design;

FIG. 3 is a right elevation view thereof, the left elevation identical to the right elevation, the dashed lines forming no part of the claimed design, the dash-dot boundary line delineating the area which forms no part of the claimed design;

FIG. 4 is a partial sectional view taken along line 4-4 in FIG. 2, the dashed lines forming no part of the claimed design;

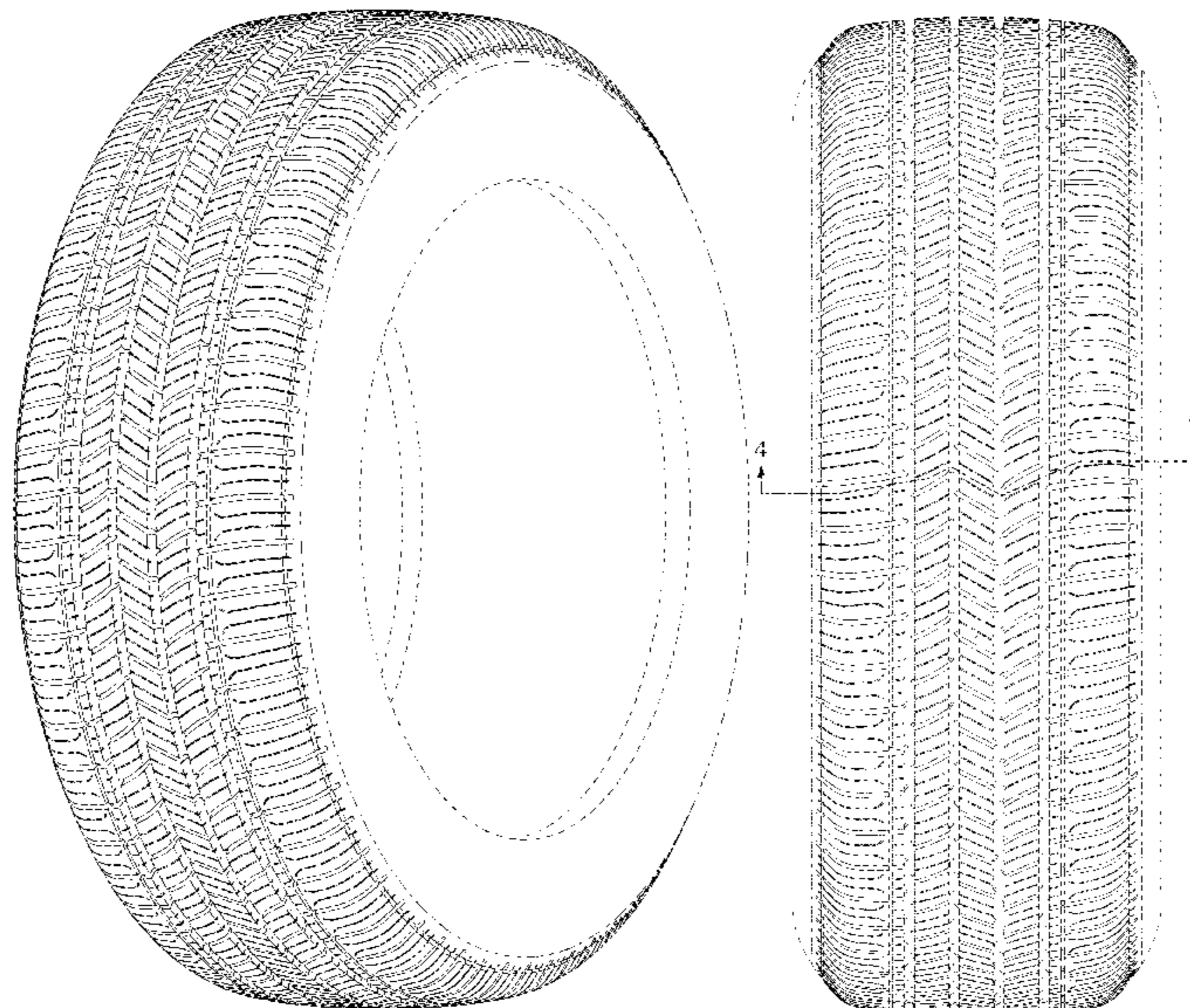
FIG. 5 is a front right perspective view of a second embodiment of a tire showing our new design, the design repeated about the circumference of the tire;

FIG. 6 is a front elevation view thereof, the design repeated about the circumference of the tire;

FIG. 7 is a right elevation view thereof, the left elevation identical to the right elevation; and,

FIG. 8 is a sectional view taken along line 8-8 in FIG. 6.

**1 Claim, 8 Drawing Sheets**



(56)

**References Cited**

U.S. PATENT DOCUMENTS

D812,550 S \* 3/2018 Digman ..... D12/588  
D812,551 S \* 3/2018 Stanley ..... D12/601

\* cited by examiner



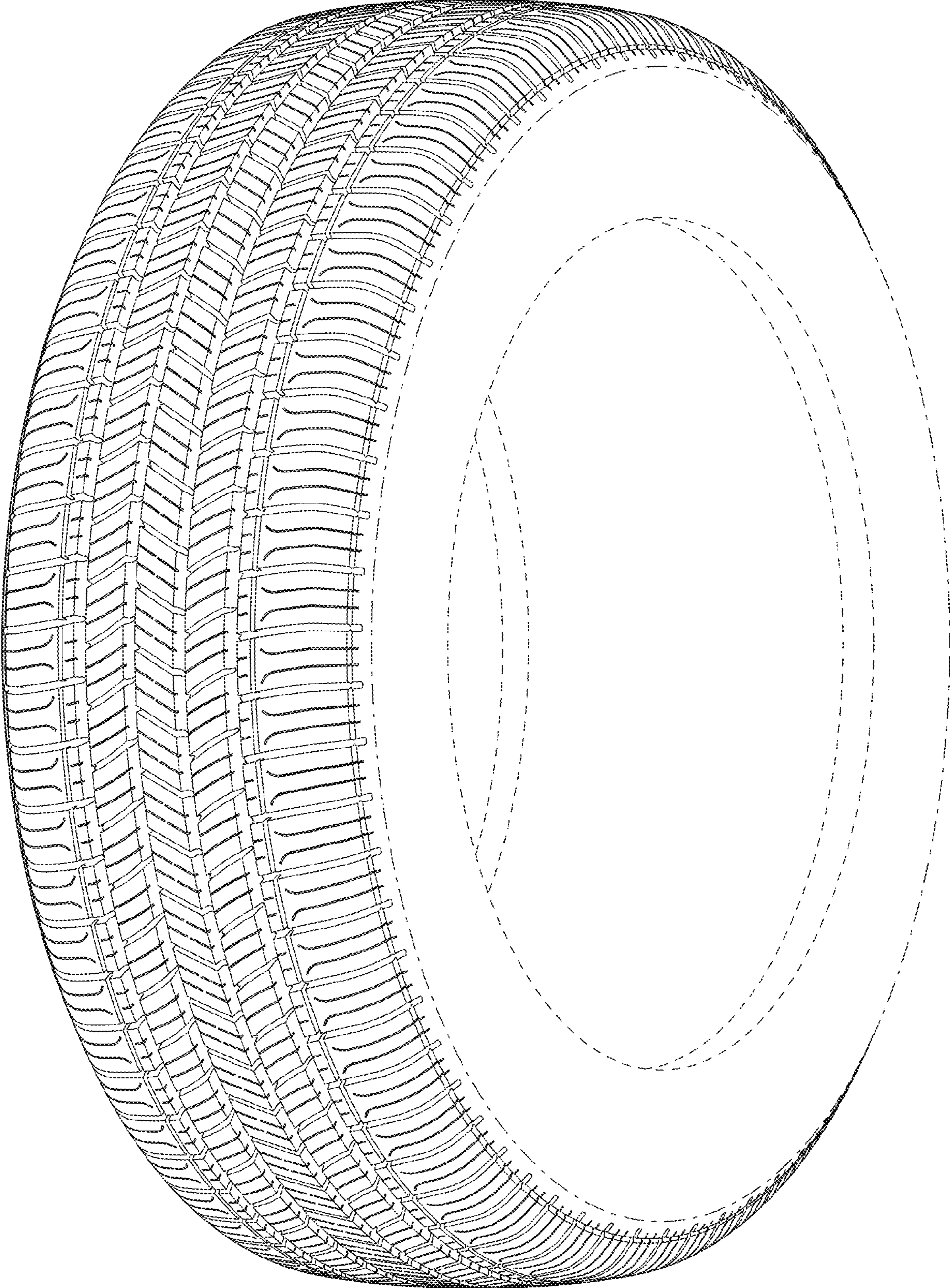


Fig. 1



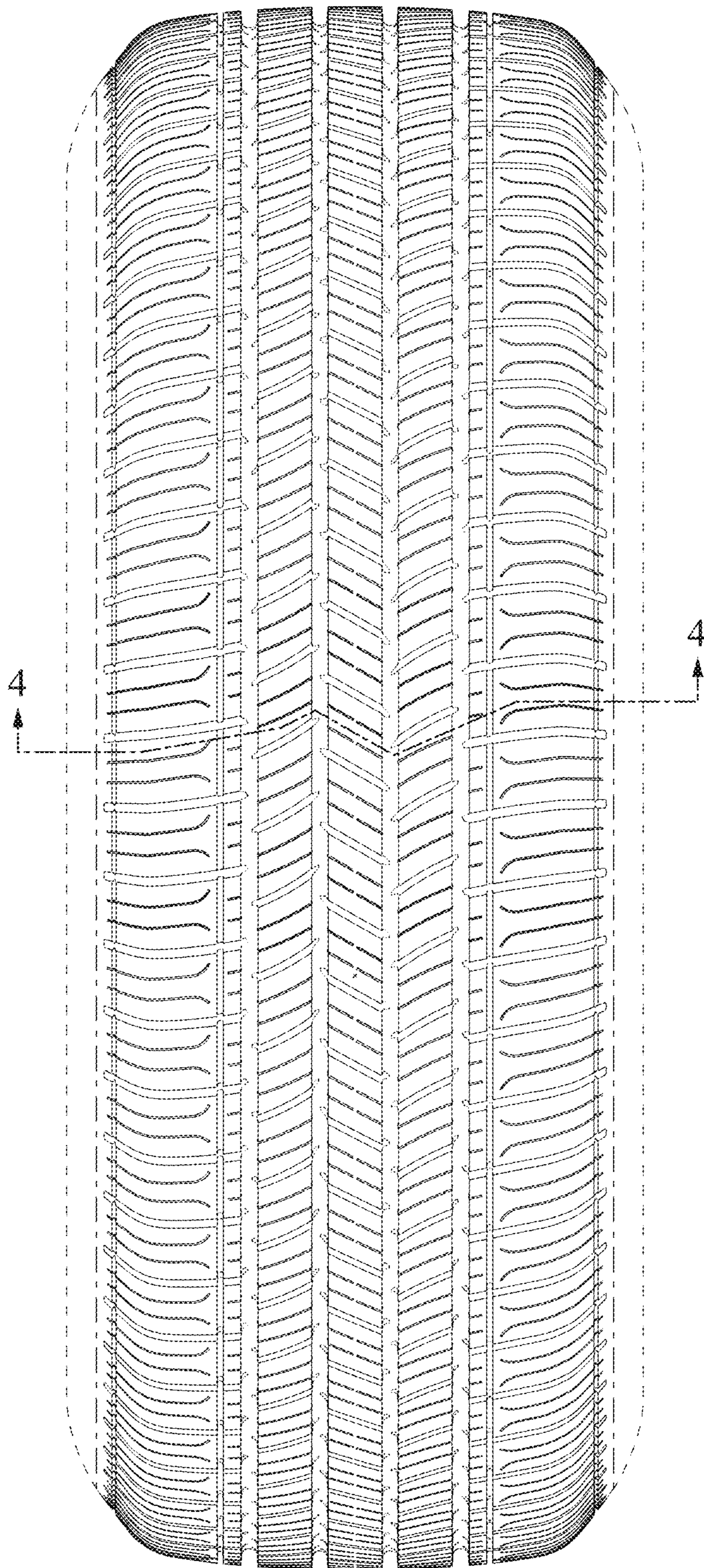


Fig. 2

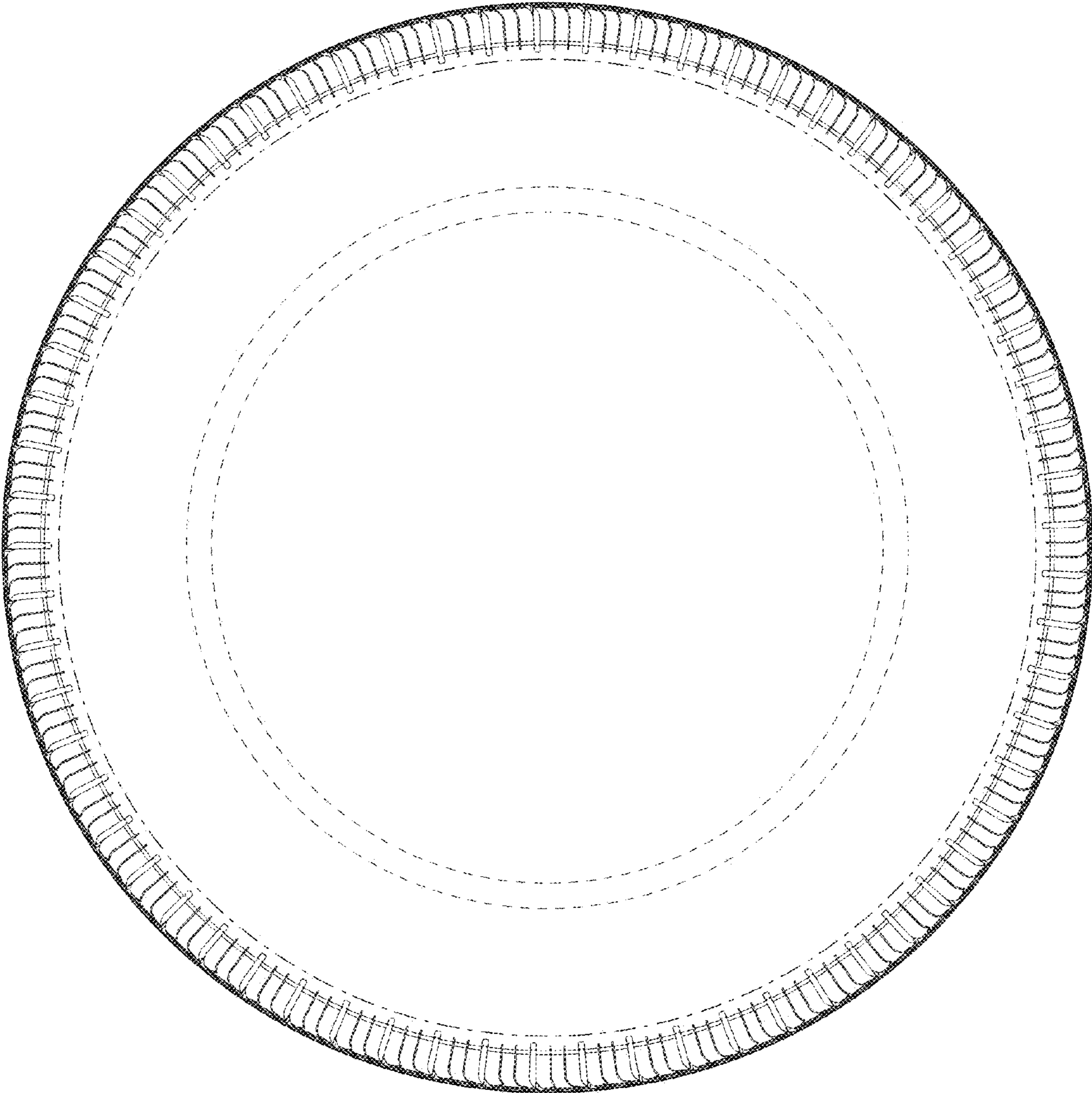


Fig. 3

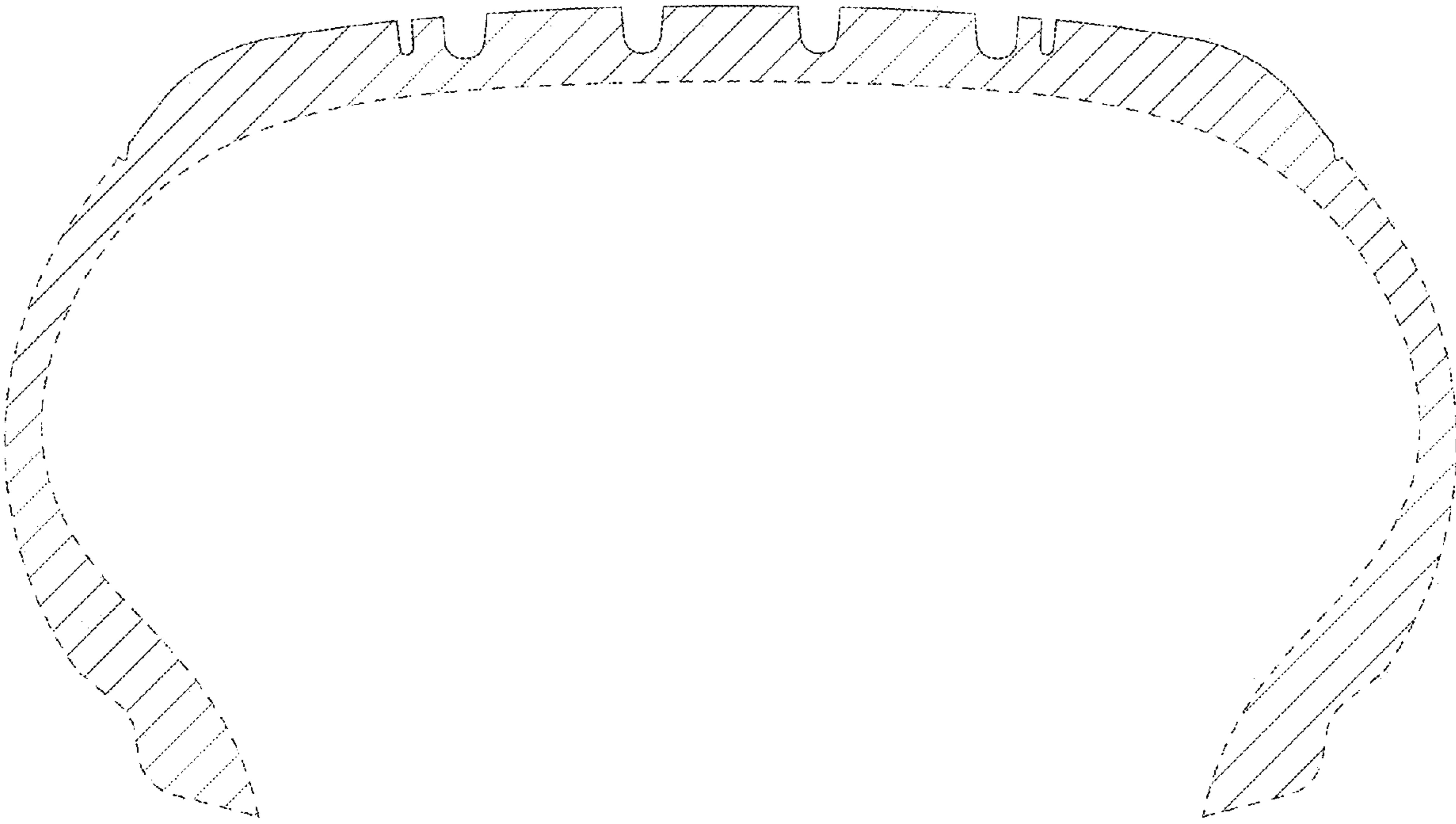


Fig. 4



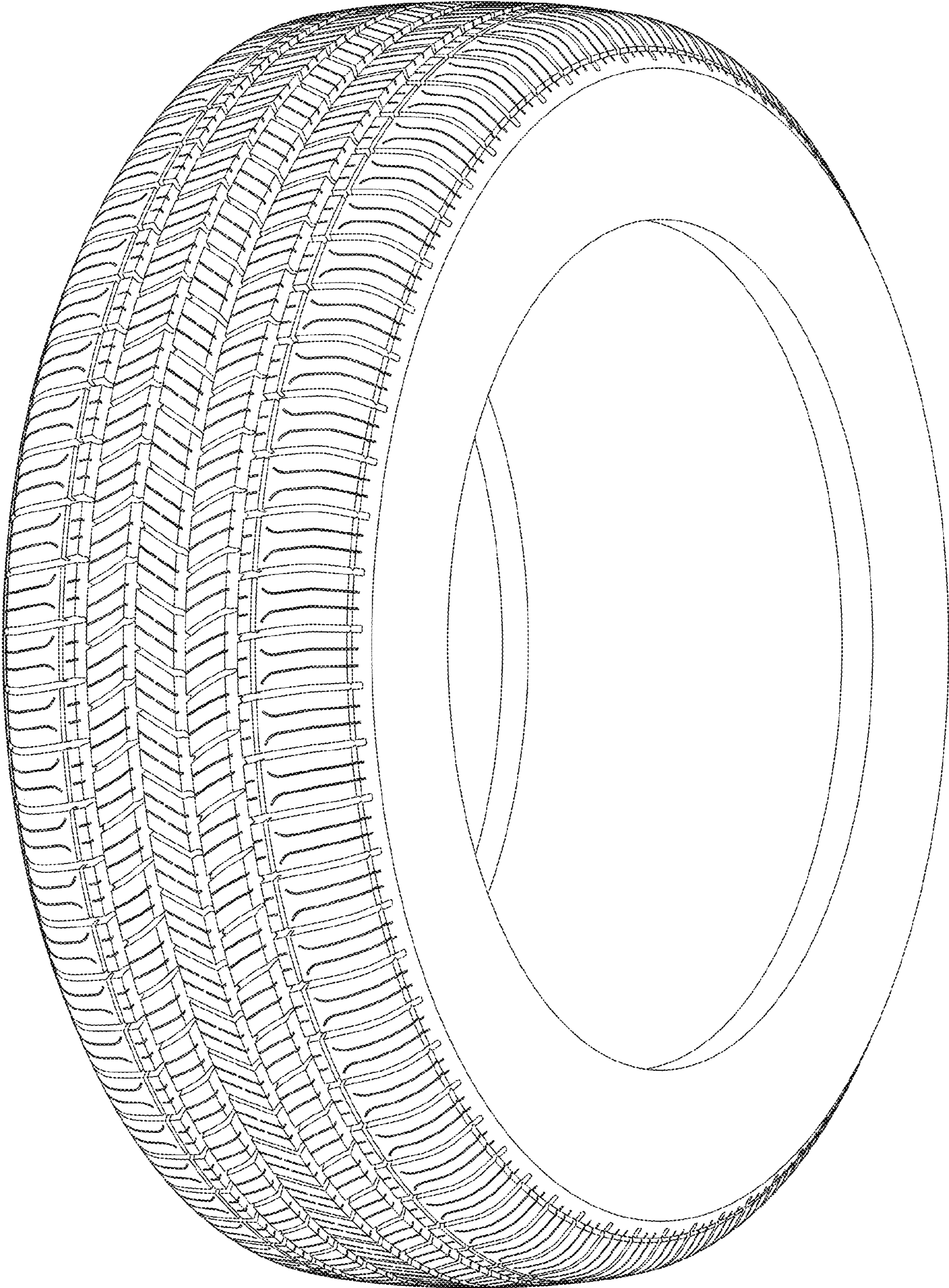


Fig. 5



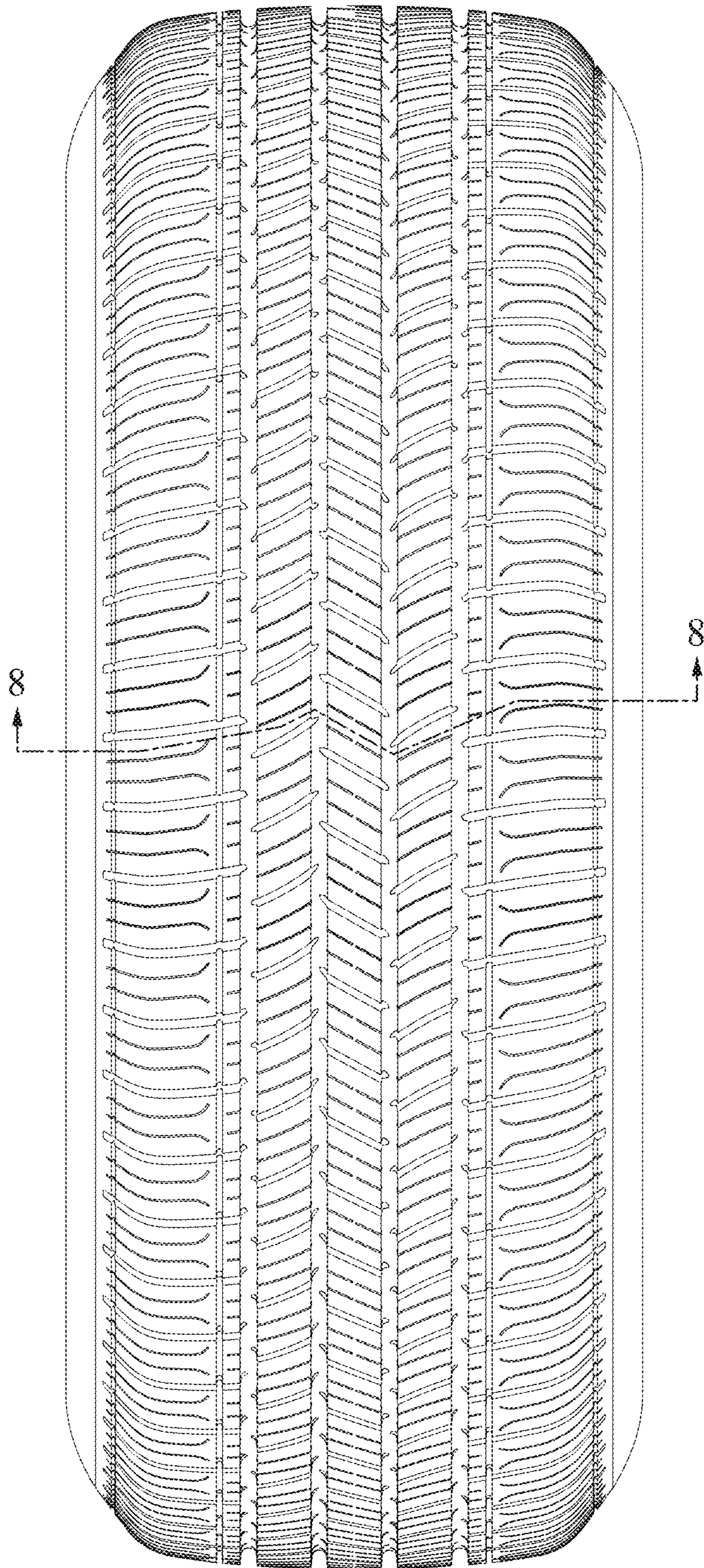


Fig. 6



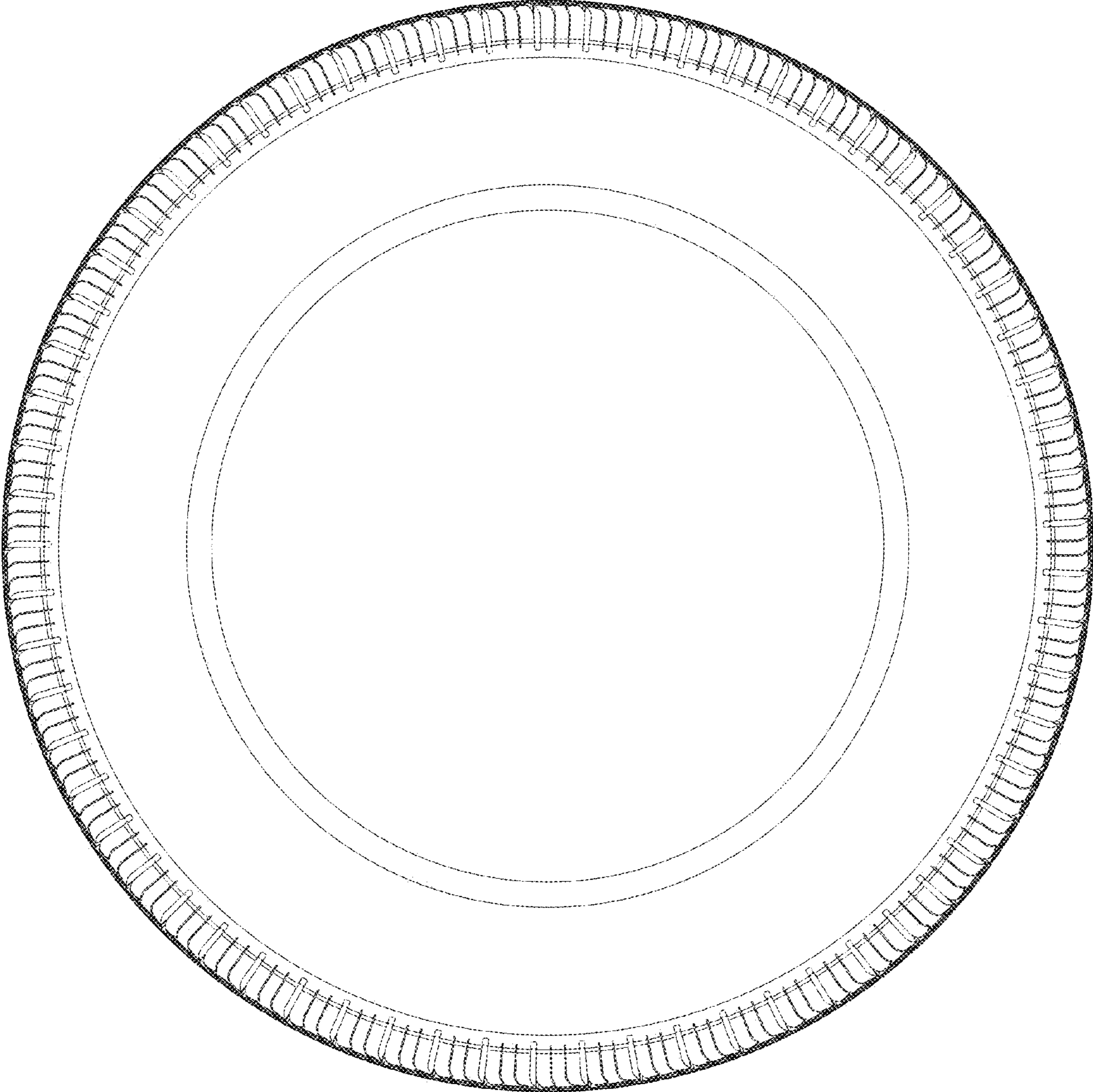


Fig. 7

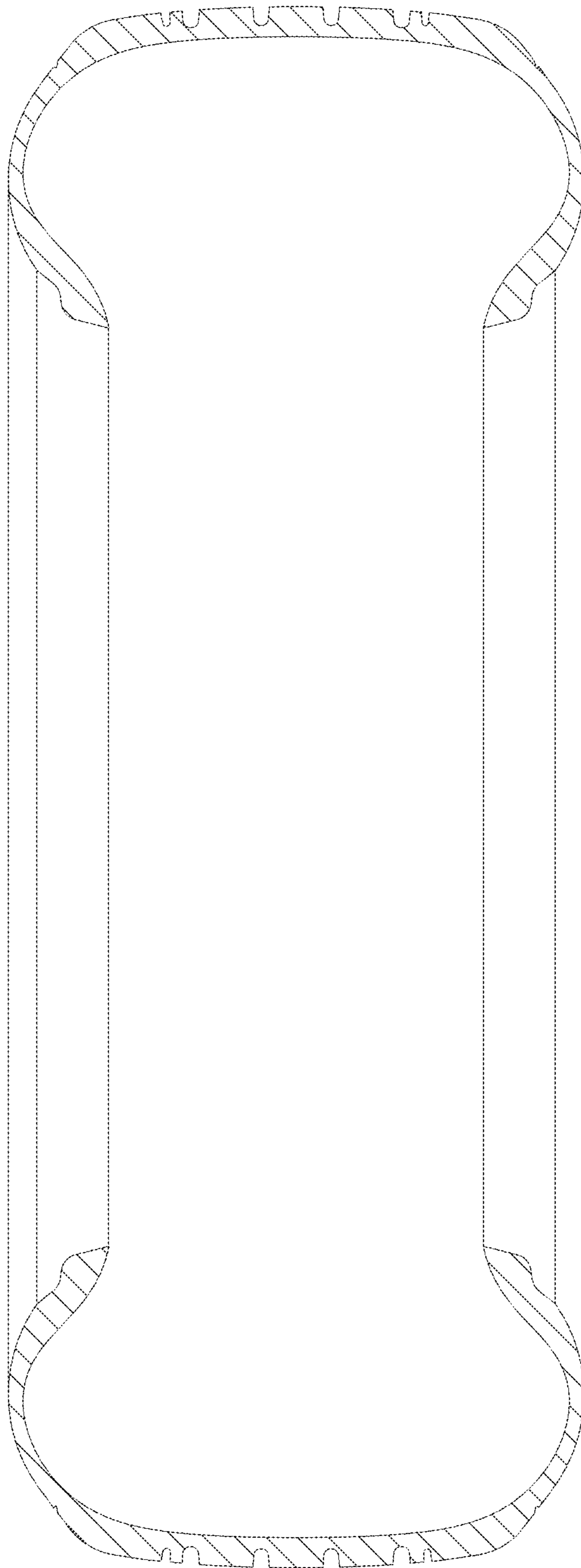


Fig. 8