



US00D926668S

(12) **United States Design Patent**  
**Hayashi et al.**

(10) **Patent No.:** **US D926,668 S**  
(45) **Date of Patent:** **\*\* Aug. 3, 2021**

(54) **TIRE TREAD**

FOREIGN PATENT DOCUMENTS

(71) Applicant: **BRIDGESTONE CORPORATION**,  
Tokyo (JP)

CN 301308857 S 8/2010  
JP 1334474 S 1/2009

(Continued)

(72) Inventors: **Shintaro Hayashi**, Tokyo (JP); **Kohei Sahashi**, Tokyo (JP)

OTHER PUBLICATIONS

(73) Assignee: **BRIDGESTONE CORPORATION**,  
Tokyo (JP)

HJ2705207100, Website URL: <http://www.bridgestone.co.jp/corporate/news/2016010803.htm1>, (Bridgestone Corporation), Feb. 1, 2018, [database online], [retrieved on Jan. 11, 2016], Retrieved from the Known Design Database of the Japan Patent Office using Internet, URL: <https://www.j-platpat.inpit.go.jp/d0200>.

(\*\*) Term: **15 Years**

(21) Appl. No.: **29/716,096**

*Primary Examiner* — John A Voytek

(22) Filed: **Dec. 6, 2019**

(74) *Attorney, Agent, or Firm* — Kenja IP Law PC

(30) **Foreign Application Priority Data**

(57) **CLAIM**

The ornamental design for an tire tread, as shown and described.

Sep. 17, 2019 (JP) ..... 2019-020756

**DESCRIPTION**

(51) **LOC (13) Cl.** ..... **12-15**

FIG. 1 is a perspective view of a tire tread showing our new design;

(52) **U.S. Cl.**

FIG. 2 is a front view thereof;

USPC ..... **D12/517**

FIG. 3 is a top view thereof;

(58) **Field of Classification Search**

FIG. 4 is a right side view thereof; and

USPC ..... D12/500-532, 604

FIG. 5 is a left side view thereof.

CPC ..... Y10T 152/10027; B60C 1/0016; B60C

FIG. 6 is a fragmentary enlarged front view thereof;

11/0306; B60C 11/0302; B60C 3/06;

FIG. 7 is an end view taken along line 7-7 in FIG. 6 thereof;

B60C 9/17

FIG. 8 is an end view taken along line 8-8 in FIG. 6 thereof;

See application file for complete search history.

and,

(56) **References Cited**

FIG. 9 is an end view taken along line 9-9 in FIG. 6 thereof.

U.S. PATENT DOCUMENTS

Broken lines shown in the drawings are intended to show portions of the tire tread that are not being claimed, and thus illustrative purpose only and form no part of the claimed design. The light stippled surface shading represents the surface of the tire tread, and the dark stippled surface shading represents the recessed portion of the tread grooves, having the depth as shown in FIGS. 7-9.

D476,946 S \* 7/2003 Lee ..... D12/524

D547,716 S \* 7/2007 Ochi ..... D12/518

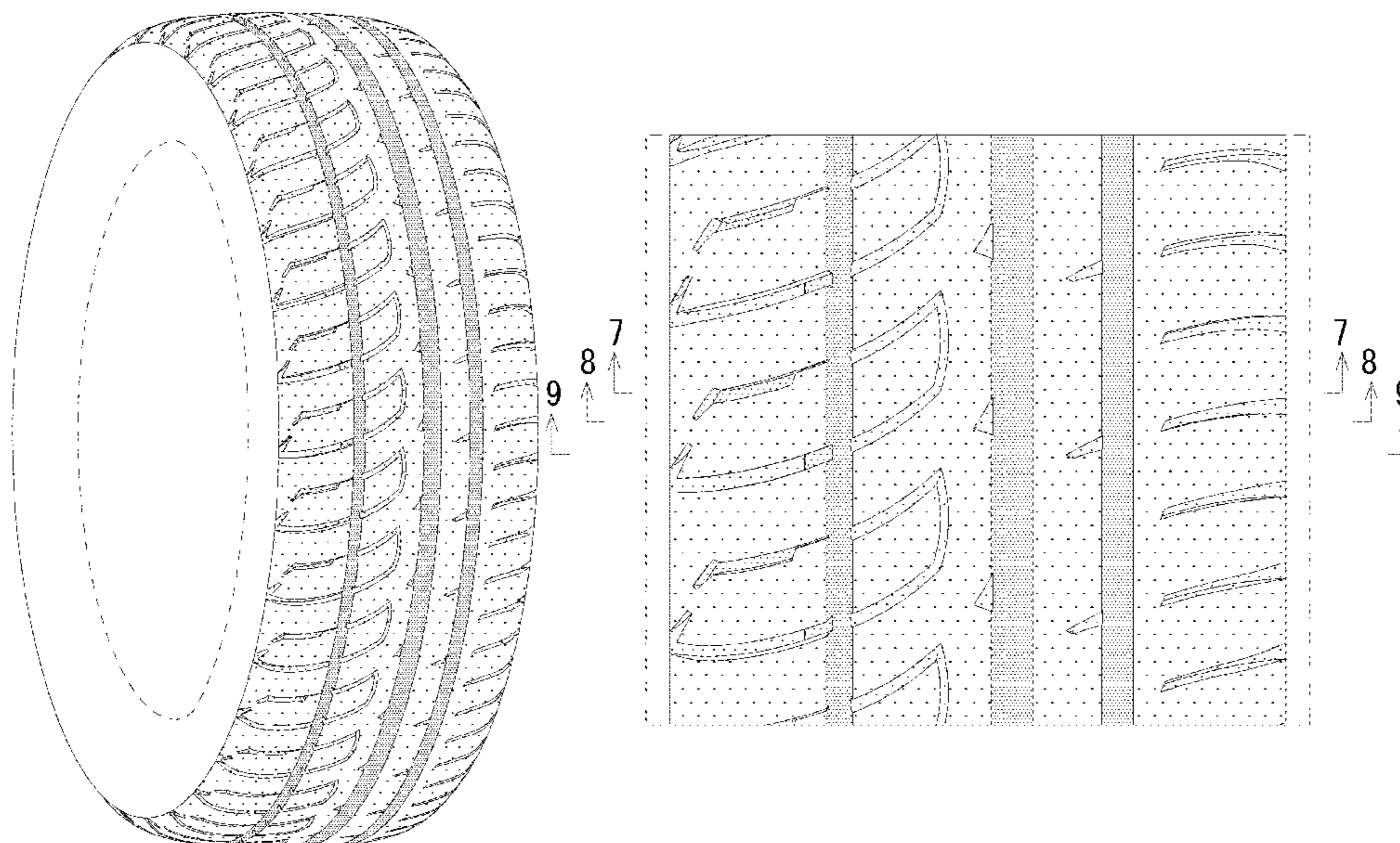
D586,725 S 2/2009 Fontaine et al.

D630,574 S \* 1/2011 Nakamura ..... D12/531

D635,503 S \* 4/2011 Nakamura ..... D12/524

(Continued)

**1 Claim, 9 Drawing Sheets**



(56)

References Cited

U.S. PATENT DOCUMENTS

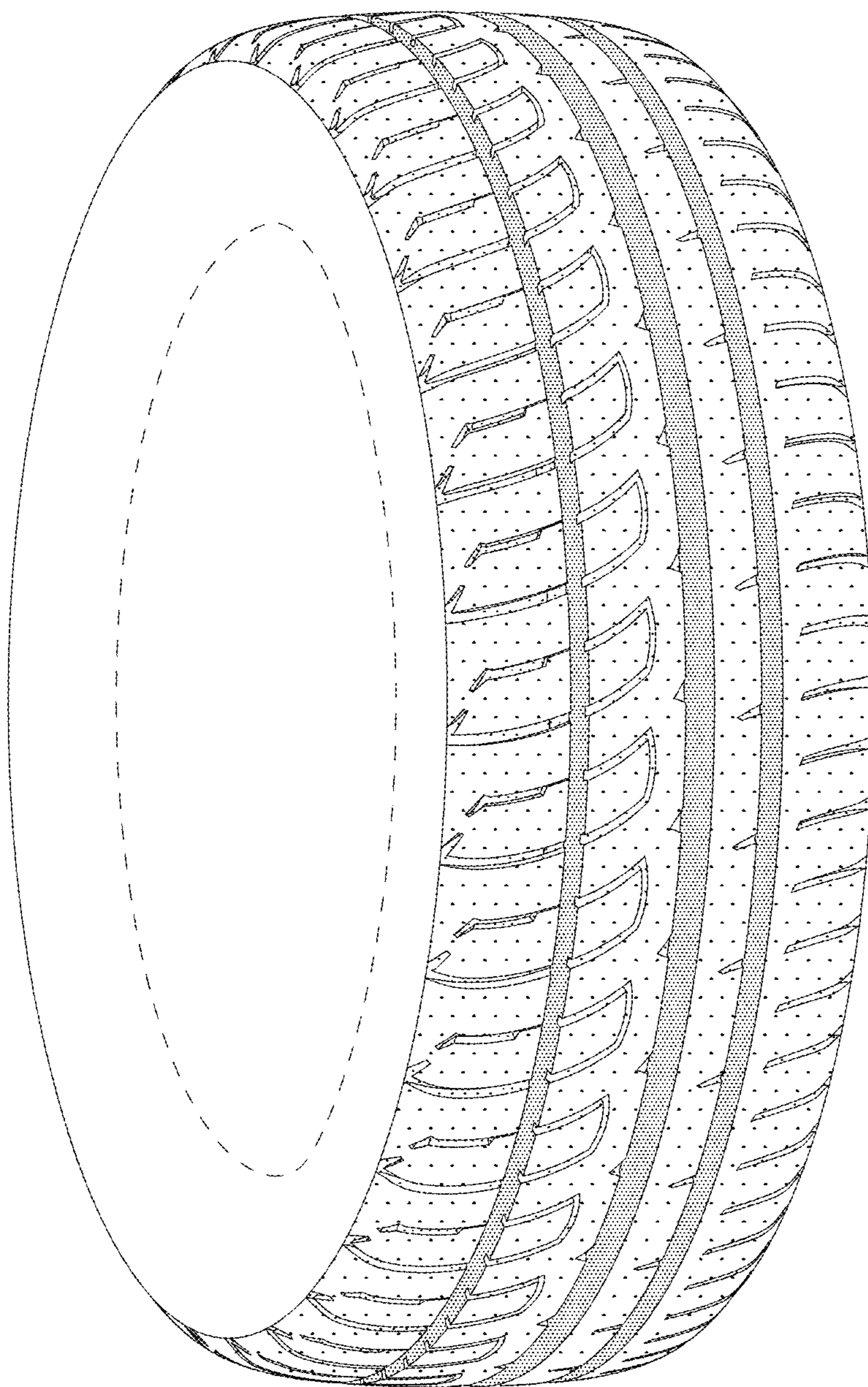
D639,721 S \* 6/2011 Berryman ..... D12/532  
D640,182 S 6/2011 Kiwaki  
D692,371 S 10/2013 Fontaine et al.  
D702,179 S \* 4/2014 Kiwaki ..... D12/517  
D770,364 S \* 11/2016 Nakamura ..... D12/531  
D792,328 S 7/2017 Takei et al.  
D852,118 S \* 6/2019 Nakamura ..... D12/518  
D867,266 S \* 11/2019 Woelffel ..... D12/531  
D885,310 S \* 5/2020 Yamaoka ..... D12/521  
D892,033 S \* 8/2020 Soo ..... D12/531  
2013/0008576 A1 \* 1/2013 Nakamura ..... B60C 11/0306  
152/209.25  
2013/0048173 A1 \* 2/2013 Kiwaki ..... B60C 11/0309  
152/209.18

FOREIGN PATENT DOCUMENTS

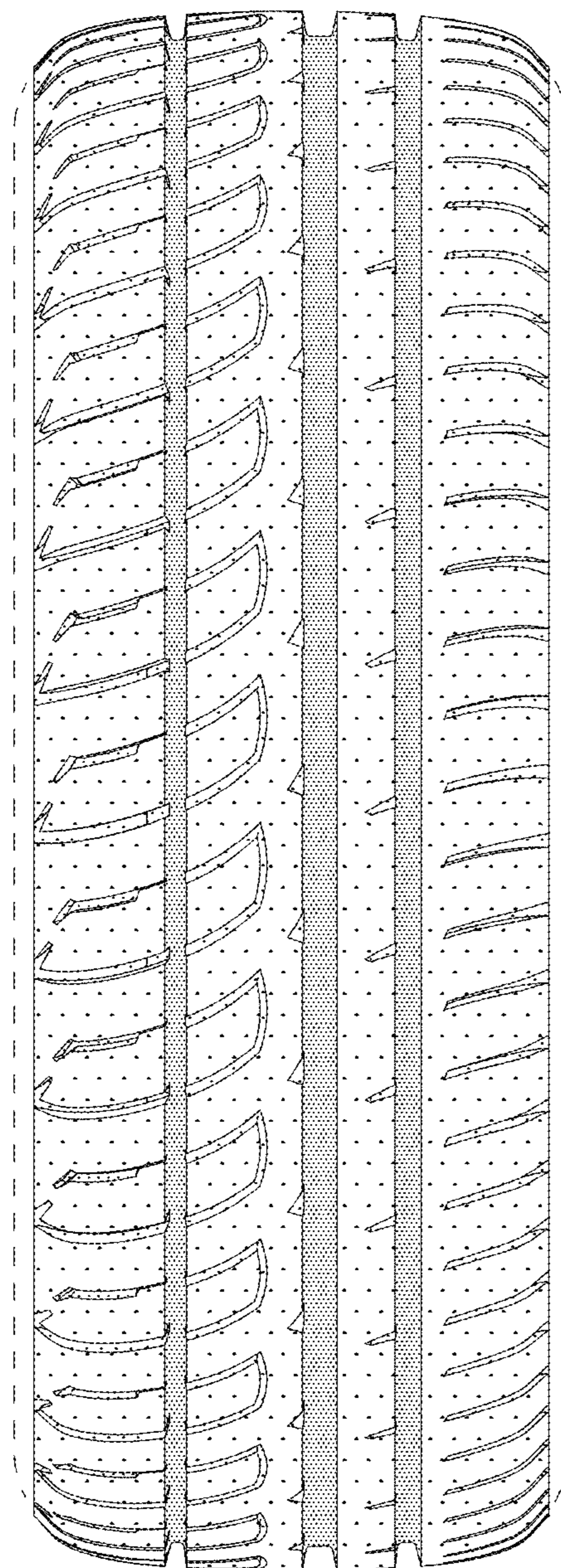
JP 1465707 S 4/2013  
JP 1406108 S 1/2014  
JP 1541051 S 2/2016  
JP 1644965 S 11/2019  
KR 3005220770001 S 3/2009  
KR 3005220770002 S 3/2009  
KR 300638222 S 3/2012  
WO DM/087057 7/2017

\* cited by examiner

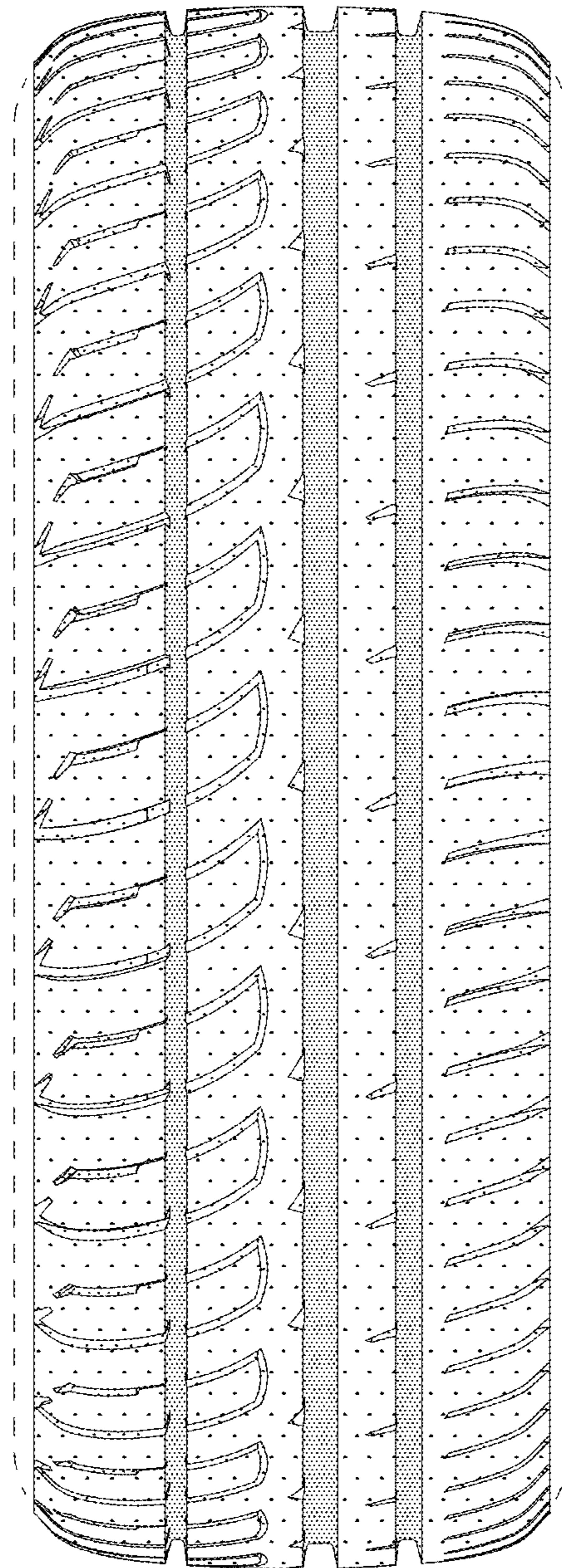
*FIG. 1*



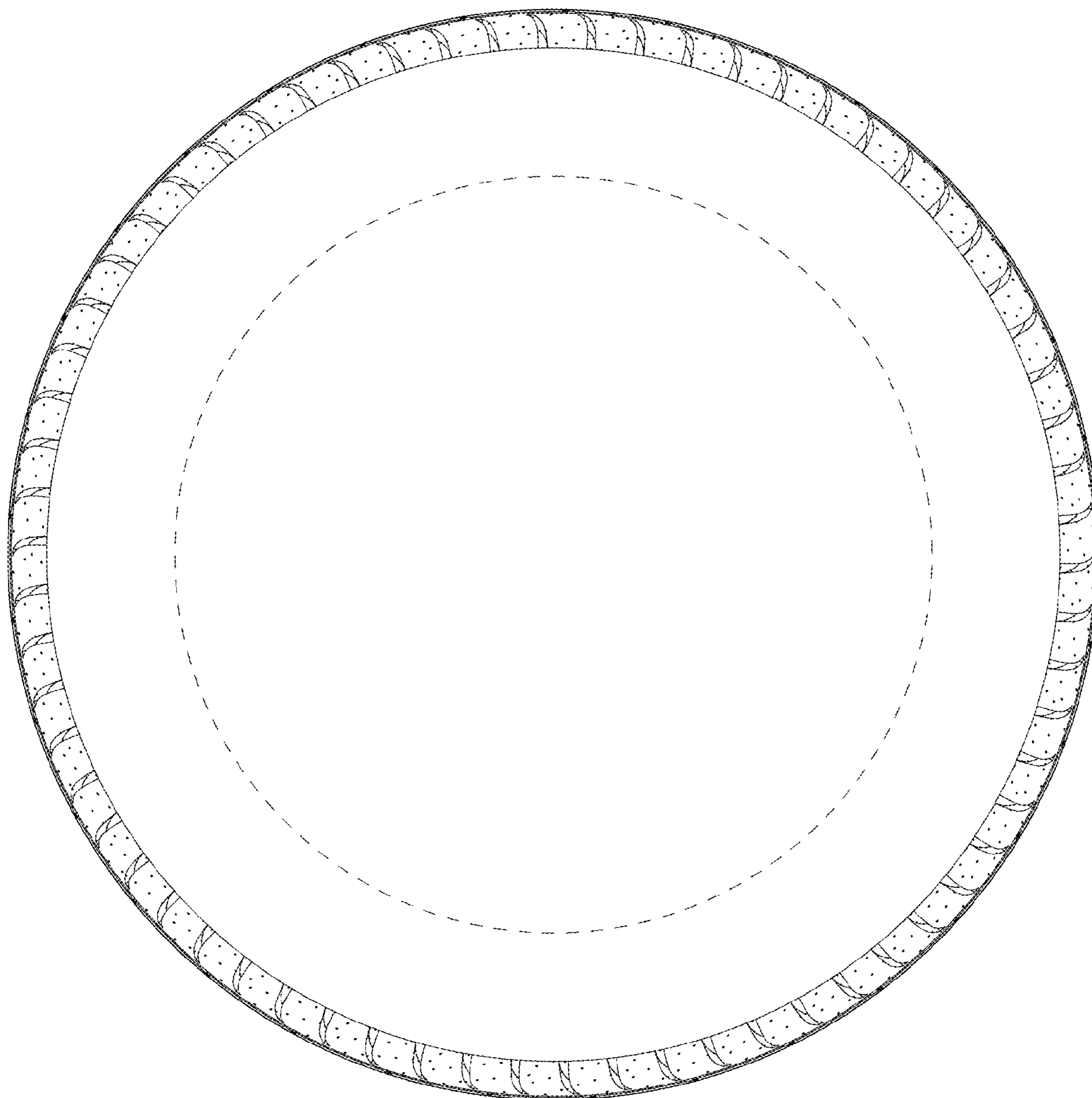
*FIG. 2*



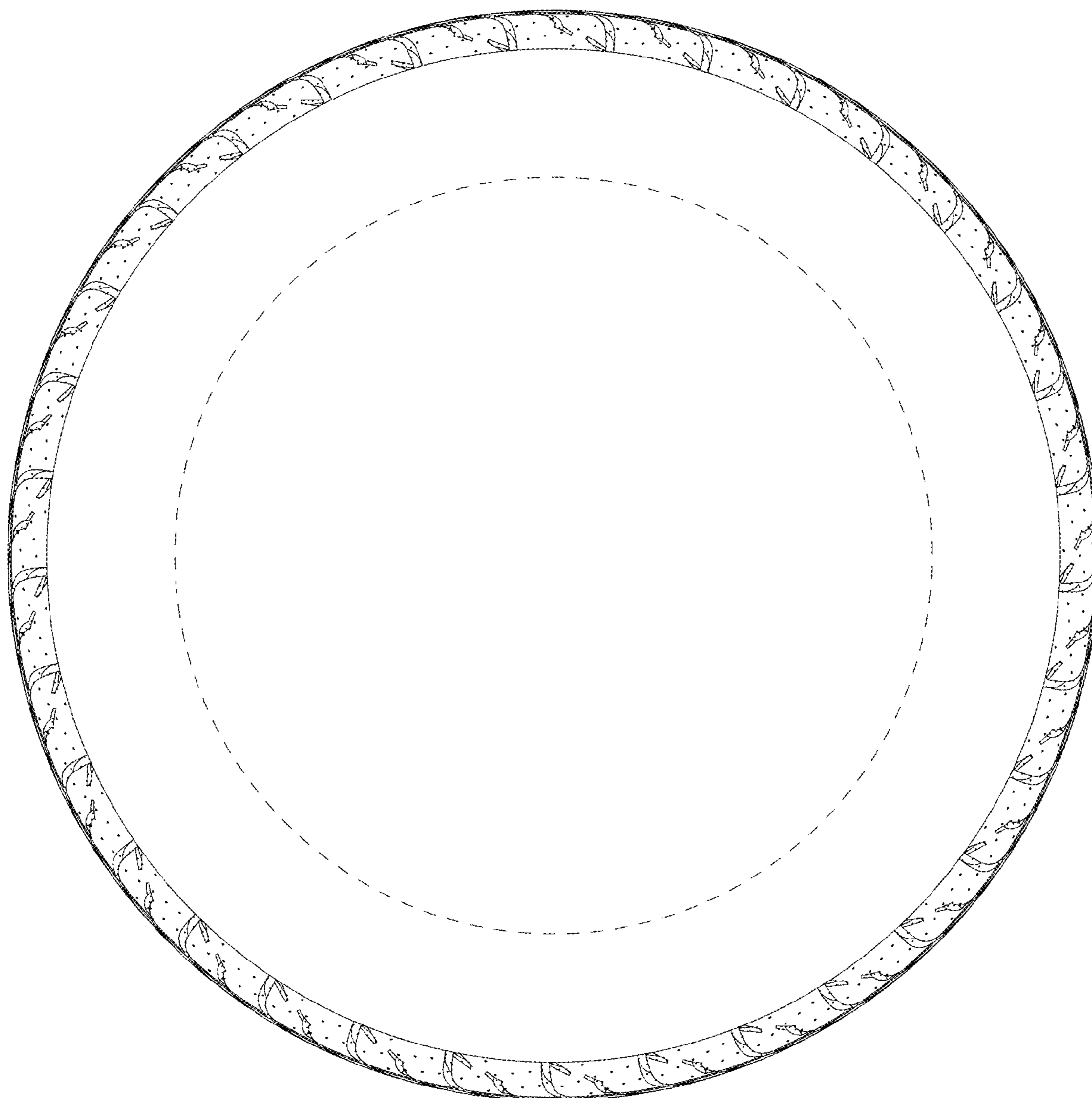
*FIG. 3*



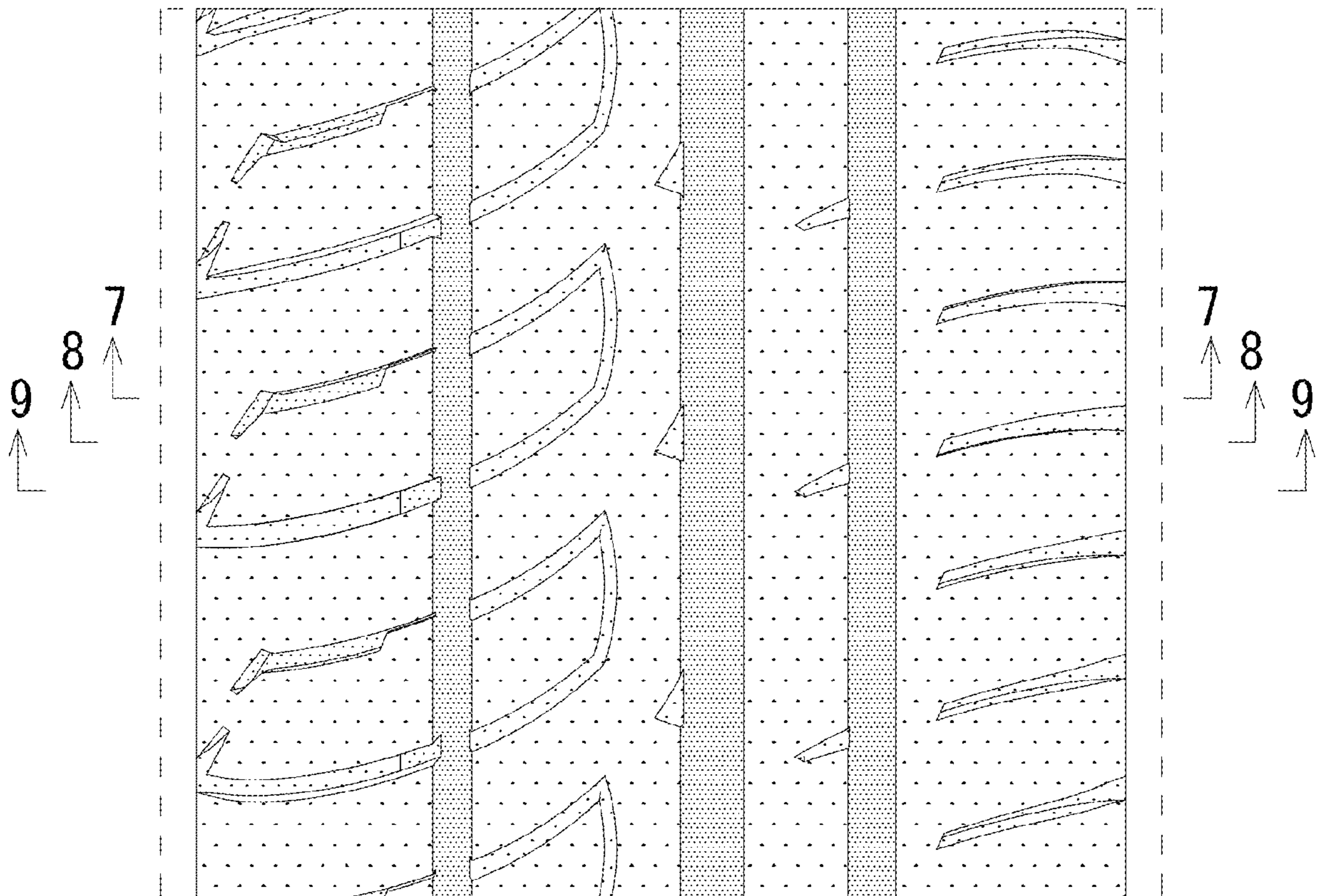
*FIG. 4*



*FIG. 5*

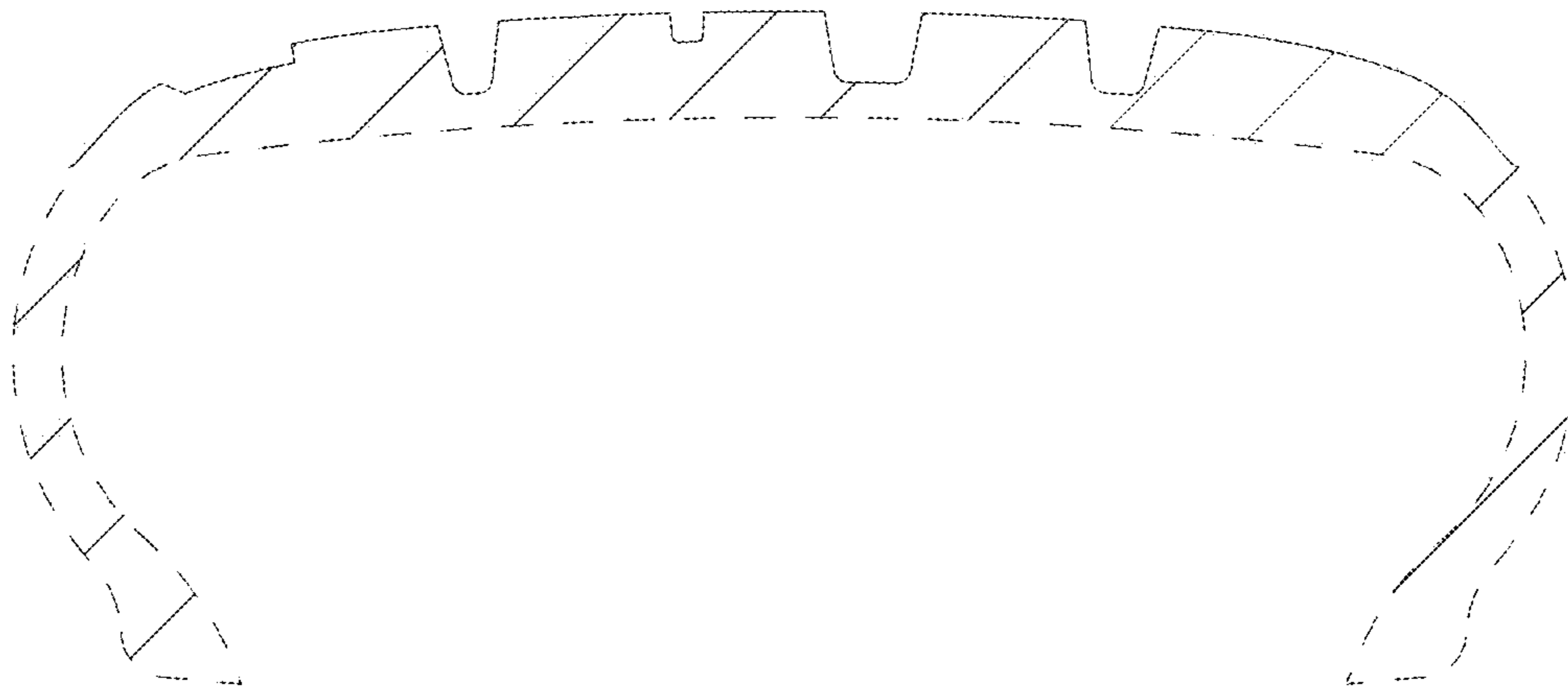


*FIG. 6*

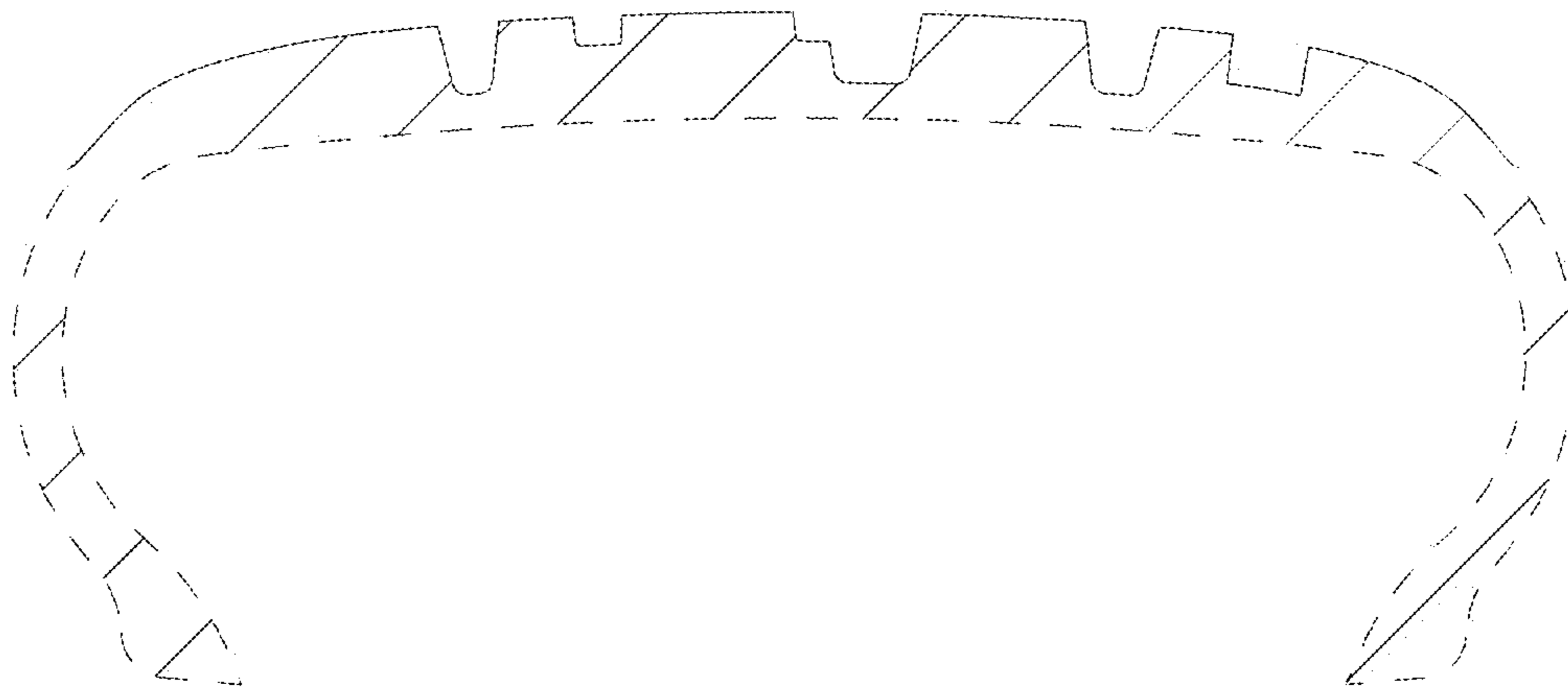




*FIG. 7*



*FIG. 8*



*FIG. 9*

