



US00D92666S

(12) **United States Design Patent**
Martin et al.

(10) **Patent No.:** **US D926,666 S**

(45) **Date of Patent:** **** Aug. 3, 2021**

(54) **OFF-ROAD VEHICLE ROOF**

(71) Applicant: **BOMBARDIER RECREATIONAL PRODUCTS INC.**, Valcourt (CA)

(72) Inventors: **Hugo Martin**, Knowlton (CA);
Stephane Sanschagrin, Drummondville (CA)

(73) Assignee: **BOMBARDIER RECREATIONAL PRODUCTS INC.**, Valcourt (CA)

(**) Term: **15 Years**

(21) Appl. No.: **29/704,904**

(22) Filed: **Sep. 9, 2019**

(51) **LOC (13) Cl.** **12-16**

(52) **U.S. Cl.**
USPC **D12/401**

(58) **Field of Classification Search**
USPC D12/82, 86, 87, 93, 96, 190, 196, 401;
D21/533, 548, 552, 561
CPC B60J 7/00; B60J 7/04; B60J 7/041; B60J
7/06; B60J 7/061; B60J 7/062; B60J
7/08; B60J 7/11; B60J 7/12; B60J 7/22;
B60J 7/1265; B60Y 2200/20; B60Y
2200/124; B62D 25/06
See application file for complete search history.

(56) **References Cited**

U.S. PATENT DOCUMENTS

| | | | | |
|-------------------|---------|-----------|-------|---------------|
| D686,136 S * | 7/2013 | Galley | | D12/401 |
| D756,845 S * | 5/2016 | Flores | | D12/87 |
| D762,522 S * | 8/2016 | Kinoshita | | D12/87 |
| 9,738,134 B1 * | 8/2017 | Rittenour | | B62D 63/04 |
| D862,286 S * | 10/2019 | Flores | | D12/87 |
| 2018/0273116 A1 * | 9/2018 | Collyer | | B60J 7/194 |
| 2019/0176613 A1 * | 6/2019 | Bastien | | B60K 15/03504 |
| 2019/0193553 A1 * | 6/2019 | Uno | | B60K 11/04 |

* cited by examiner

Primary Examiner — Christian P. McLean

Assistant Examiner — Adam C Mager

(74) *Attorney, Agent, or Firm* — BCF LLP

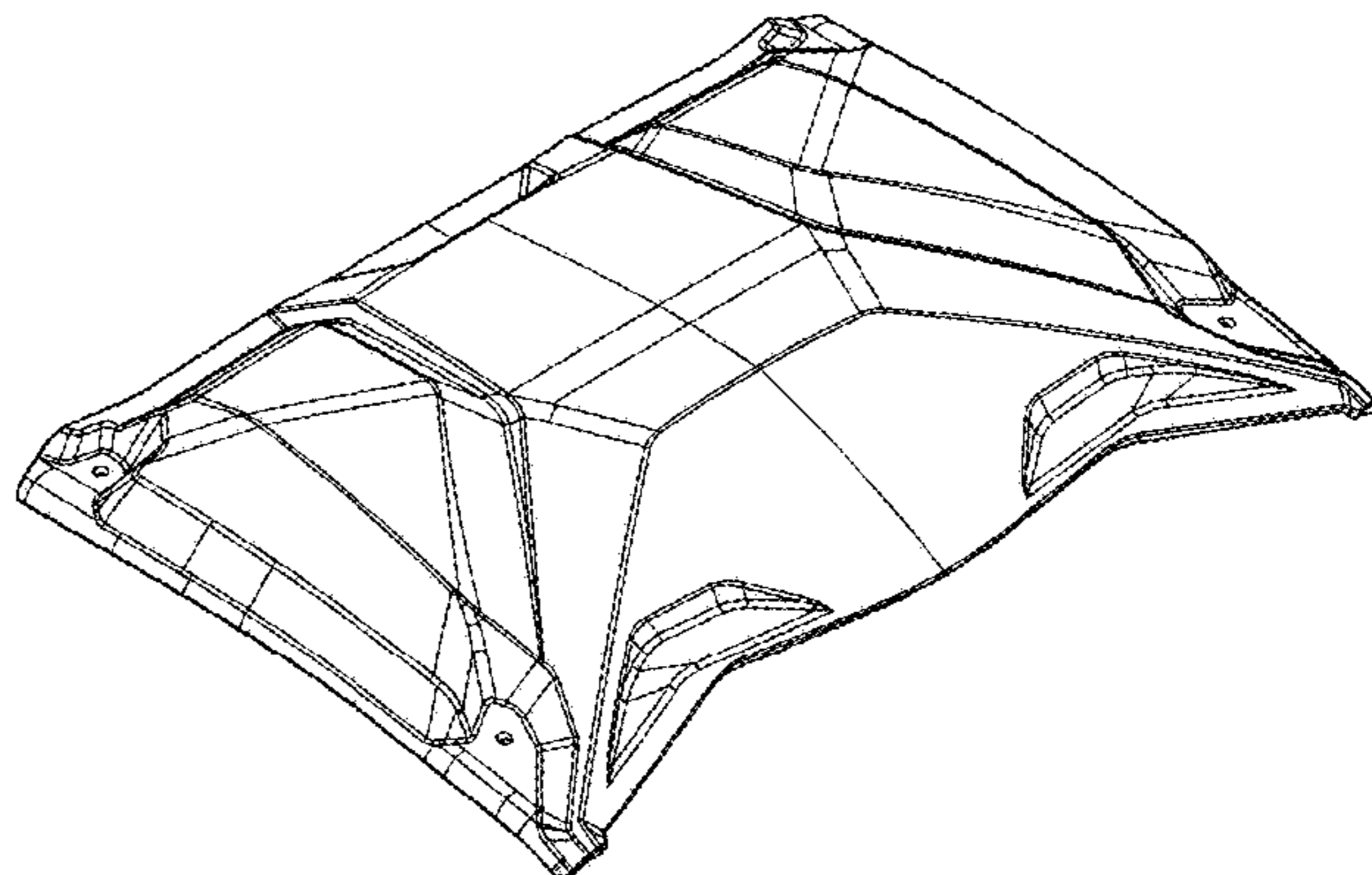
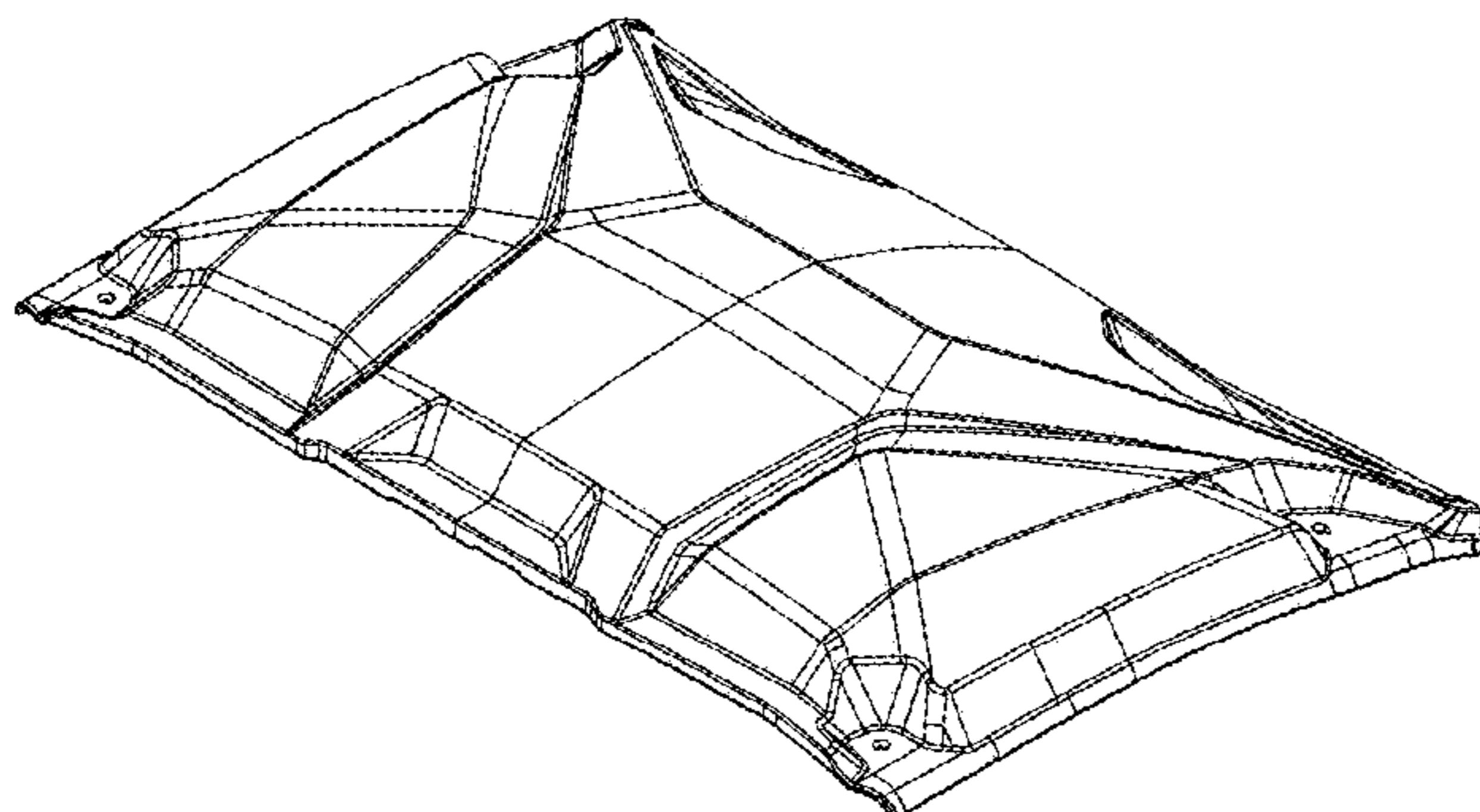
(57) **CLAIM**

The ornamental design for an off-road vehicle roof, as shown and described.

DESCRIPTION

FIG. 1 is a top plan view of an off-road vehicle roof according to an embodiment of our design;
 FIG. 2 is a bottom plan view thereof;
 FIG. 3 is a right side elevation view thereof;
 FIG. 4 is a left side elevation view thereof;
 FIG. 5 is a rear elevation view thereof;
 FIG. 6 is a front elevation view thereof;
 FIG. 7 is a perspective view taken from a rear, right side thereof;
 FIG. 8 is a perspective view taken from a rear, left side thereof;
 FIG. 9 is a perspective view taken from a front, left side thereof;
 FIG. 10 is a perspective view taken from a front, right side thereof;
 FIG. 11 is a top plan view of an off-road vehicle roof according to another embodiment of our design;
 FIG. 12 is a bottom plan view thereof;
 FIG. 13 is a right side elevation view thereof;
 FIG. 14 is a left side elevation view thereof;
 FIG. 15 is a rear elevation view thereof;
 FIG. 16 is a front elevation view thereof;
 FIG. 17 is a perspective view taken from a rear, right side thereof;
 FIG. 18 is a perspective view taken from a rear, left side thereof;
 FIG. 19 is a perspective view taken from a front, left side thereof; and,
 FIG. 20 is a perspective view taken from a front, right side thereof.

1 Claim, 20 Drawing Sheets



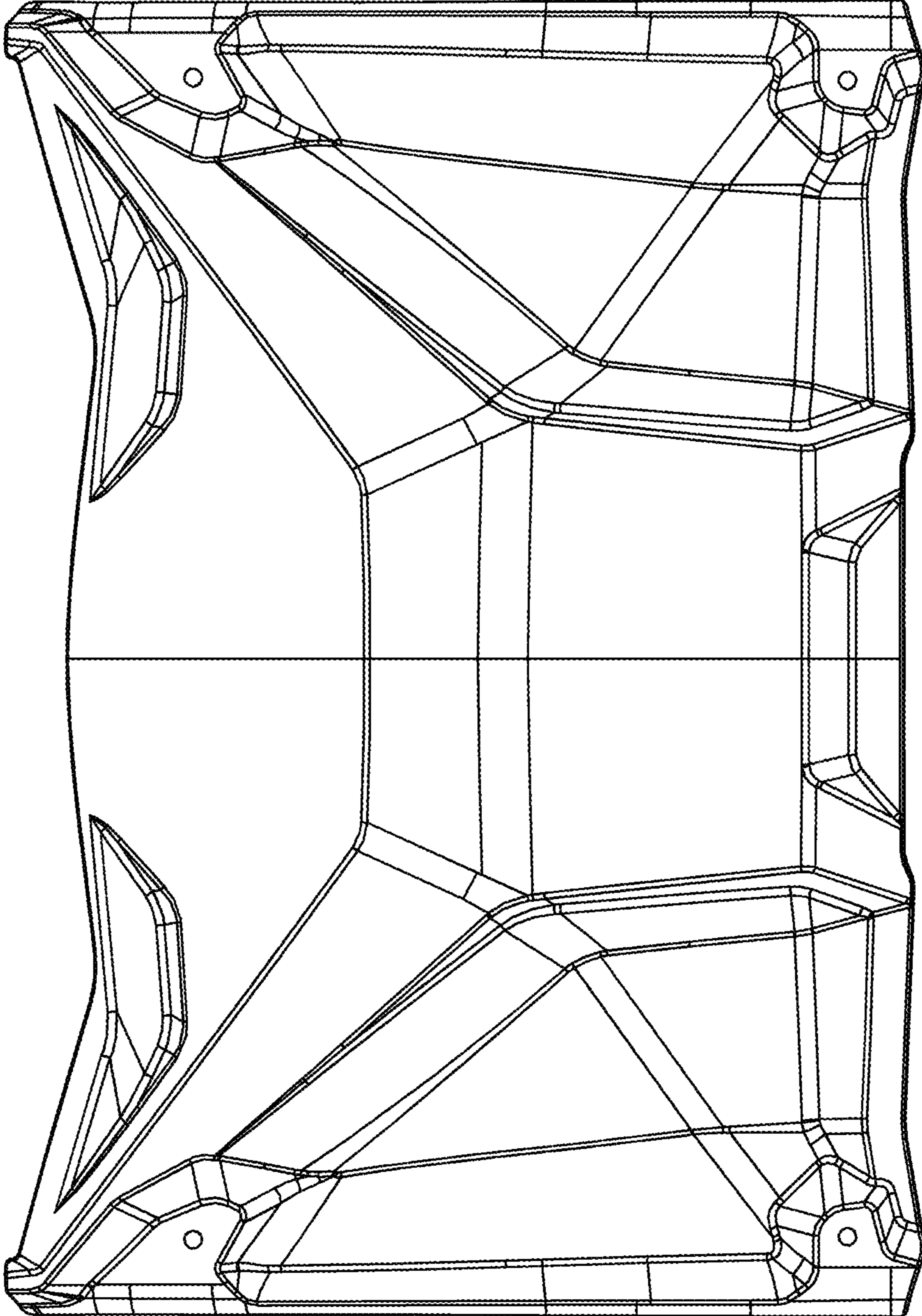


FIG.1

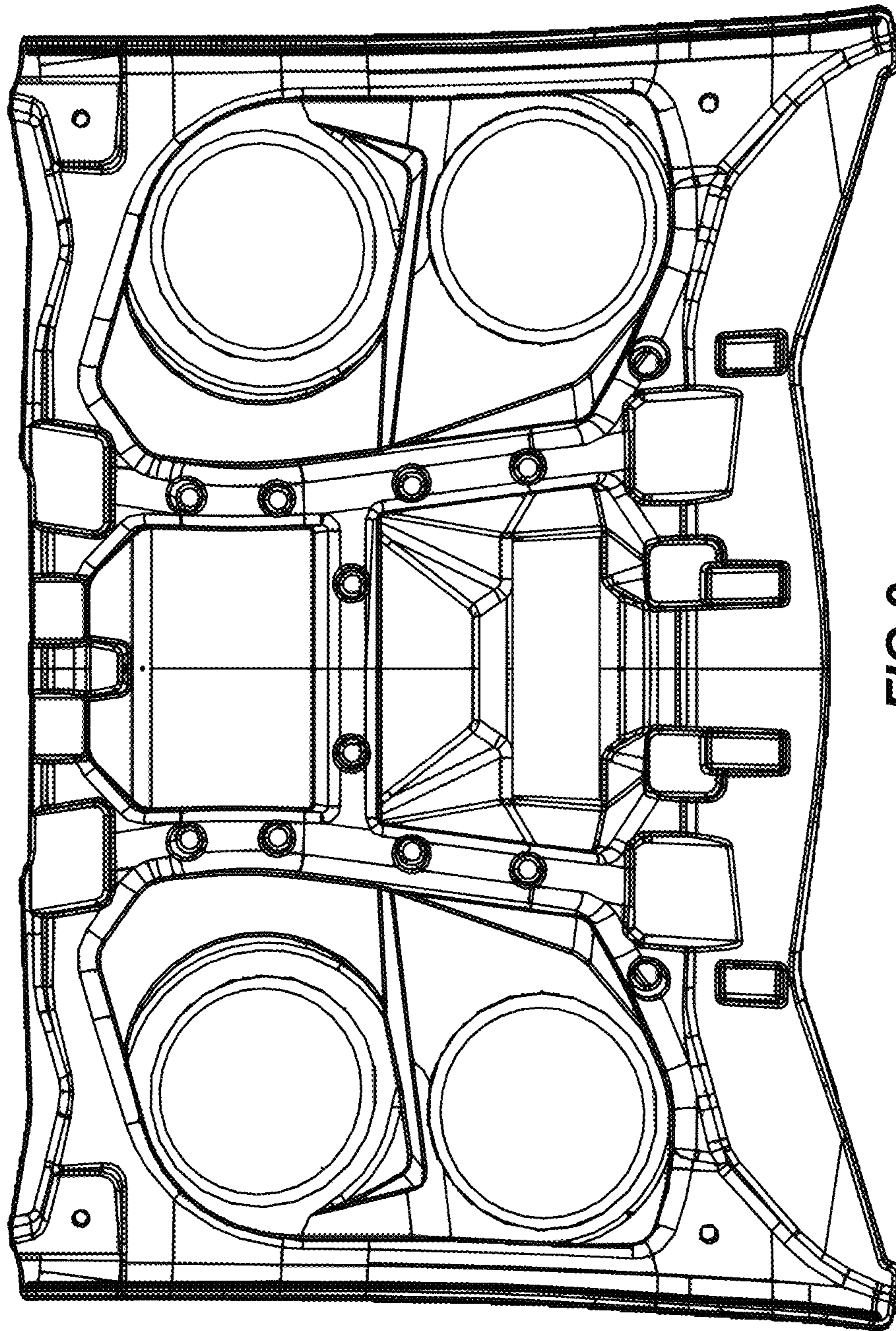


FIG. 2

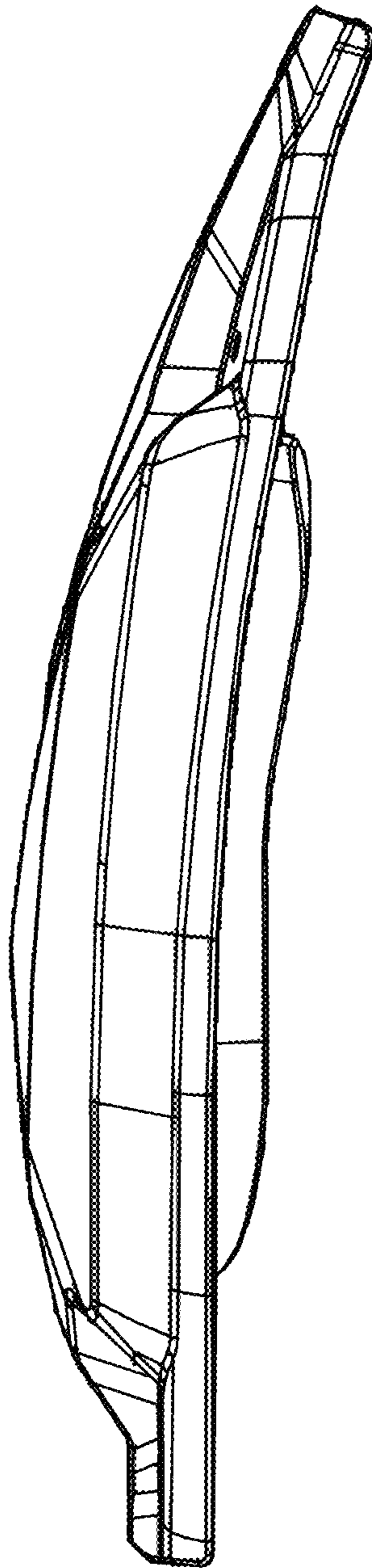


FIG.3

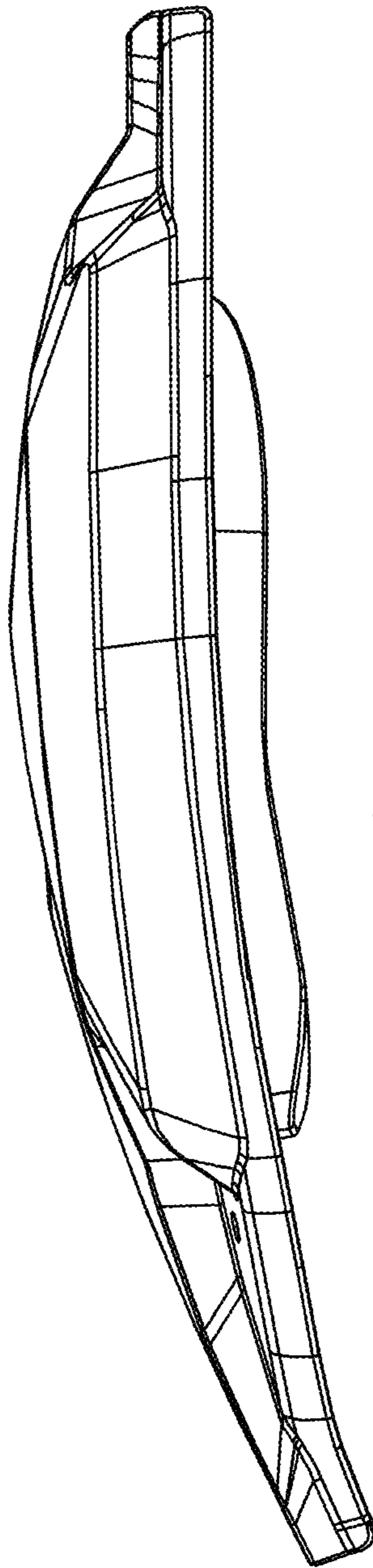


FIG.4

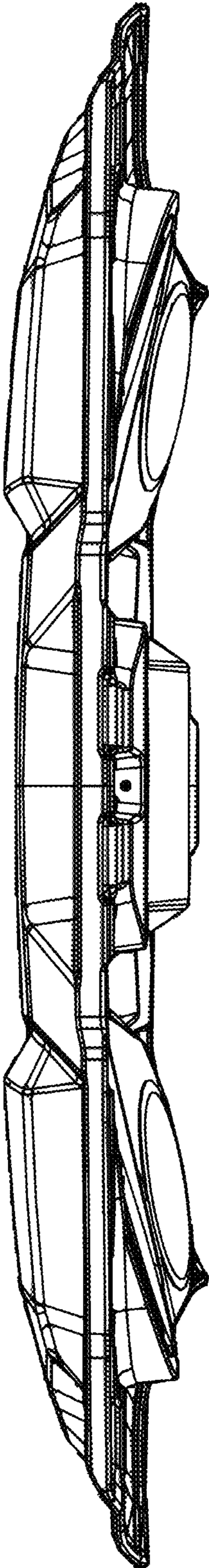


FIG.5

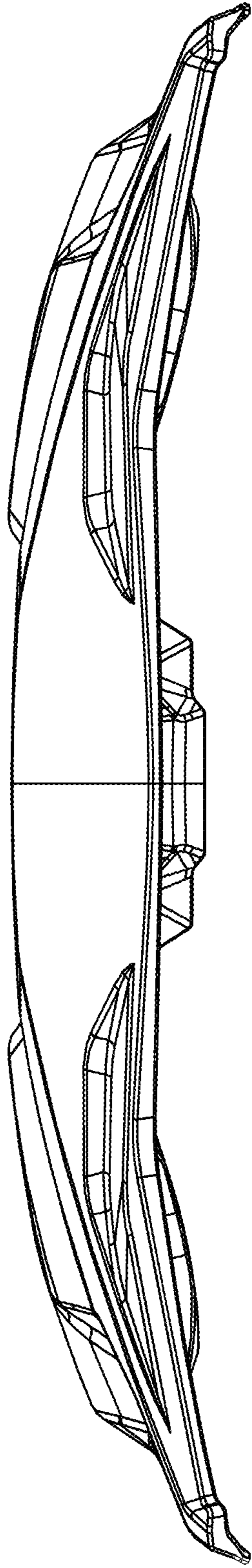


FIG.6

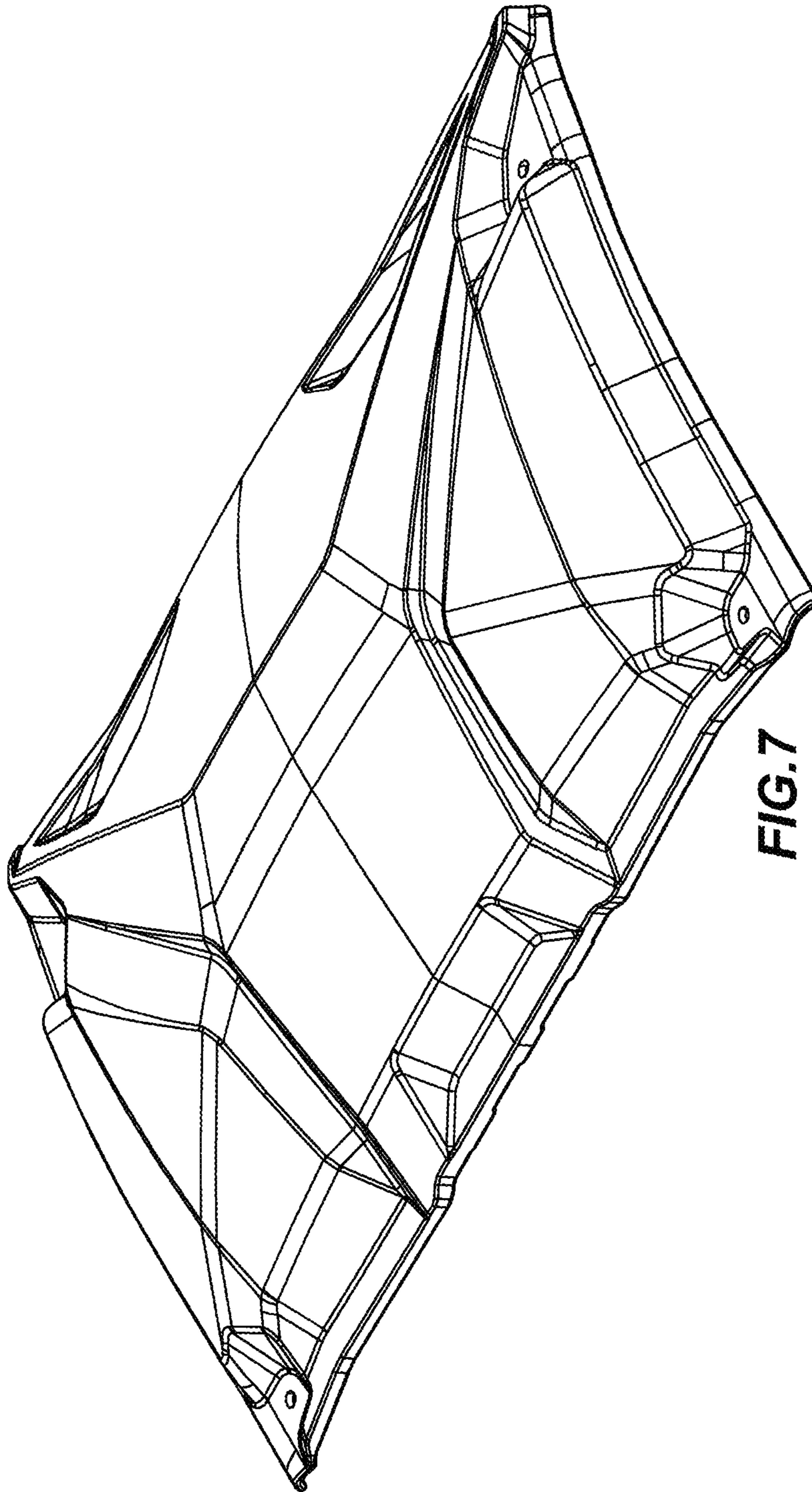


FIG.7

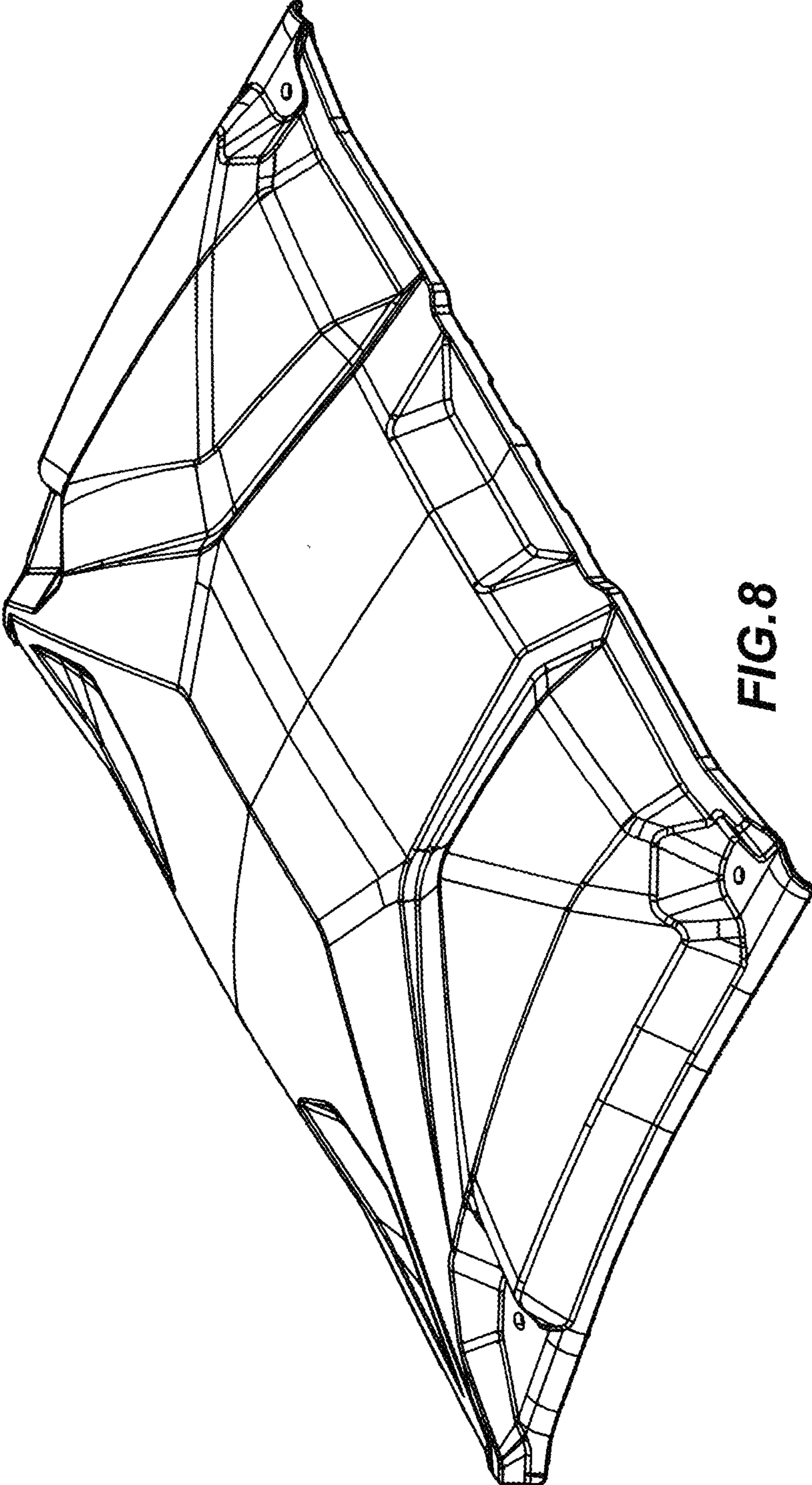


FIG. 8

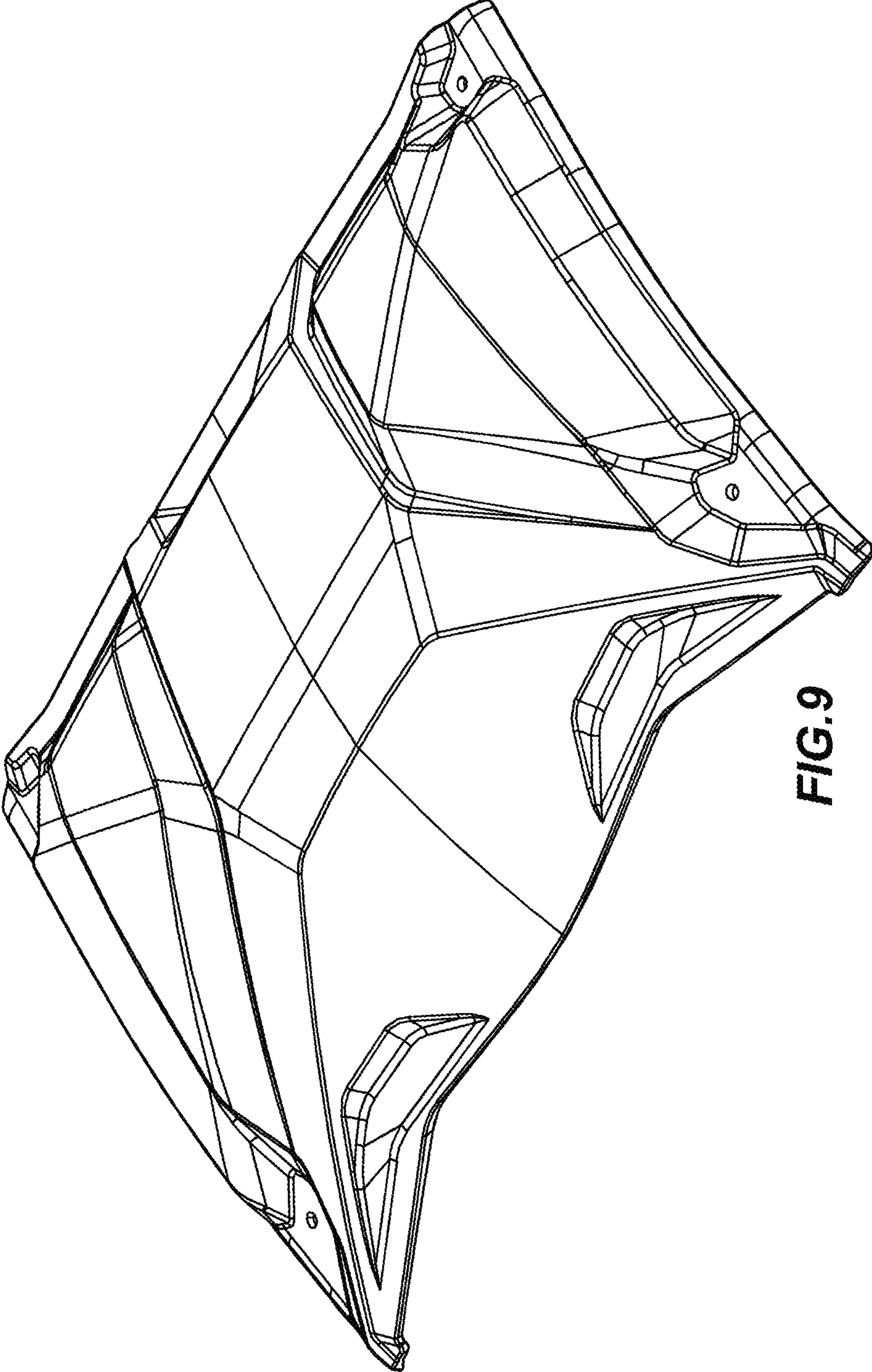


FIG.9

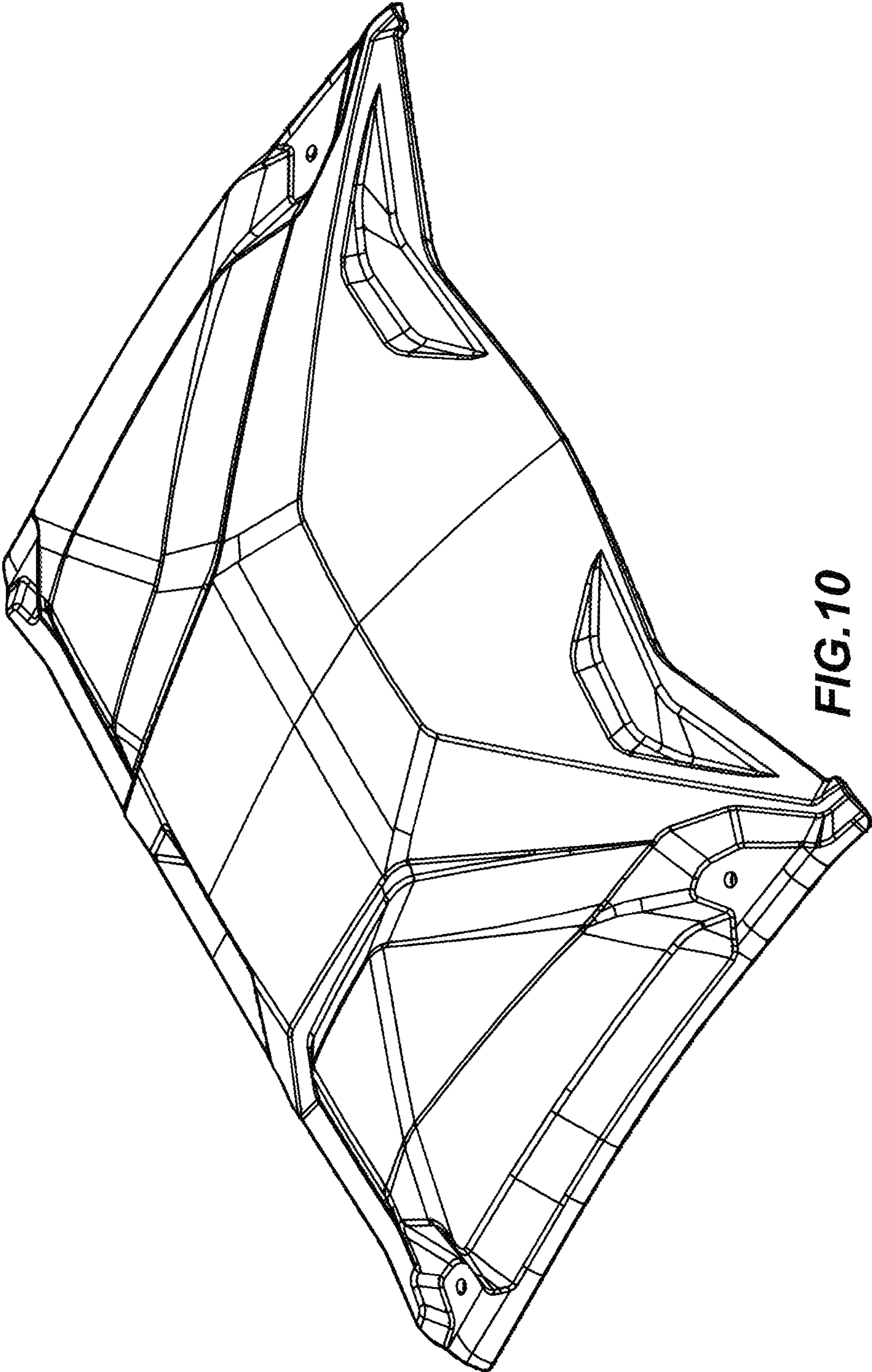


FIG.10

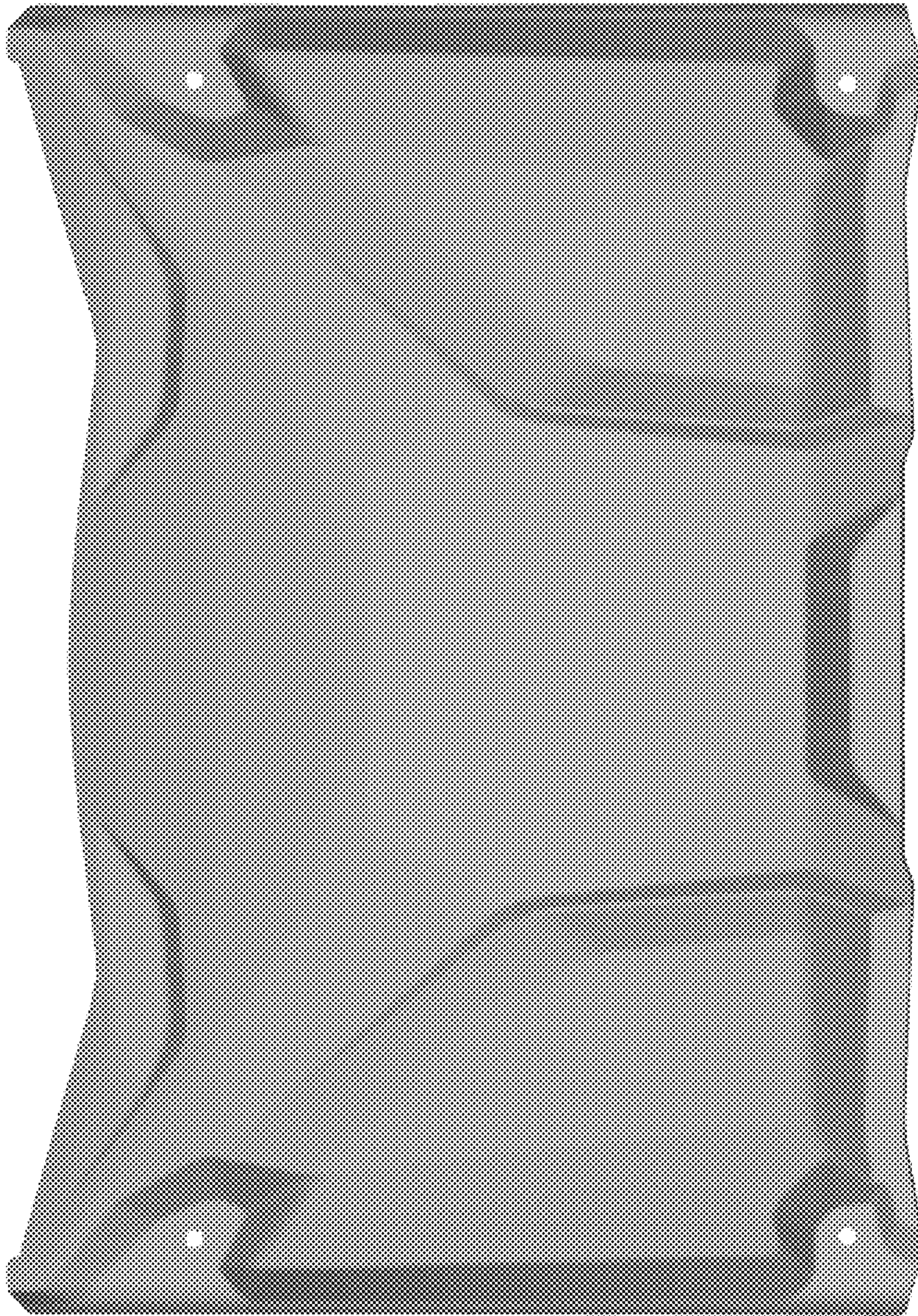


FIG.11

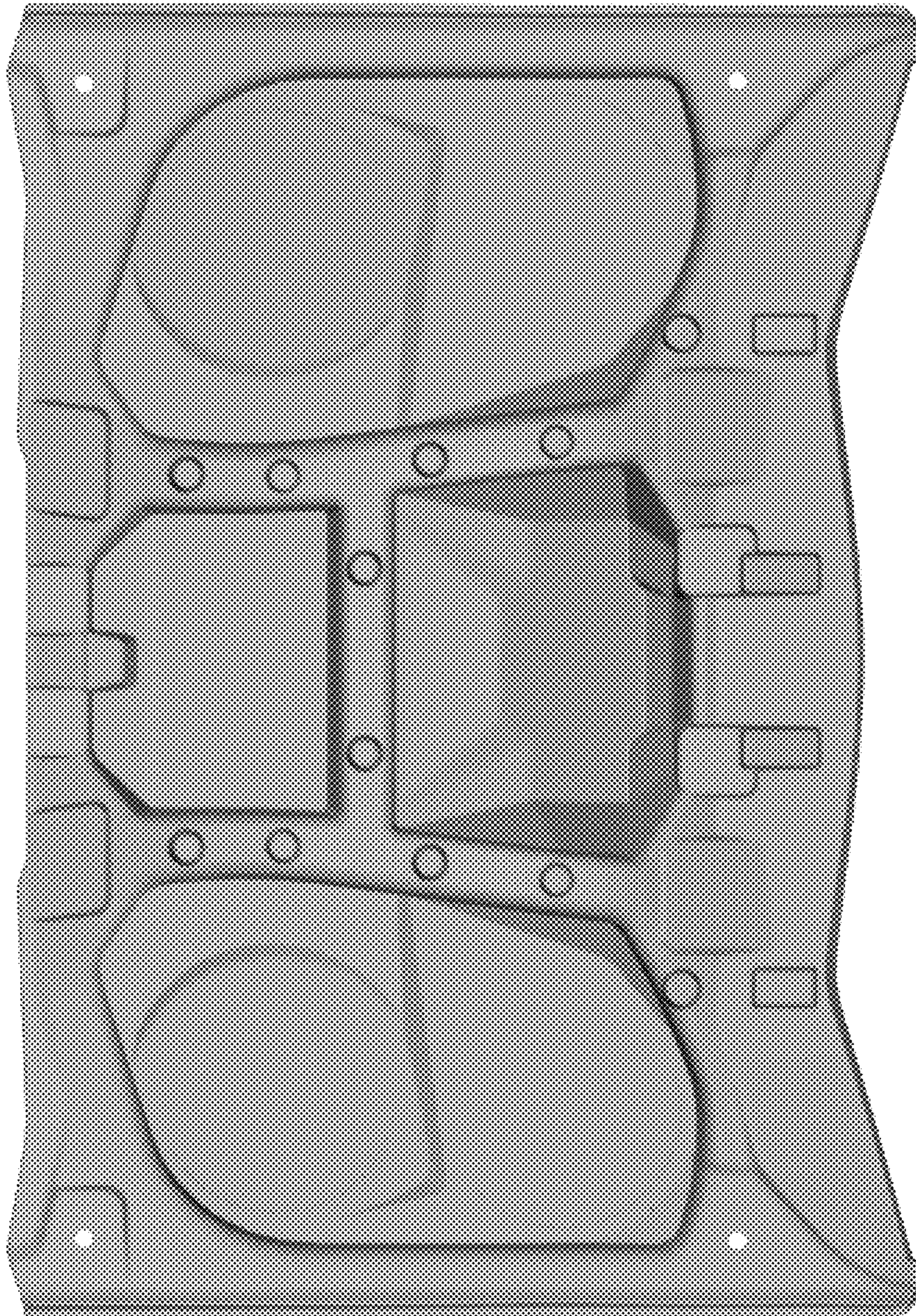


FIG. 12

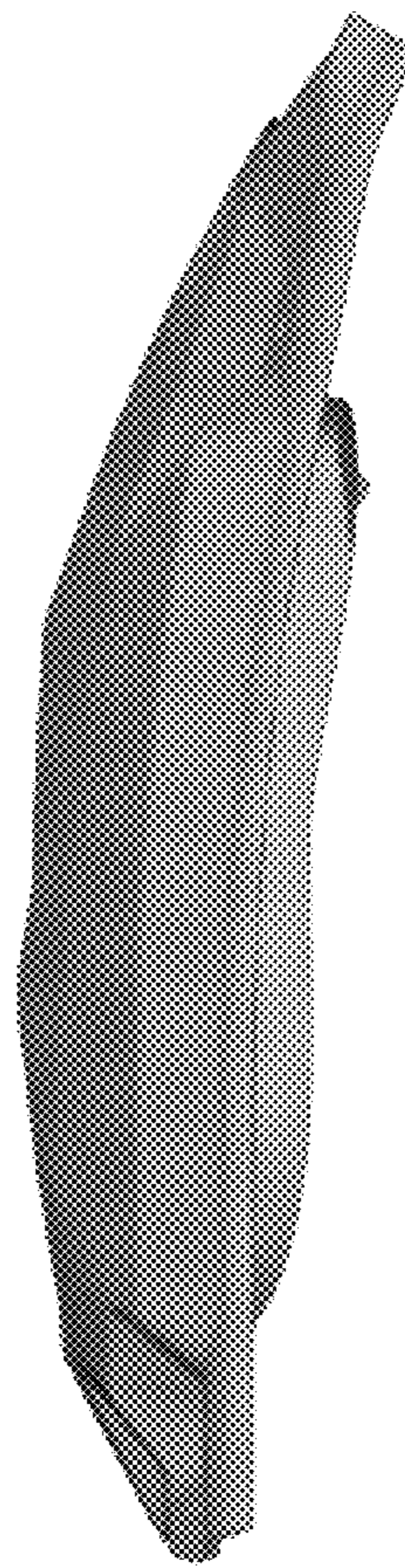


FIG.13

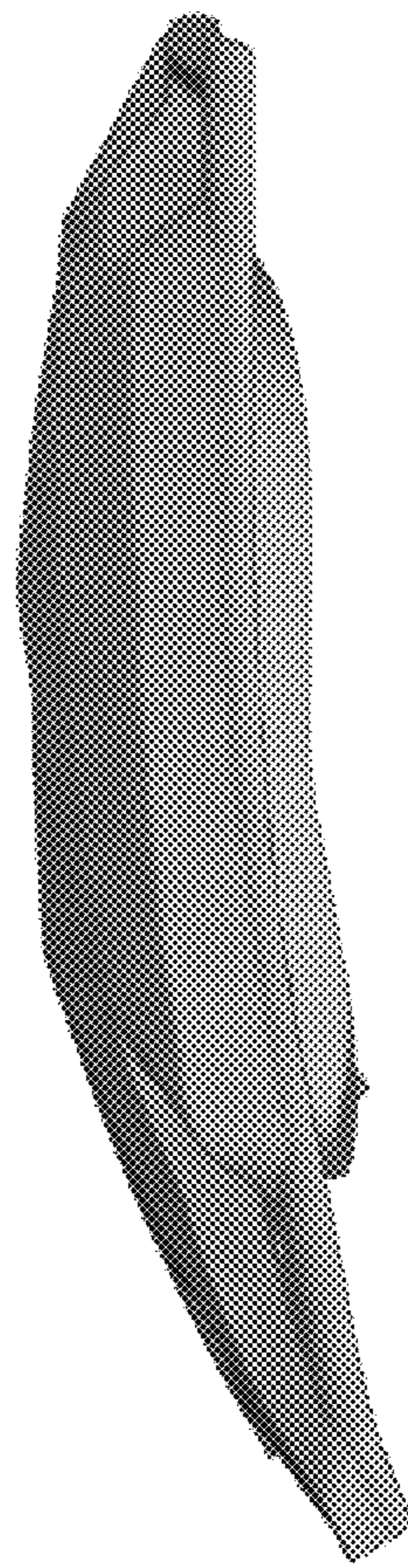


FIG.14

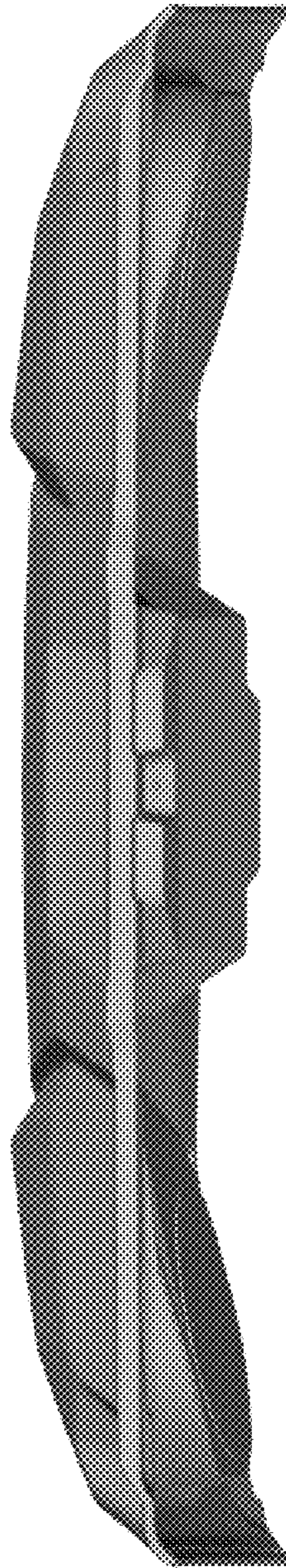


FIG.15

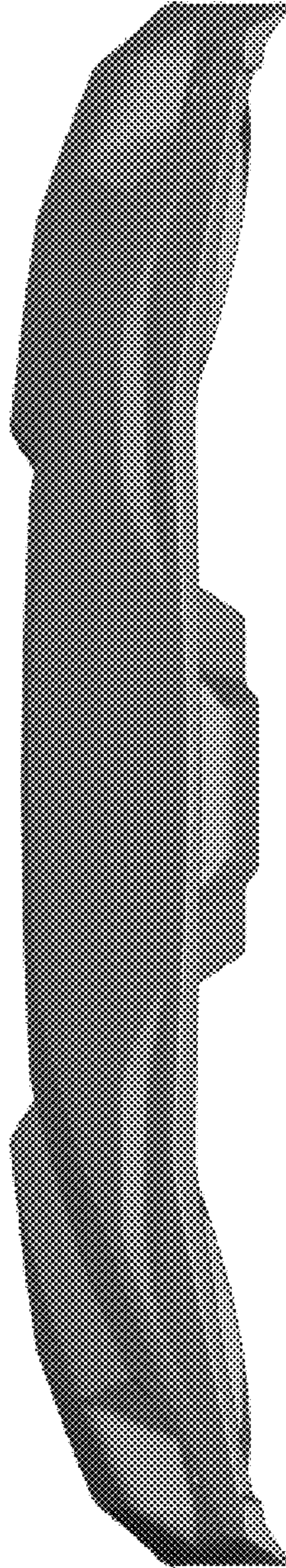


FIG.16

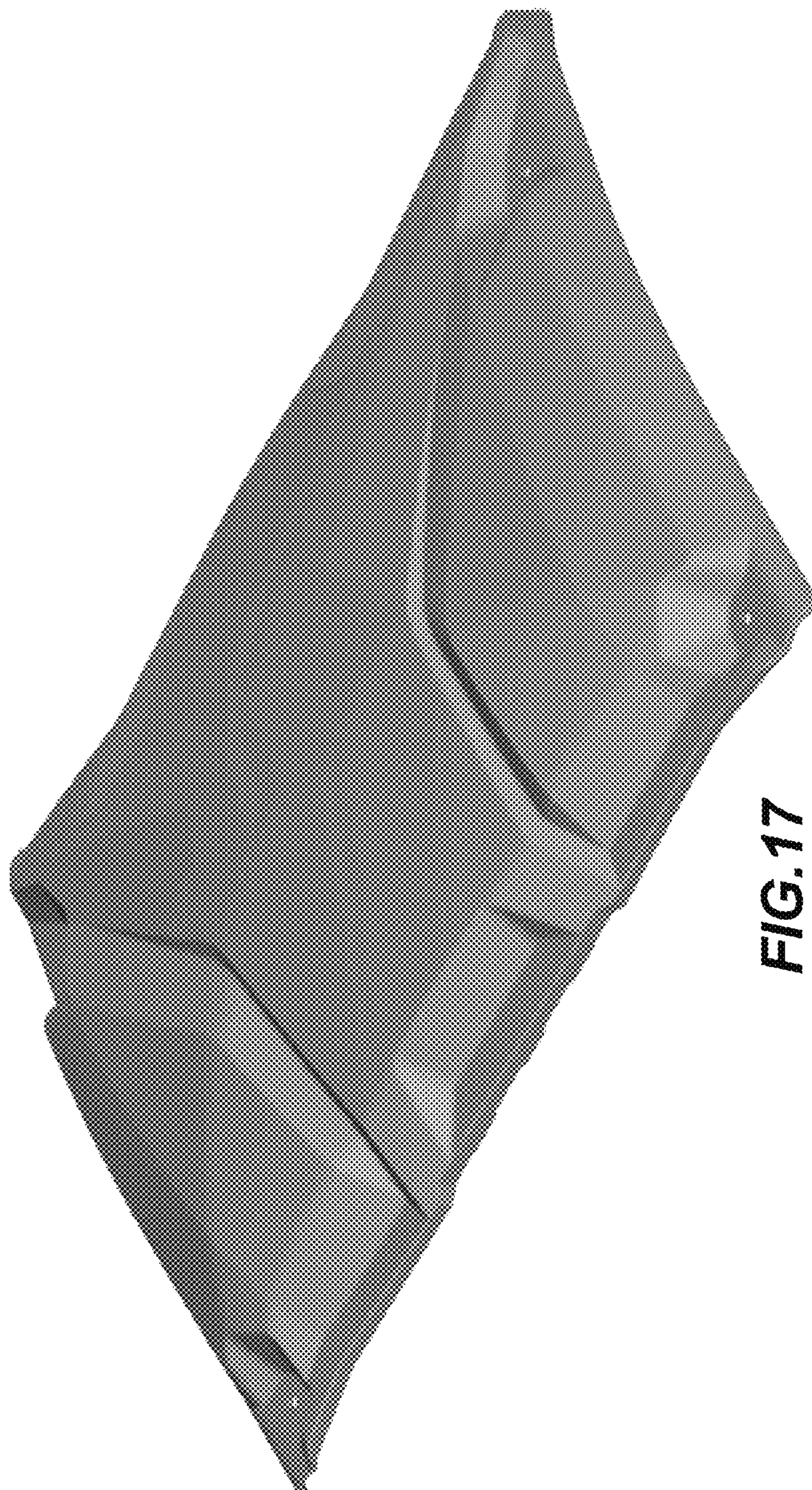


FIG.17

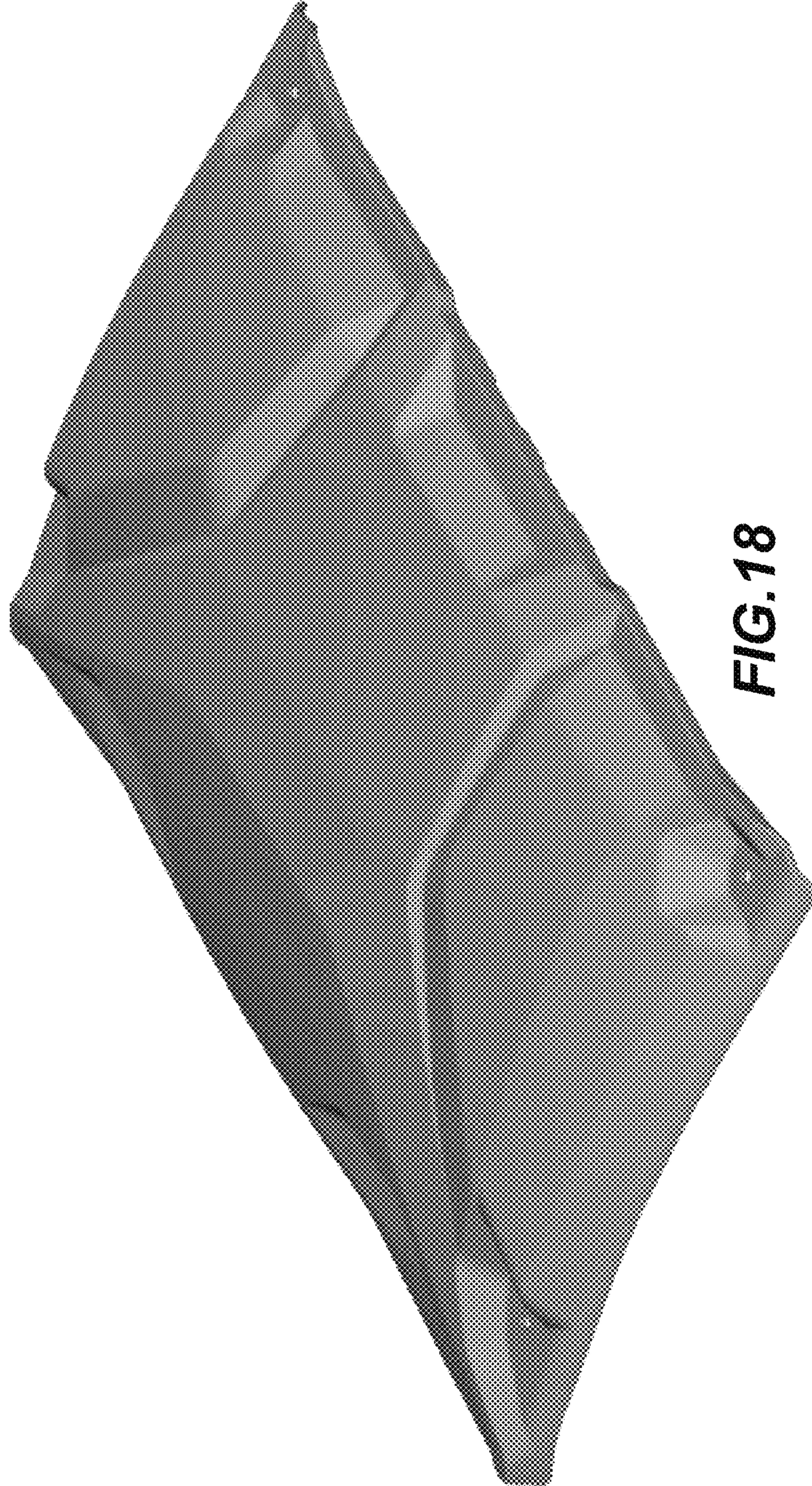


FIG.18

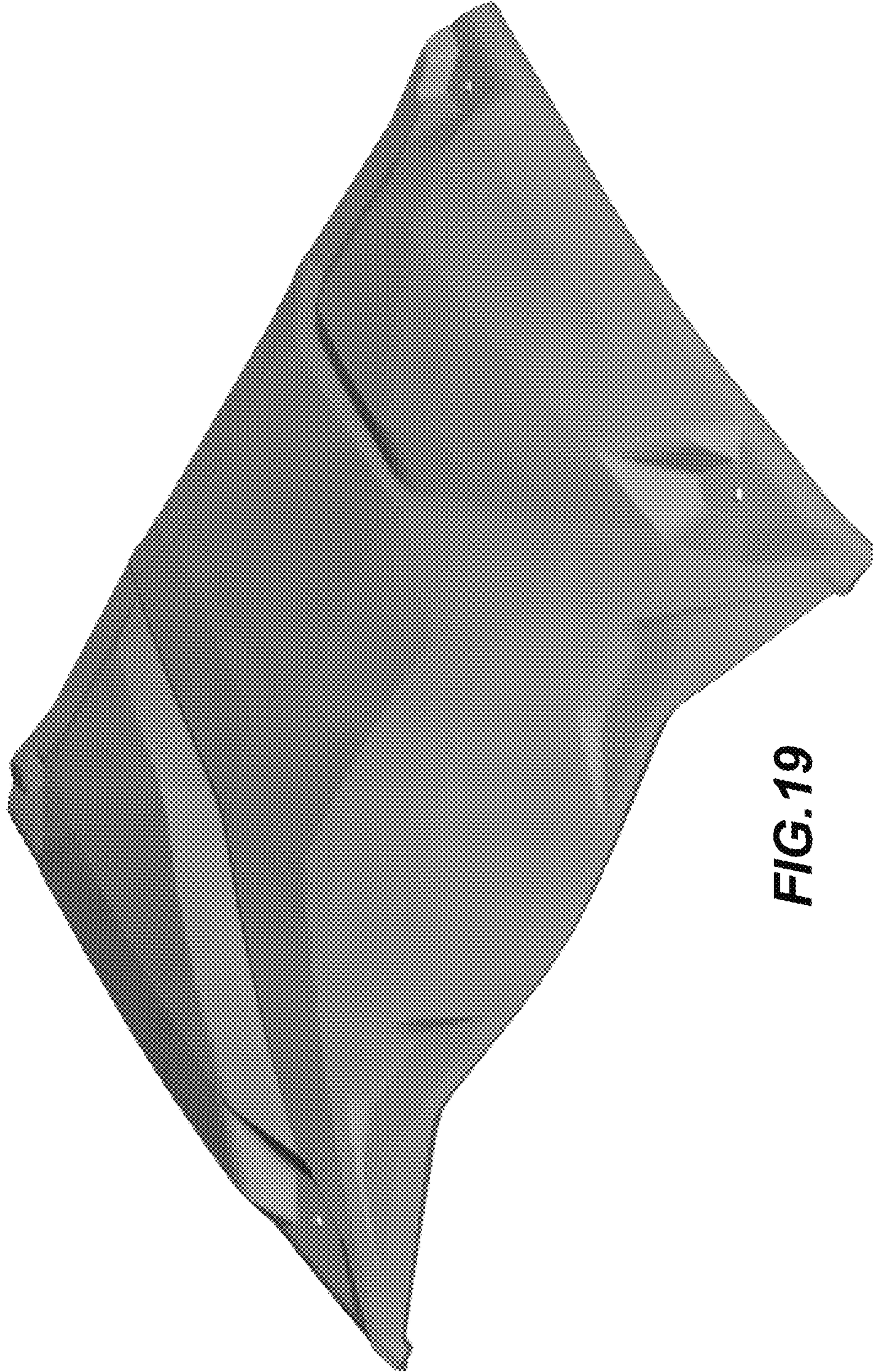


FIG. 19

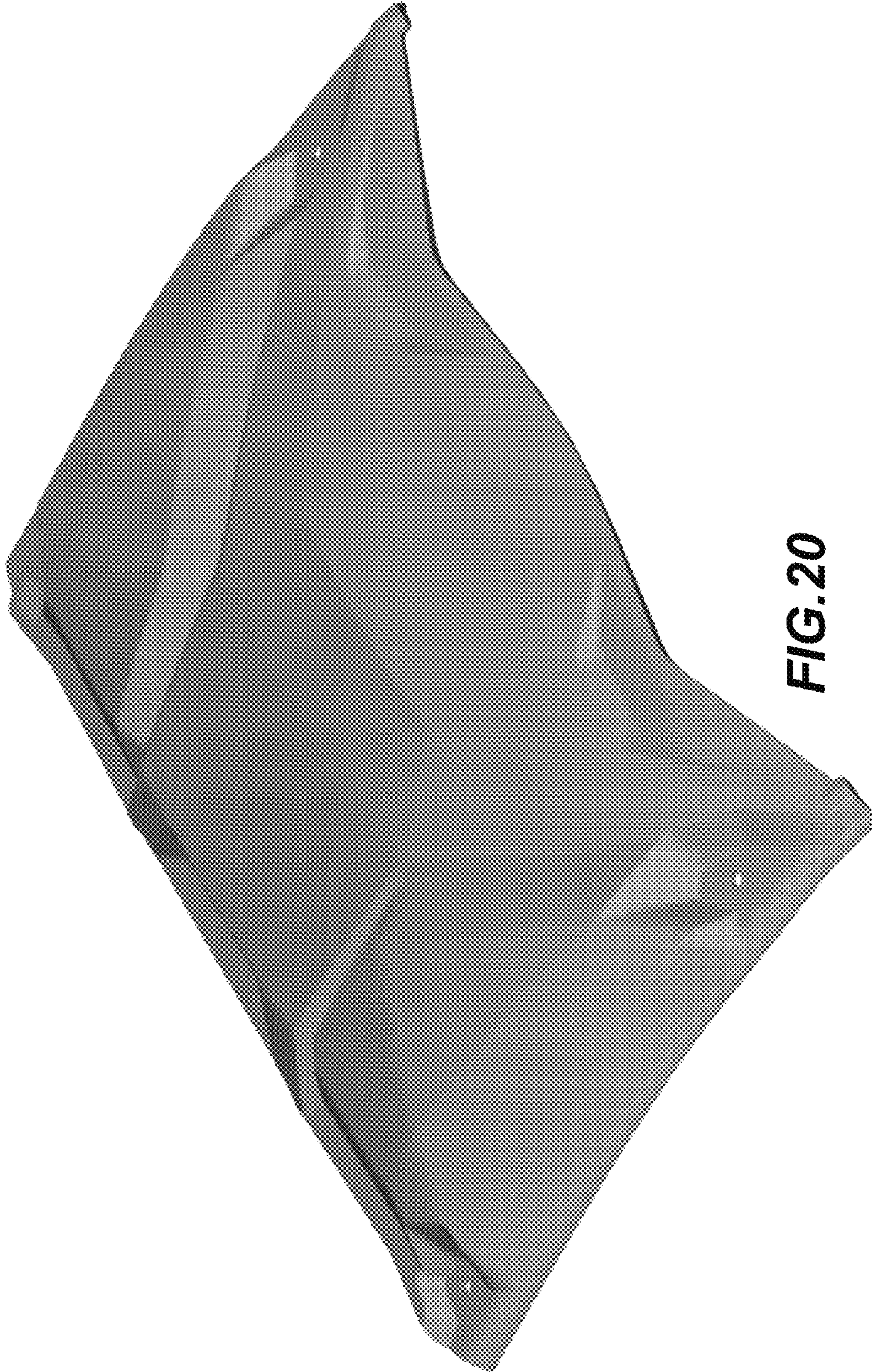


FIG. 20