



US00D926664S

(12) **United States Design Patent** (10) **Patent No.:** **US D926,664 S**
Loveland et al. (45) **Date of Patent:** **** Aug. 3, 2021**

(54) **AIRCRAFT**

(71) Applicant: **Textron Innovations Inc.**, Providence, RI (US)

(72) Inventors: **Steven Loveland**, Fort Worth, TX (US); **Paul Charles Griffiths**, Roanoke, TX (US); **Allen Brittain**, Flower Mound, TX (US)

(73) Assignee: **Textron Innovations Inc.**, Providence, RI (US)

(**) Term: **15 Years**

(21) Appl. No.: **29/735,956**

(22) Filed: **May 26, 2020**

Related U.S. Application Data

(63) Continuation of application No. 29/675,586, filed on Jan. 3, 2019, now Pat. No. Des. 887,948.

(51) **LOC (13) Cl.** **12-02**

(52) **U.S. Cl.**
USPC **D12/328**

(58) **Field of Classification Search**
USPC D12/1, 2, 3, 4, 16.1, 319-345;
D21/437-455, 436
CPC B64C 29/0033; B64C 2201/021; B64C 29/02; B64C 2201/088; B64C 2201/104; B64C 2201/141
See application file for complete search history.

(56) **References Cited**

U.S. PATENT DOCUMENTS

D196,213 S * 9/1963 Paxhia D12/330
3,360,217 A * 12/1967 Trotter B64C 29/0033
244/12.4
4,804,155 A * 2/1989 Strumbos B64C 25/423
244/12.6

(Continued)

Primary Examiner — Marissa J Cash

(74) *Attorney, Agent, or Firm* — Lightfoot & Alford PLLC

(57) **CLAIM**

The ornamental design for an aircraft, as shown and described.

DESCRIPTION

FIG. 1 is an oblique view of an aircraft having a plurality of ducted fans configured in a first position.

FIG. 2 is a front elevational view of the aircraft as configured in FIG. 1.

FIG. 3 is a rear elevational view of the aircraft as configured in FIG. 1.

FIG. 4 is a left side elevational view of the aircraft as configured in FIG. 1.

FIG. 5 is a right side elevational view of the aircraft as configured in FIG. 1.

FIG. 6 is a top plan view of the aircraft as configured in FIG. 1.

FIG. 7 is a bottom plan view of the aircraft as configured in FIG. 1.

FIG. 8 is an oblique view of the aircraft of FIG. 1 having the ducted fans configured in a second position.

FIG. 9 is a front elevational view of the aircraft as configured in FIG. 8.

FIG. 10 is a rear elevational view of the aircraft as configured in FIG. 8.

FIG. 11 is a left side elevational view of the aircraft as configured in FIG. 8.

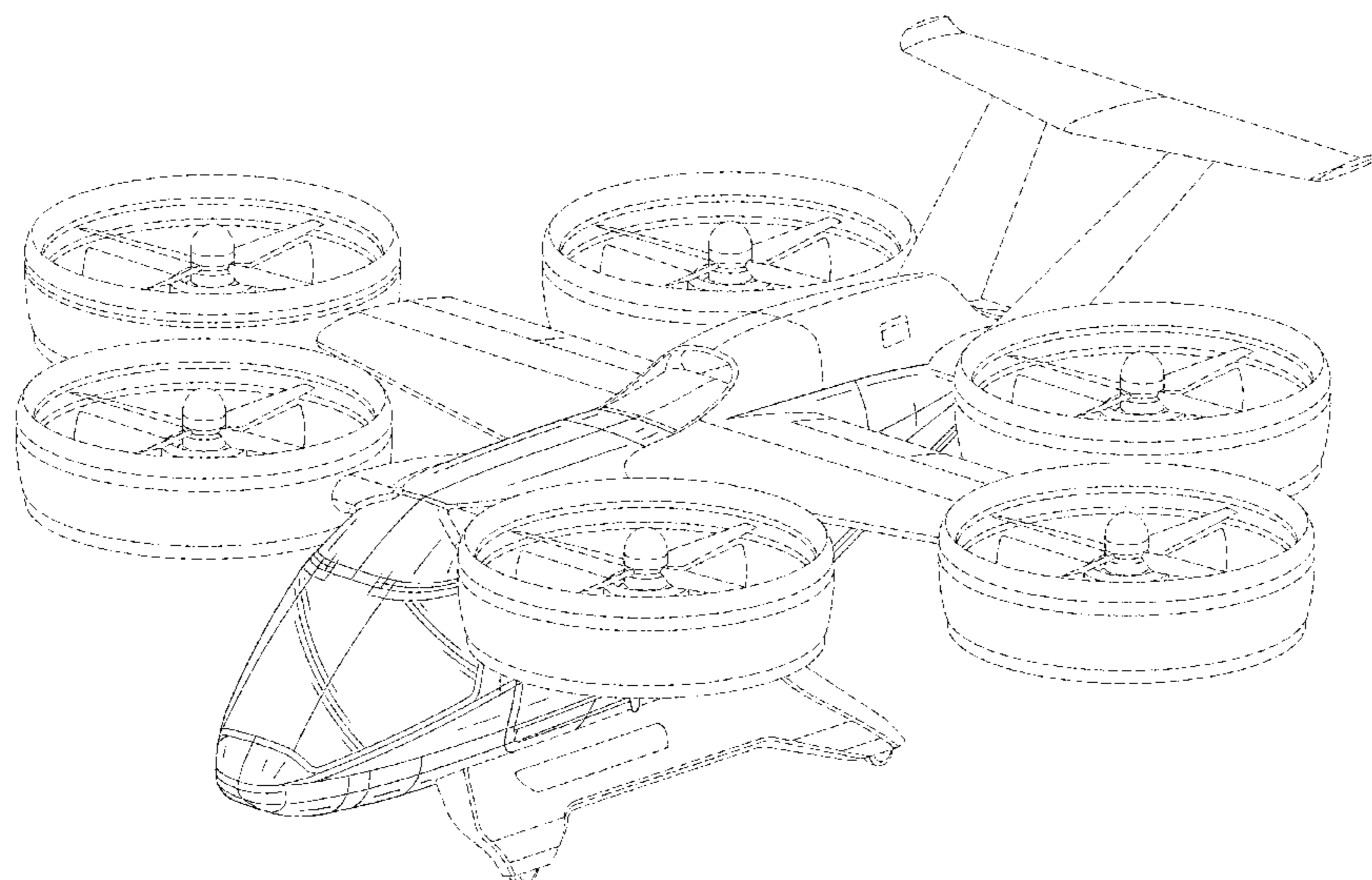
FIG. 12 is a right side elevational view of the aircraft as configured in FIG. 8.

FIG. 13 is a top plan view of the aircraft as configured in FIG. 8; and,

FIG. 14 is a bottom plan view of the aircraft as configured in FIG. 8.

The broken lines in the figures show portions of the aircraft that form no part of the claimed design.

1 Claim, 14 Drawing Sheets



(56)

References Cited

U.S. PATENT DOCUMENTS

4,848,702 A * 7/1989 Riggins B64C 25/54
244/105
D454,109 S * 3/2002 Moshier D12/319
D779,595 S * 2/2017 Xiao D12/16.1
D801,856 S * 11/2017 Zhou D12/16.1
D803,724 S * 11/2017 Zhou D12/16.1
D809,970 S * 2/2018 Zhou D12/16.1
D816,547 S * 5/2018 Cui D12/16.1
D816,583 S * 5/2018 Dutertre D12/328
D822,579 S * 7/2018 Lienhard D12/328
10,421,541 B2 * 9/2019 Groninga B64C 3/385
D872,004 S * 1/2020 Nunes D12/328
D872,681 S * 1/2020 Tzarnotzky D12/329
D887,948 S * 6/2020 Loveland D12/328
D894,814 S * 9/2020 Kooiman D12/327
D902,828 S * 11/2020 Tao B64C 11/32
D12/326
2012/0012692 A1 * 1/2012 Kroo B64C 3/56
244/6
2012/0234968 A1 * 9/2012 Smith B64C 29/0033
244/12.3
2018/0057157 A1 * 3/2018 Groninga B64C 27/82
2020/0239137 A1 * 7/2020 Regev B64C 29/0033

* cited by examiner

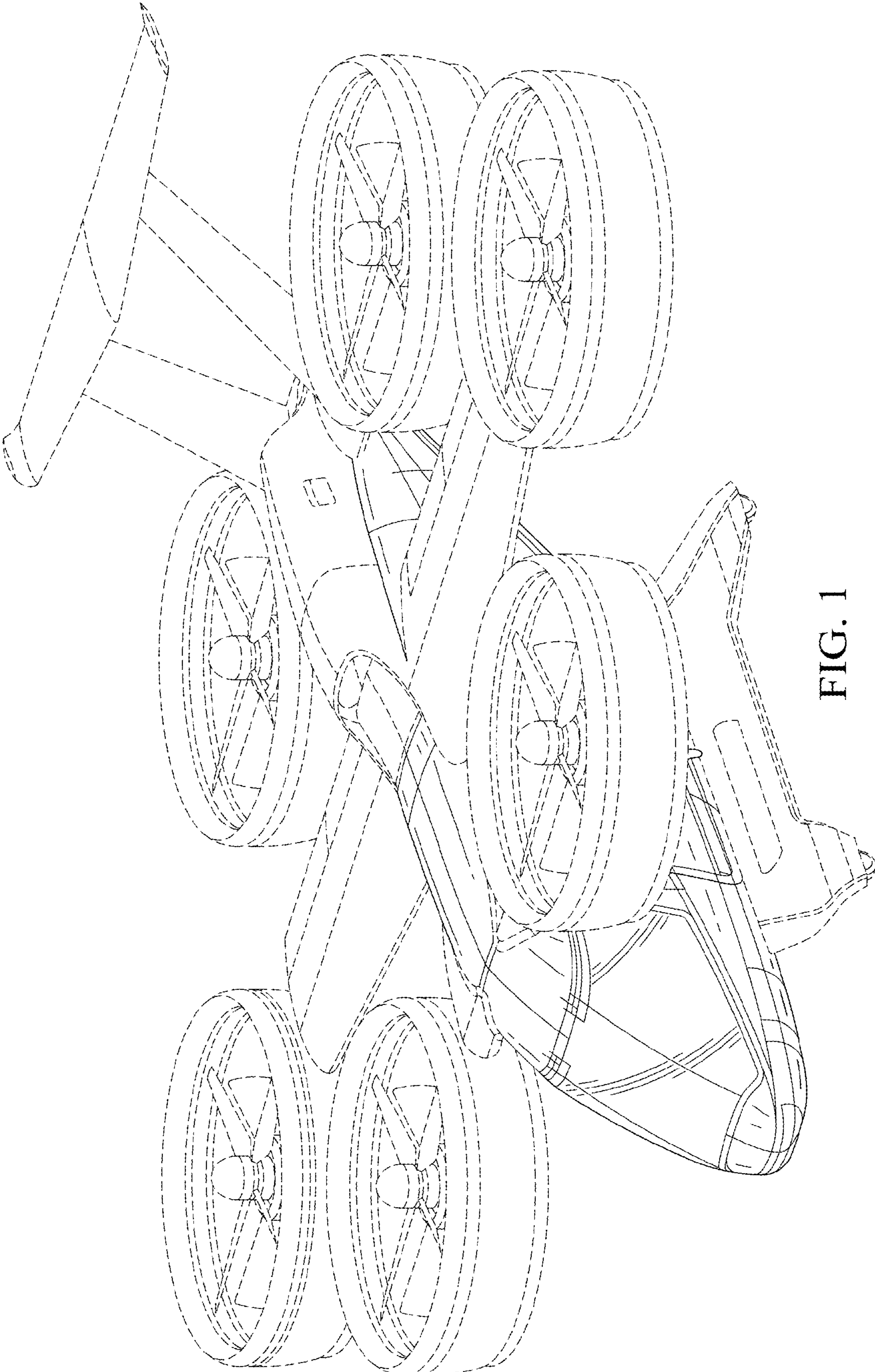


FIG. 1

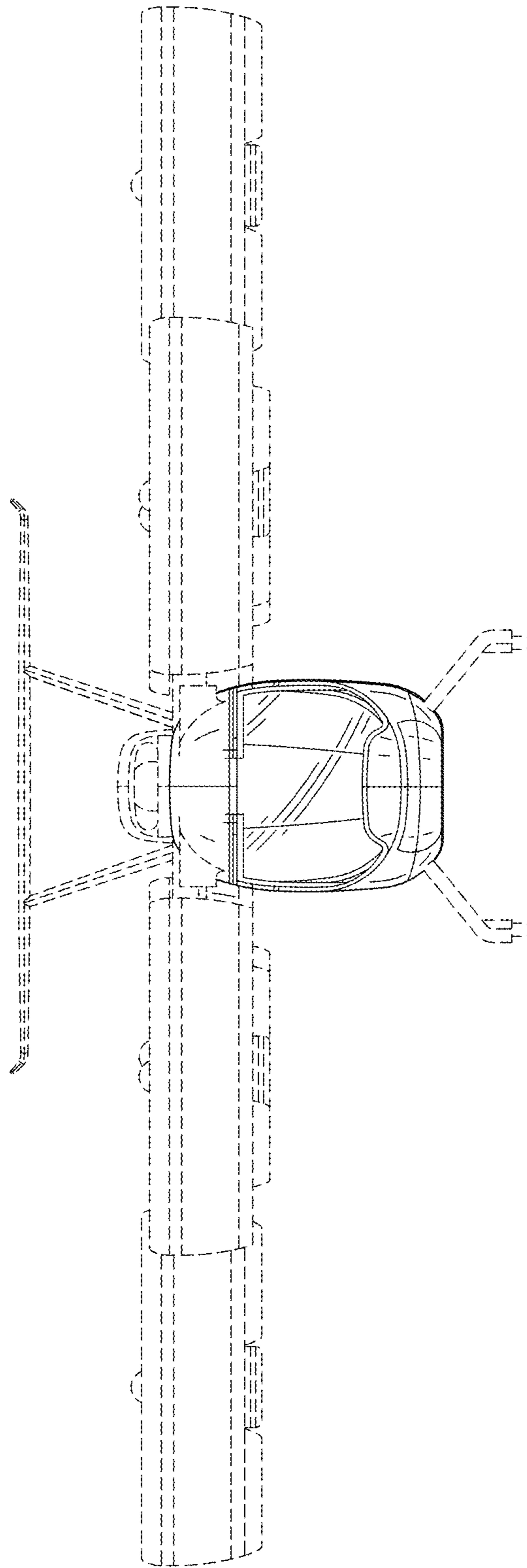


FIG. 2

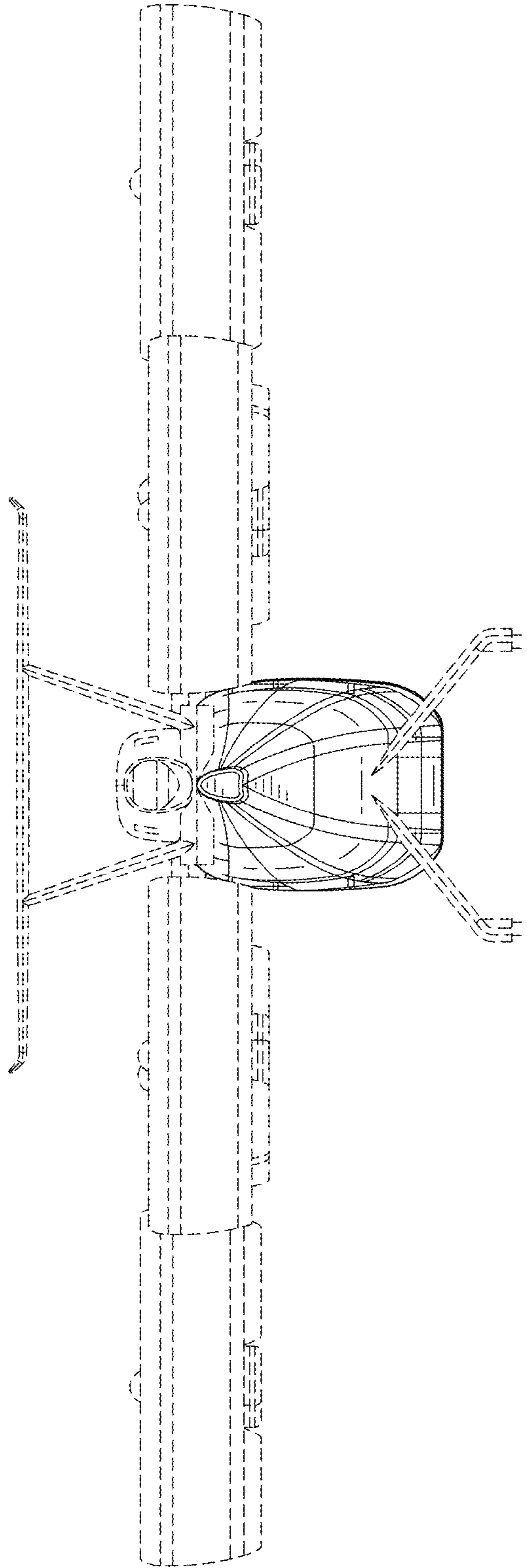


FIG. 3

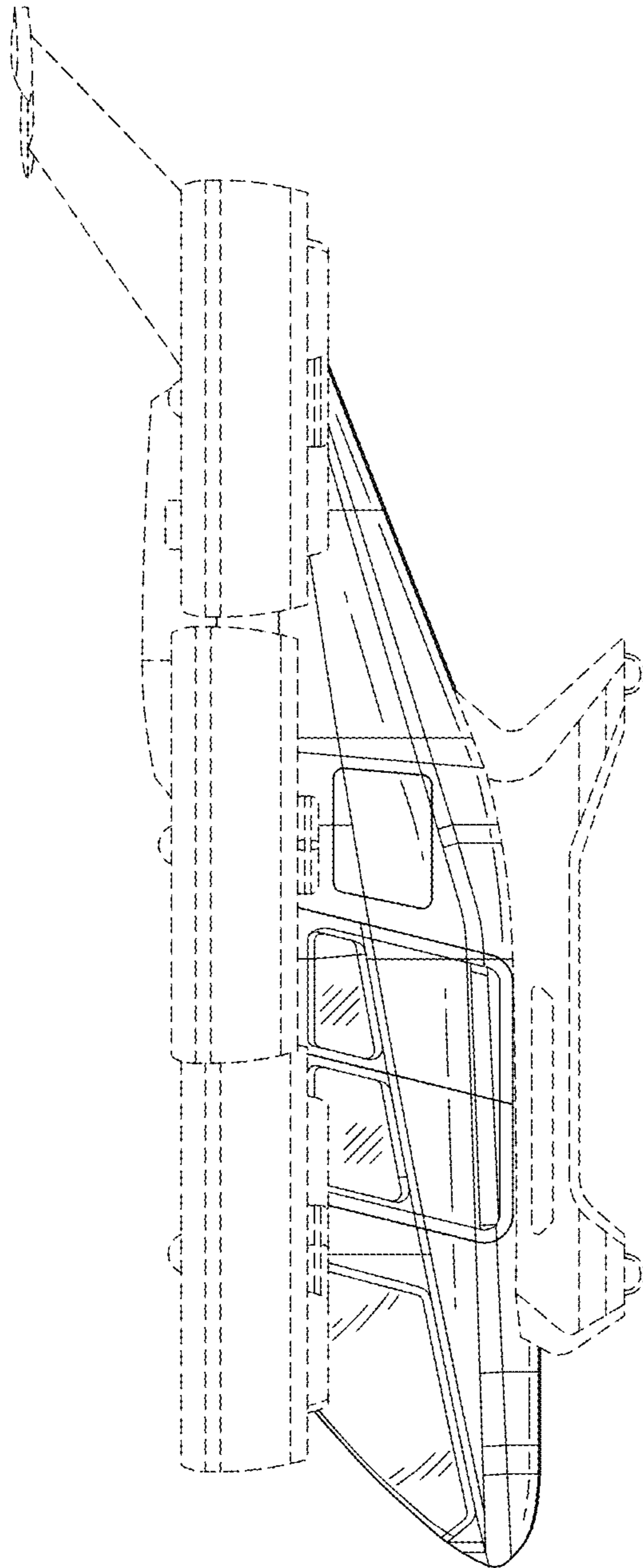


FIG. 4

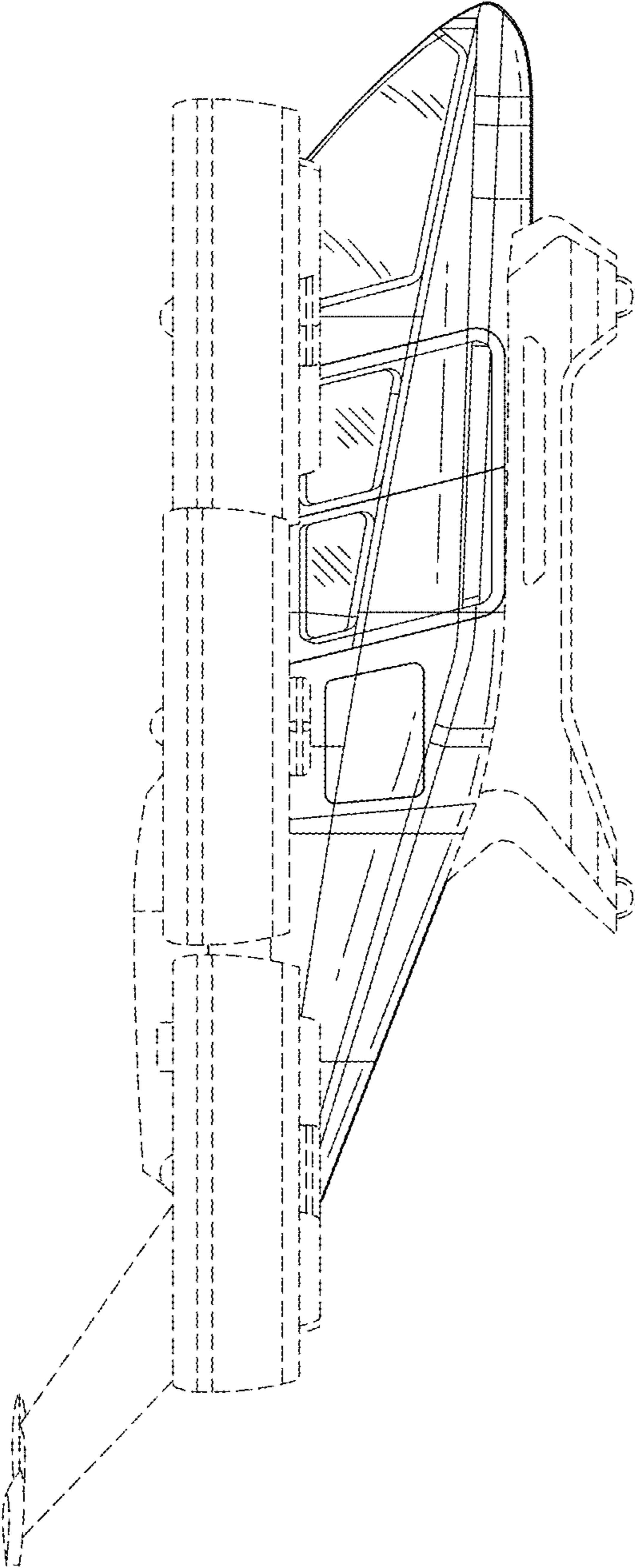


FIG. 5

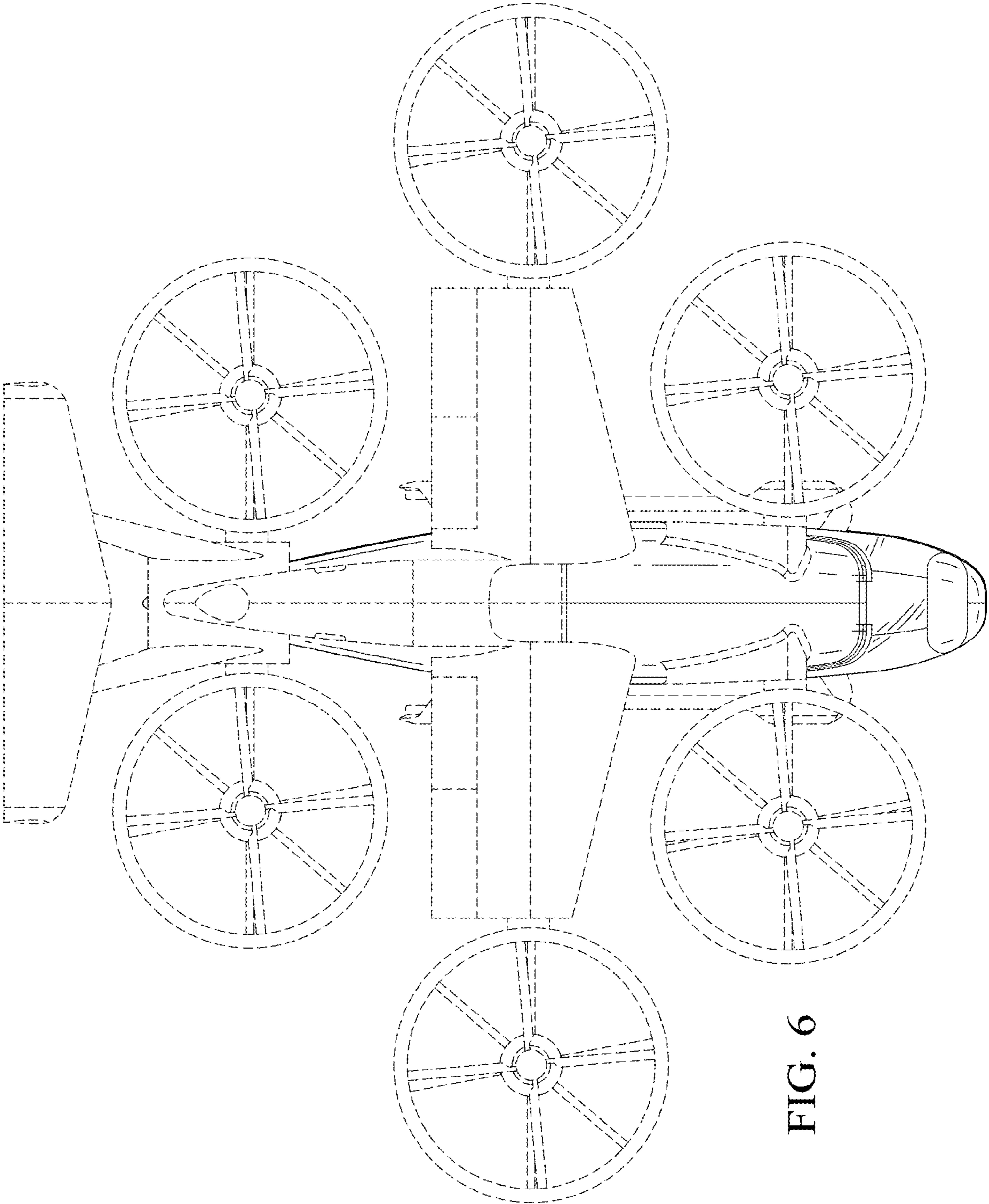


FIG. 6

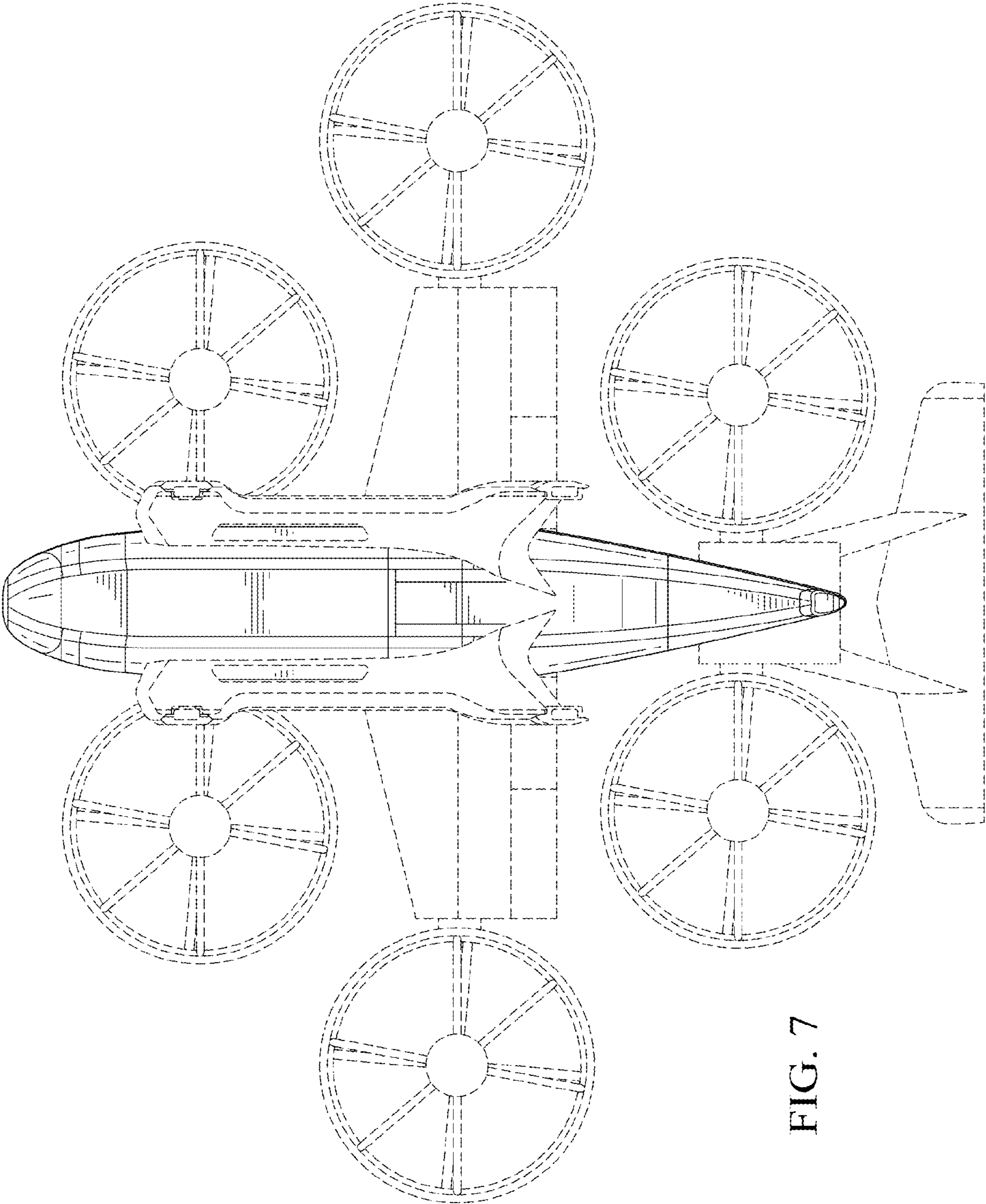


FIG. 7

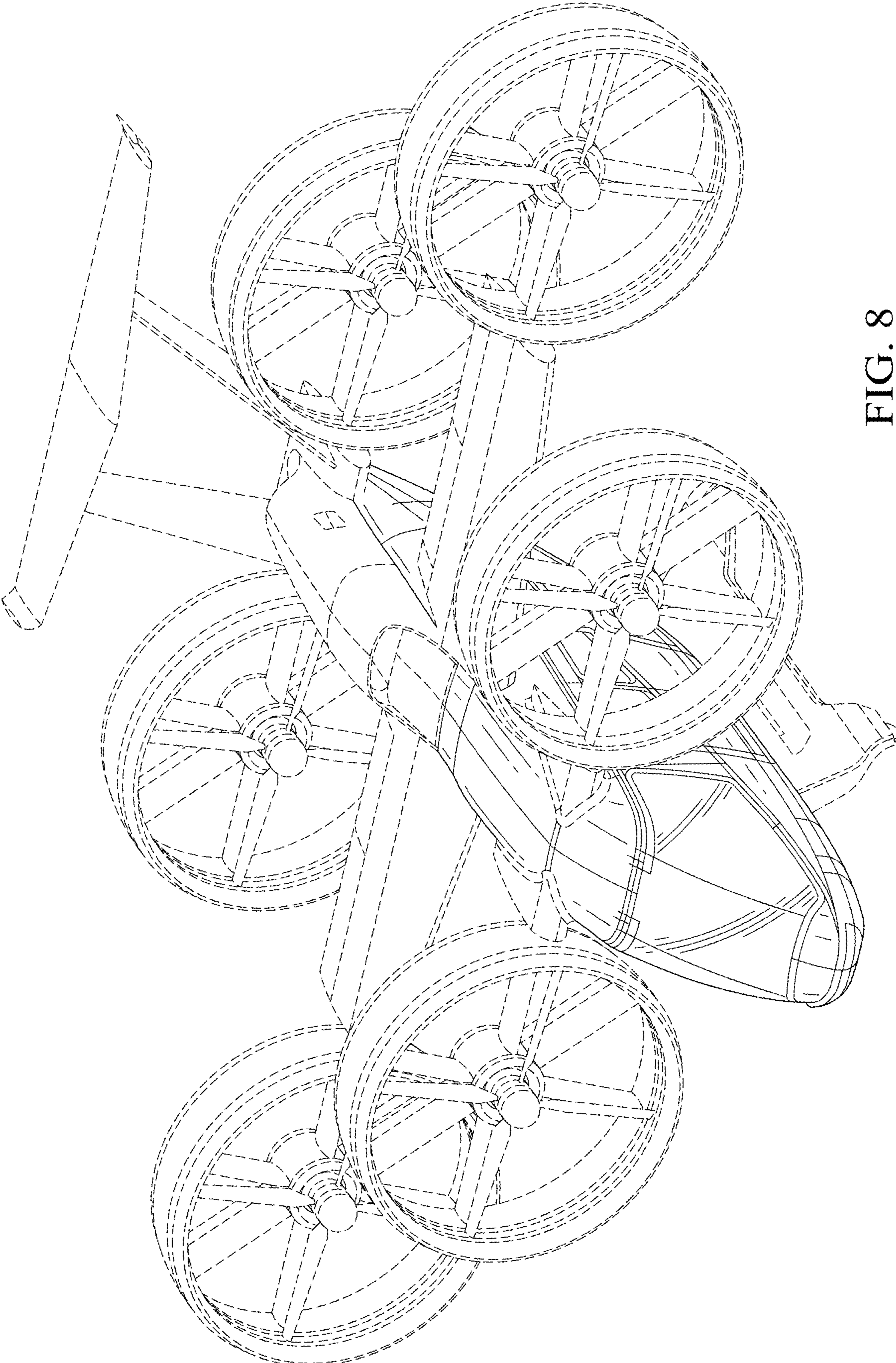


FIG. 8

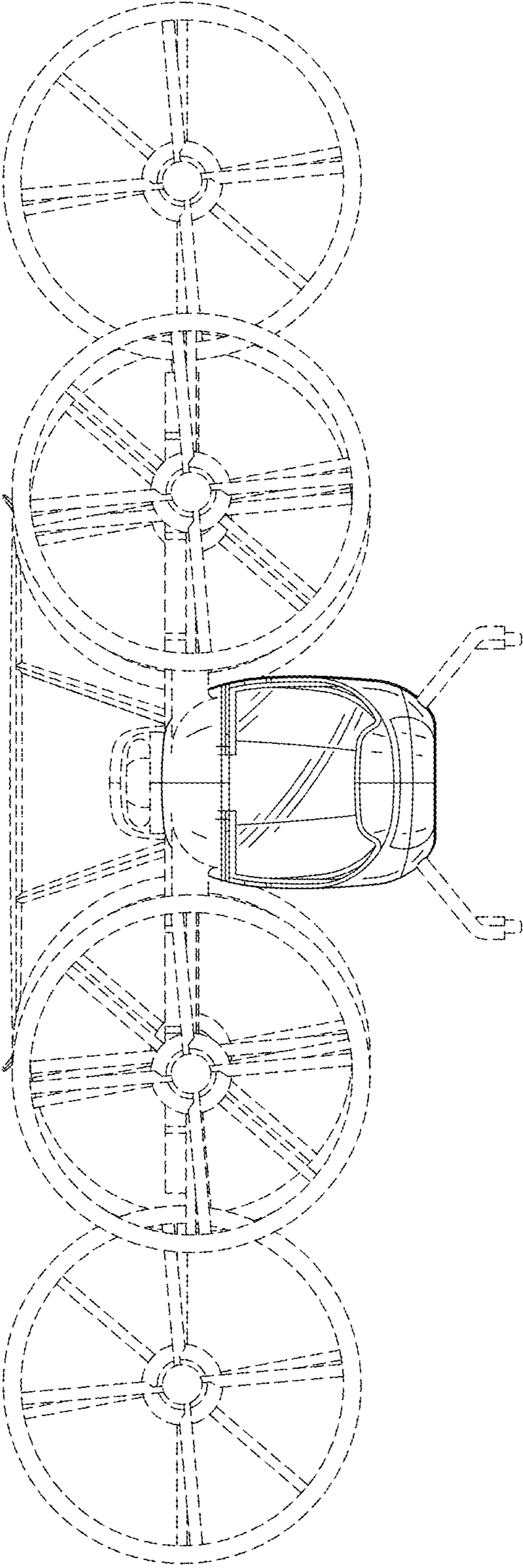


FIG. 9

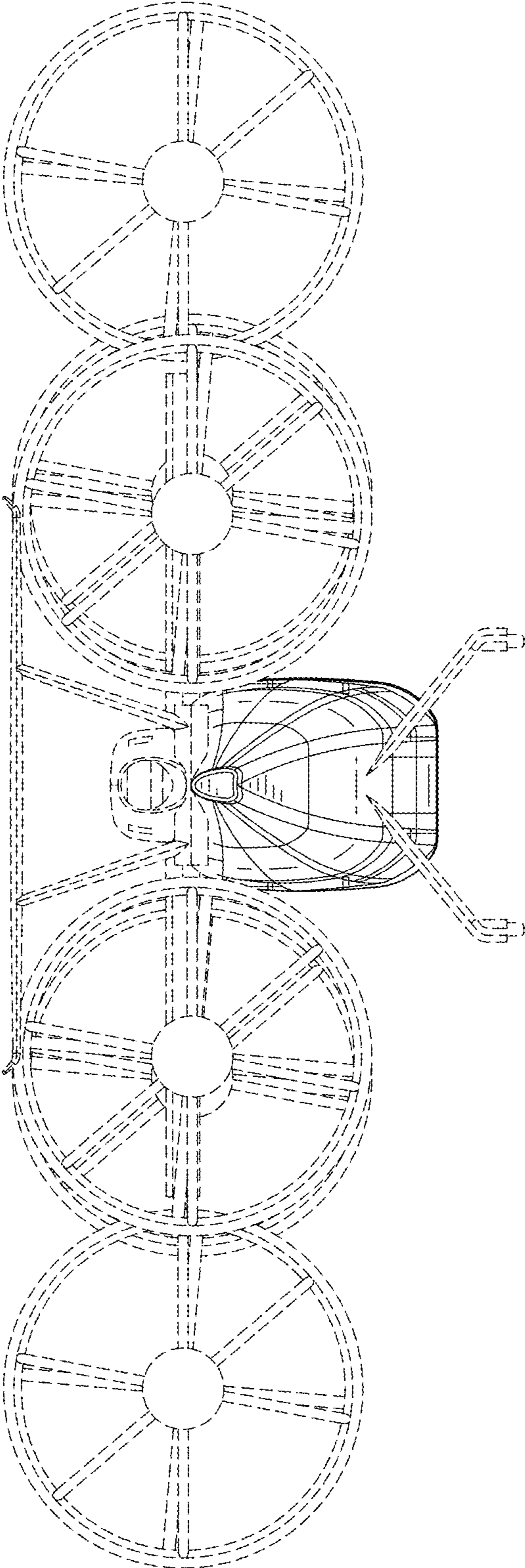


FIG. 10

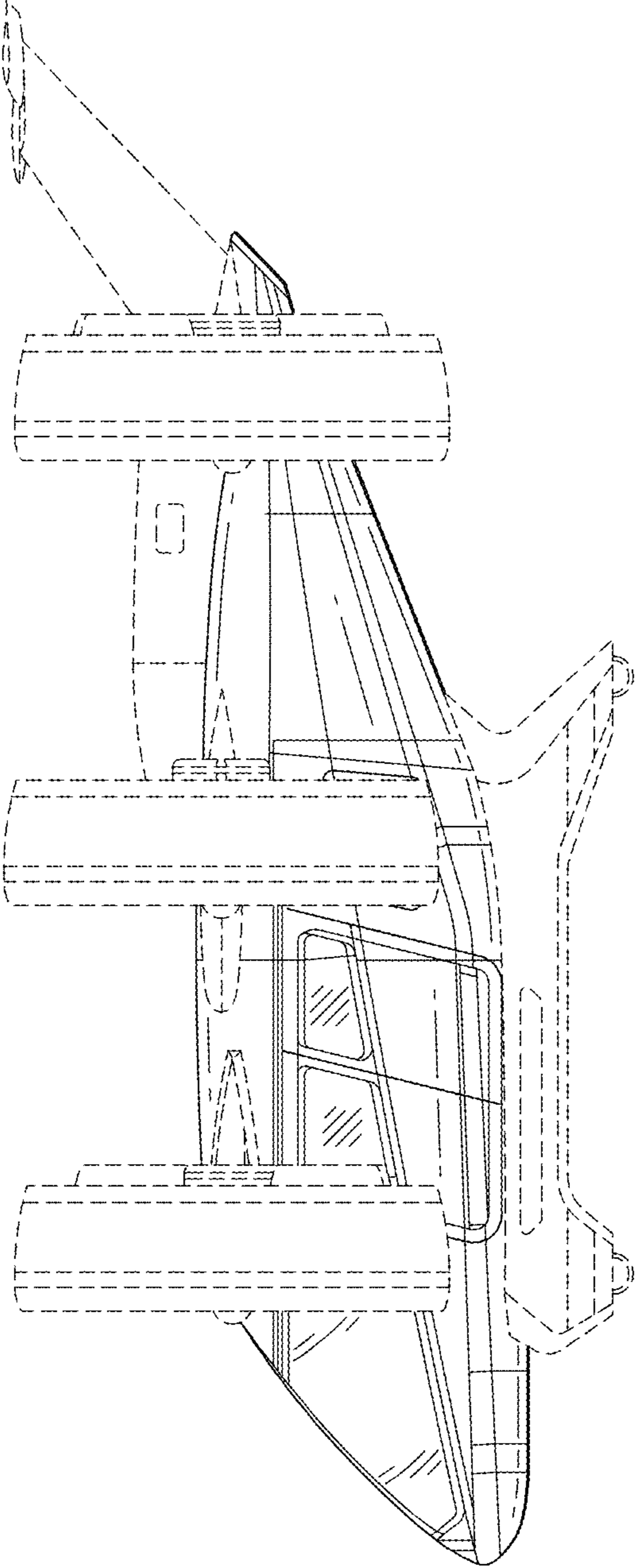


FIG. 11

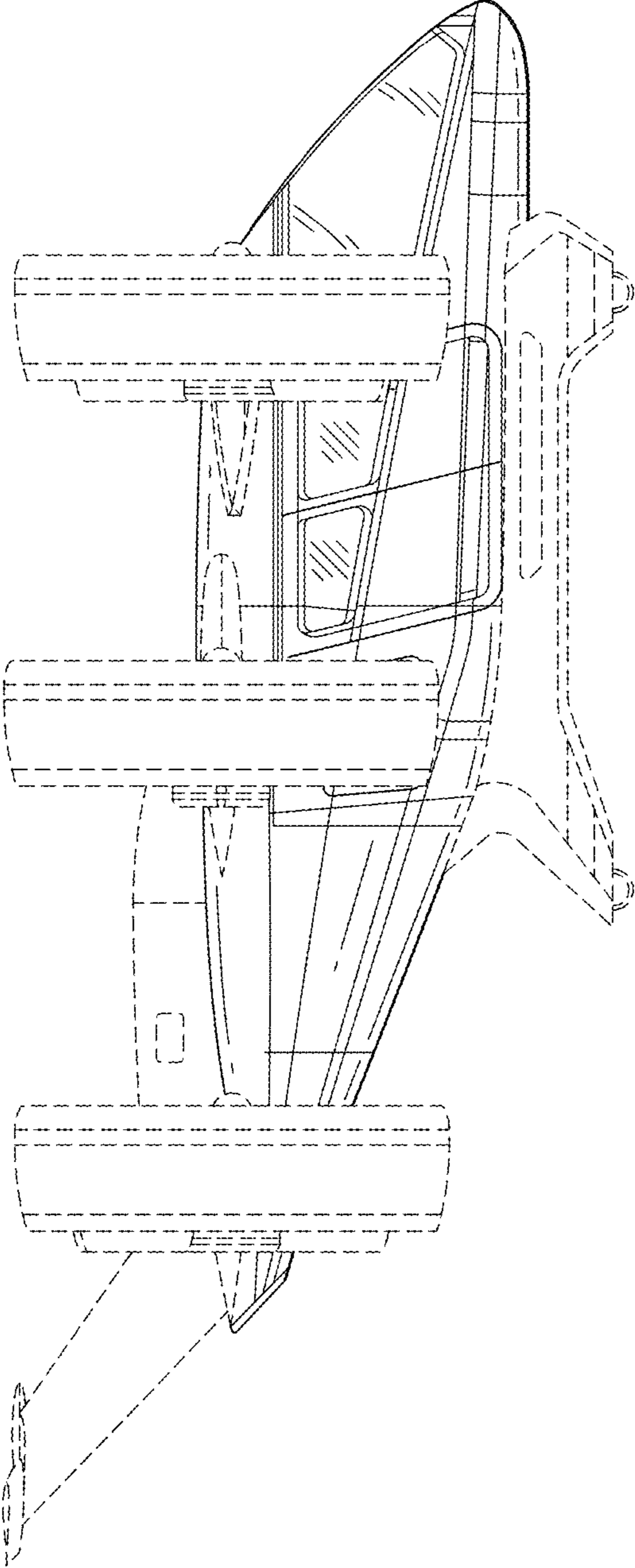


FIG. 12

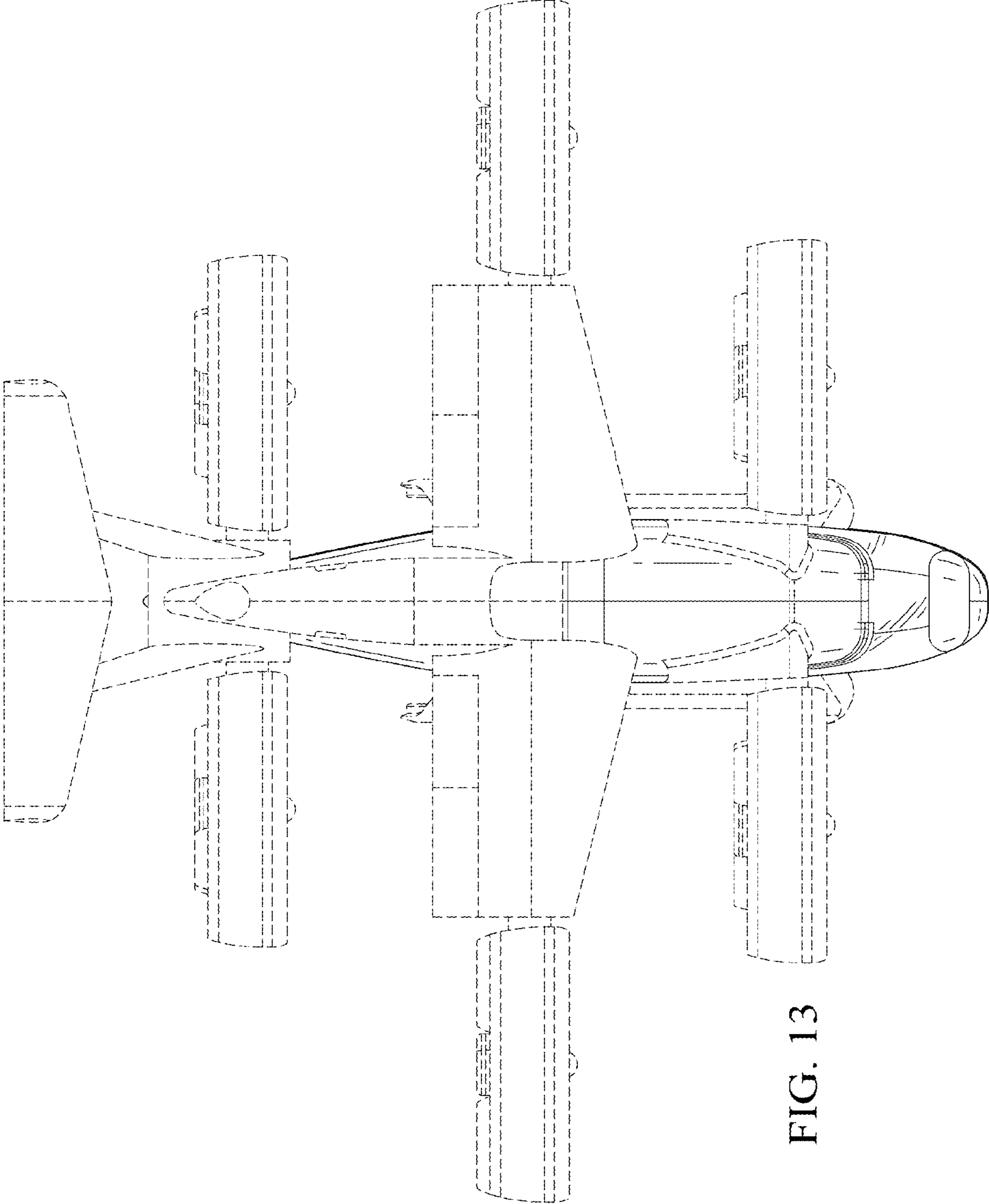


FIG. 13

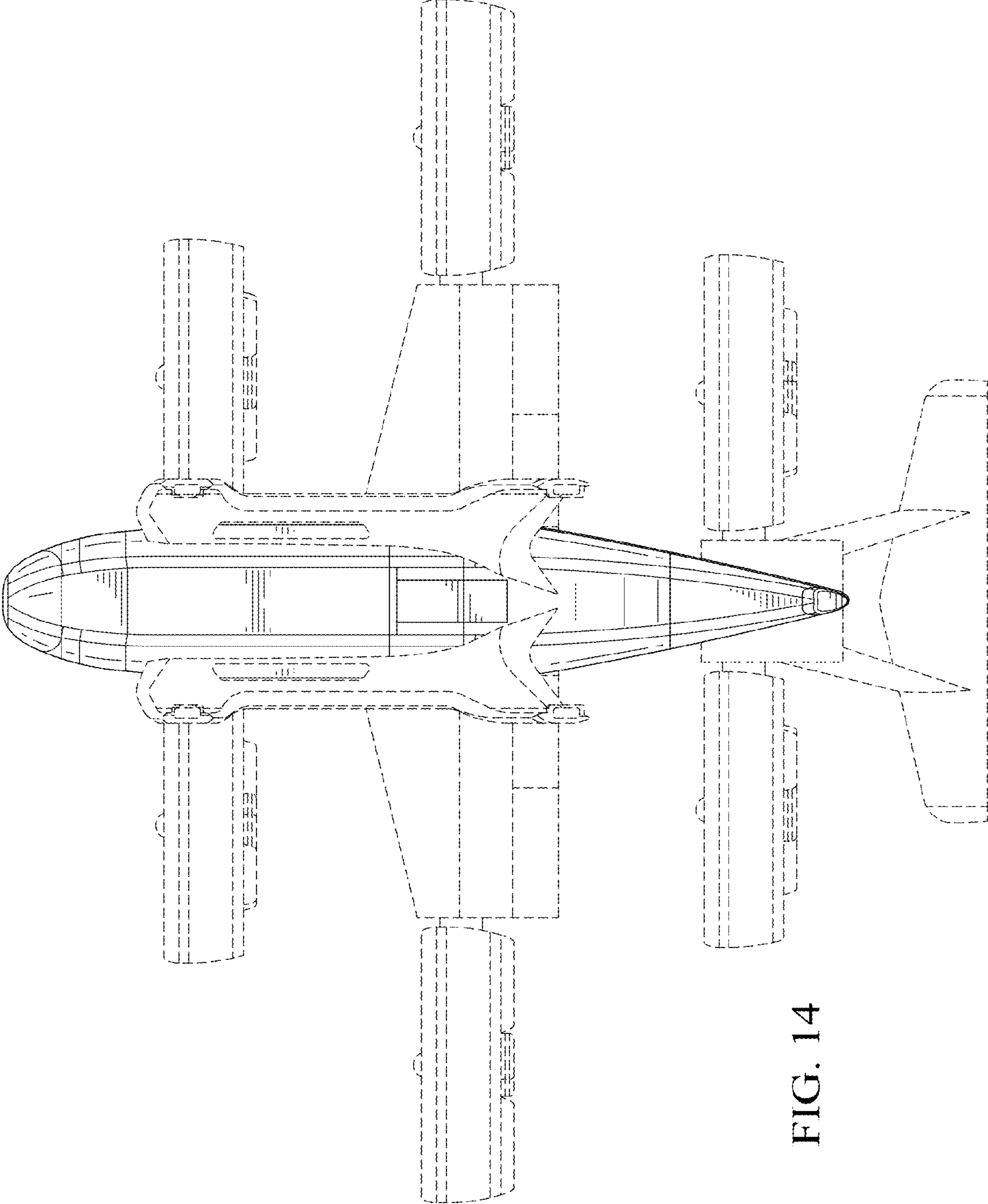


FIG. 14