



US00D926663S

(12) **United States Design Patent**
Hagemeister et al.

(10) **Patent No.:** **US D926,663 S**

(45) **Date of Patent:** **** Aug. 3, 2021**

(54) **AIRCRAFT WITH FLOATS**

(71) Applicant: **Textron Aviation Inc.**, Wichita, KS
(US)

(72) Inventors: **Corey Hagemeister**, Wichita, KS (US);
Mark Alan Hughes, Towanda, KS
(US)

(73) Assignee: **Textron Innovations, Inc.**, Providence,
RI (US)

(**) Term: **15 Years**

(21) Appl. No.: **29/717,185**

(22) Filed: **Dec. 16, 2019**

(51) **LOC (13) Cl.** **12-07**

(52) **U.S. Cl.**
USPC **D12/324**

(58) **Field of Classification Search**
USPC D12/1, 2, 3, 4, 16.1, 174, 319–345;
D21/436–455; D13/109
CPC B64C 29/0033; B64C 2201/021; B64C
29/02; B64C 2201/088; B64C 2201/104;
B64C 2201/141
See application file for complete search history.

(56) **References Cited**

U.S. PATENT DOCUMENTS

- 4,848,702 A * 7/1989 Riggins B64C 25/54
244/105
- D303,950 S * 10/1989 Burgess D12/324
- D317,287 S * 6/1991 Haga D12/328
- D352,493 S * 11/1994 Krojer D12/337

- D618,591 S * 6/2010 Nagapetyan D12/3
- D620,838 S * 8/2010 Miralles D12/3
- D739,807 S * 9/2015 Strand D12/324
- 10,532,812 B2 * 1/2020 DiClemente B64C 35/001
- 2020/0031464 A1 * 1/2020 Shafir B64C 17/02

OTHER PUBLICATIONS

AfricaAir Textron article [Dec. 19, 2019] found online [Nov. 17, 2020]—<https://africaair.com/textron-aviation-marks-successful-wing-and-fuselage-mate-of-the-first-cessna-skycourier-aircraft-begins-next-phase-in-development/>.*

* cited by examiner

Primary Examiner — John A Voytek

(74) *Attorney, Agent, or Firm* — Erise IP, P.A.

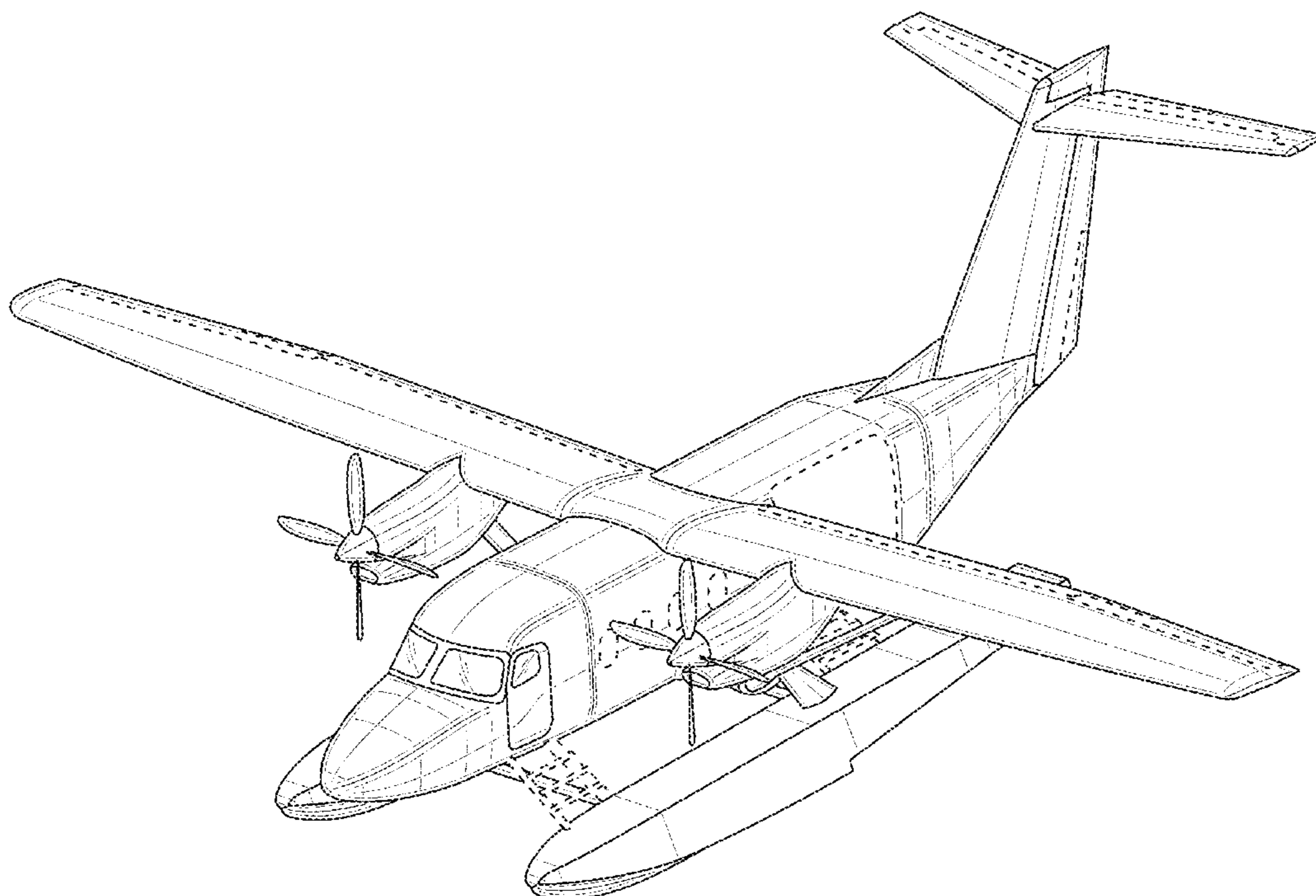
(57) **CLAIM**

The ornamental design for an aircraft with floats, as shown and described.

DESCRIPTION

FIG. 1 is a top perspective view;
FIG. 2 is a front view;
FIG. 3 is a back view;
FIG. 4 is a right side view;
FIG. 5 is a left side view;
FIG. 6 is a top view;
FIG. 7 is a bottom view; and,
FIG. 8 is a bottom perspective view.
The broken lines in the drawings show portions of the aircraft with floats that form no part of the claimed design.

1 Claim, 8 Drawing Sheets



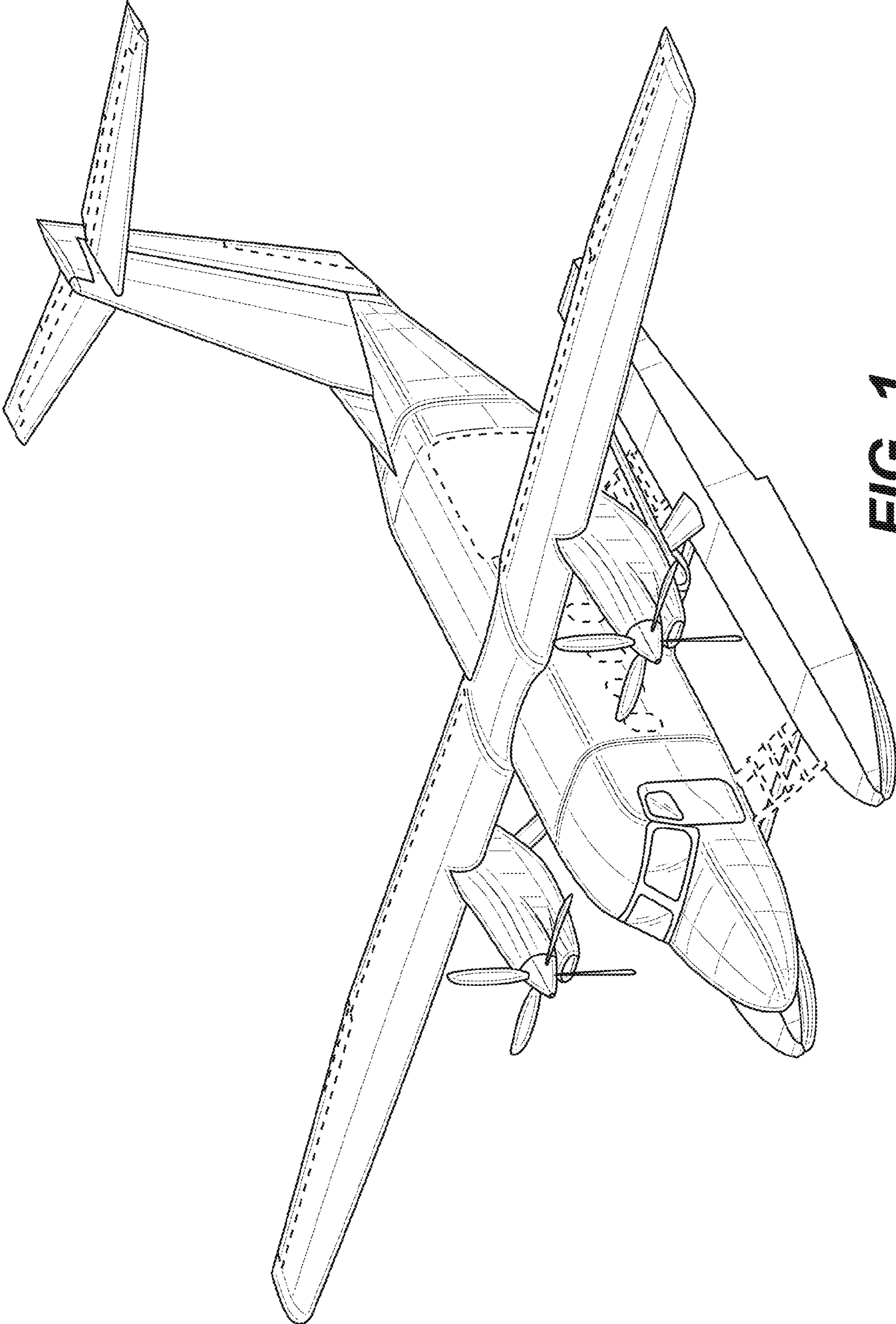


FIG. 1

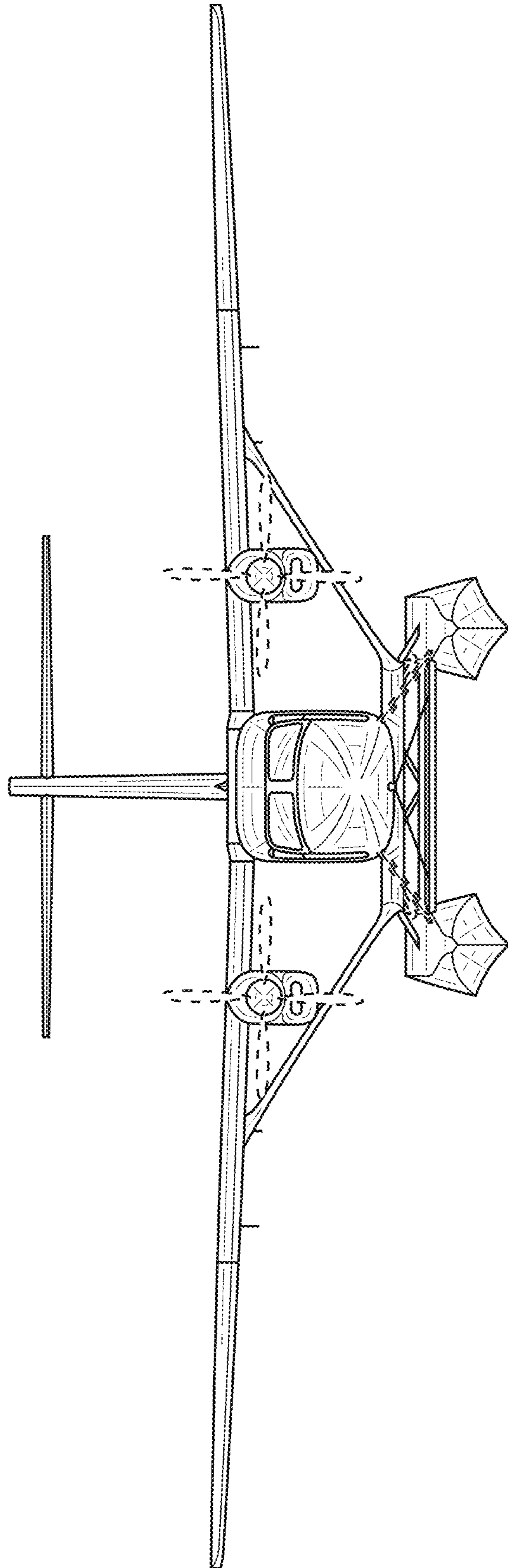


FIG. 2

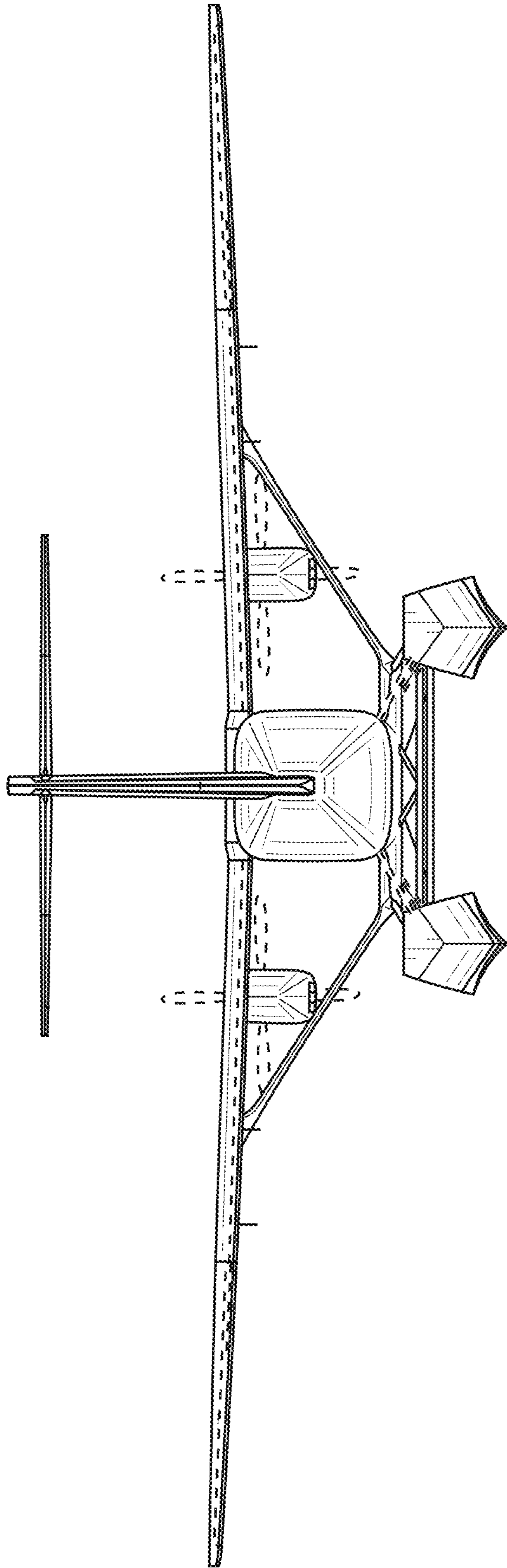


FIG. 3

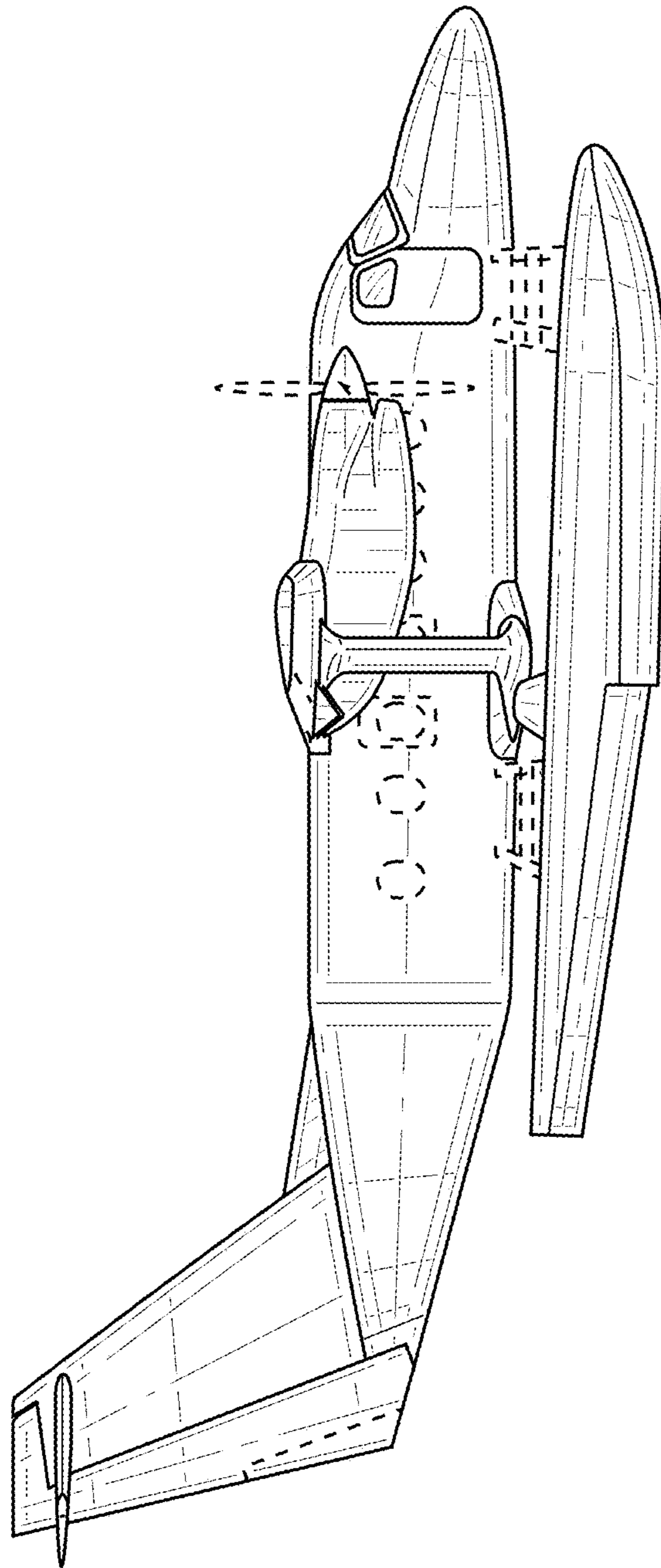


FIG. 4

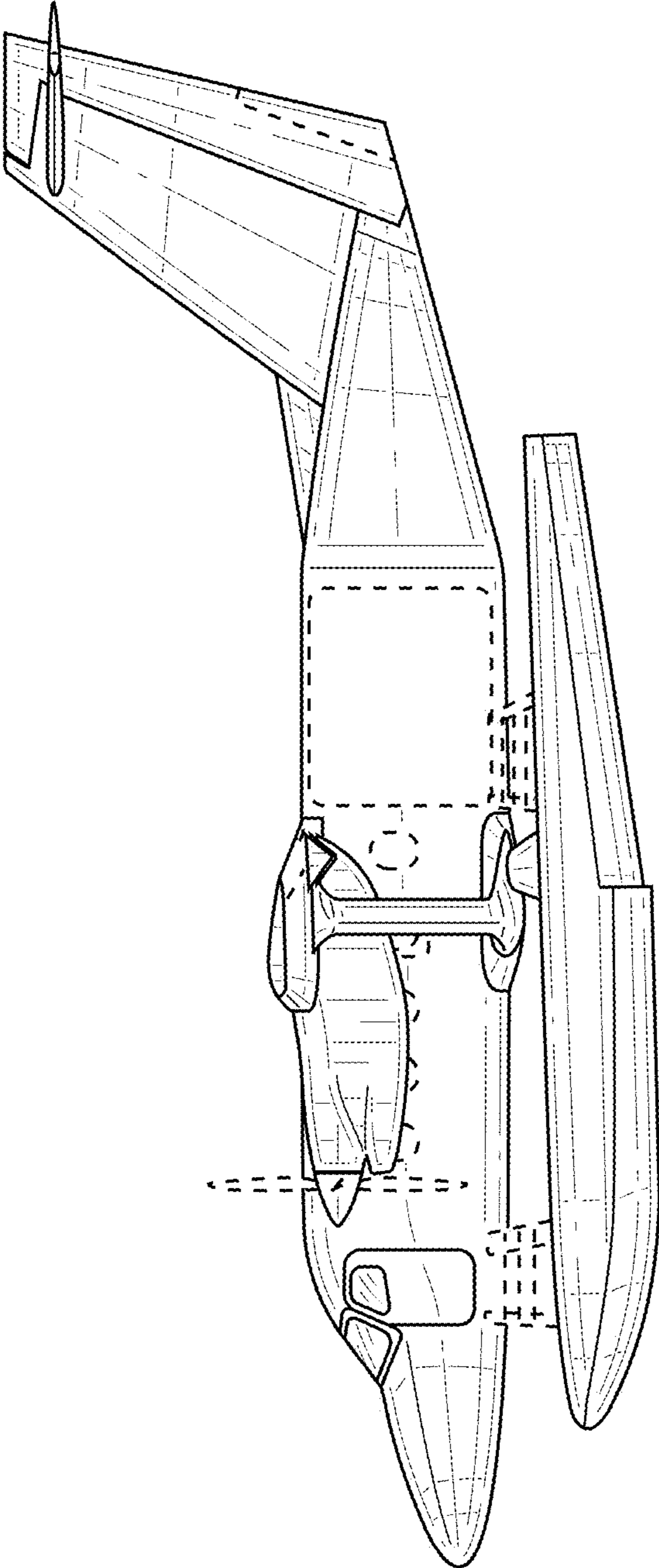


FIG. 5

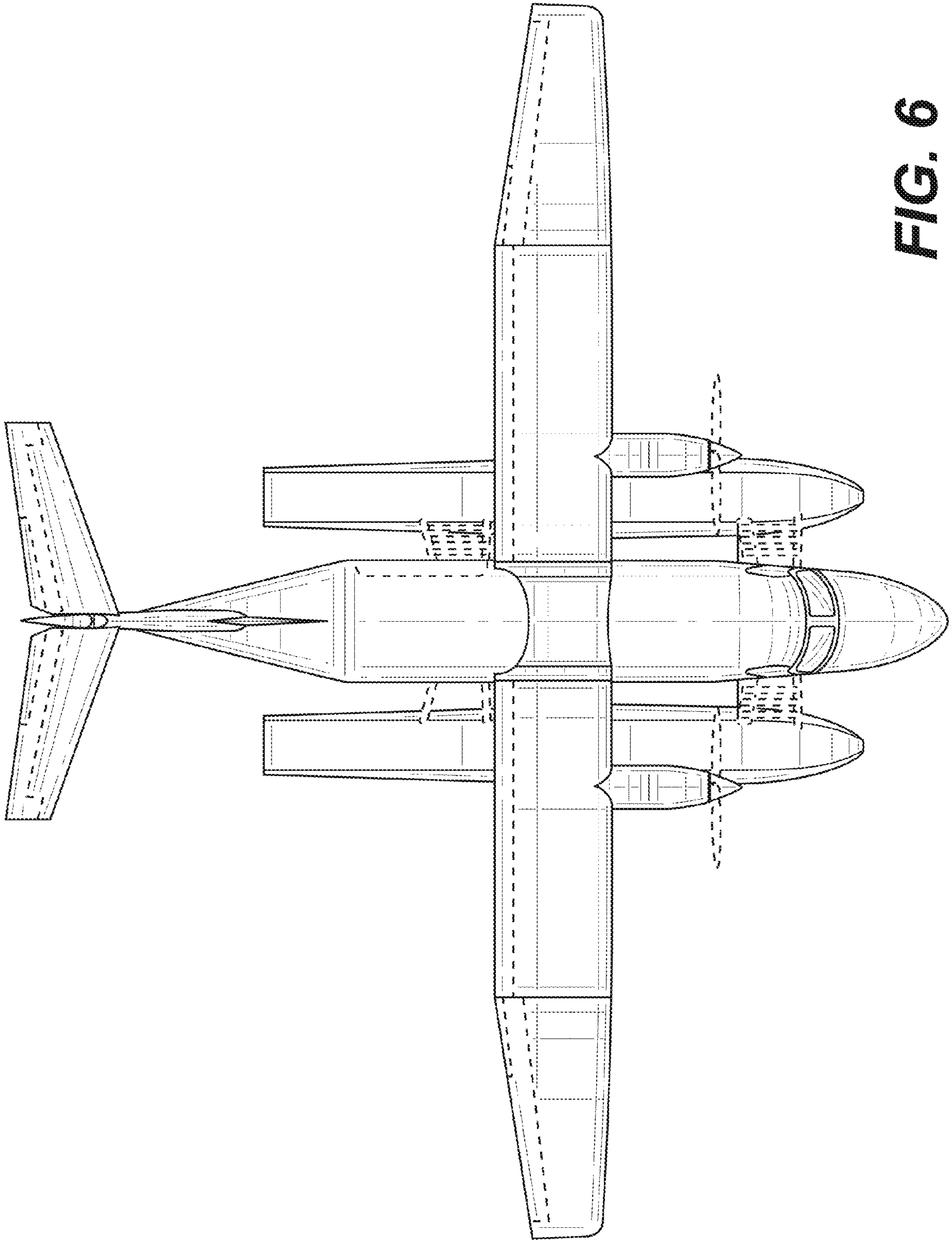


FIG. 6

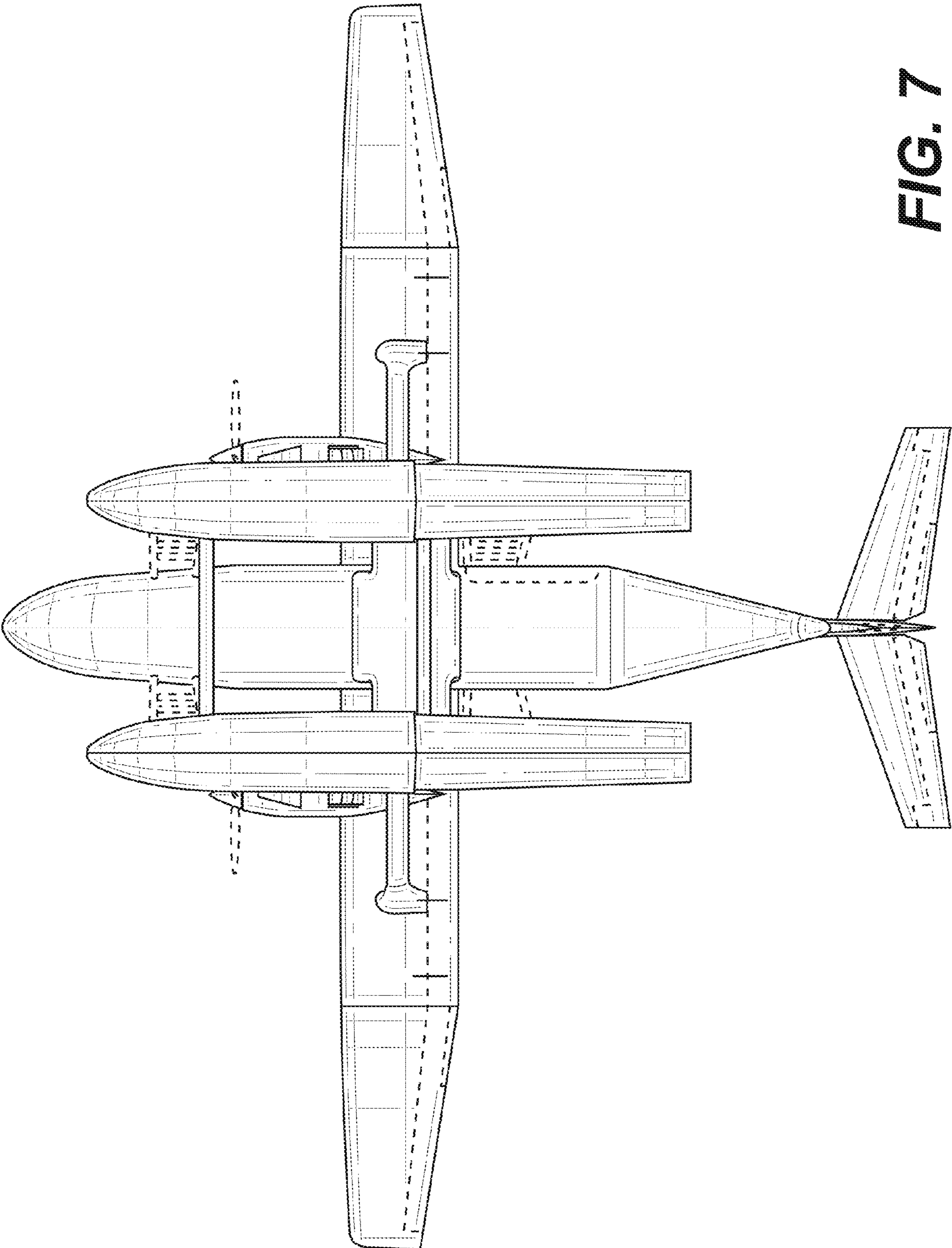


FIG. 7

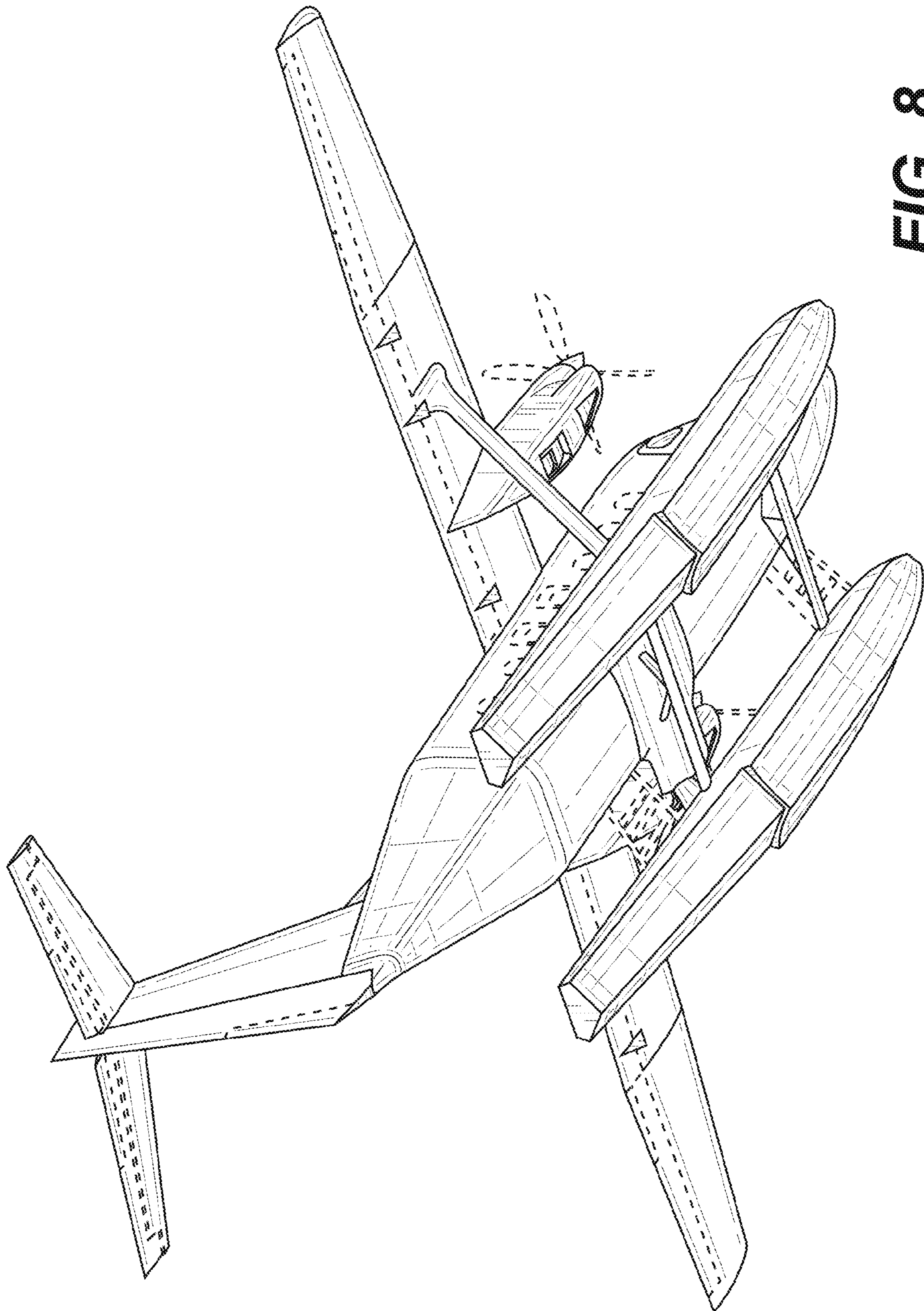


FIG. 8