



US00D926660S

(12) **United States Design Patent**
Ricehouse

(10) **Patent No.:** **US D926,660 S**

(45) **Date of Patent:** **** Aug. 3, 2021**

(54) **WHEEL FACE**

(71) Applicant: **Wheel Pros, LLC**, Greenwood Village,
CO (US)

(72) Inventor: **Daniel I. Ricehouse**, Phoenix, AZ (US)

(**) Term: **15 Years**

(21) Appl. No.: **29/722,942**

(22) Filed: **Feb. 3, 2020**

(51) **LOC (13) Cl.** **12-16**

(52) **U.S. Cl.**
USPC **D12/213**

(58) **Field of Classification Search**
USPC D12/204–213; D21/563
CPC B60B 7/00; B60B 7/02; B60B 7/04; B60B
7/01; B60B 7/06; B60B 3/02; B60B 3/04;
B60B 3/06; B60B 3/10; B60B 1/00;
B60B 1/08; B60B 1/10; B60B 1/12
See application file for complete search history.

(56) **References Cited**

U.S. PATENT DOCUMENTS

D599,269 S * 9/2009 Melbinger D12/213
D669,412 S * 10/2012 Le Grice D12/213

D708,114 S * 7/2014 Hodges D12/213
D722,939 S * 2/2015 Chung D12/213
D755,700 S * 5/2016 Tanaka D12/213
D786,168 S * 5/2017 Chung D12/213
D810,645 S * 2/2018 Sklyut D12/204
D823,778 S * 7/2018 Hale, Jr. D12/213
D833,363 S * 11/2018 Chung D12/213
D842,208 S * 3/2019 Hale, Jr. D12/213
D842,797 S * 3/2019 Han D12/213
D852,714 S * 7/2019 Hale, Jr. D12/213
D865,606 S * 11/2019 Han D12/204
D871,999 S * 1/2020 Hale, Jr. D12/213

* cited by examiner

Primary Examiner — Stacia A Cadmus

(74) *Attorney, Agent, or Firm* — Eric Hanscom

(57) **CLAIM**

The ornamental design for a wheel face, as shown and described.

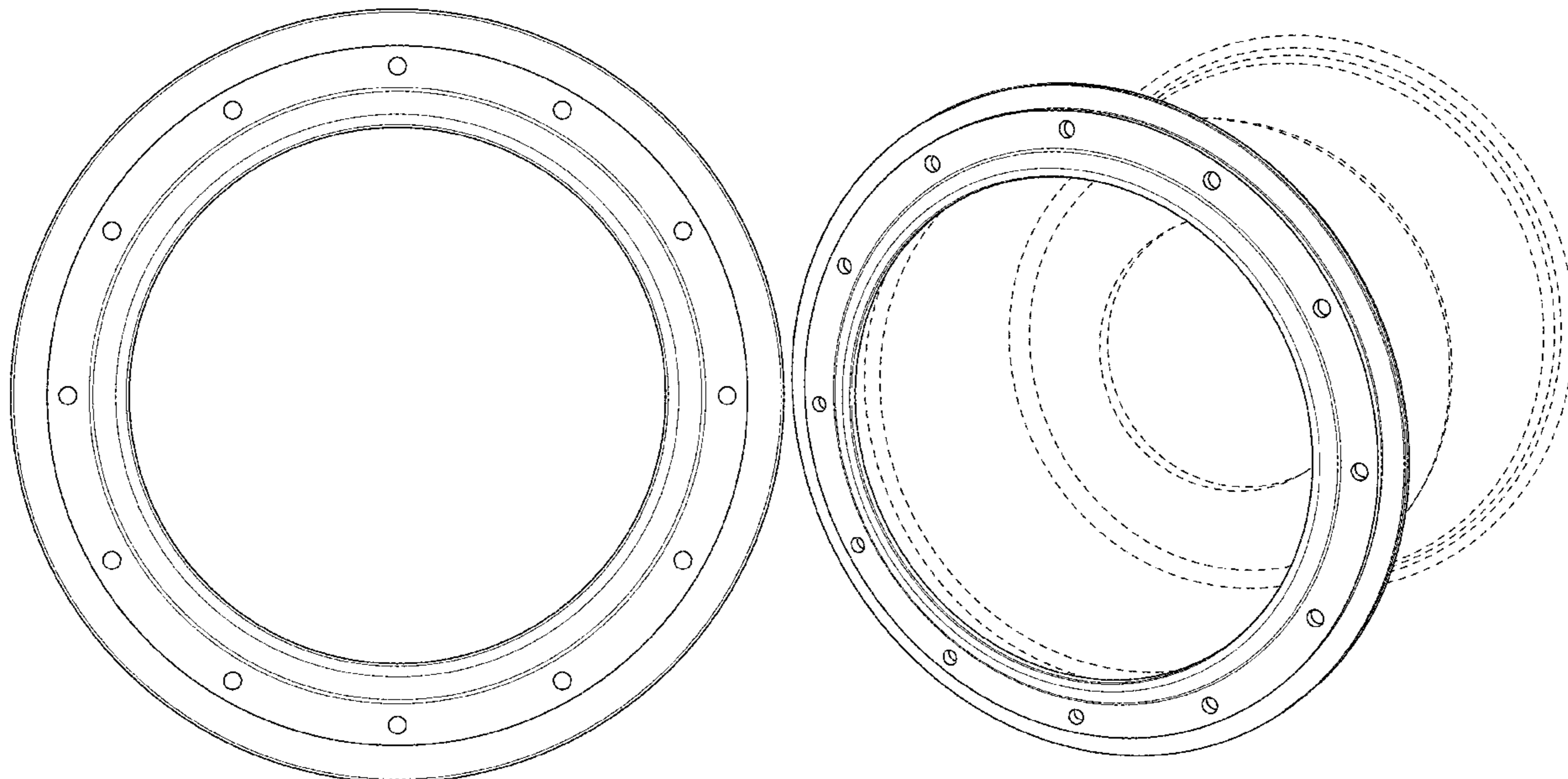
DESCRIPTION

FIG. 1 is a front view of a wheel face showing my new design; and,

FIG. 2 is a perspective view thereof.

In the drawings, broken lines shown in the drawings depict environmental subject matter only and form no part of the claimed design.

1 Claim, 2 Drawing Sheets



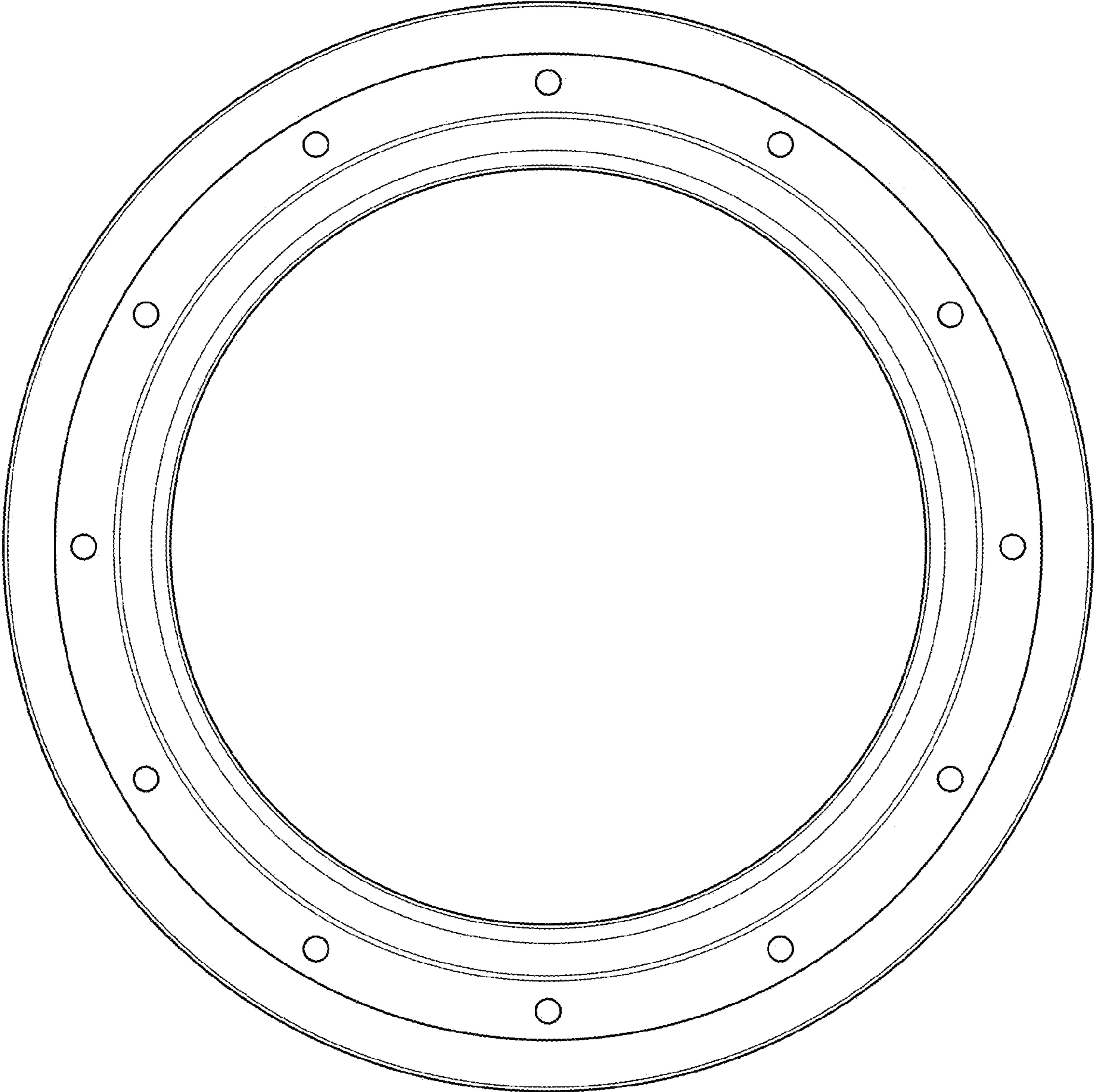


FIG. 1

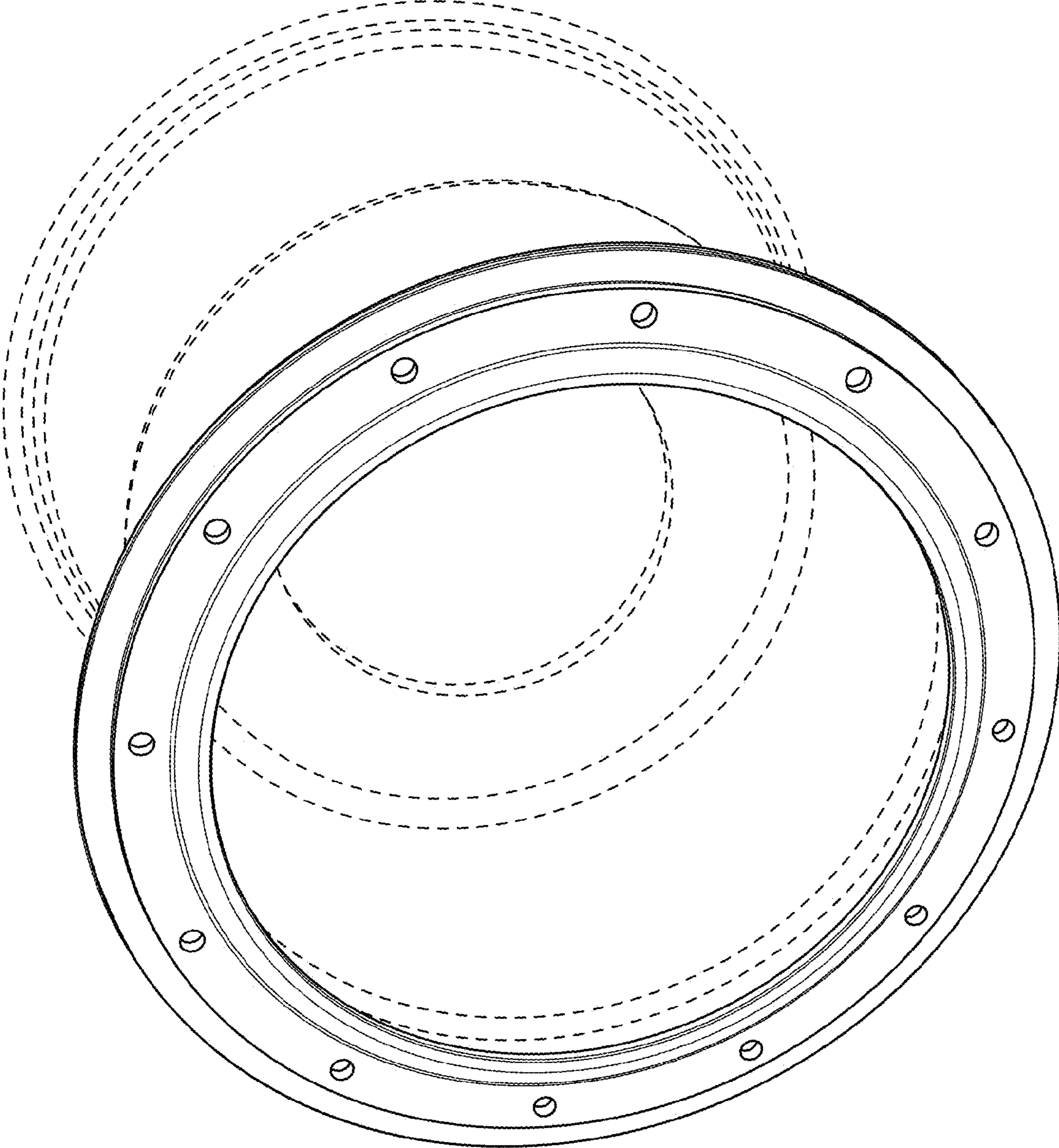


FIG. 2