

US00D926656S

(12) **United States Design Patent** (10) **Patent No.:** **US D926,656 S**
O'Neill et al. (45) **Date of Patent:** **** Aug. 3, 2021**

- (54) **WHEEL**
- (71) Applicant: **JAGUAR LAND ROVER LIMITED**,
Coventry (GB)
- (72) Inventors: **Michael O'Neill**, Coventry (GB); **Alex Chan**, Coventry (GB); **Paven Patel**,
Coventry (GB)
- (73) Assignee: **JAGUAR LAND ROVER LIMITED**,
Coventry (GB)
- (**) Term: **15 Years**
- (21) Appl. No.: **29/764,222**
- (22) Filed: **Dec. 29, 2020**

Related U.S. Application Data

- (62) Division of application No. 29/722,670, filed on Jan. 31, 2020, now Pat. No. Des. 908,067, and a division of application No. 29/532,693, filed on Jul. 9, 2015, now Pat. No. Des. 781,205.

Foreign Application Priority Data

- (30) Jul. 1, 2015 (EM) 002729764
- (51) **LOC (13) Cl.** **12-16**
- (52) **U.S. Cl.**
USPC **D12/209**

Field of Classification Search

USPC D12/204-213; D21/563
 CPC B60B 7/00; B60B 7/02; B60B 7/04; B60B 7/01; B60B 7/06; B60B 3/02; B60B 3/04; B60B 3/06; B60B 3/10; B60B 1/00; B60B 1/08; B60B 1/10; B60B 1/12

See application file for complete search history.

(56) **References Cited**

U.S. PATENT DOCUMENTS

D474,440 S	5/2003	Oh	
D580,842 S *	11/2008	Kim	D12/211
D590,314 S *	4/2009	Hettler	D12/209
D597,014 S	7/2009	Nissl	
D654,006 S *	2/2012	Baum	D12/209
D683,689 S	6/2013	Fahr-Becker	
D686,135 S	7/2013	Borkert	
D713,316 S	9/2014	Song et al.	
D758,275 S	6/2016	Patel	
D761,711 S	7/2016	Wolff et al.	
D762,545 S	8/2016	Hodges	
D768,046 S *	10/2016	Patel	D12/211
D769,166 S *	10/2016	Juergens	D12/211
D780,654 S *	3/2017	Gallert	D12/204
D781,768 S	3/2017	Buck	
D784,889 S	4/2017	Peat	
D787,409 S *	5/2017	Smith	D12/211
D803,755 S *	11/2017	Widua	D12/211
D808,326 S *	1/2018	Chung	D12/211
D823,769 S *	7/2018	Gallert	D12/209
D830,940 S	10/2018	Peat	
D838,647 S	1/2019	Han	
D844,529 S *	4/2019	Lemke	D12/209
D847,072 S *	4/2019	Badstuebner	D12/209
D848,340 S *	5/2019	Kraljevic	D12/209

(Continued)

Primary Examiner — Stacia A Cadmus

(74) *Attorney, Agent, or Firm* — Reising Ethington P.C.

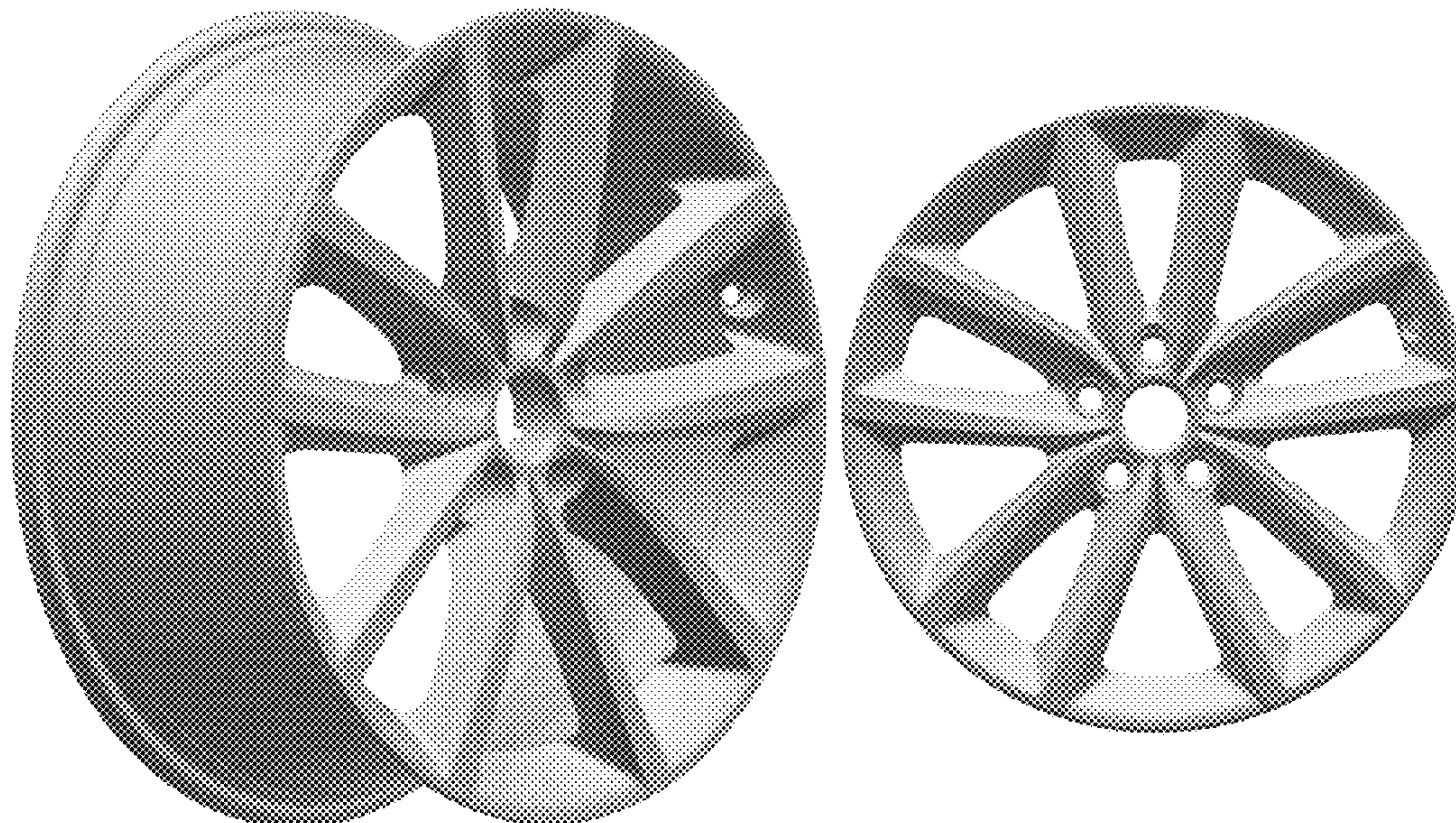
(57) **CLAIM**

The ornamental design for a wheel, as shown and described.

DESCRIPTION

FIG. 1 is a front left perspective view of a wheel;
 FIG. 2 is a front view thereof;
 FIG. 3 is a left side view thereof, the right side view being a mirror image thereof;
 FIG. 4 is a rear view thereof; and,
 FIG. 5 is a rear right perspective thereof.

1 Claim, 3 Drawing Sheets



(56)

References Cited

U.S. PATENT DOCUMENTS

D851,010	S	*	6/2019	Sze	D12/209
D855,000	S	*	7/2019	Gregory	D12/209
D860,906	S	*	9/2019	Valencia Pollex	D12/209
D863,177	S		10/2019	Gregory	
D872,675	S	*	1/2020	O'Neill	D12/211
D885,288	S	*	5/2020	Preyss	D12/209
D890,060	S	*	7/2020	Buttigieg	D12/209
D899,342	S	*	10/2020	O'Neill	D12/211
D900,694	S	*	11/2020	Melikian	D12/209
D901,356	S	*	11/2020	Ninov	D12/209
D908,576	S	*	1/2021	Han	D12/209

* cited by examiner



FIG. 1

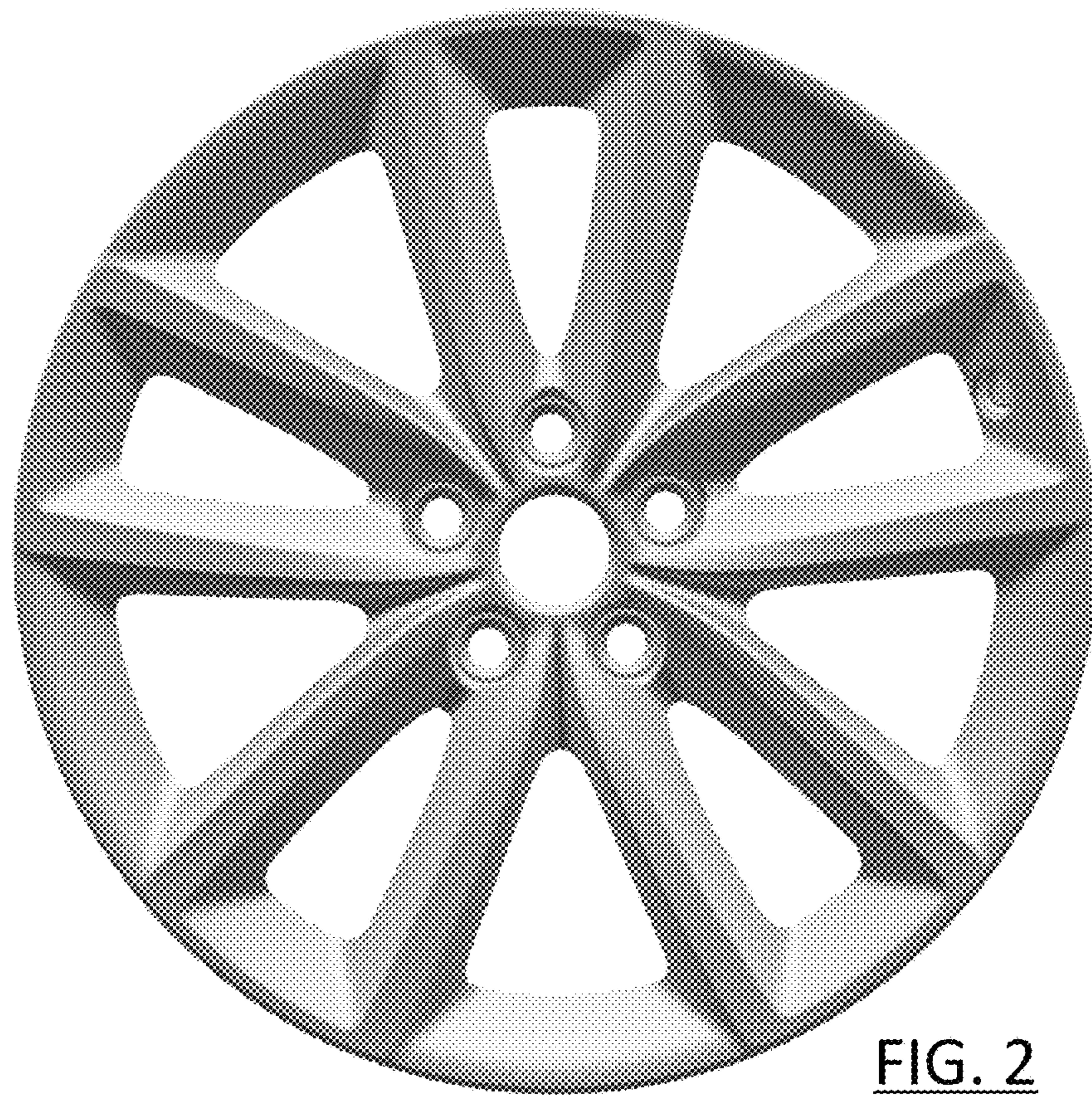


FIG. 2

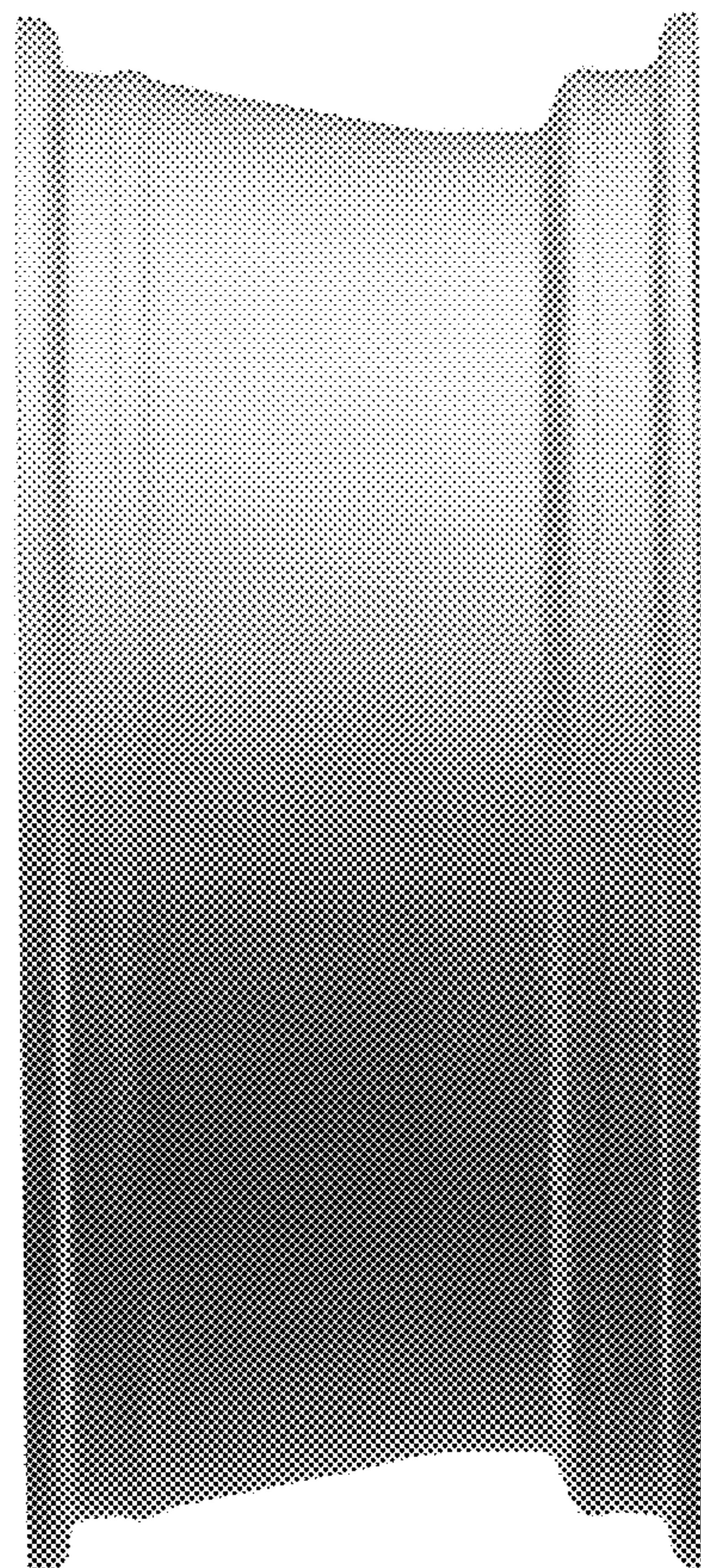


FIG. 3



FIG. 4



FIG. 5