



US00D926655S

(12) **United States Design Patent**  
**Lickliter**

(10) **Patent No.:** **US D926,655 S**

(45) **Date of Patent:** **\*\* Aug. 3, 2021**

(54) **WHEEL**

(71) Applicant: **Wheel Pros, LLC**, Greenwood Village, CO (US)

(72) Inventor: **Hans Lickliter**, Canyon Country, CA (US)

(\*\*) Term: **15 Years**

(21) Appl. No.: **29/728,449**

(22) Filed: **Mar. 18, 2020**

(51) **LOC (13) Cl.** ..... **12-16**

(52) **U.S. Cl.**  
USPC ..... **D12/209**

(58) **Field of Classification Search**

USPC ..... D12/204–213; D21/563  
CPC .... B60B 7/00; B60B 7/02; B60B 7/04; B60B 7/01; B60B 7/06; B60B 3/02; B60B 3/04; B60B 3/06; B60B 3/10; B60B 1/00; B60B 1/08; B60B 1/10; B60B 1/12

See application file for complete search history.

D496,317 S	9/2004	Kataoka	
D498,195 S	* 11/2004	Guevara	D12/211
D499,684 S	12/2004	Cheng	
D502,438 S	3/2005	Weld	
D504,859 S	5/2005	Sulahian	
D505,374 S	5/2005	Aleman	
D510,307 S	10/2005	Howes	
D518,766 S	* 4/2006	Burns	D12/211
D522,429 S	* 6/2006	Ishiwata	D12/209
D523,797 S	6/2006	Gallert	
D524,212 S	7/2006	Phillips	
D524,220 S	7/2006	Scheu	
D528,495 S	9/2006	Truebsbach	
D542,209 S	5/2007	Pfeiffer	
D549,148 S	8/2007	Buschmann	
D569,777 S	5/2008	Chung	
D577,650 S	9/2008	Chung	
D579,845 S	11/2008	Chung	
D582,828 S	* 12/2008	Young	D12/211
D582,831 S	12/2008	Musser	
D598,357 S	8/2009	Chung	
D617,723 S	6/2010	Zhao	
D623,109 S	9/2010	Markefka	
D635,903 S	4/2011	Zhang	
D654,007 S	2/2012	Nissl	
D654,420 S	2/2012	Guay	
D660,771 S	5/2012	Mueller-Stolz	

(Continued)

(56) **References Cited**

**U.S. PATENT DOCUMENTS**

D291,796 S	9/1987	Reid	
D361,975 S	9/1995	Weld	
D391,216 S	2/1998	Ballmann	
D408,775 S	4/1999	Shikado	
D453,492 S	2/2002	Laengerer	
D455,698 S	4/2002	Chung	
D467,212 S	12/2002	Noriega	
D470,094 S	2/2003	van Hooydonk	
D470,449 S	* 2/2003	Bernoni	D12/211
D480,036 S	9/2003	Laengerer	
D482,996 S	12/2003	Sulahian	
D488,763 S	* 4/2004	Takechi	D12/211
D492,925 S	7/2004	Fitzgerald	
D493,133 S	* 7/2004	Bernoni	D12/211

*Primary Examiner* — Stacia A Cadmus

(74) *Attorney, Agent, or Firm* — Eric Hanscom

(57) **CLAIM**

The ornamental design for a wheel, as shown and described.

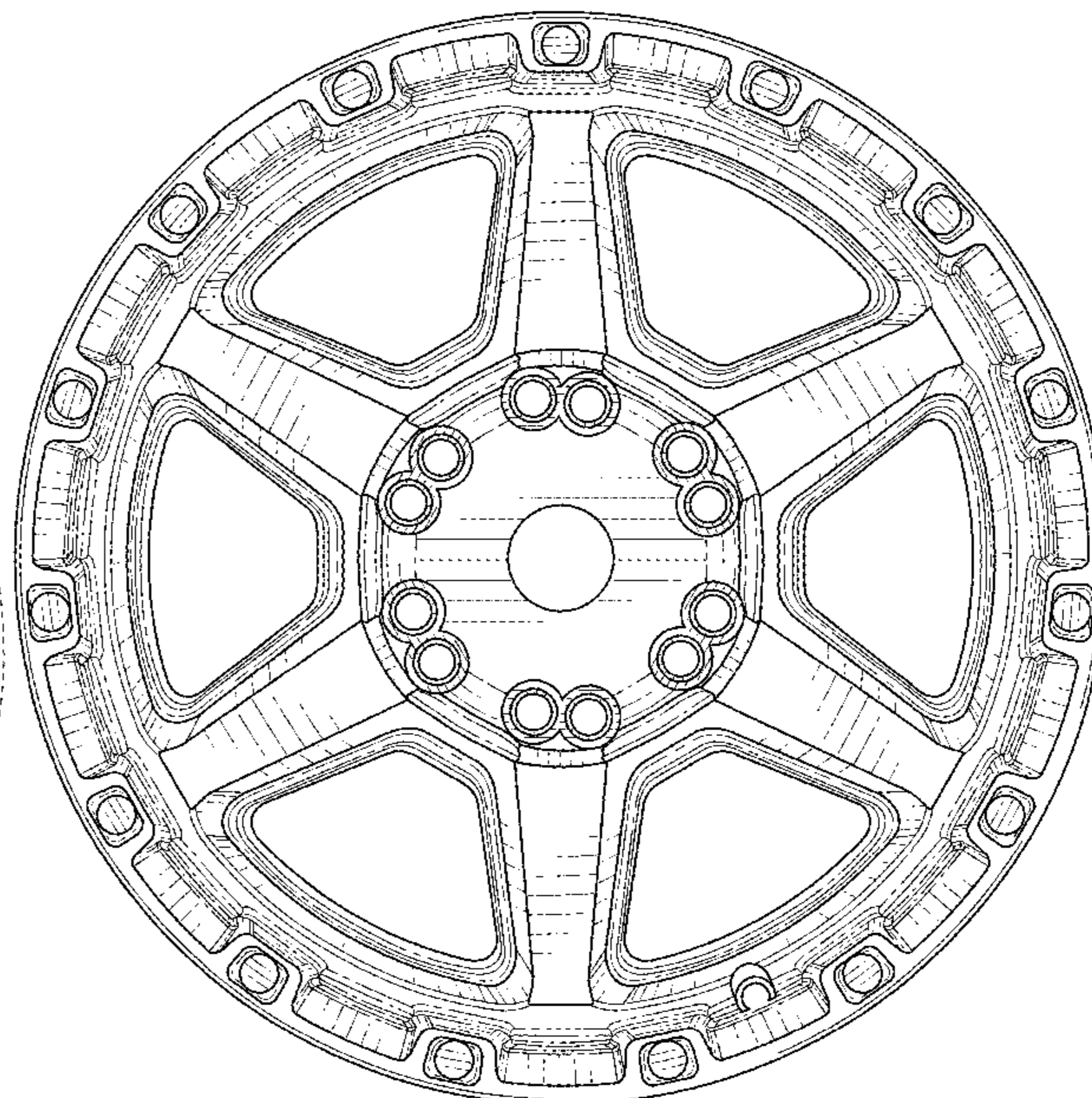
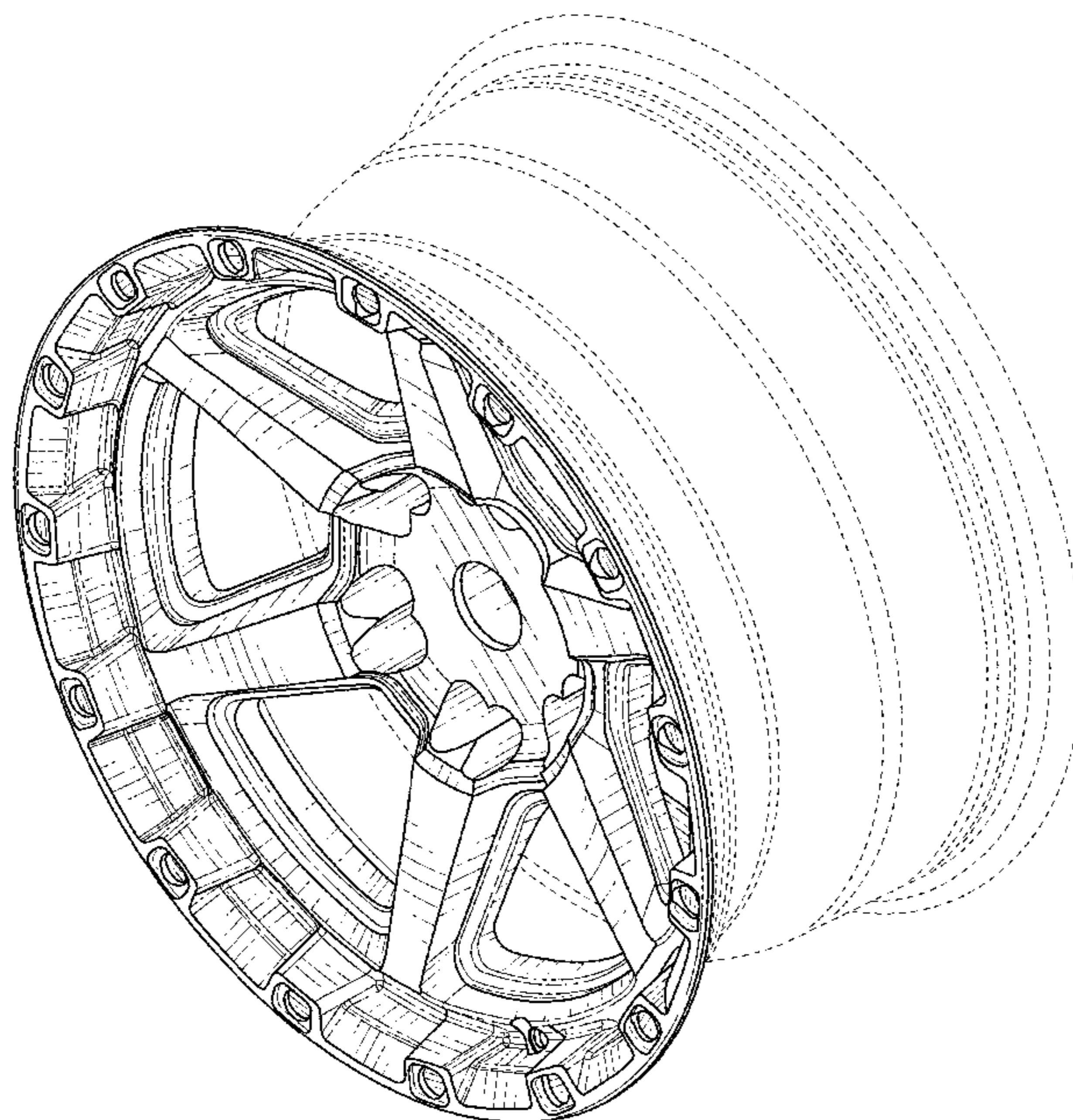
**DESCRIPTION**

FIG. 1 is a perspective view of a wheel showing my new design; and,

FIG. 2 is a front view thereof.

In the drawings, the broken lines depict portions of the wheel that form no part of the claimed design.

**1 Claim, 2 Drawing Sheets**



(56)

References Cited

U.S. PATENT DOCUMENTS

D669,009 S 10/2012 Chung  
 D684,518 S \* 6/2013 Zhao ..... D12/211  
 D686,961 S 7/2013 Chung  
 D695,193 S 12/2013 Kong  
 D698,298 S 1/2014 Cortes  
 D698,300 S 1/2014 Chung  
 D702,172 S 4/2014 Chung  
 D704,117 S 5/2014 Chung  
 D704,617 S 5/2014 Chung  
 D706,197 S 6/2014 Chung  
 D706,699 S \* 6/2014 Platto ..... D12/211  
 D707,167 S 6/2014 Chung  
 D709,020 S 7/2014 Chung  
 D713,316 S 9/2014 Song  
 D714,207 S 9/2014 Kim  
 D717,709 S 11/2014 Valencia Pollex  
 D719,893 S 12/2014 Kim  
 D723,994 S \* 3/2015 Chung ..... D12/211  
 D731,946 S 6/2015 Chung  
 D736,134 S \* 8/2015 Platto ..... D12/211  
 D742,293 S 11/2015 Chung  
 D751,480 S \* 3/2016 Chung ..... D12/209  
 D753,046 S 4/2016 Liffick

D756,283 S \* 5/2016 Chan ..... D12/209  
 D756,882 S 5/2016 Tirado  
 D758,945 S \* 6/2016 Zhao ..... D12/211  
 D766,805 S 9/2016 Chung  
 D769,785 S 10/2016 Wells  
 D780,655 S 3/2017 Trim  
 D782,950 S \* 4/2017 Hatton ..... D12/209  
 D802,509 S \* 11/2017 Tran ..... D12/209  
 D805,994 S \* 12/2017 Platto ..... D12/211  
 D817,844 S \* 5/2018 Hale, Jr. .... D12/209  
 D836,525 S \* 12/2018 Sempek ..... D12/211  
 D837,713 S \* 1/2019 Sempek ..... D12/209  
 D852,706 S \* 7/2019 Tran ..... D12/211  
 D853,933 S \* 7/2019 Henderson ..... D12/211  
 D856,245 S \* 8/2019 Hale, Jr. .... D12/209  
 D865,625 S \* 11/2019 Chiu ..... D12/209  
 D885,284 S \* 5/2020 Han ..... D12/209  
 D888,637 S \* 6/2020 Zhao ..... D12/209  
 D888,638 S \* 6/2020 Zhao ..... D12/209  
 D889,358 S \* 7/2020 Williams ..... D12/209  
 D894,076 S \* 8/2020 Lee ..... D12/209  
 D898,651 S \* 10/2020 Lickliter ..... D12/209  
 D904,274 S \* 12/2020 Sempek ..... D12/211  
 D908,069 S \* 1/2021 Lee ..... D12/211  
 D908,070 S \* 1/2021 Wheel ..... D12/211  
 D915,981 S \* 4/2021 Kangas ..... D12/209

\* cited by examiner



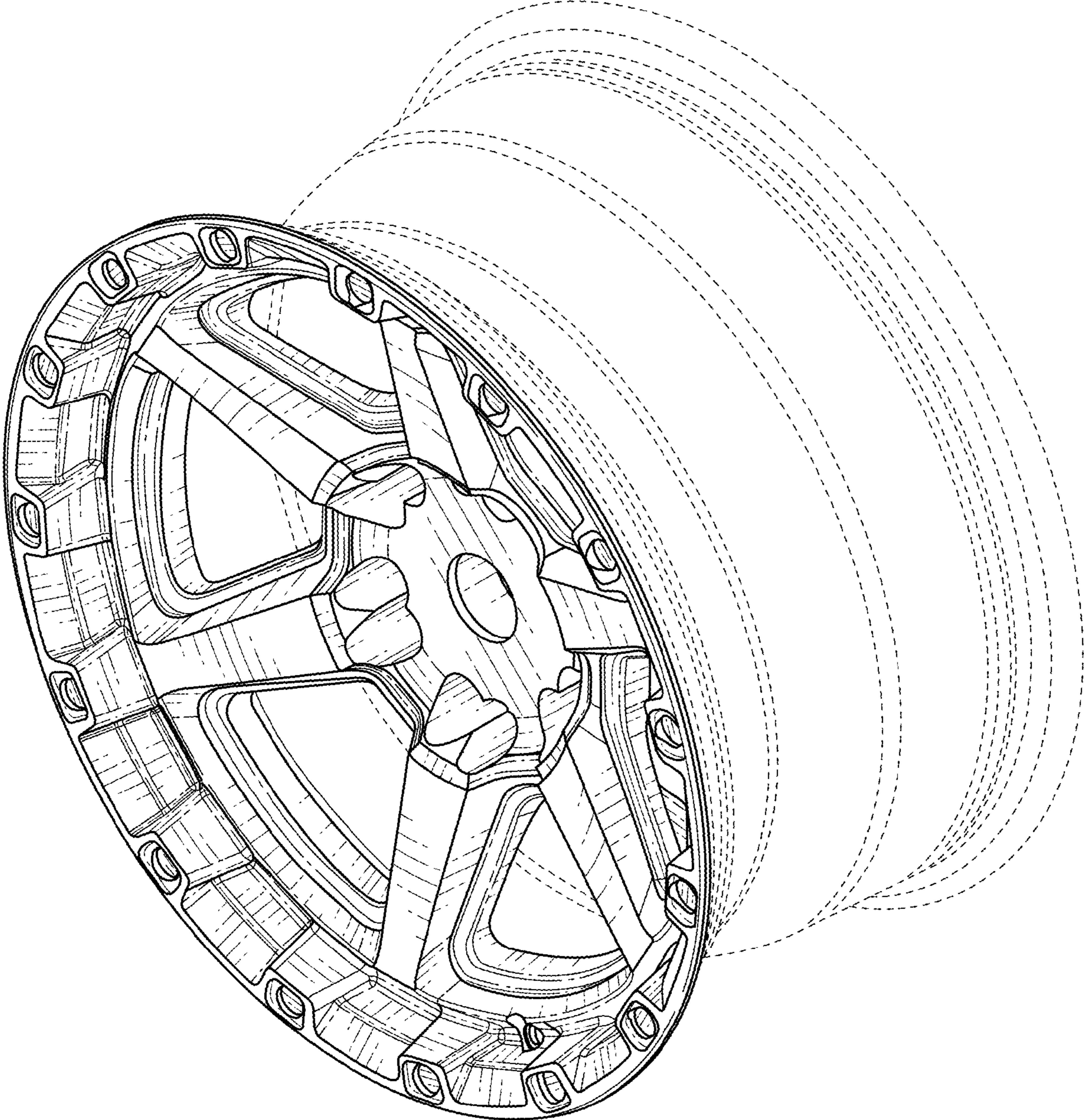


FIG. 1



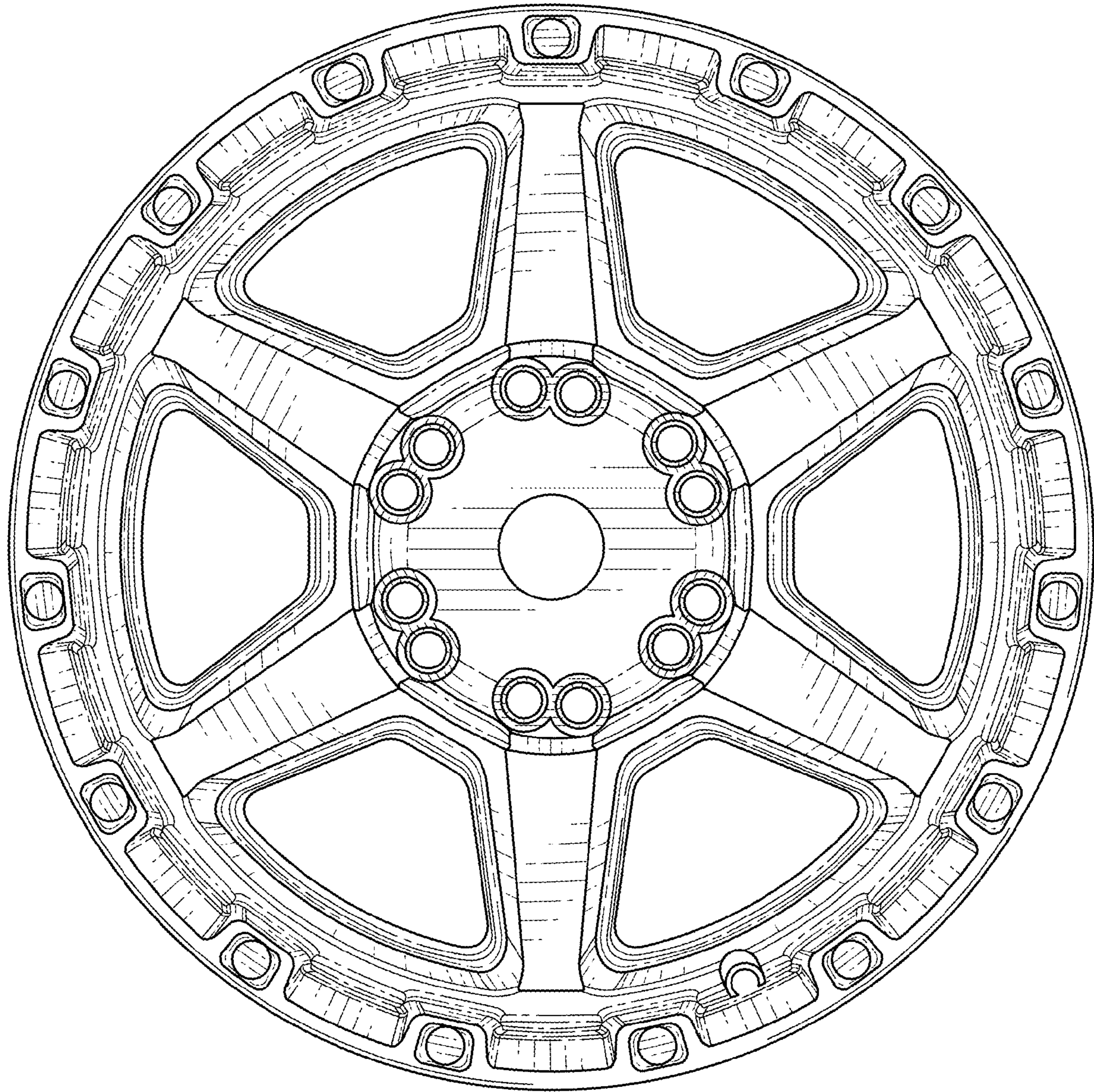


FIG. 2