



US00D926653S

(12) **United States Design Patent** (10) **Patent No.:** **US D926,653 S**
Yang (45) **Date of Patent:** **** Aug. 3, 2021**

(54) **VEHICLE MAT**
(71) Applicant: **FORMOSA SAINT JOSE CORPORATION**, Taipei (TW)
(72) Inventor: **Ming-Shun Yang**, Taipei (TW)
(73) Assignee: **FORMOSA SAINT JOSE CORP.**, Taipei (TW)
(**) Term: **15 Years**
(21) Appl. No.: **29/735,819**
(22) Filed: **May 25, 2020**
(51) **LOC (13) Cl.** **12-16**
(52) **U.S. Cl.**
USPC **D12/203**
(58) **Field of Classification Search**
USPC D12/203, 221; D6/582-586, 592-594
CPC B60R 13/01; B60N 3/044; B60N 3/04
See application file for complete search history.

(56) **References Cited**
U.S. PATENT DOCUMENTS
D408,342 S * 4/1999 Yang D12/203
5,891,546 A * 4/1999 Sherman B60R 13/02
428/88
D442,530 S * 5/2001 Lu D12/203
D514,493 S * 2/2006 MacNeil D12/203
D522,428 S * 6/2006 MacNeil D12/203
D656,874 S * 4/2012 MacNeil D12/203
D656,875 S * 4/2012 MacNeil D12/203
8,851,551 B1 * 10/2014 Kaufman B60N 3/046
296/97.23
D782,382 S * 3/2017 Jaimes D12/203
D798,210 S * 9/2017 Ying D12/203

D801,248 S * 10/2017 Zheng D12/203
D804,386 S * 12/2017 Tan D12/203
D809,445 S * 2/2018 Gonzalez D12/203
D813,776 S * 3/2018 Jaimes D12/203
9,937,842 B2 * 4/2018 Chavez Martinez .. B60N 3/048
D861,563 S * 10/2019 Li D12/203
D873,754 S * 1/2020 Johnson D12/203
D875,013 S * 2/2020 Ying D12/203
D880,389 S * 4/2020 Holloway D12/203
2006/0091694 A1 * 5/2006 MacNeil B29C 45/76
296/97.23
2006/0091695 A1 * 5/2006 MacNeil B32B 27/08
296/97.23
2013/0171419 A1 * 7/2013 Tyler B60N 3/044
428/167
2018/0086243 A1 * 3/2018 Johnson B60N 3/046

* cited by examiner

Primary Examiner — Michelle E. Wilson
Assistant Examiner — Clese Moore, Jr.
(74) *Attorney, Agent, or Firm* — Pro-Techt International Services; Ian Oglesby

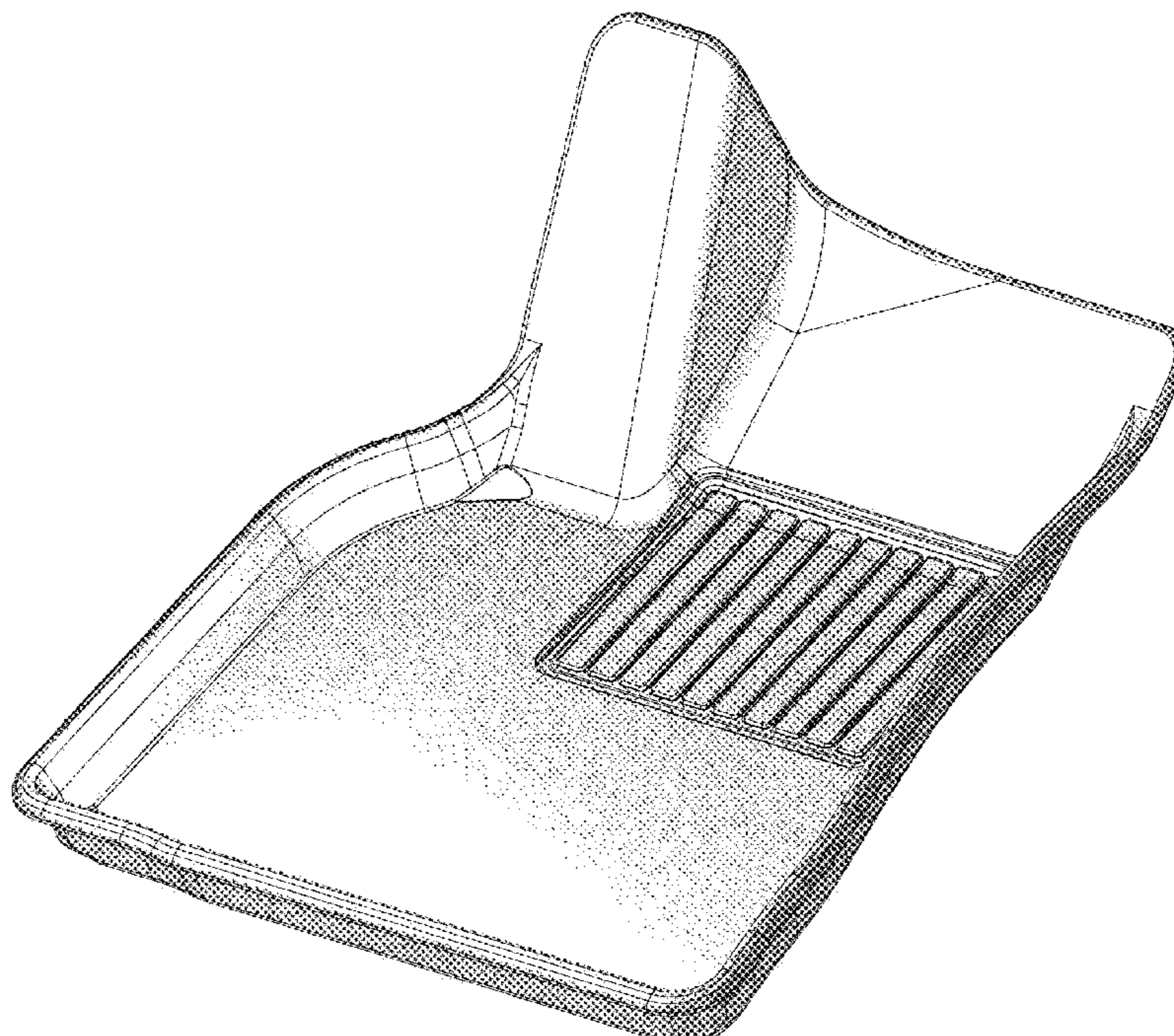
(57) **CLAIM**

The ornamental design for a vehicle mat, as shown and described.

DESCRIPTION

FIG. 1 is a perspective view of a vehicle mat showing my new design;
FIG. 2 is a front elevational view thereof;
FIG. 3 is a rear elevational view thereof;
FIG. 4 is a left elevational view thereof;
FIG. 5 is a right elevational view thereof;
FIG. 6 is a top plan view thereof; and,
FIG. 7 is a bottom plan view thereof;

1 Claim, 7 Drawing Sheets



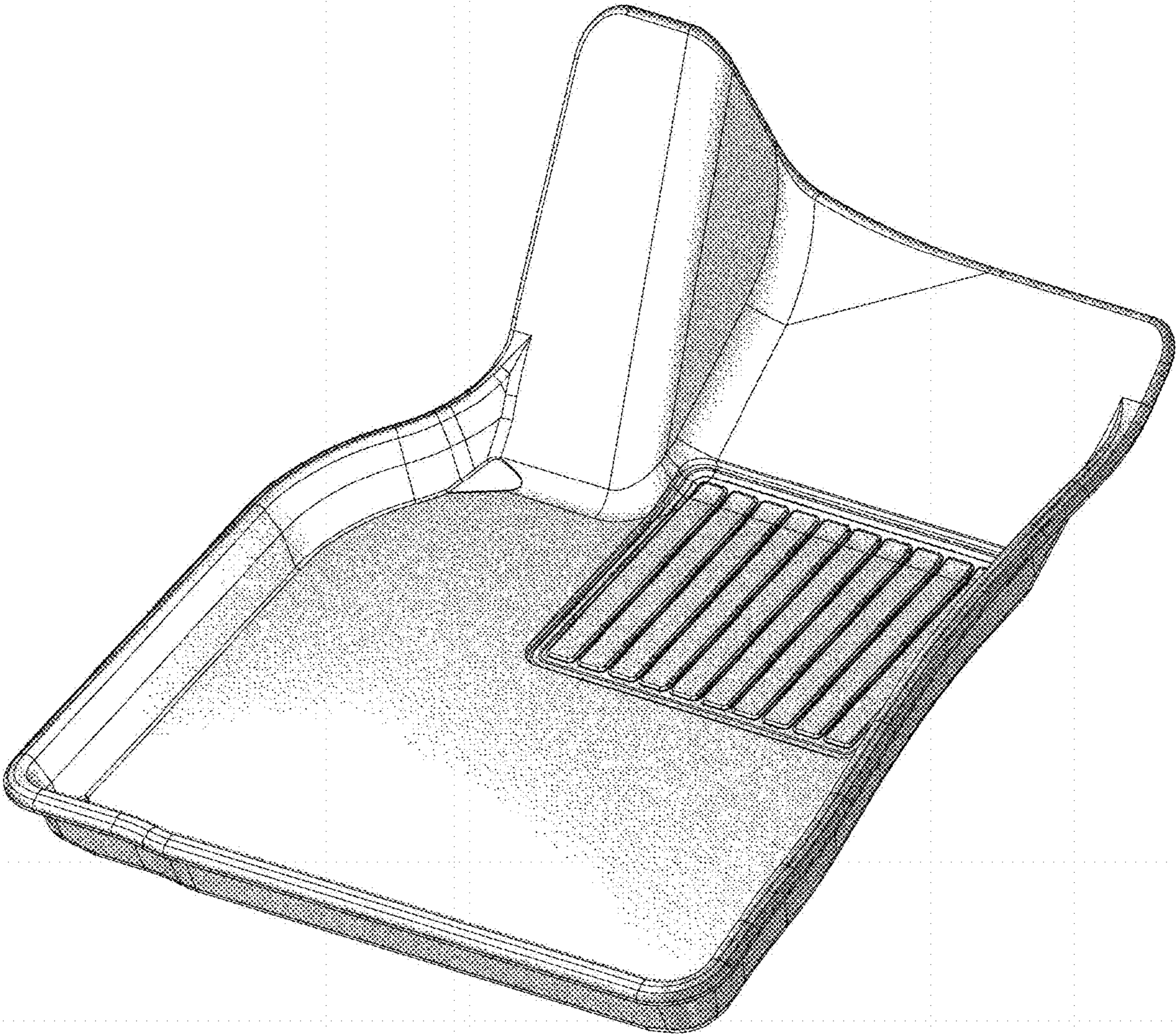


FIG. 1

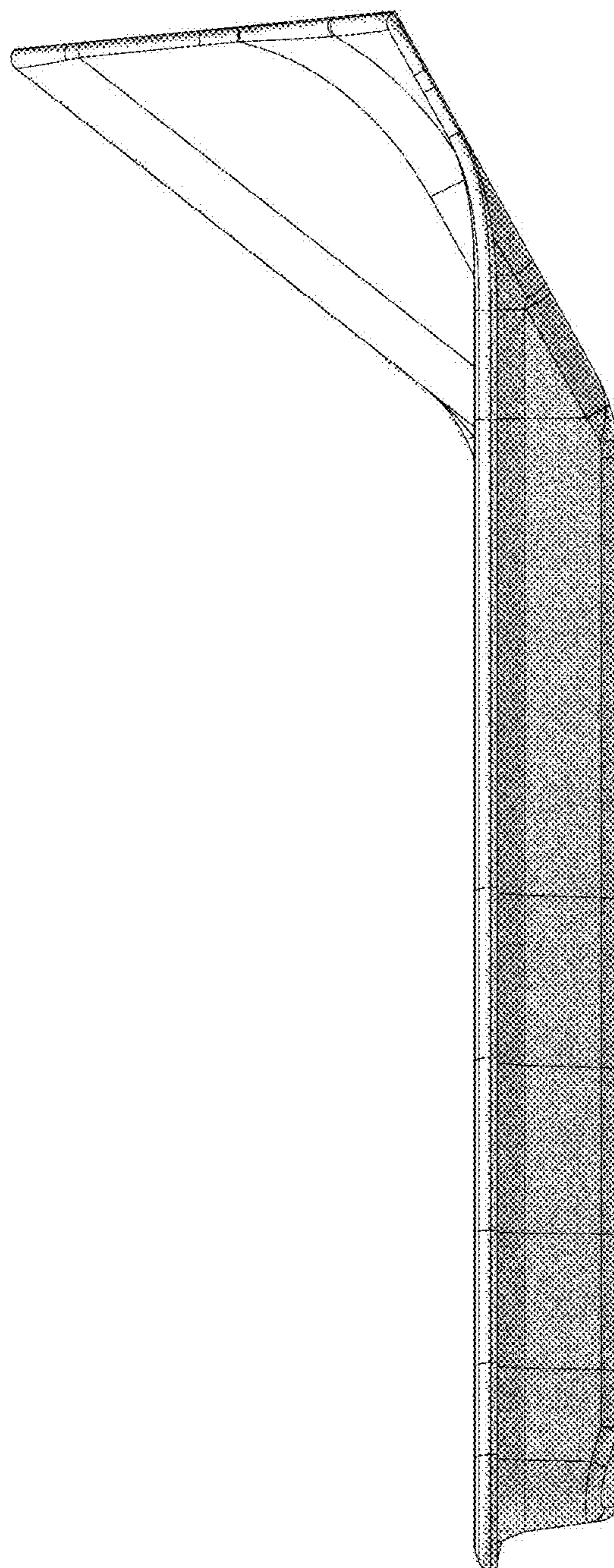


FIG. 2

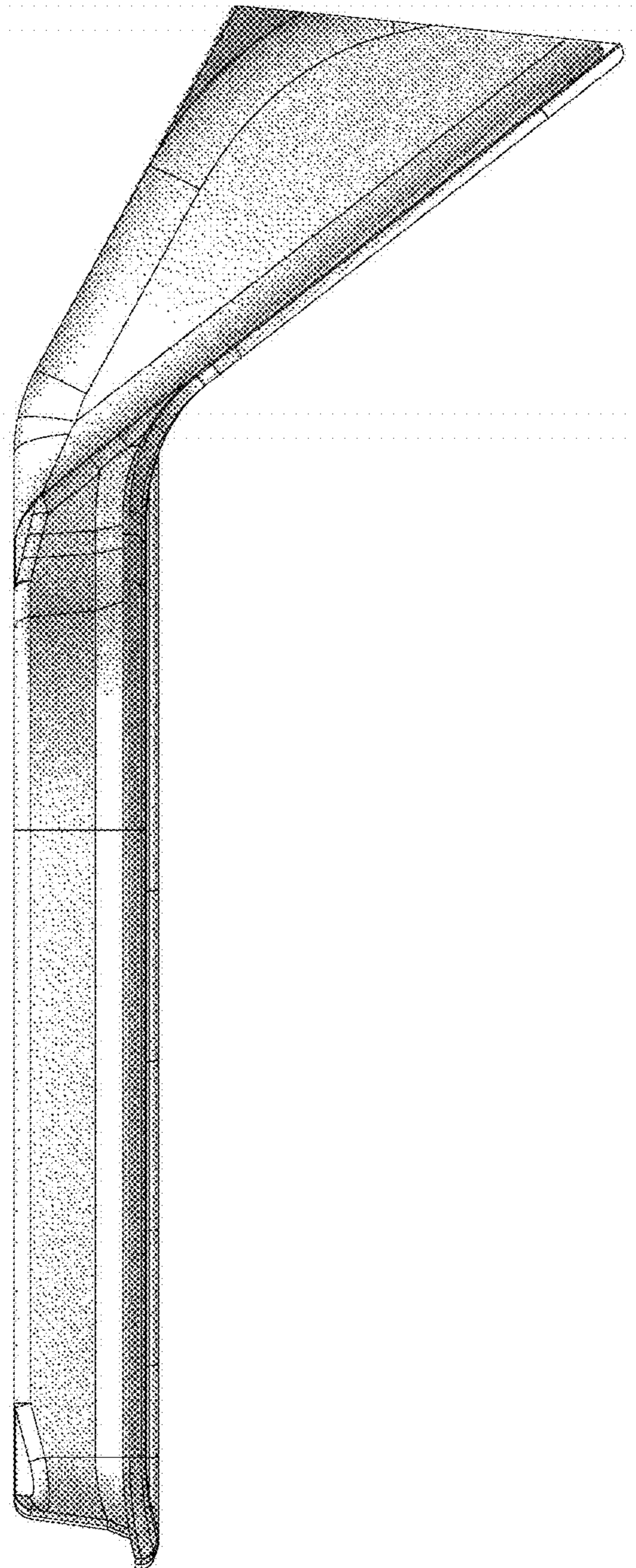


FIG. 3

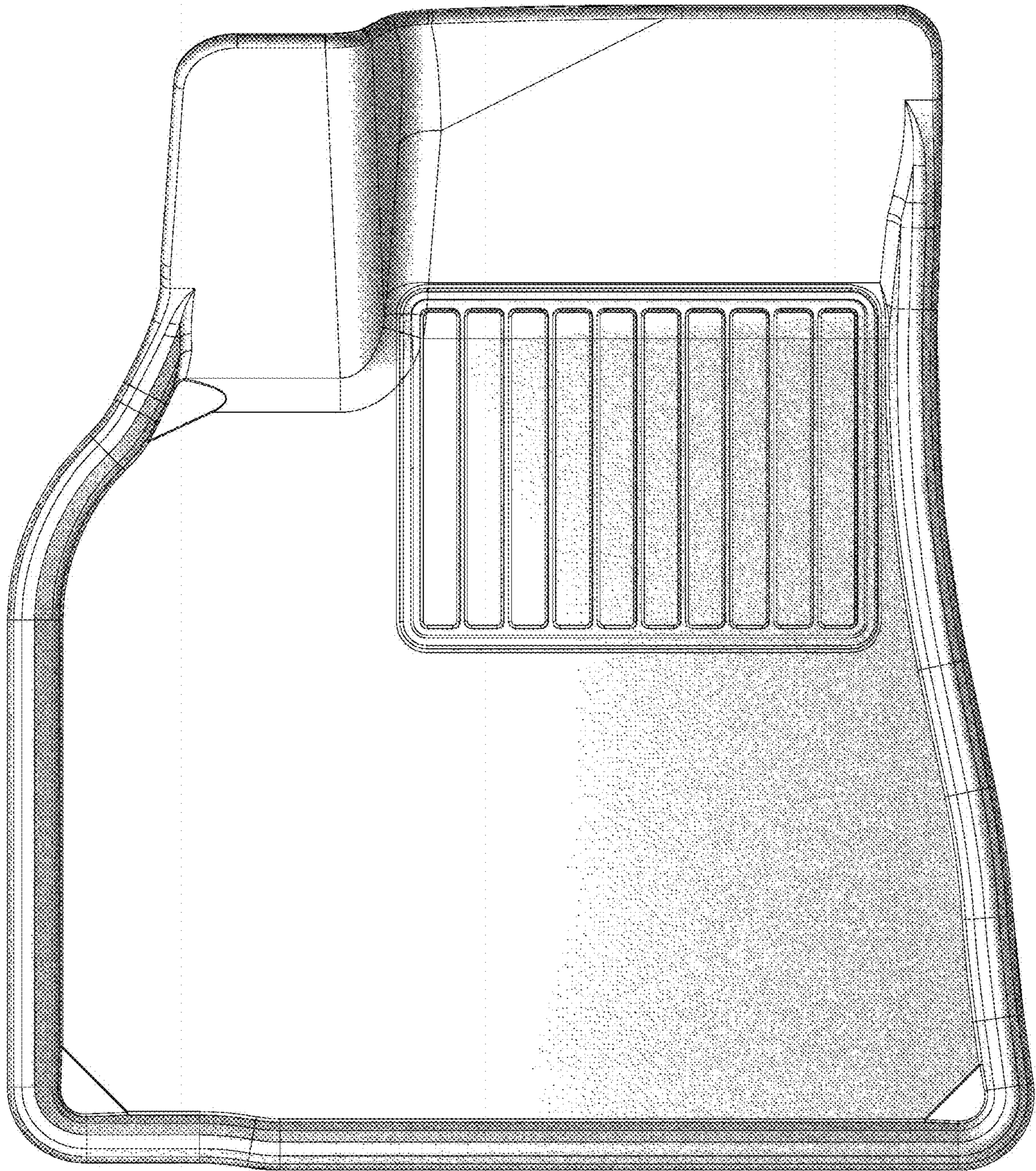


FIG. 4

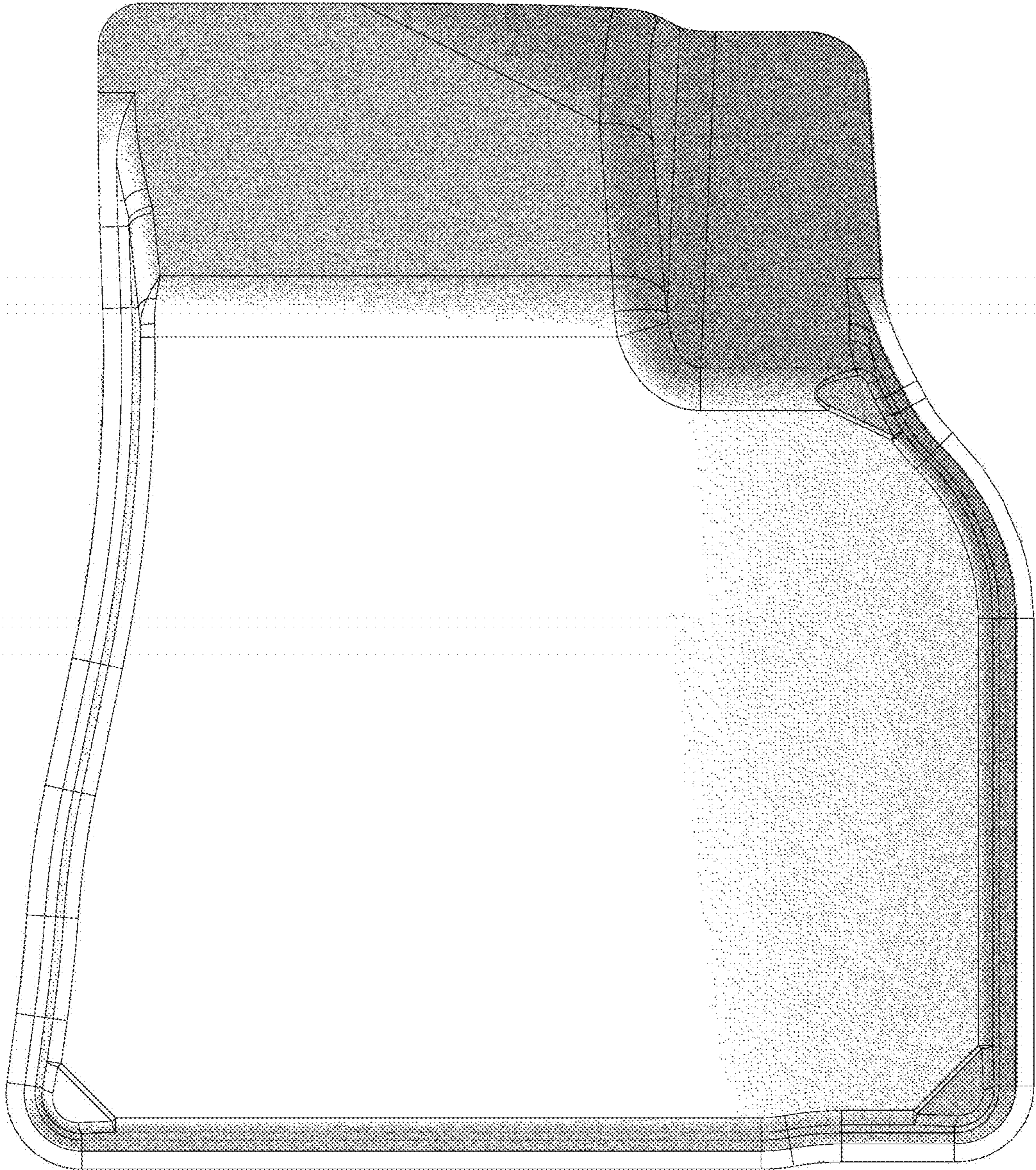


FIG. 5

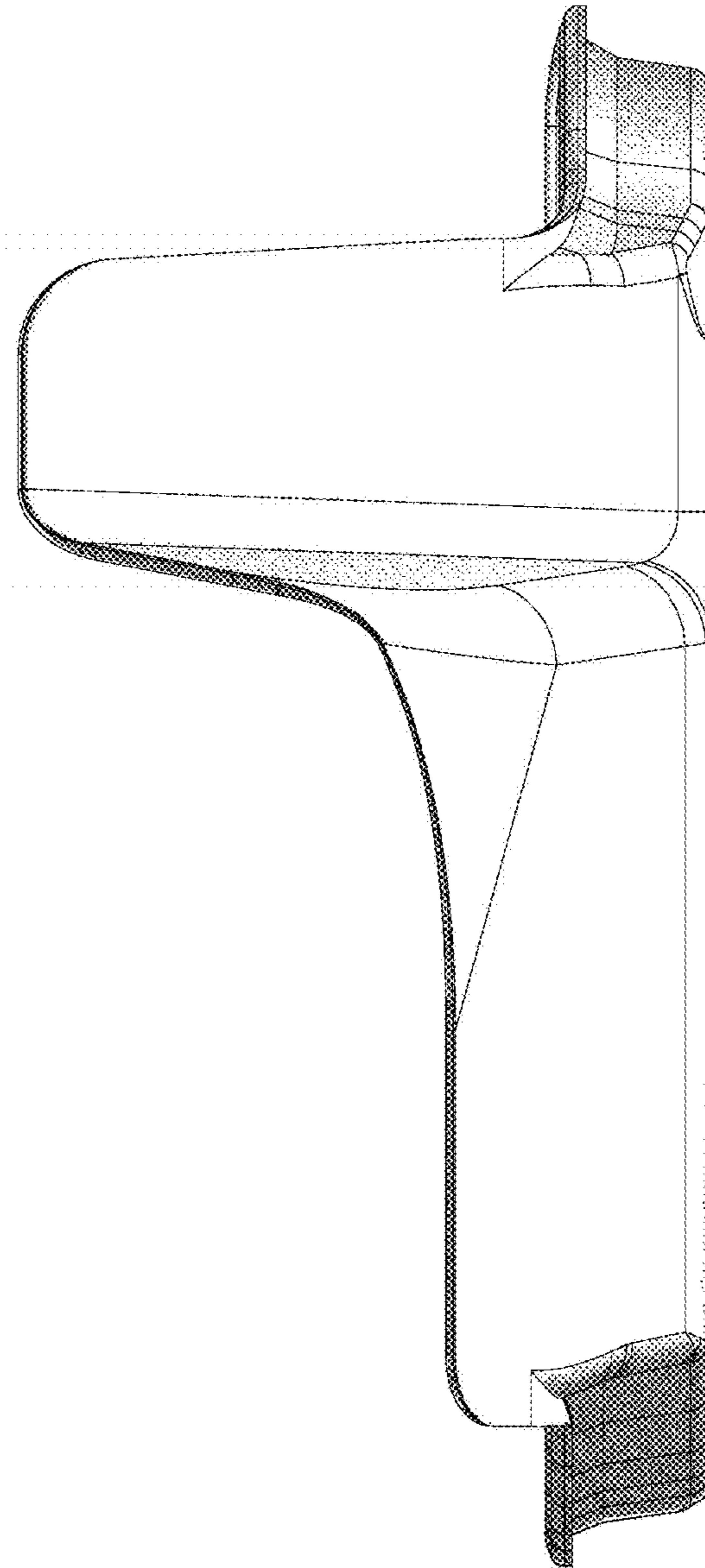


FIG. 6

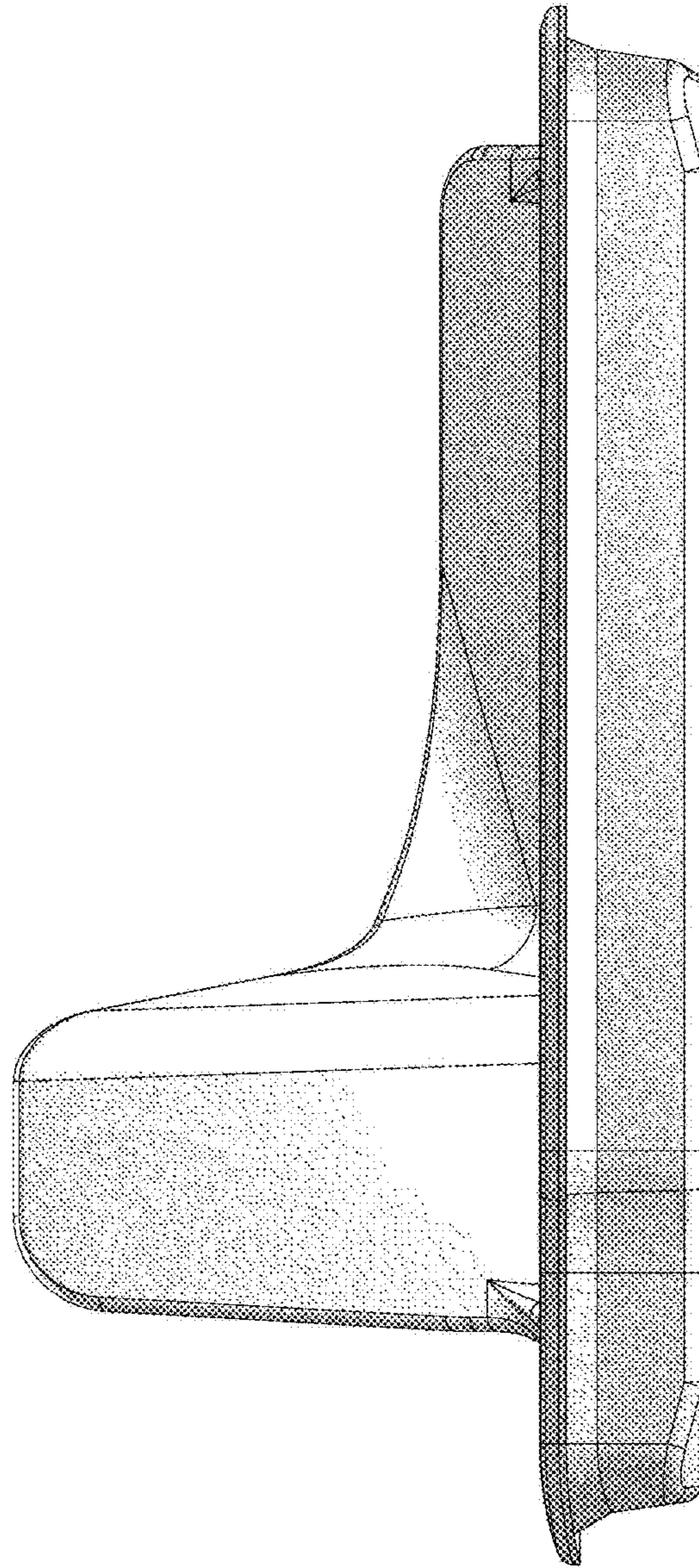


FIG. 7