



US00D926651S

(12) **United States Design Patent**
Sheffield et al.

(10) **Patent No.:** **US D926,651 S**

(45) **Date of Patent:** **** Aug. 3, 2021**

(54) **SPOILER FOR AUTOMOBILE OR REPLICA THEREOF**

(71) Applicant: **ASTON MARTIN LAGONDA LIMITED**, Warwick (GB)

(72) Inventors: **Andrew Sheffield**, Warwick (GB);
Miles Nurnberger, Warwick (GB);
Julian Nunn, Warwick (GB)

(73) Assignee: **ASTON MARTIN LAGONDA LIMITED**, Warwick (GB)

(**) Term: **15 Years**

(21) Appl. No.: **29/724,188**

(22) Filed: **Feb. 13, 2020**

(30) **Foreign Application Priority Data**

Aug. 15, 2019 (EM) 006721767

(51) **LOC (13) Cl.** **12-16**

(52) **U.S. Cl.**
USPC **D12/181**

(58) **Field of Classification Search**
USPC D12/181-184, 191, 400
CPC B62D 37/02; B62D 35/007; B62D 35/00
See application file for complete search history.

(56) **References Cited**

U.S. PATENT DOCUMENTS

D620,396 S	7/2010	Reichman et al.
D626,466 S	11/2010	Reichman et al.
D629,718 S	12/2010	Reichman et al.
D629,719 S	12/2010	Reichman et al.
D629,725 S	12/2010	Reichman et al.
D630,140 S	1/2011	Reichman et al.
D670,640 S	11/2012	Reichman et al.
D687,348 S	8/2013	Nurnberger
D689,812 S	9/2013	Reichman et al.
D692,800 S	11/2013	Wiltshire

D704,102 S	5/2014	Nurnberger
D704,601 S	5/2014	Nurnberger
D726,079 S	4/2015	Reichman et al.
D727,804 S	4/2015	Nurnberger
D730,777 S	6/2015	Nurnberger
D739,789 S	9/2015	Payne
D740,725 S	10/2015	Payne
D758,247 S	6/2016	Nurnberger et al.
D766,474 S	9/2016	Holgate et al.
D772,128 S	11/2016	Platt
D774,950 S	12/2016	Holgate et al.

(Continued)

OTHER PUBLICATIONS

Aston Martin 2013, "Aston Martin Centenary Celebration Programme," 2013; 204 pages.

(Continued)

Primary Examiner — Katrina A Betton

(74) *Attorney, Agent, or Firm* — Dorsey & Whitney LLP

(57) **CLAIM**

The ornamental design for a spoiler for automobile or replica thereof, as shown and described.

DESCRIPTION

FIG. 1 is a front left perspective view of spoiler for automobile or replica thereof in accordance with the present design.

FIG. 2 is a rear left perspective view thereof.

FIG. 3 is a top plan view thereof.

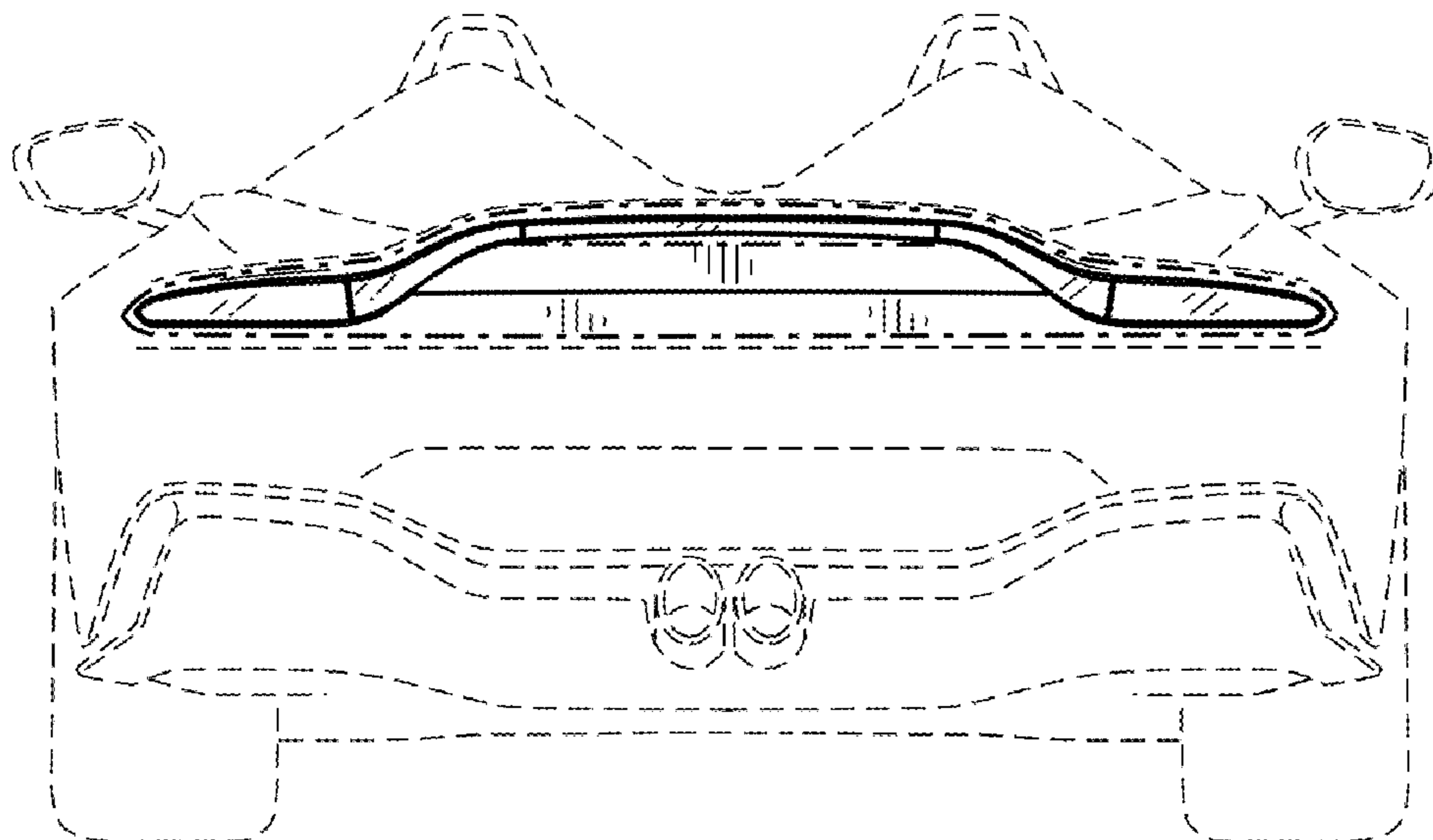
FIG. 4 is a left side elevation view thereof.

FIG. 5 is a right side elevation view thereof; and,

FIG. 6 is a rear elevation view thereof.

Portions shown in evenly spaced broken lines depict environmental structures that form no part of the claim. Portions shown in dot-dash lines depict an unclaimed boundary between claimed and unclaimed portions of the present design.

1 Claim, 6 Drawing Sheets



(56)

References Cited

U.S. PATENT DOCUMENTS

D774,995 S 12/2016 Holgate et al.
 D777,070 S 1/2017 Nurnberger
 D778,790 S 2/2017 Nurnberger
 D780,632 S 3/2017 Nurnberger
 D780,633 S 3/2017 Nurnberger et al.
 D780,634 S 3/2017 Nurnberger et al.
 D780,636 S 3/2017 Kahn
 D785,525 S 5/2017 Nurnberger
 D786,155 S 5/2017 Holgate et al.
 D786,744 S 5/2017 Nurnberger et al.
 D796,404 S 9/2017 Nurnberger
 D800,619 S 10/2017 Platt
 D801,558 S 10/2017 Nurnberger et al.
 D815,995 S 4/2018 Nurnberger et al.
 D817,814 S 5/2018 Nurnberger et al.
 D820,164 S 6/2018 Nurnberger et al.
 D825,387 S 8/2018 Nurnberger et al.
 D826,106 S 8/2018 Kahn
 D827,166 S 8/2018 Nurnberger et al.
 D827,410 S 9/2018 Earley
 D827,411 S 9/2018 Earley
 D827,507 S 9/2018 Nurnberger et al.
 D830,917 S 10/2018 Nurnberger et al.
 D833,187 S 11/2018 Earley
 D835,548 S 12/2018 Nurnberger et al.
 D838,017 S 1/2019 Nurnberger et al.
 D838,018 S 1/2019 Nurnberger et al.
 D840,873 S 2/2019 Nurnberger et al.
 D841,847 S 2/2019 Re et al.
 D842,799 S 3/2019 Nurnberger et al.
 D848,331 S 5/2019 Nurnberger et al.
 D849,616 S 5/2019 Nurnberger et al.
 D855,528 S 8/2019 Re
 D856,193 S 8/2019 Nurnberger et al.
 D856,902 S 8/2019 Hill et al.
 D860,875 S 9/2019 Re
 D864,842 S 10/2019 Djabour

D870,004 S 12/2019 Hill et al.
 D871,274 S 12/2019 Re
 D871,991 S 1/2020 Cartwright et al.
 D874,374 S 2/2020 Re
 D878,985 S * 3/2020 Scheinhutte D12/181
 D883,154 S * 5/2020 Scheinhutte D12/181
 D891,333 S * 7/2020 Baum D12/181
 D897,249 S * 9/2020 Baum D12/181
 D899,980 S * 10/2020 von Holzhausen D12/181
 D905,602 S * 12/2020 Chen D12/181
 D905,603 S * 12/2020 DiCanzio D12/181
 D906,201 S * 12/2020 Chen D12/181
 D906,912 S * 1/2021 Anscheidt D12/181
 D907,547 S * 1/2021 Buck D12/181
 D909,938 S * 2/2021 Ninov D12/181
 D911,234 S * 2/2021 Manzoni D12/181

OTHER PUBLICATIONS

1976 and 1987 Aston Martin Lagonda, [online], [site visited Jul. 24, 2014], Available from Internet, <URL: <http://www.astonmartin.com/heritage/past-models/lagonda>>, 2 pages.
 U.S. Appl. No. 29/582,592, filed Oct. 28, 2016.
 U.S. Appl. No. 29/626,411, filed Nov. 16, 2017.
 U.S. Appl. No. 29/647,968, filed May 17, 2018.
 U.S. Appl. No. 29/674,083, filed Dec. 19, 2018.
 U.S. Appl. No. 29/682,466, filed Mar. 5, 2019.
 U.S. Appl. No. 29/689,693, filed May 1, 2019.
 U.S. Appl. No. 29/689,689, filed May 1, 2019.
 U.S. Appl. No. 29/689,379, filed Apr. 29, 2019.
 U.S. Appl. No. 29/698,779, filed Jul. 19, 2019.
 U.S. Appl. No. 29/698,789, filed Jul. 19, 2019.
 U.S. Appl. No. 29/699,556, filed Jul. 26, 2019.
 U.S. Appl. No. 29/699,560, filed Jul. 26, 2019.
 U.S. Appl. No. 29/718,344, filed Dec. 23, 2019.
 U.S. Appl. No. 29/724,179, filed Feb. 13, 2020.
 U.S. Appl. No. 29/724,201, filed Feb. 13, 2020.

* cited by examiner

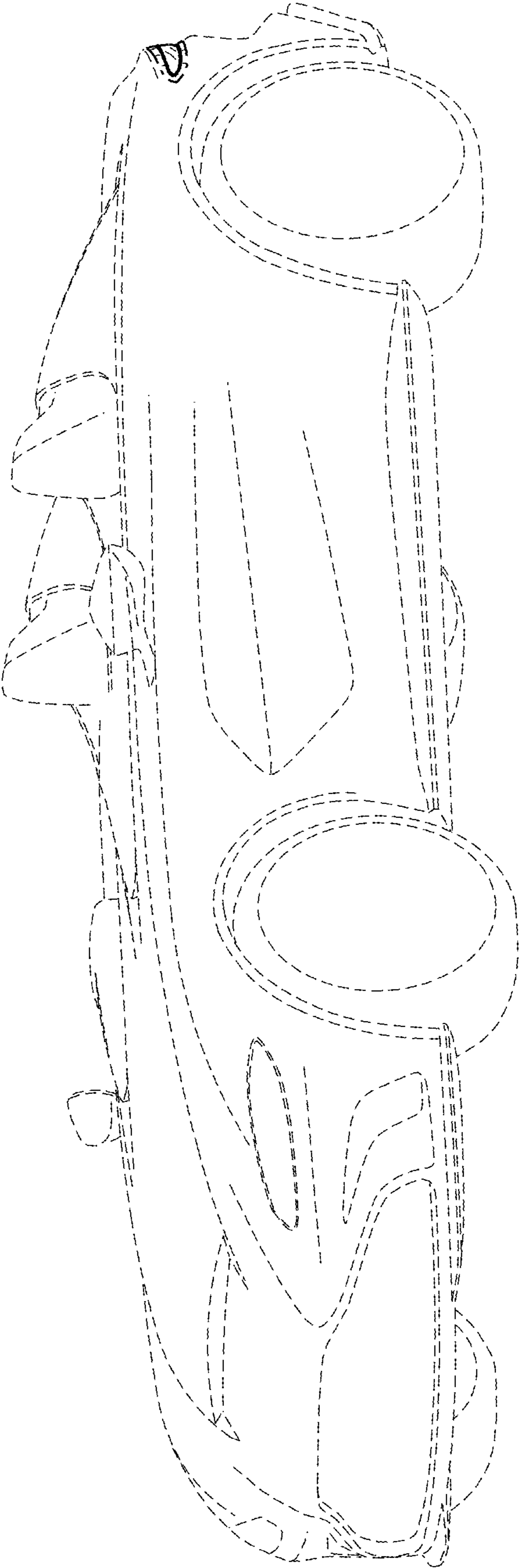


FIG. 1

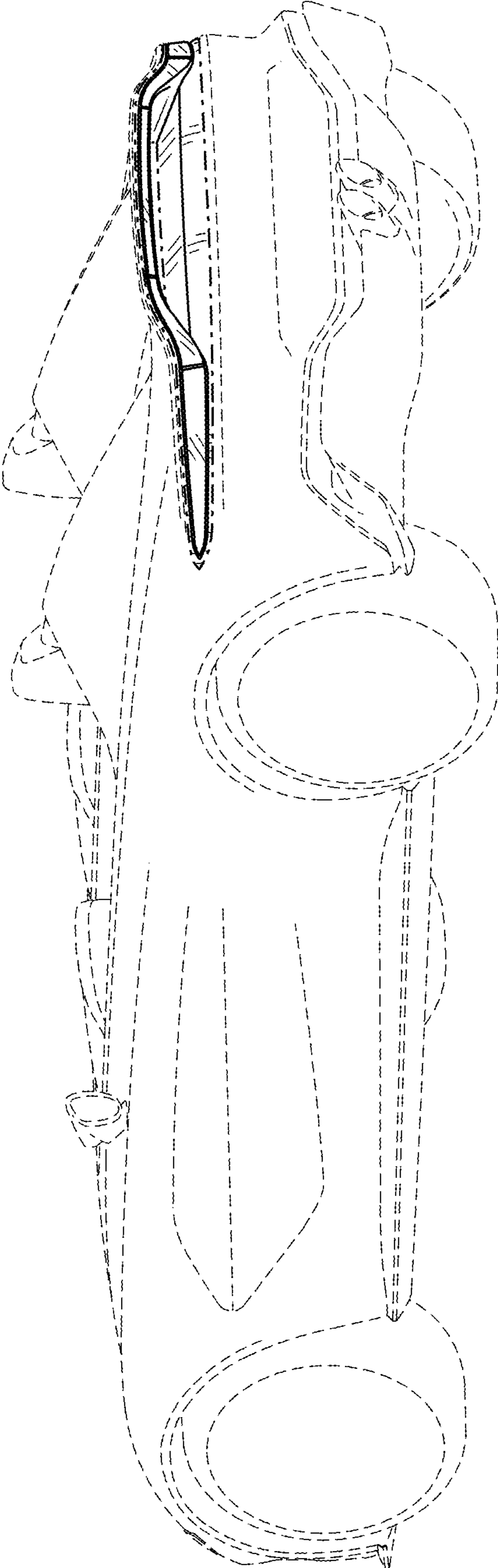


FIG. 2

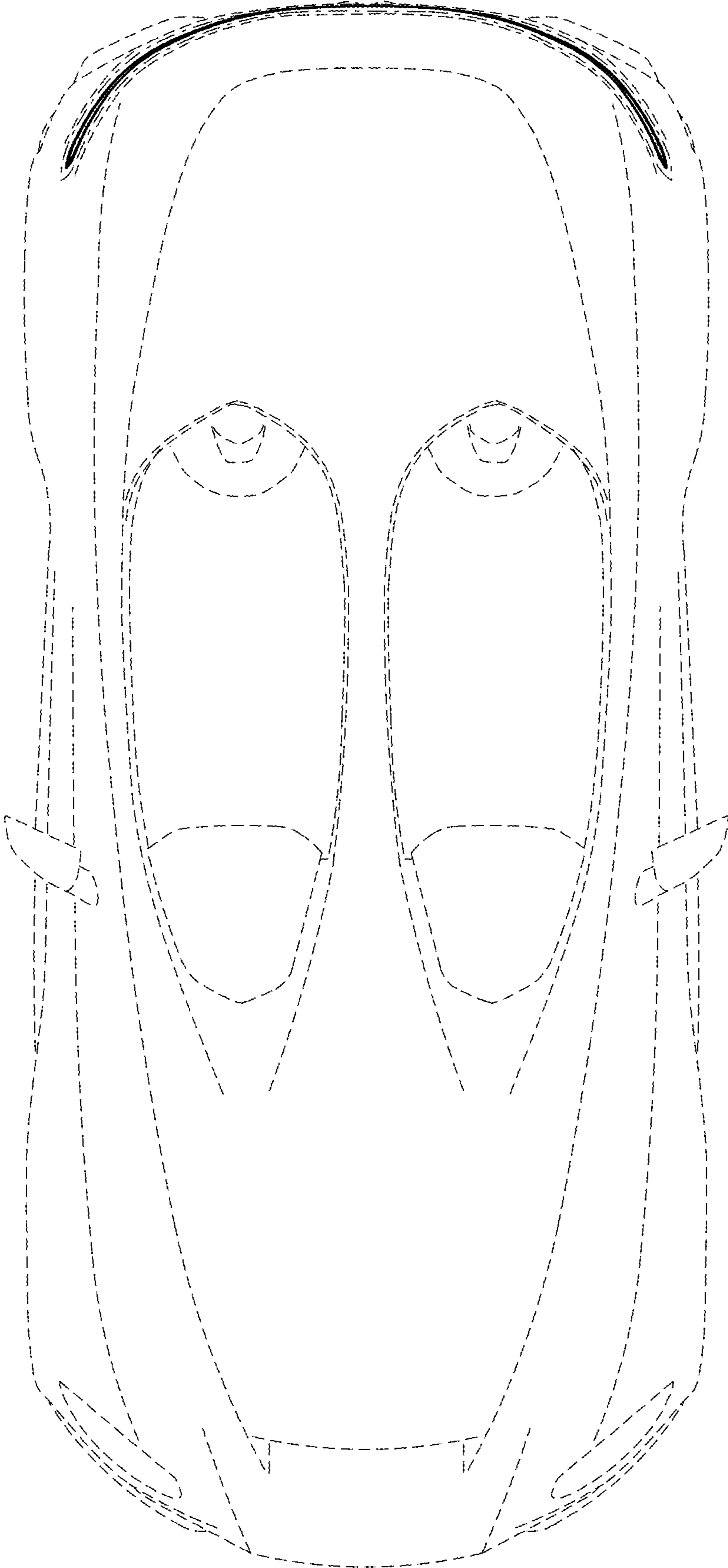


FIG. 3

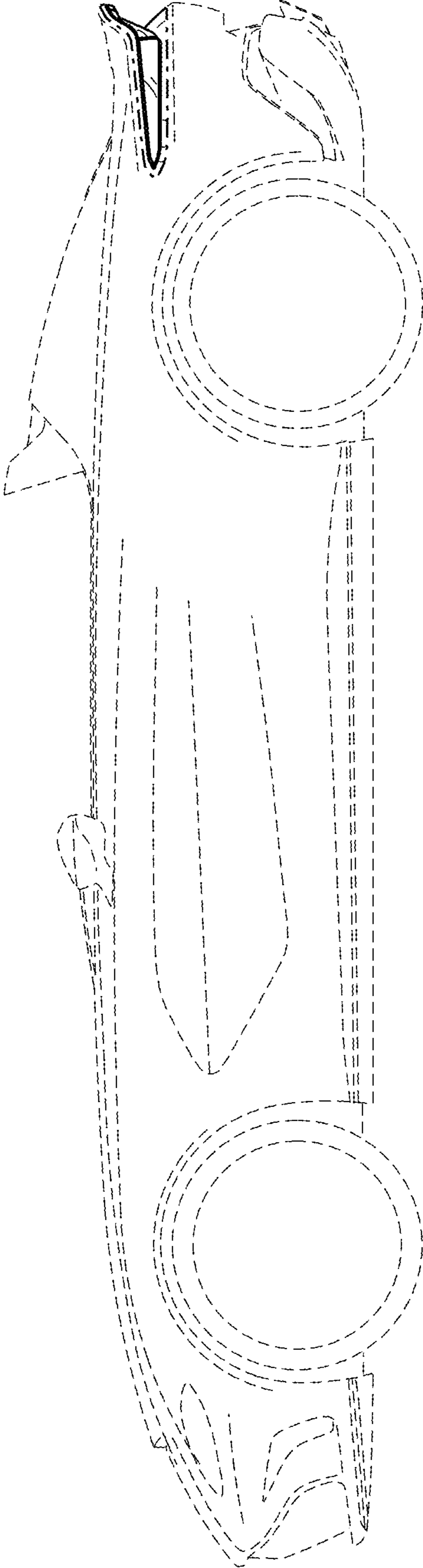


FIG. 4

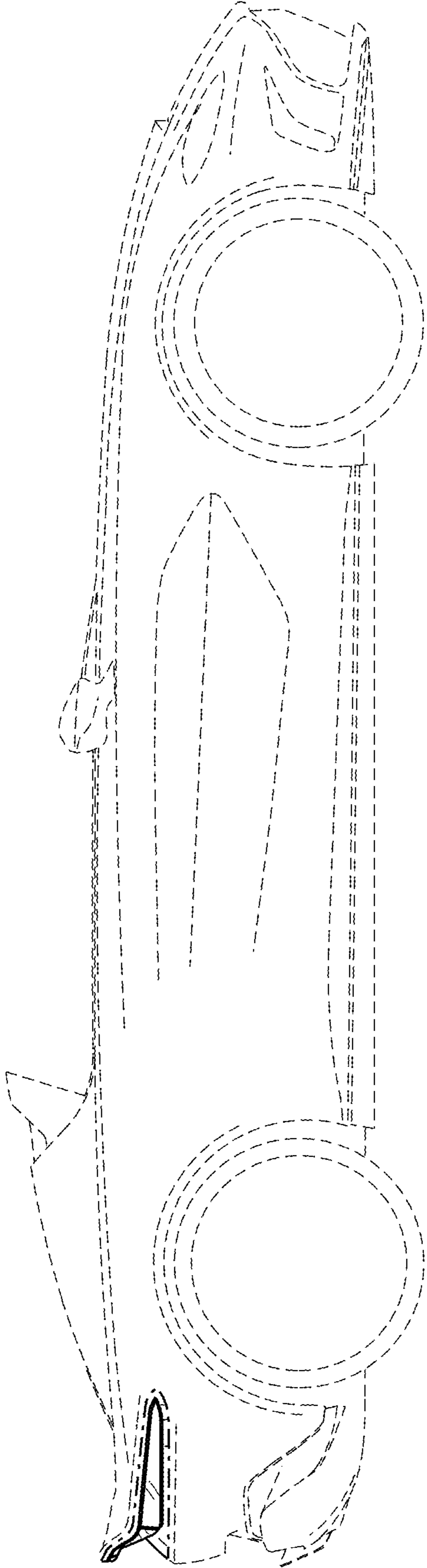


FIG. 5

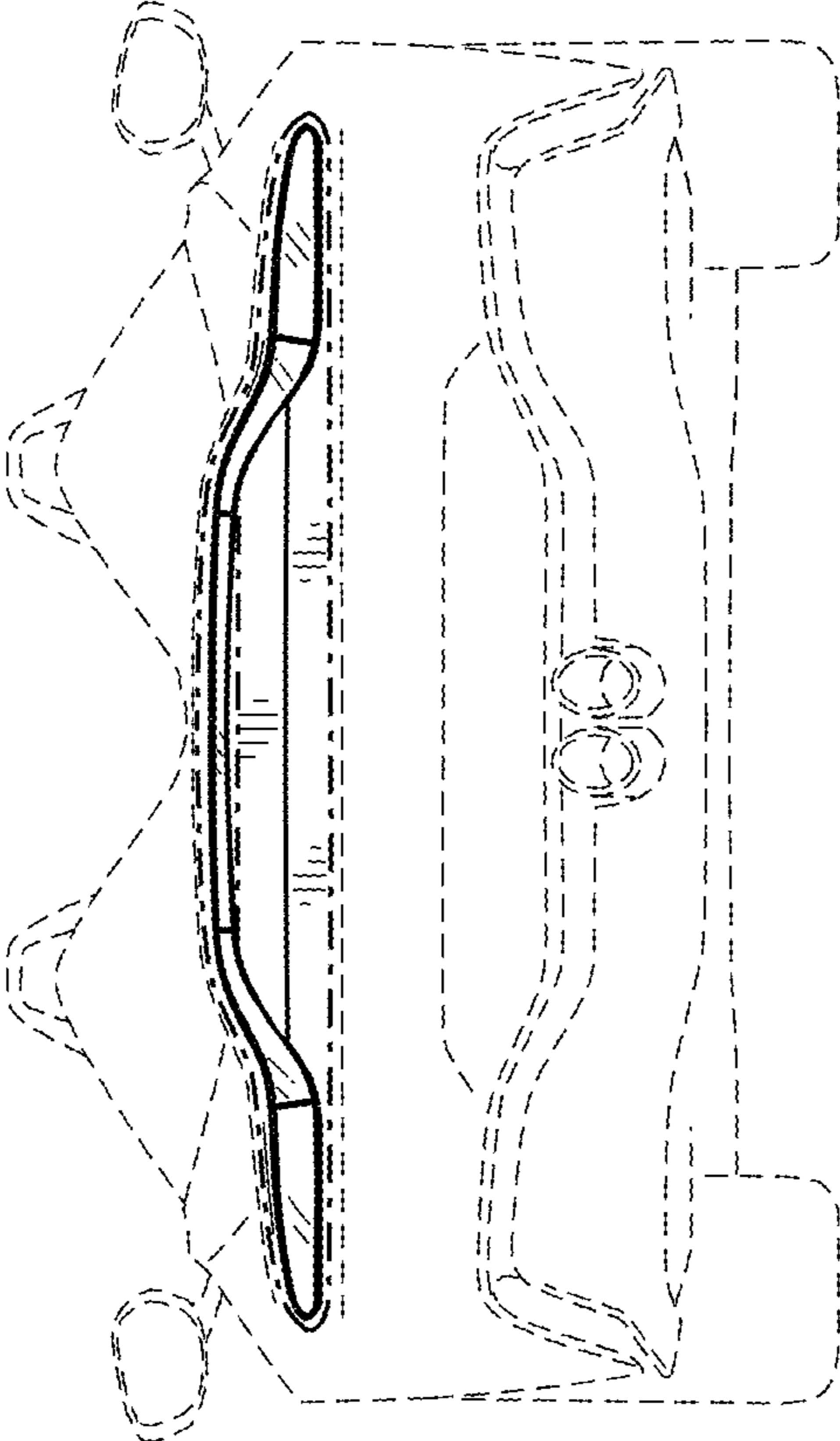


FIG. 6