



US00D926649S

(12) **United States Design Patent**
Wang et al.

(10) **Patent No.:** **US D926,649 S**
(45) **Date of Patent:** **** Aug. 3, 2021**

(54) **REMOTE CONTROLLER**

DESCRIPTION

- (71) Applicant: **SZ DJI TECHNOLOGY CO., LTD.**,
Shenzhen (CN)
- (72) Inventors: **Zhen Wang**, Shenzhen (CN); **Bo Liang**, Shenzhen (CN)
- (73) Assignee: **SZ DJI TECHNOLOGY CO., LTD.**,
Shenzhen (CN)
- (**) Term: **15 Years**
- (21) Appl. No.: **29/684,699**
- (22) Filed: **Mar. 22, 2019**
- (51) **LOC (13) Cl.** **12-16**
- (52) **U.S. Cl.**
USPC **D12/174; D21/333; D21/566**
- (58) **Field of Classification Search**
USPC **D14/174, 218, 387-389, 400-418,**
D14/426-431, 443, 449-450, 454, 471,
D14/511; D21/333, 363, 368; D12/174
(Continued)

(56) **References Cited**

U.S. PATENT DOCUMENTS

- D710,945 S * 8/2014 Biheller D21/333
 - D741,952 S * 10/2015 Nokuo D21/329
- (Continued)

FOREIGN PATENT DOCUMENTS

- CN 303877421 10/2016
 - CN 304194814 7/2017
- (Continued)

Primary Examiner — Michael C Stout

Assistant Examiner — Melvin L Davis

(74) *Attorney, Agent, or Firm* — Anova Law Group,
PLLC

(57) **CLAIM**

The ornamental design for a remote controller, as shown and described.

FIG. 1 is a front perspective view of a remote controller in accordance with the present disclosure;

FIG. 2 is a rear perspective view of the remote controller shown in FIG. 1;

FIG. 3 is a front view of the remote controller shown in FIG. 1;

FIG. 4 is a rear view of the remote controller shown in FIG. 1;

FIG. 5 is a left view of the remote controller shown in FIG. 1;

FIG. 6 is a right view of the remote controller shown in FIG. 1;

FIG. 7 is a top view of the remote controller shown in FIG. 1;

FIG. 8 is a bottom view of the remote controller shown in FIG. 1;

FIG. 9 is a front perspective view of a second embodiment in accordance with the present disclosure;

FIG. 10 is a rear perspective view of the remote controller shown in FIG. 9;

FIG. 11 is a front view of the remote controller shown in FIG. 9;

FIG. 12 is a back view of the remote controller shown in FIG. 9;

FIG. 13 is a left view of the remote controller shown in FIG. 9;

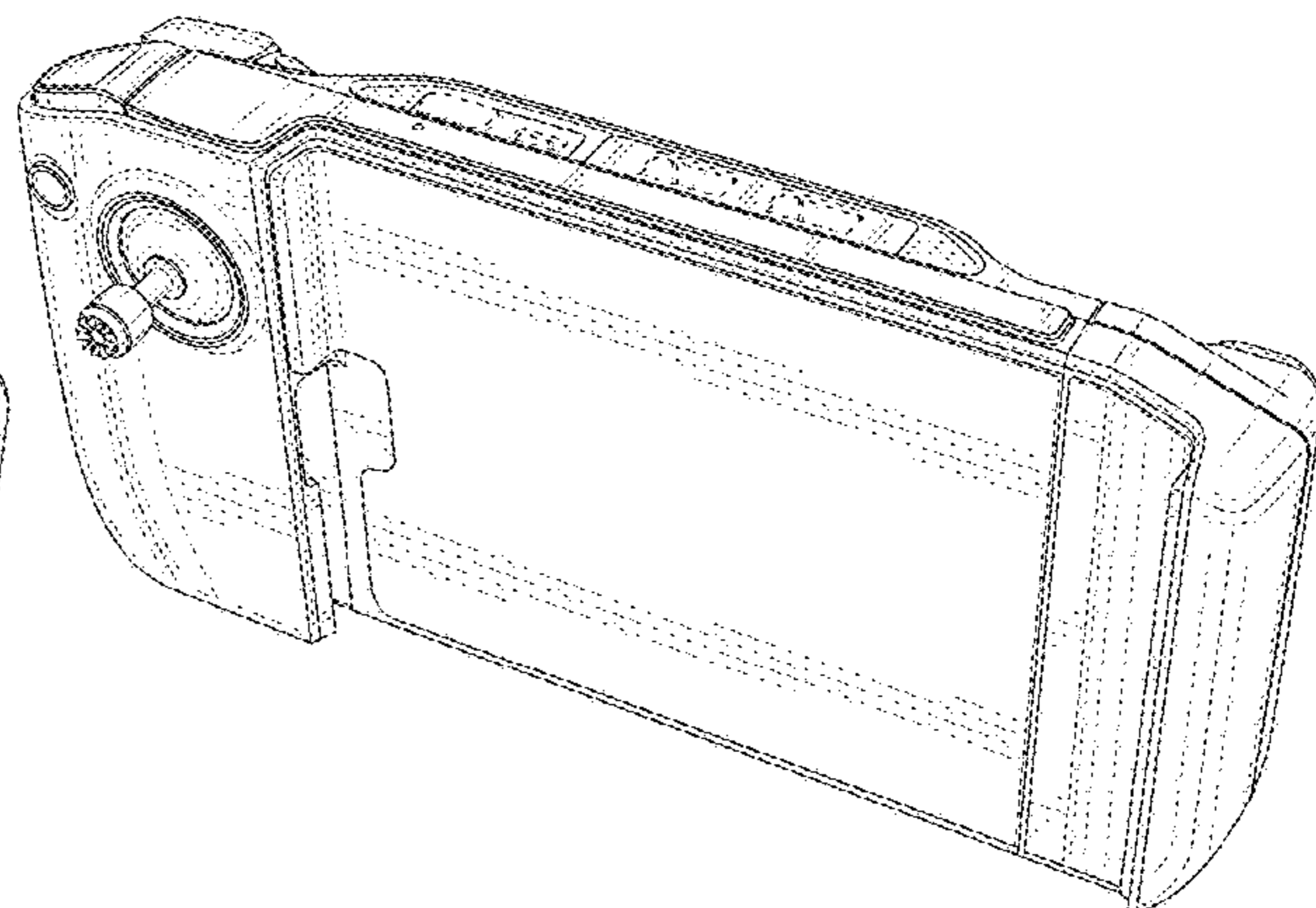
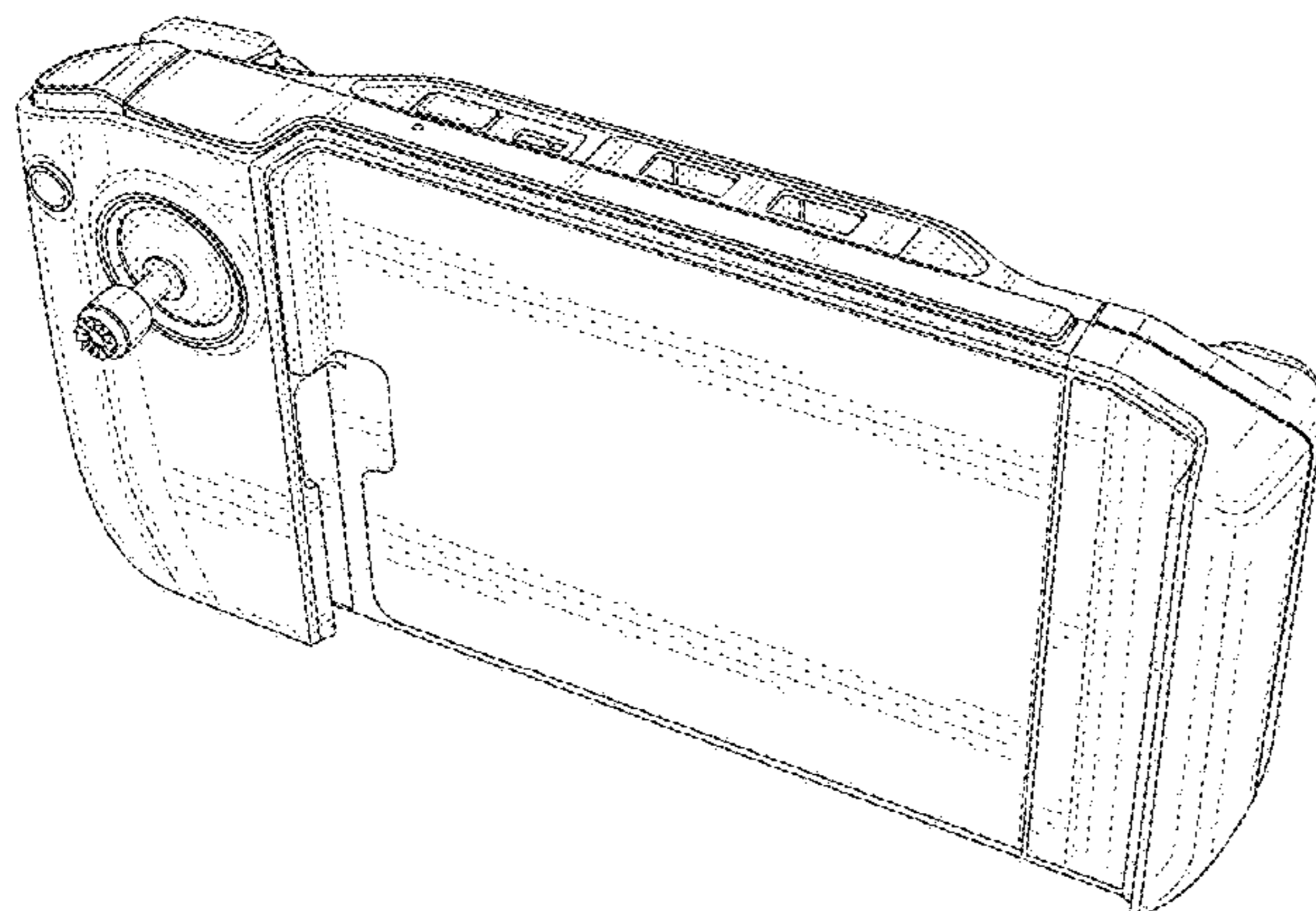
FIG. 14 is a right view of the remote controller shown in FIG. 9;

FIG. 15 is a top view of the remote controller shown in FIG. 9; and,

FIG. 16 is a bottom view of the remote controller shown in FIG. 9.

The broken lines in the figures show portions of the remote controller that form no part of the claimed design.

1 Claim, 16 Drawing Sheets



(58) **Field of Classification Search**

CPC A63F 13/42; A63F 13/98
See application file for complete search history.

(56) **References Cited**

U.S. PATENT DOCUMENTS

D776,023	S	*	1/2017	Allison	D12/175
D776,763	S	*	1/2017	Schoenith	D21/333
D815,211	S	*	4/2018	Buller	D21/333
D829,139	S	*	9/2018	Jiang	D12/174
D840,884	S	*	2/2019	Lu	D12/174
10,525,360	B1	*	1/2020	Corigliano	A63F 13/92
D875,180	S	*	2/2020	Wang	D21/333
D884,799	S	*	5/2020	Buller	D21/392
D892,115	S	*	8/2020	Gan	D14/401
D912,155	S	*	3/2021	Yang	D21/333
2015/0061264	A1	*	3/2015	Pohanka	B62D 1/06 280/728.2

FOREIGN PATENT DOCUMENTS

JP	D1449476	S	8/2012
KR	300913268	S	7/2017

* cited by examiner

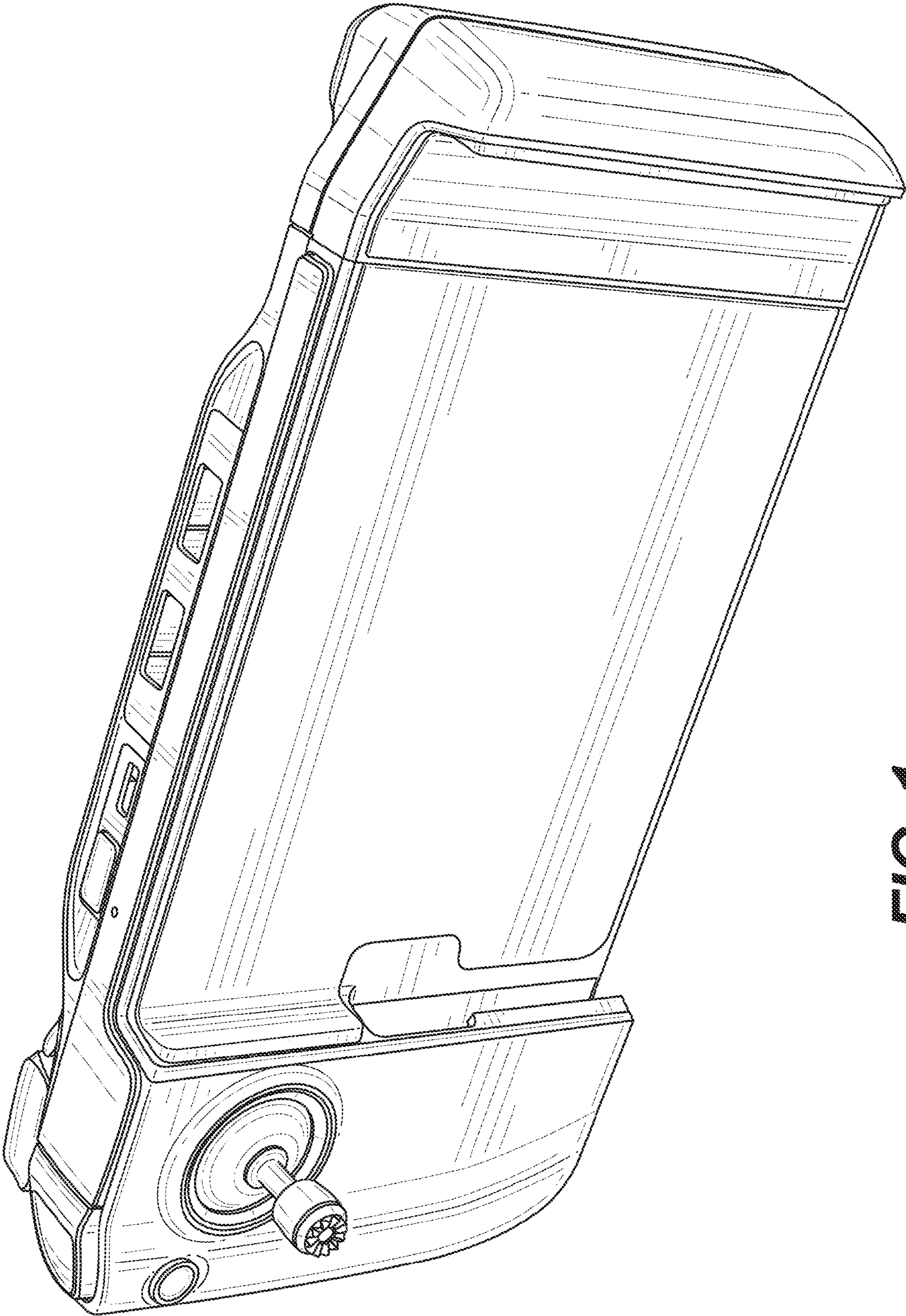


FIG. 1



FIG. 2

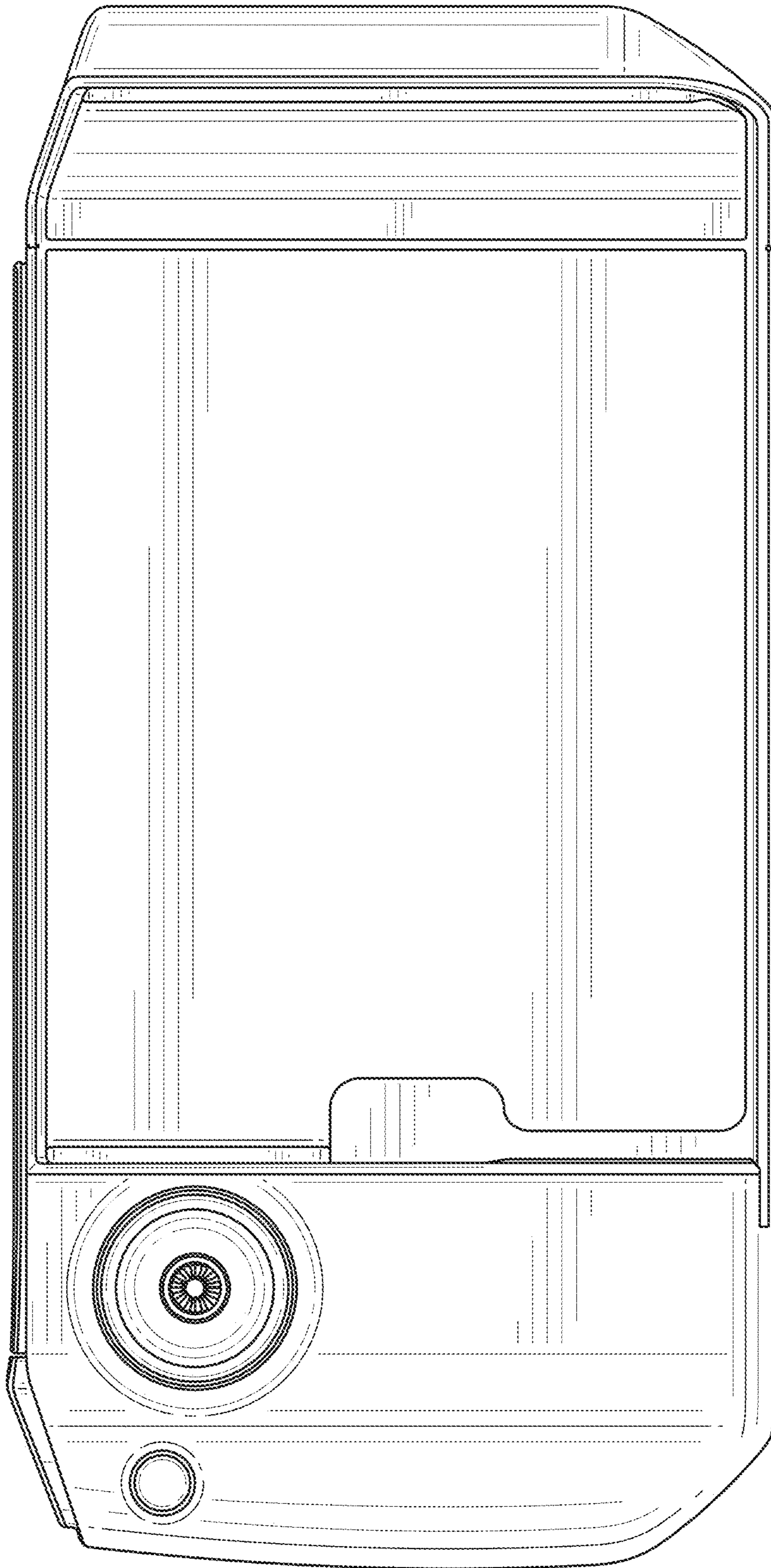


FIG. 3

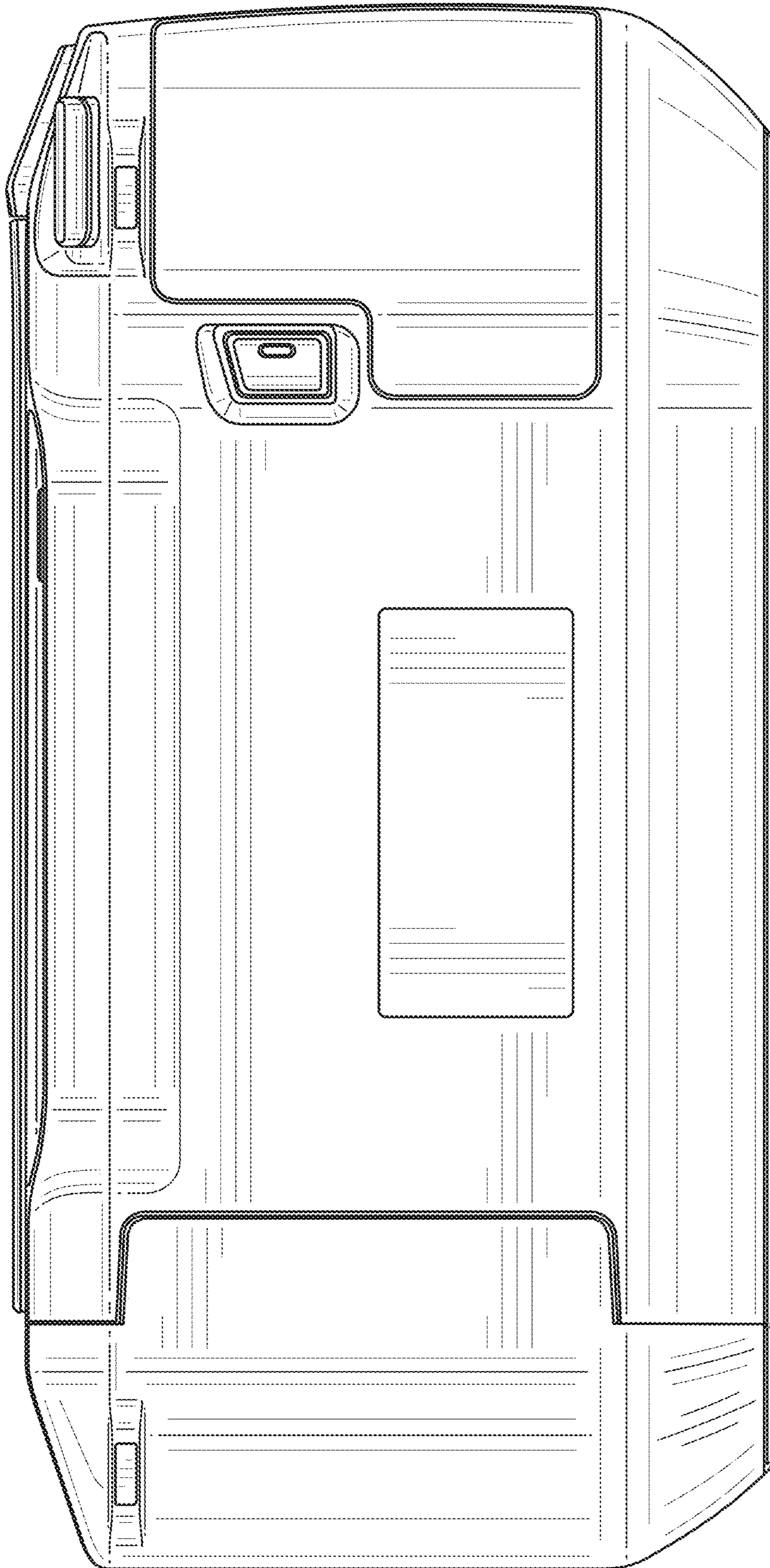


FIG. 4

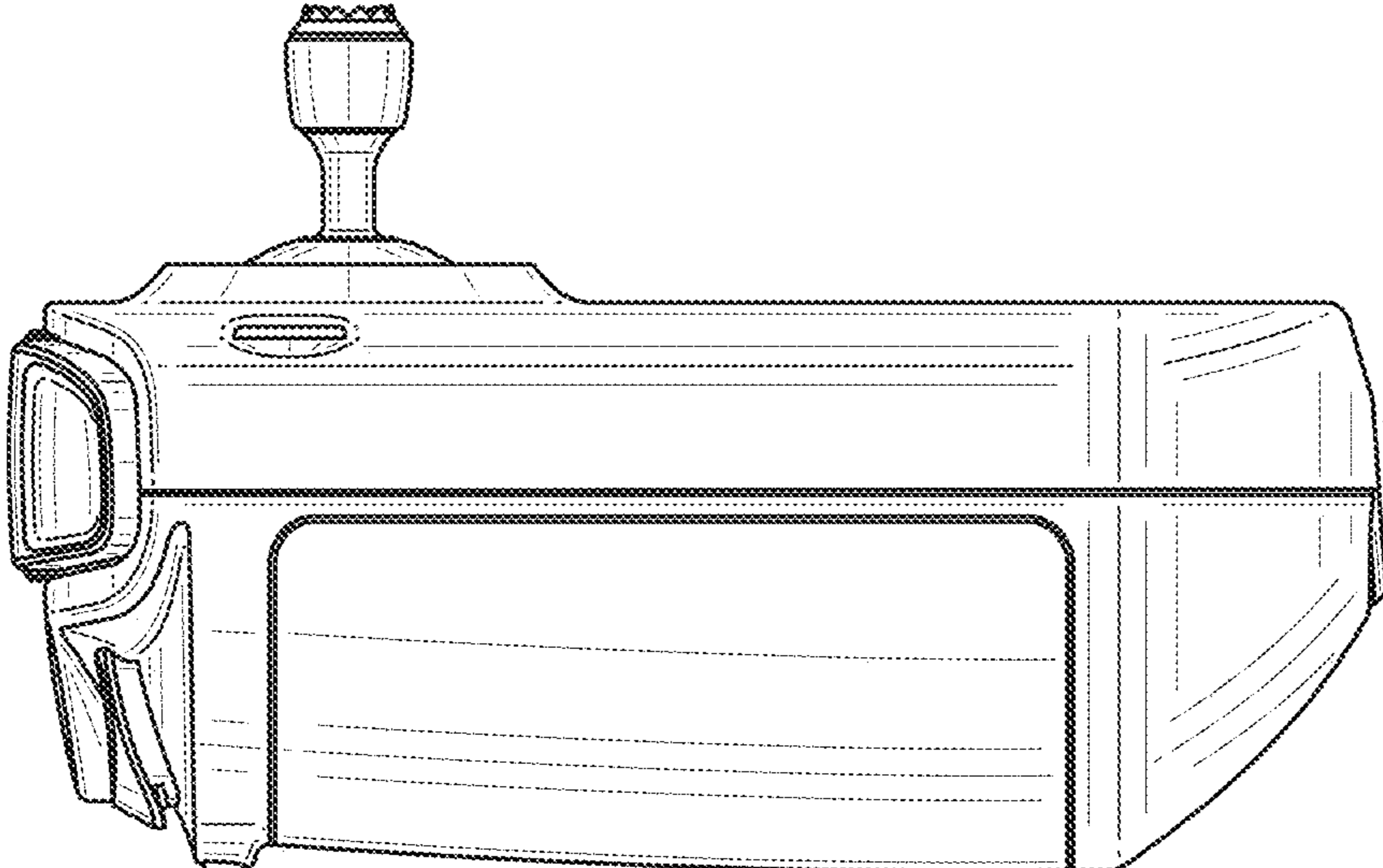


FIG. 5

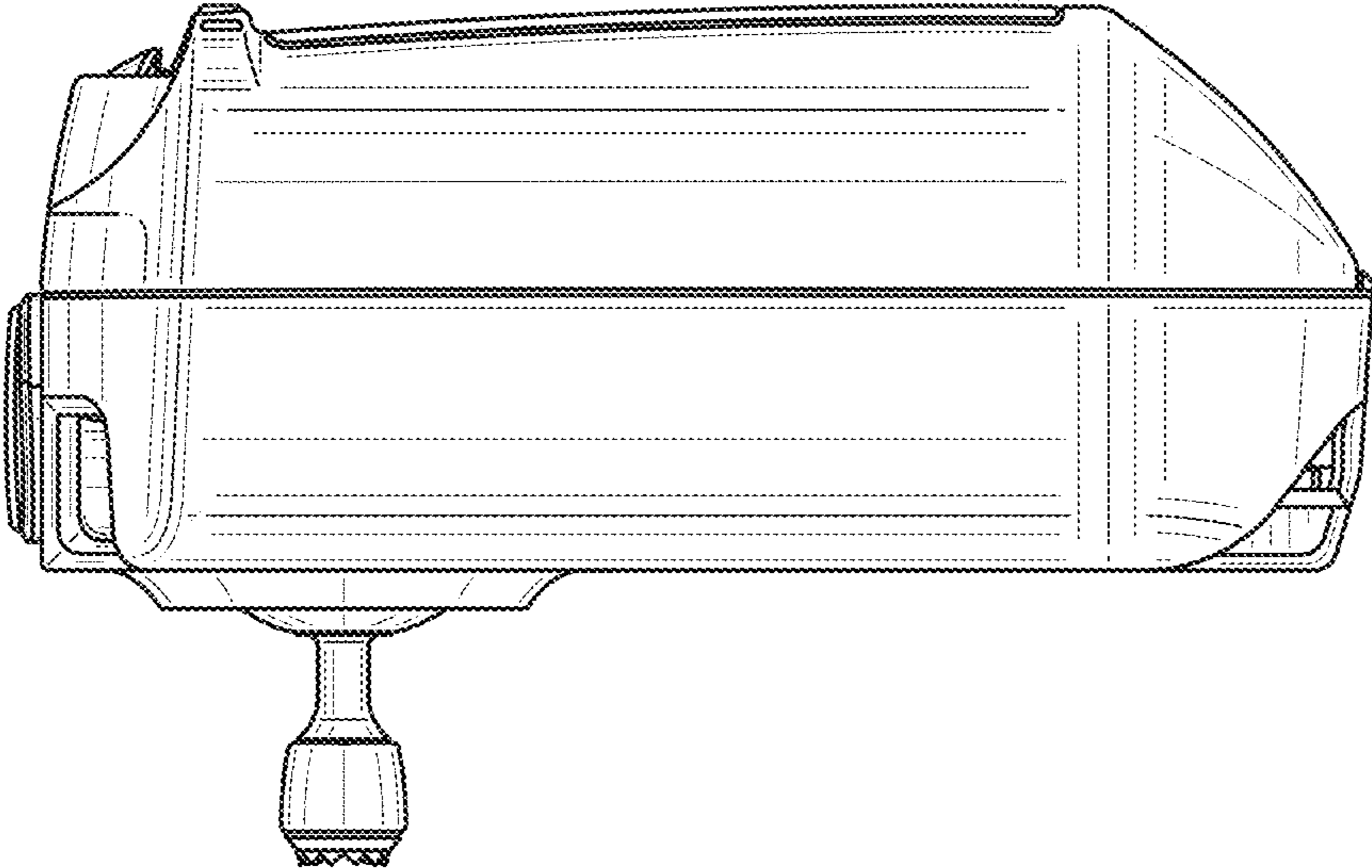


FIG. 6

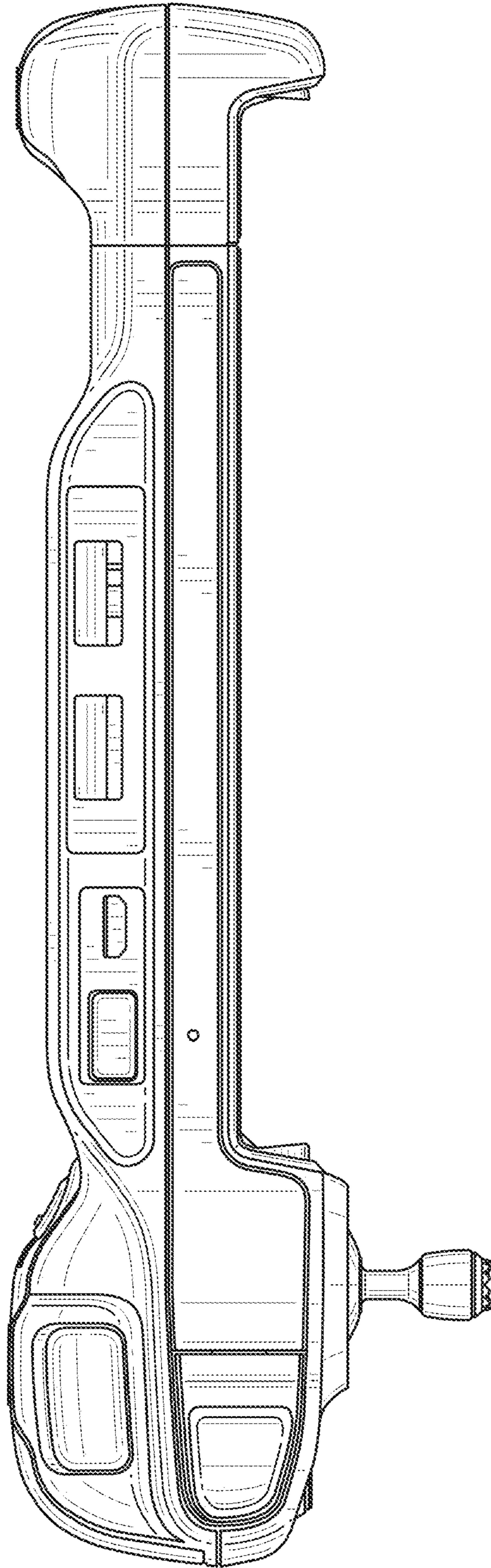


FIG. 7

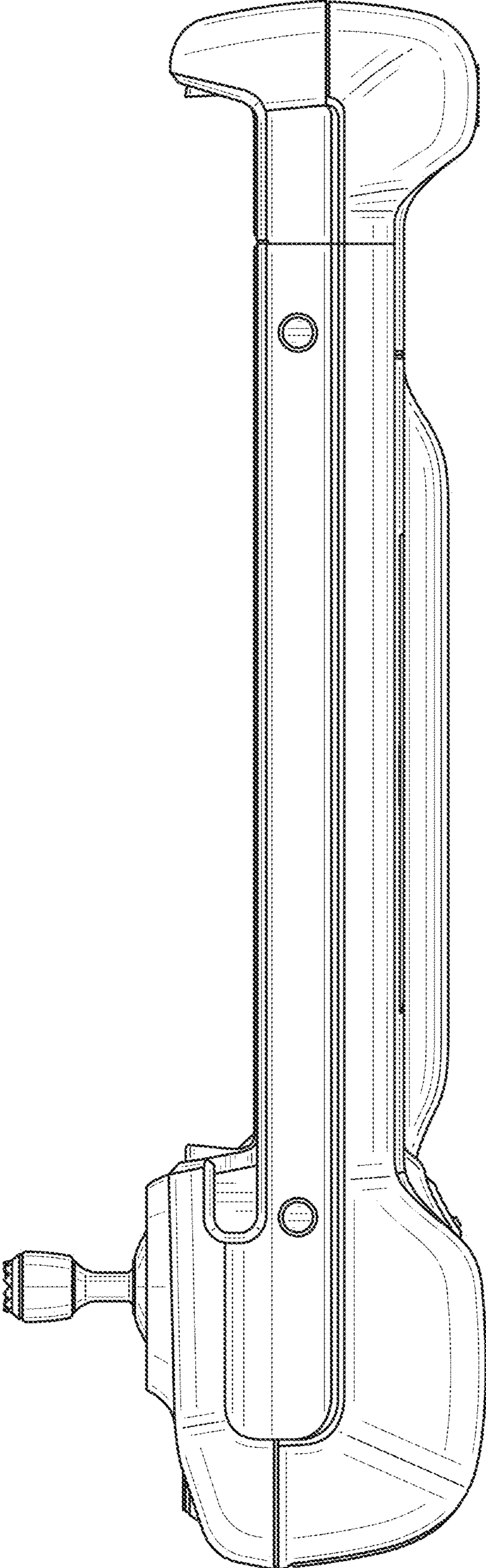


FIG. 8

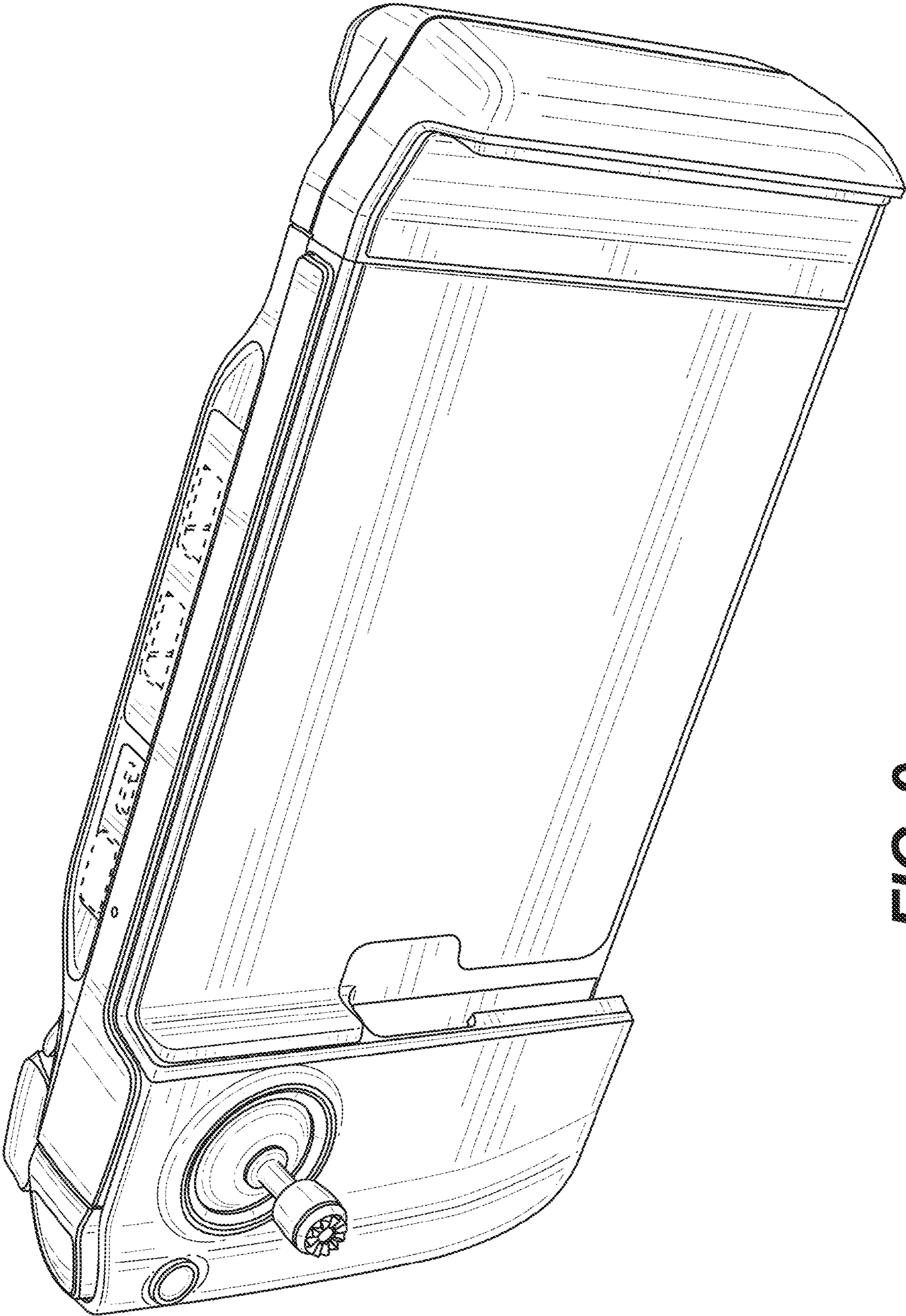


FIG. 9

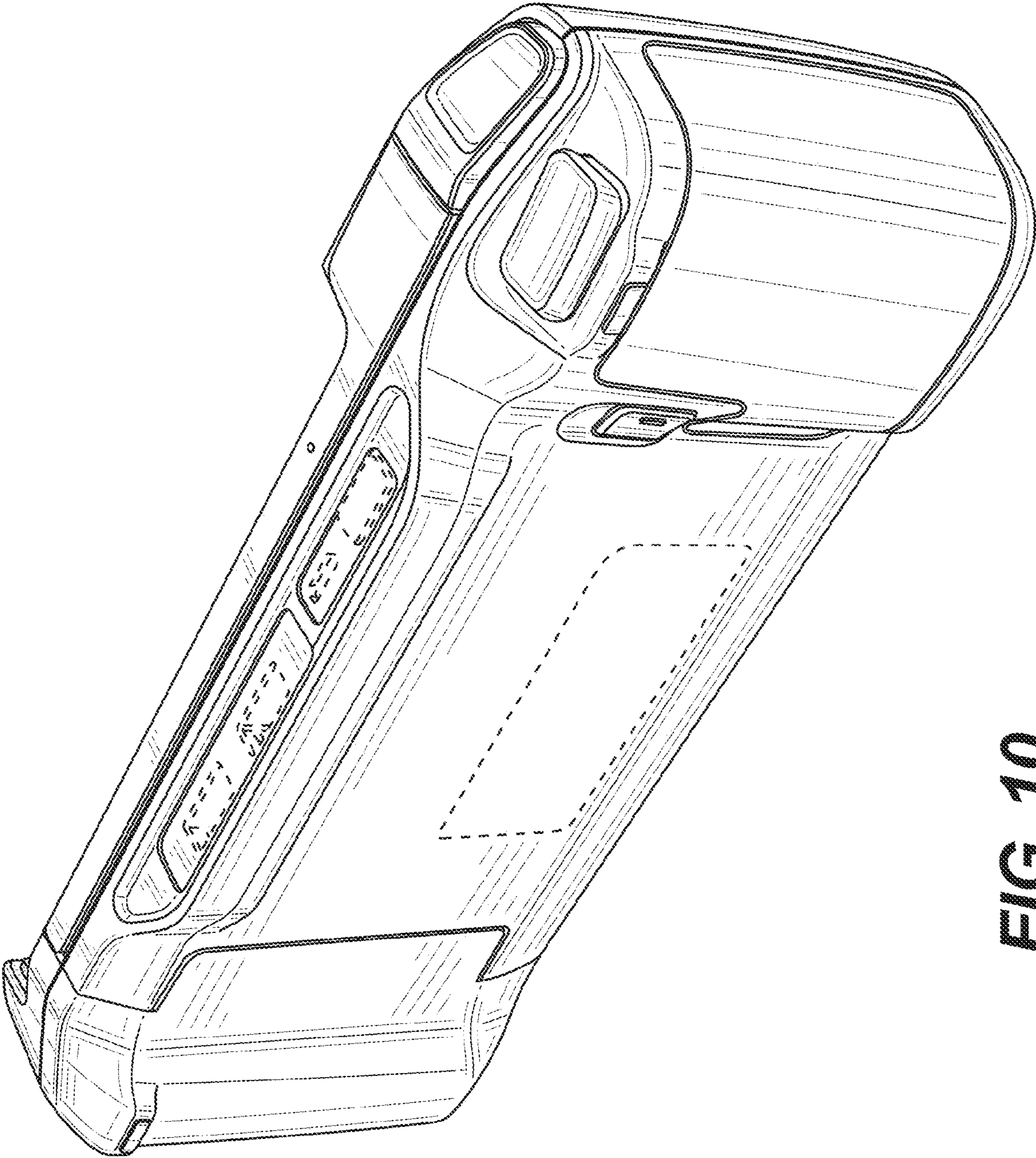


FIG. 10

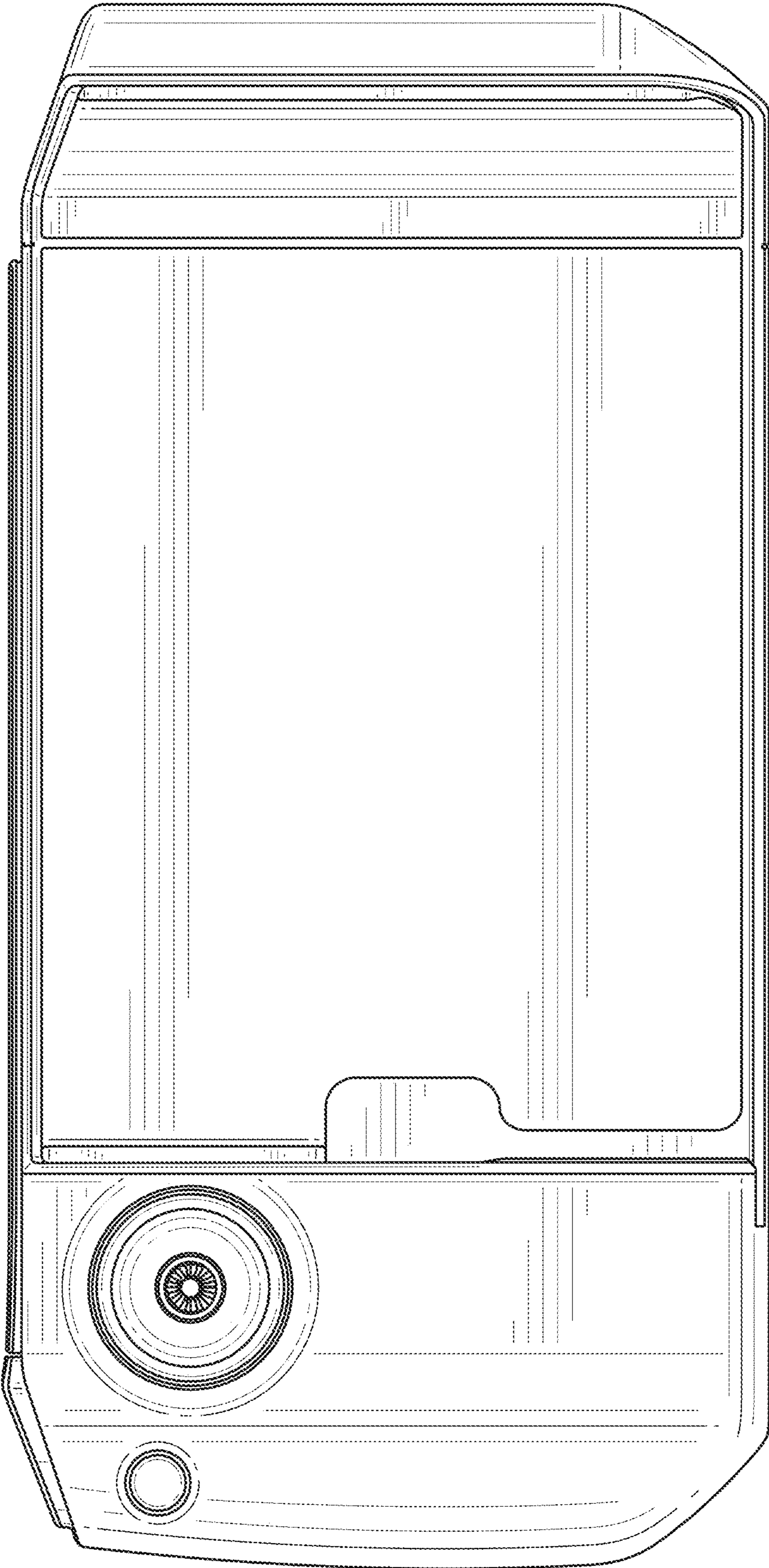


FIG. 11

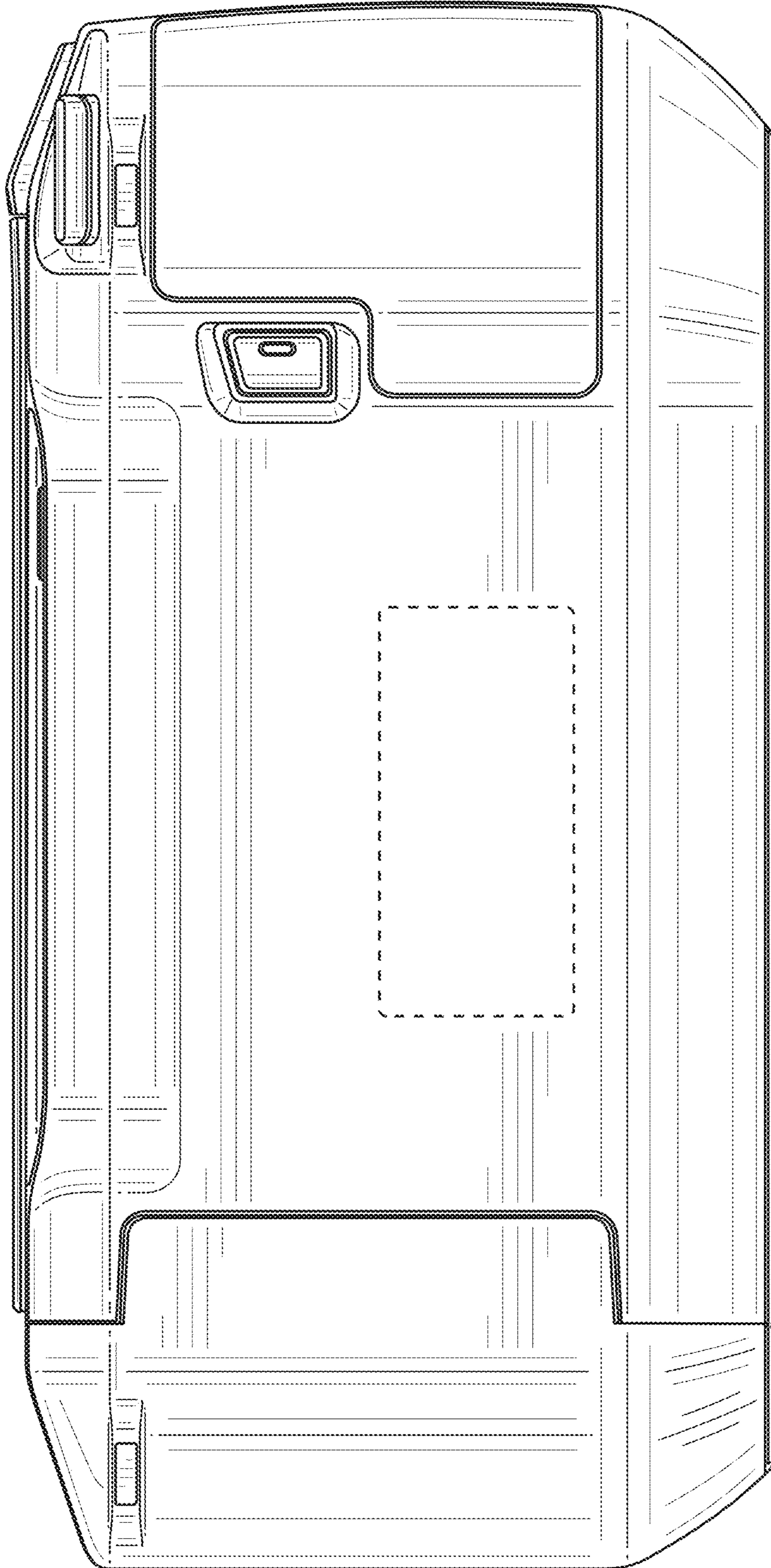


FIG. 12

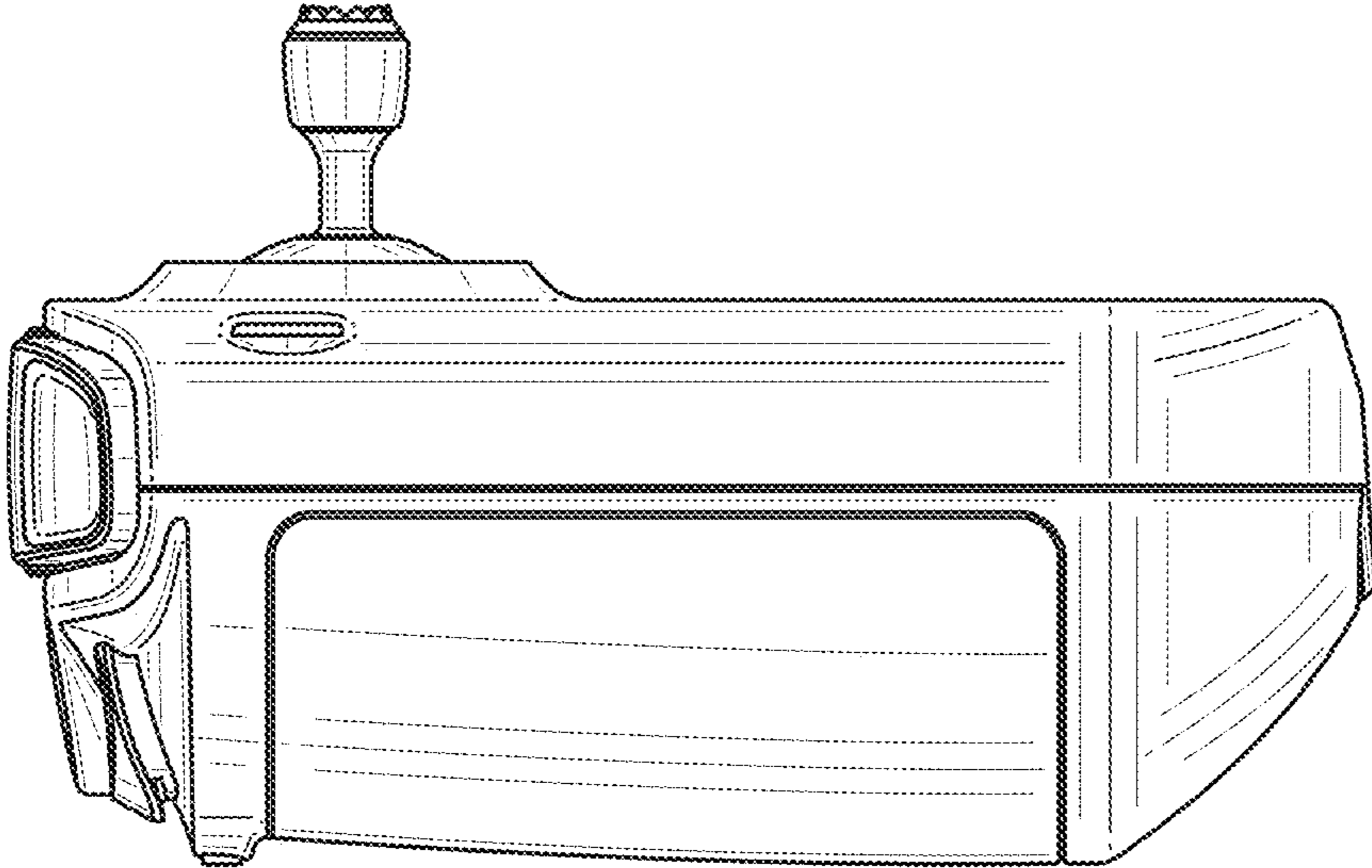


FIG. 13

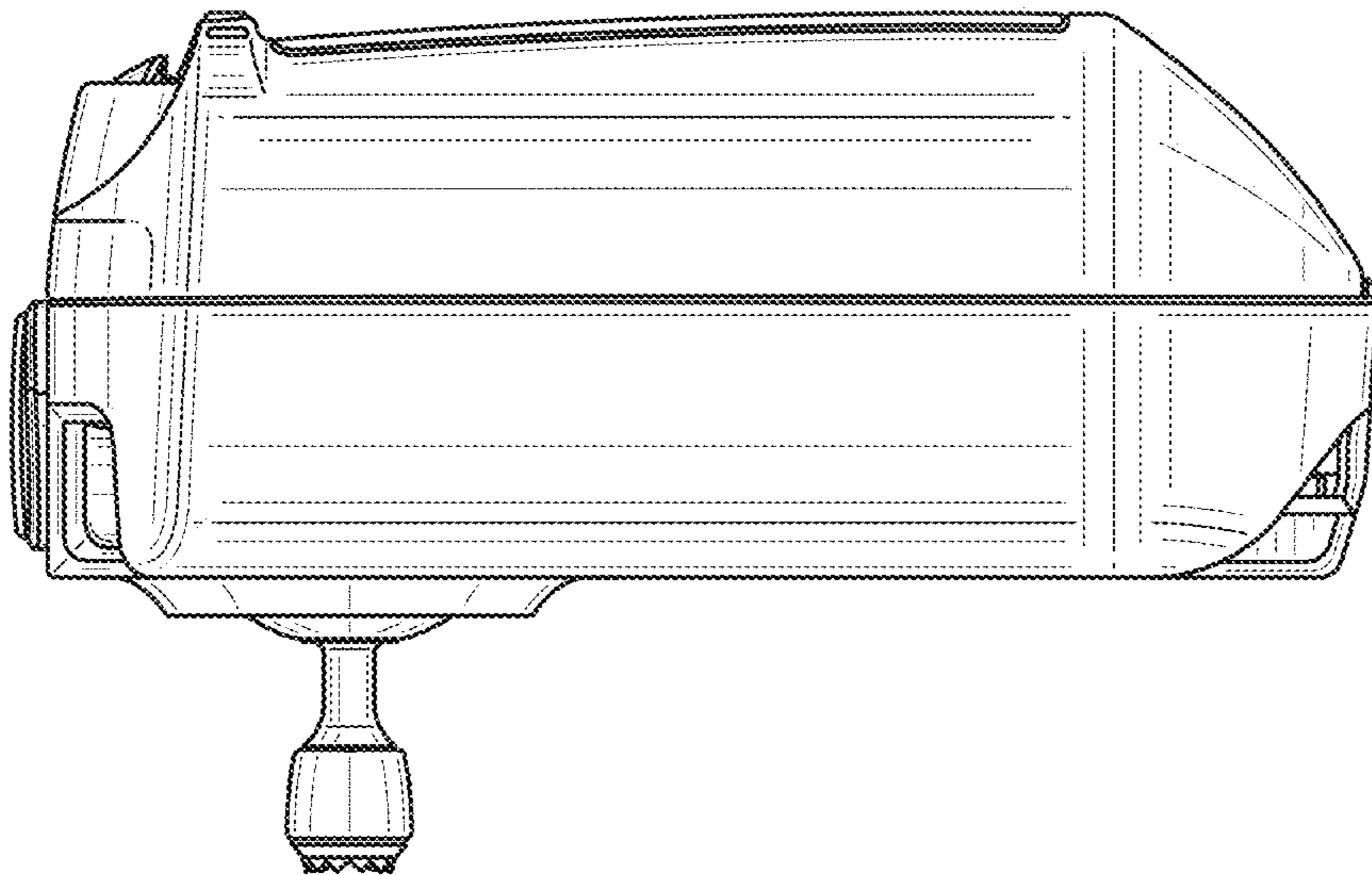


FIG. 14

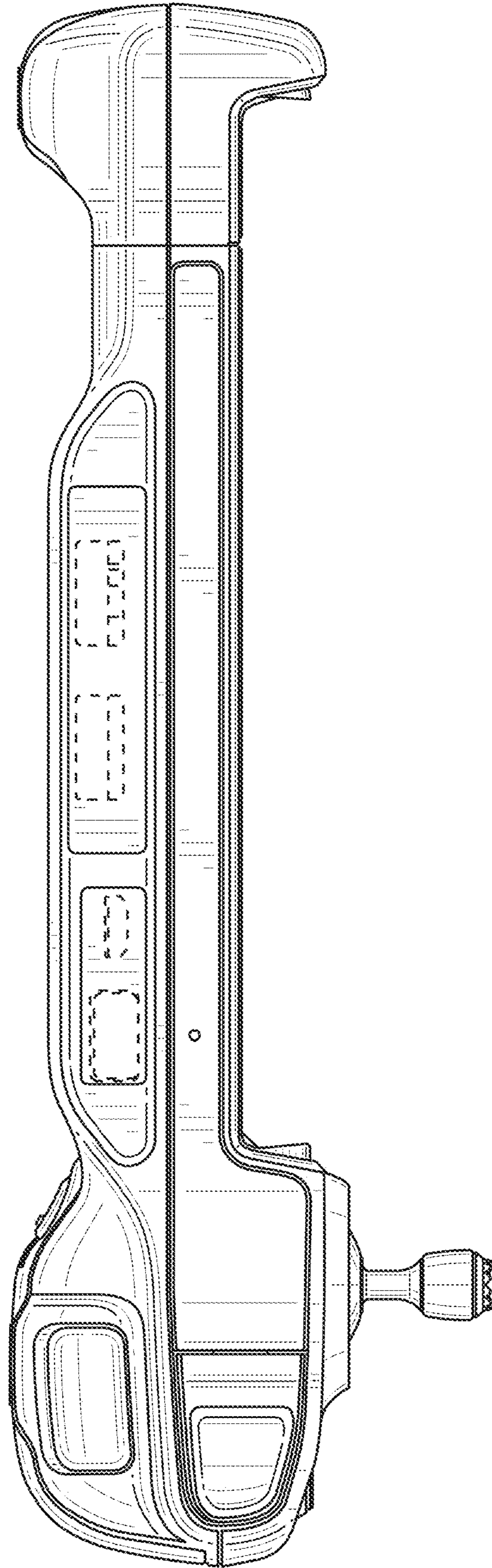


FIG. 15

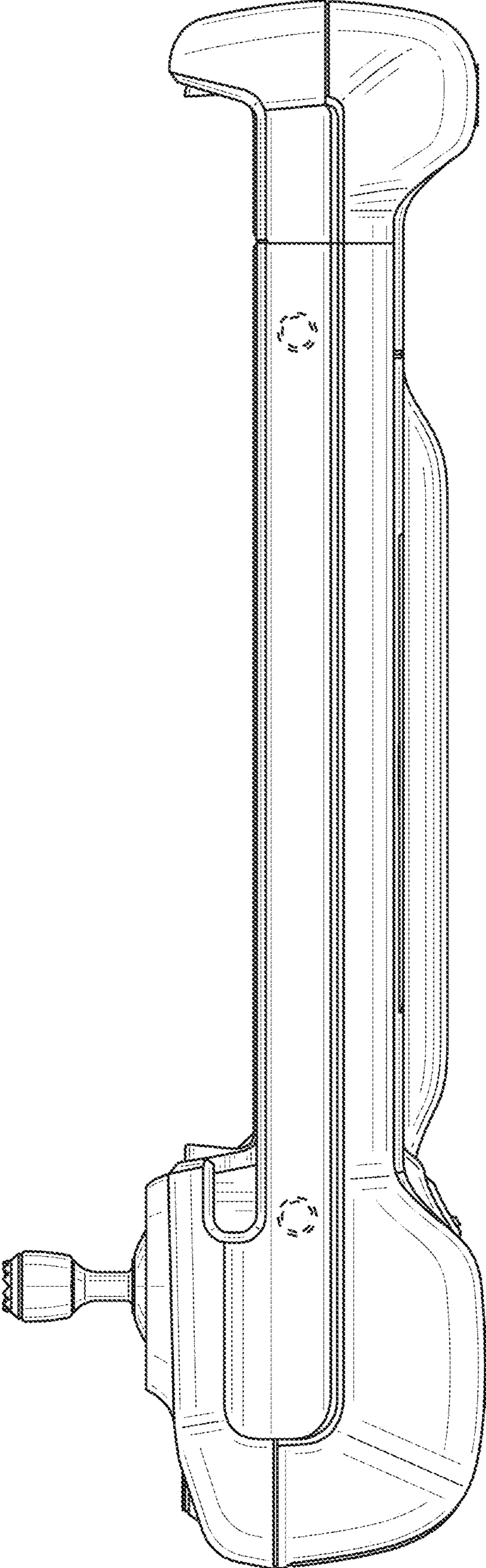


FIG. 16