



US00D926645S

(12) **United States Design Patent**
Goodrich et al.

(10) **Patent No.:** **US D926,645 S**

(45) **Date of Patent:** **** Aug. 3, 2021**

(54) **FRONT AIR DAM**

(71) Applicants: **Stephen Goodrich**, Clawson, MI (US);
Brian H. Nielander, Royal Oak, MI
(US); **Mark T. Allen**, Oxford, MI (US)

(72) Inventors: **Stephen Goodrich**, Clawson, MI (US);
Brian H. Nielander, Royal Oak, MI
(US); **Mark T. Allen**, Oxford, MI (US)

(73) Assignee: **FCA US LLC**, Auburn Hills, MI (US)

(**) Term: **15 Years**

(21) Appl. No.: **29/661,910**

(22) Filed: **Aug. 31, 2018**

(51) **LOC (13) Cl.** **12-16**

(52) **U.S. Cl.**
USPC **D12/169**

(58) **Field of Classification Search**
USPC D12/163, 169, 86, 90, 91, 92, 171, 184,
D12/196, 216, 400
CPC F16B 5/0664; B60R 19/02; B60R 19/18;
B60R 19/24; B60R 19/56; B62D 35/02;
B62D 35/005
See application file for complete search history.

(56) **References Cited**

U.S. PATENT DOCUMENTS

D348,705 S * 7/1994 Onopa D12/181
D580,319 S * 11/2008 Gueler D12/169
D607,383 S * 1/2010 Krauss D12/181
D753,562 S * 4/2016 Wolff D12/169
D775,026 S * 12/2016 Platto D12/181

D811,962 S * 3/2018 Sullivan D12/169
D811,966 S * 3/2018 Platto D12/169
D816,558 S * 5/2018 McMahan D12/169
D819,521 S * 6/2018 Platto D12/169
D825,408 S * 8/2018 Bucher D12/169
D852,698 S * 7/2019 Grewer D12/196
D853,904 S * 7/2019 Koo D12/169
D855,508 S * 8/2019 Wilkins D12/169
D867,232 S * 11/2019 Izard D12/169
D870,608 S * 12/2019 Dewitt D12/169
D874,992 S * 2/2020 Park D12/169
D877,014 S * 3/2020 Harriton D12/196
2017/0050594 A1 * 2/2017 Shi F16B 5/0664

* cited by examiner

Primary Examiner — Susan E Krakower

Assistant Examiner — Jerry Shiuian-Hua Hsu

(74) *Attorney, Agent, or Firm* — Ralph E. Smith

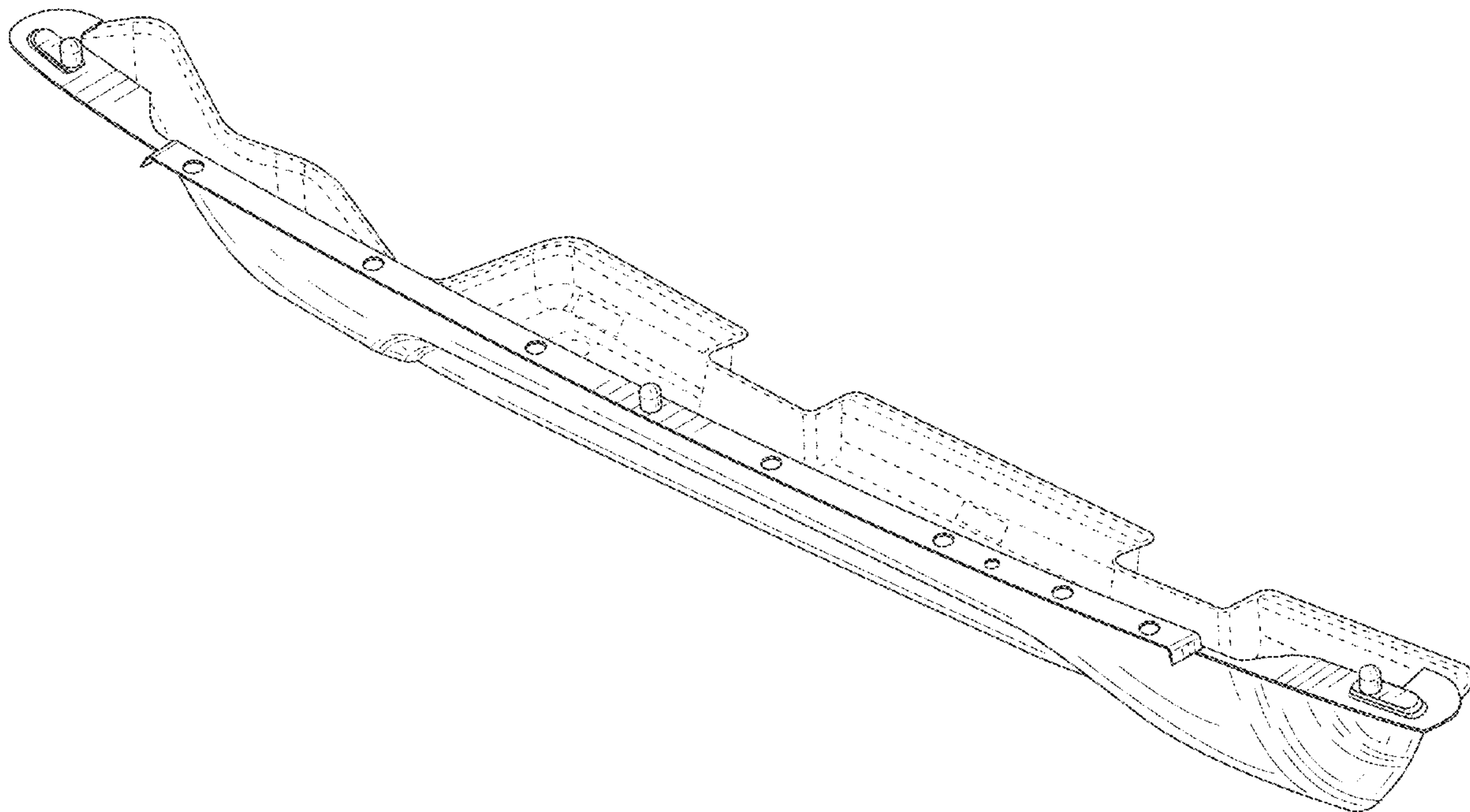
(57) **CLAIM**

The ornamental design for a front air dam, as shown and described.

DESCRIPTION

FIG. 1 is a front perspective view of a front air dam showing our new design;
FIG. 2 is a front view thereof;
FIG. 3 is a rear view thereof;
FIG. 4 is a right side view thereof;
FIG. 5 is a left side view thereof;
FIG. 6 is a bottom view thereof; and,
FIG. 7 is a top view thereof.
The broken lines illustrate portions of the front air dam that form no part of the claimed design.

1 Claim, 5 Drawing Sheets



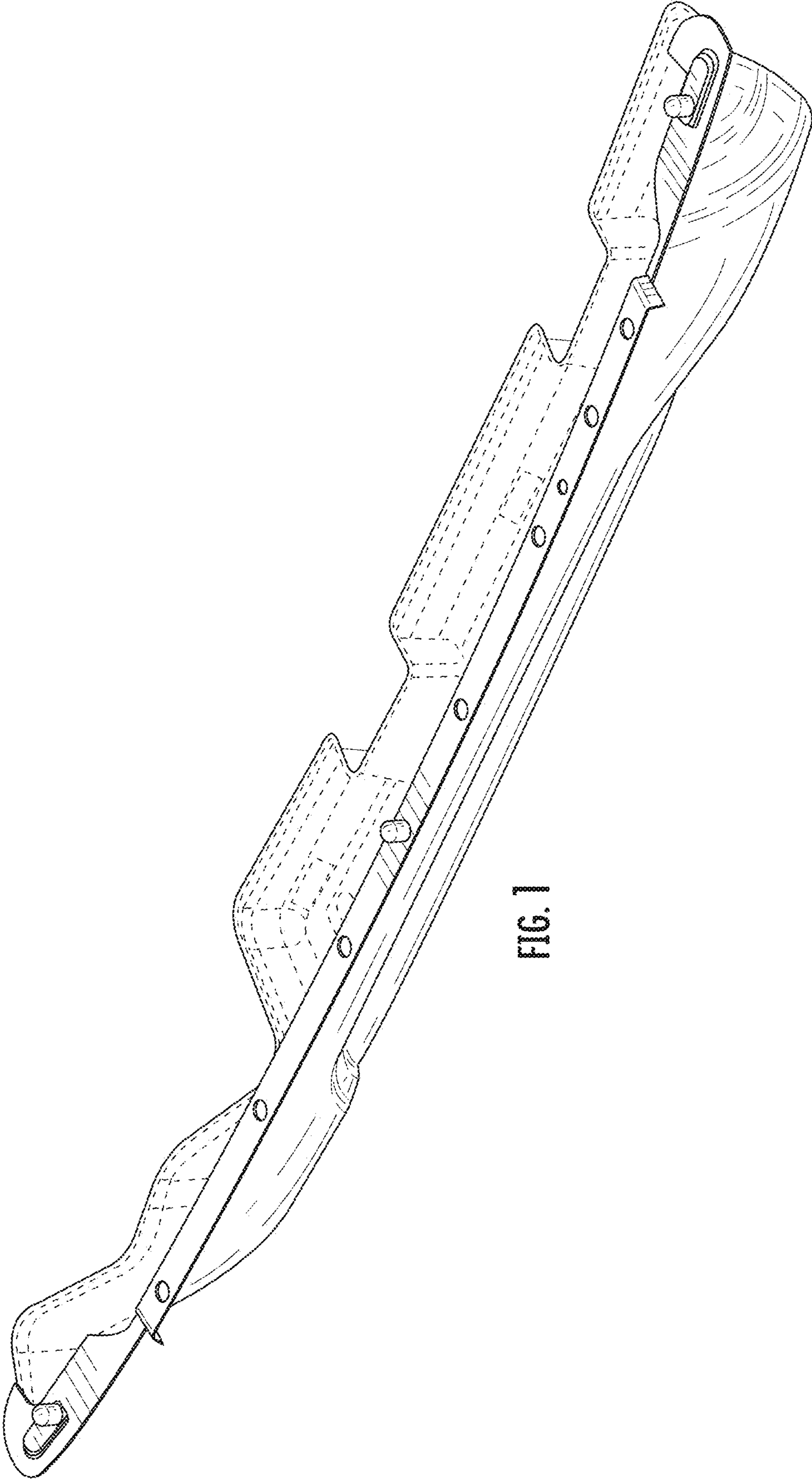


FIG. 1

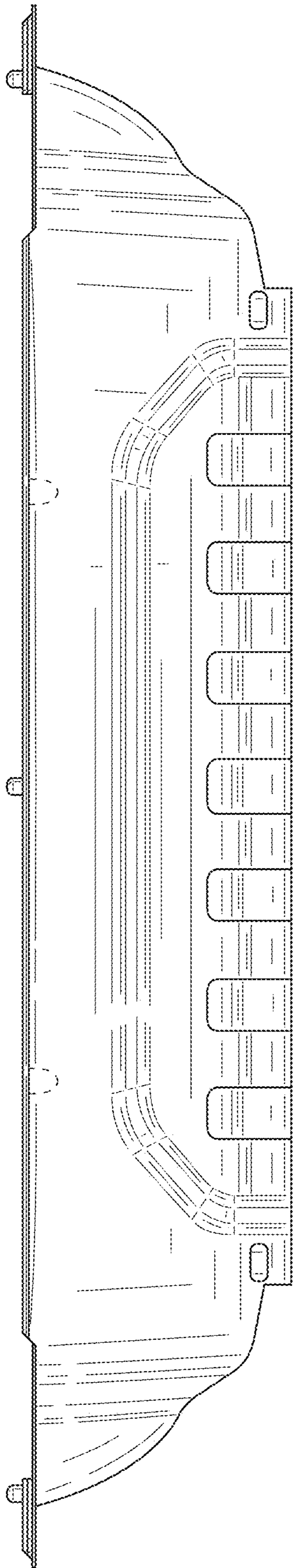


FIG. 2

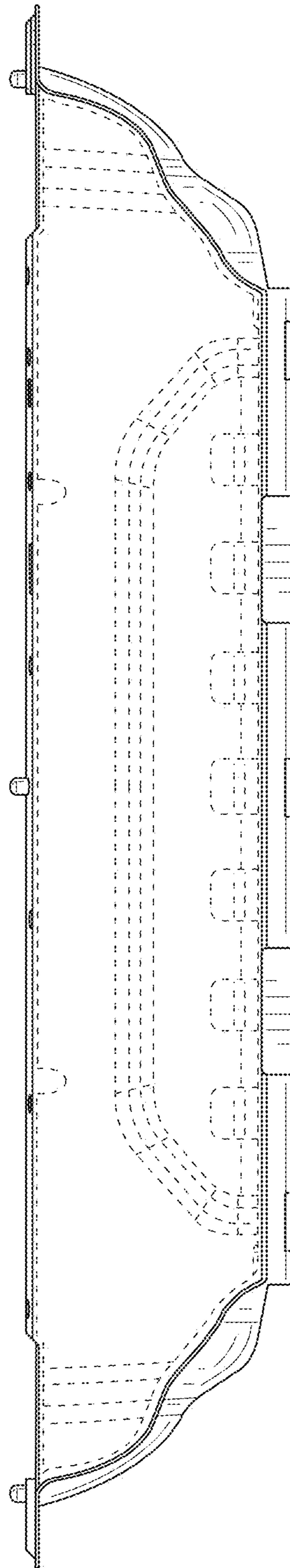


FIG. 3

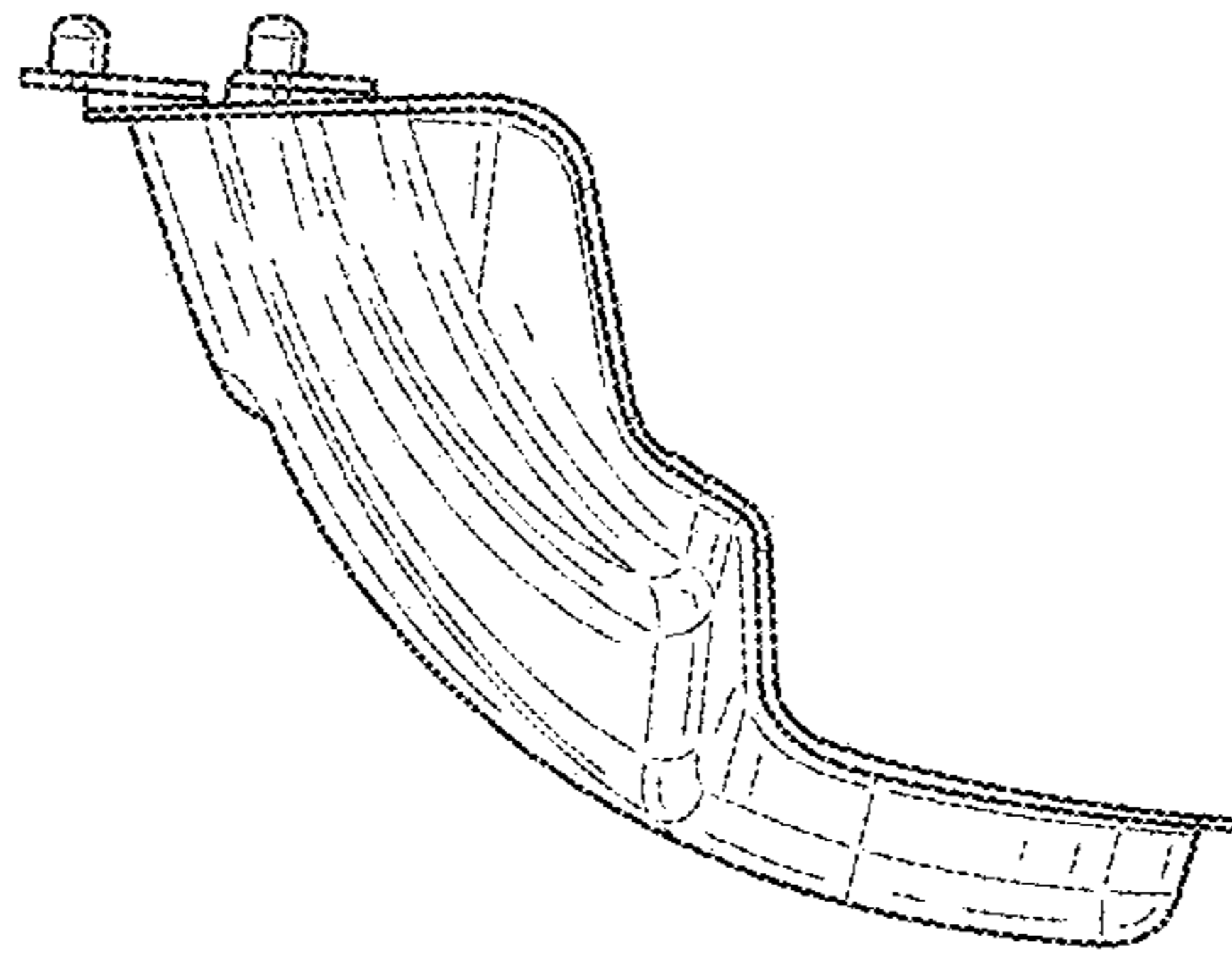


FIG. 4

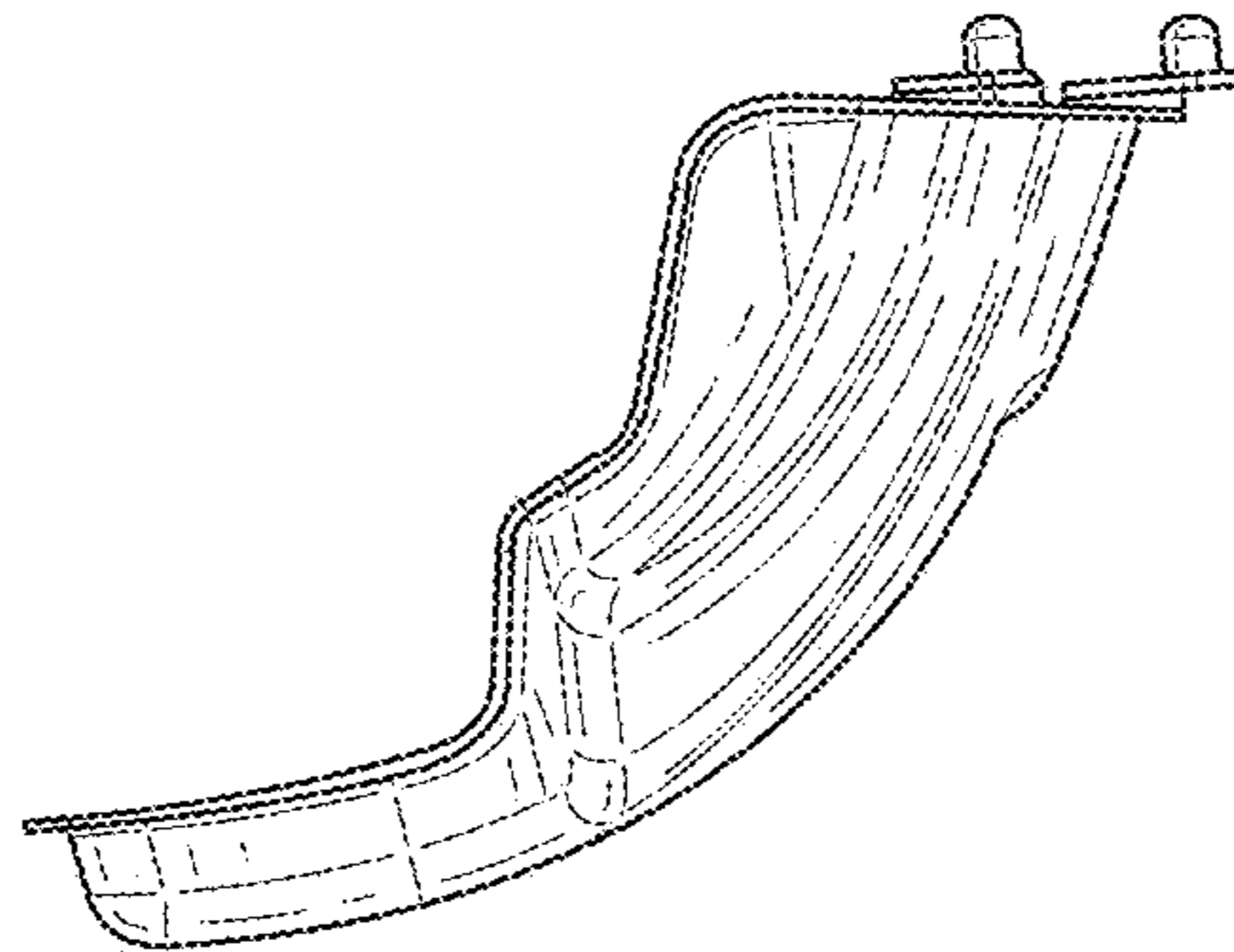


FIG. 5

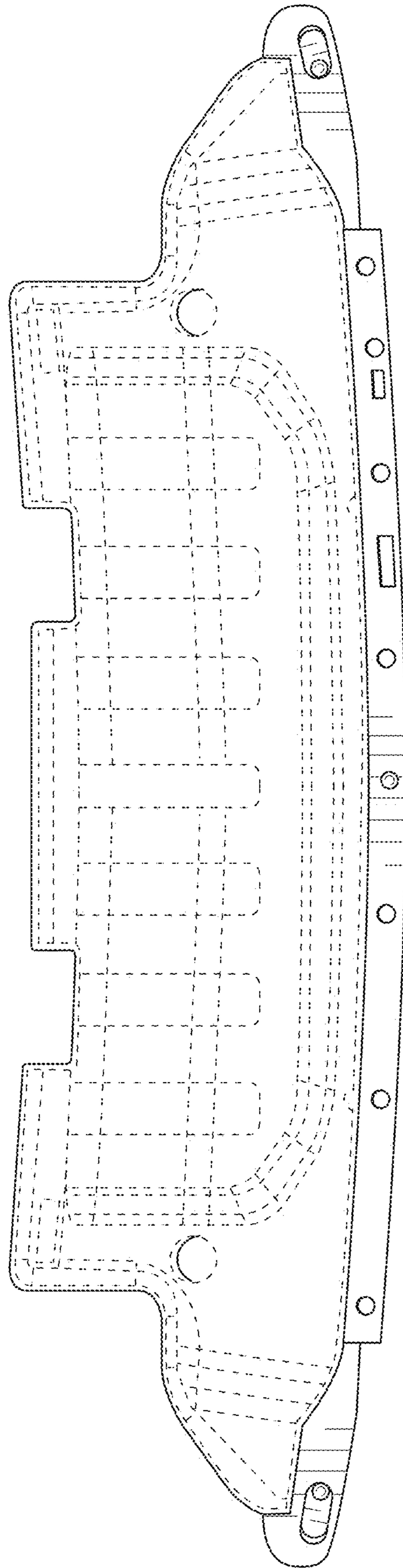


FIG. 6

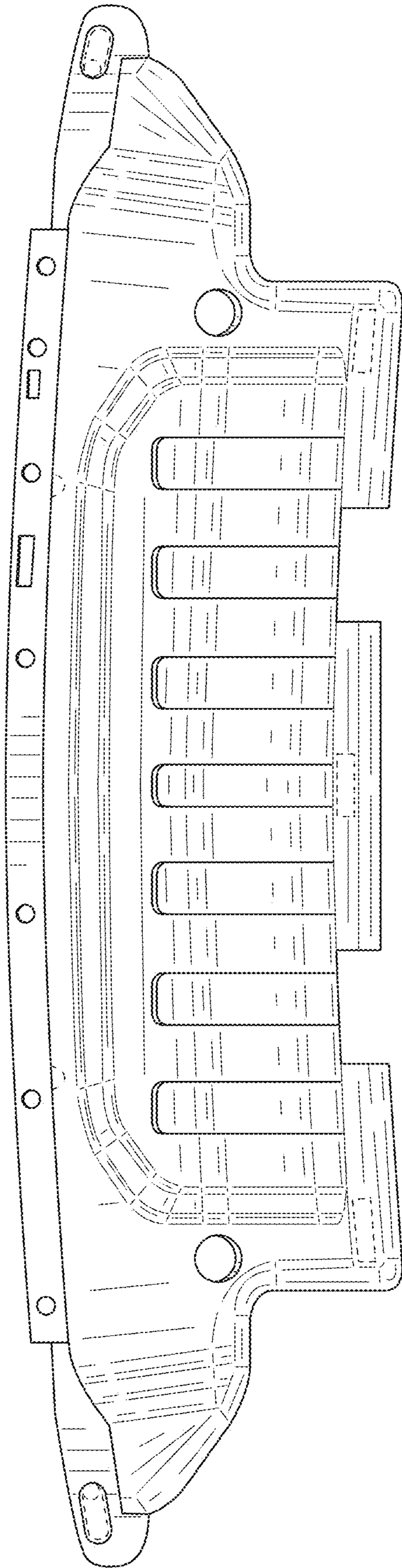


FIG. 7