

US00D926641S

(12) **United States Design Patent**  
**Durand**

(10) **Patent No.:** **US D926,641 S**

(45) **Date of Patent:** **\*\* Aug. 3, 2021**

(54) **VEHICLE STEERING LINKAGE COMPONENT**

(71) Applicant: **Michael Durand**, Placerville, CA (US)

(72) Inventor: **Michael Durand**, Placerville, CA (US)

(73) Assignee: **Kryptonite Products Inc.**, Carson City, NV (US)

(\*\*) Term: **15 Years**

(21) Appl. No.: **29/693,335**

(22) Filed: **May 31, 2019**

(51) **LOC (13) Cl.** ..... **12-16**

(52) **U.S. Cl.**  
USPC ..... **D12/160**

(58) **Field of Classification Search**  
USPC ..... D12/160, 174, 177, 223, 400, 1, 14, 15,  
D12/82, 84, 86, 90, 93, 95, 96, 99, 159,  
D12/175, 176, 190, 415; D15/138, 148,  
D15/199; D8/10, 99, 330, 333, 349, 354,  
D8/367

CPC ... B62D 7/00; B62D 7/16; B62D 7/02; B62D  
7/10; B62D 7/18; B64C 25/50; F16C  
11/0609; B60G 17/00; B60G 21/00;  
B62K 21/00

See application file for complete search history.

(56) **References Cited**

**U.S. PATENT DOCUMENTS**

2,152,506 A *	3/1939	Thorne	.....	B62D 7/00
				280/124.138
2,464,982 A *	3/1949	Leighton	.....	B62D 7/16
				280/93.508
2,479,339 A *	8/1949	Gair	.....	B62D 7/18
				280/93.508
2,541,827 A *	2/1951	Mosso	.....	B62D 7/20
				74/470
2,614,862 A *	10/1952	Alldredge	.....	F16C 11/06
				280/93.508

2,761,694 A *	9/1956	Graham	.....	B62D 7/16
				280/93.51
2,771,300 A *	11/1956	Latzen	.....	F16C 11/0619
				280/93.508
2,797,929 A *	7/1957	Herbenar	.....	F16C 11/04
				280/89.12
2,809,049 A *	10/1957	Carlson	.....	B62D 7/16
				280/93.508

(Continued)

**OTHER PUBLICATIONS**

Pitman Arms, www.quadratec.com [online]. Published on or before Nov. 7, 2020, [retrieved on Nov. 7, 2020], Retrieved from the Internet: <URL:https://www.quadratec.com/categories/jeep\_steering\_brake\_parts/pitman\_arms?kw=pitman%20arm> (Year: 2020).\*

*Primary Examiner* — Christian P. McLean

*Assistant Examiner* — Adam C Mager

(74) *Attorney, Agent, or Firm* — Temmerman Law; Mathew J. Temmerman

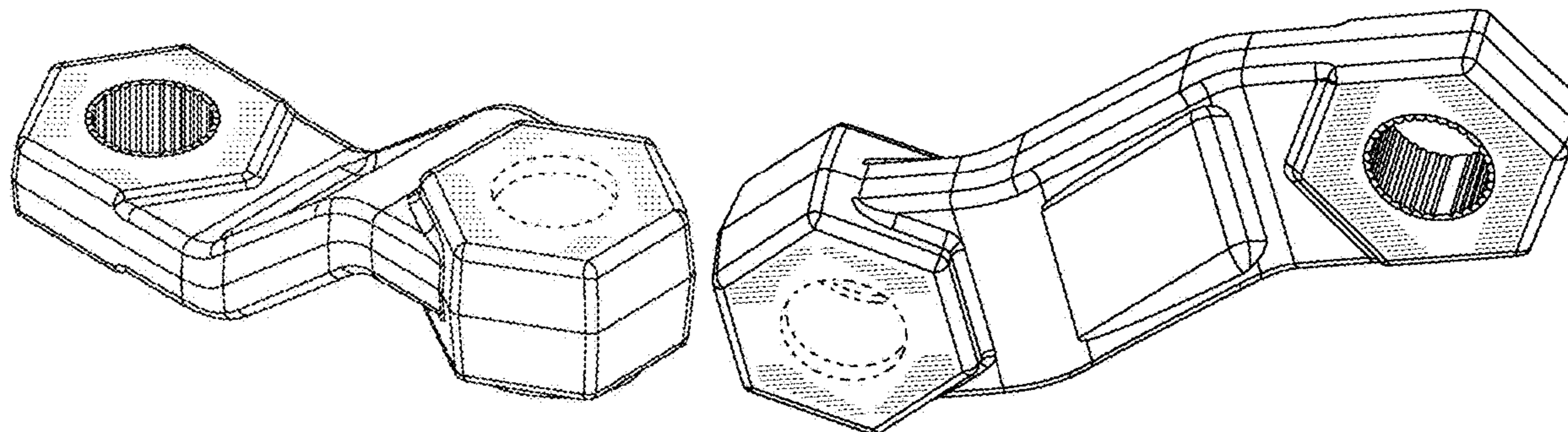
(57) **CLAIM**

I claim the ornamental design for my vehicle steering linkage component, as shown and described.

**DESCRIPTION**

FIG. 1 is an upper perspective view of a vehicle steering linkage component, showing my new design; FIG. 2 is a right side view thereof; FIG. 3 is a front side view thereof; FIG. 4 is a left side view thereof; FIG. 5 is a top side view thereof; FIG. 6 is a back view thereof; FIG. 7 is a bottom view thereof; and, FIG. 8 is a lower perspective view thereof. The broken line showing is for the purpose of illustrating portions of the vehicle steering linkage component that form no part of the claimed design.

**1 Claim, 4 Drawing Sheets**



(56)

**References Cited**

U.S. PATENT DOCUMENTS

3,010,733	A *	11/1961	Melton	.....	B62D 7/16	3,428,345	A *	2/1969	Ryszewski	.....	B62D 7/16
					280/93.508						403/165
3,010,746	A *	11/1961	Melton	.....	B62D 7/16	3,495,859	A *	2/1970	Hassan	.....	B62D 7/16
					403/123						403/145
3,028,172	A *	4/1962	Herbenar	.....	B62D 7/16	3,887,211	A *	6/1975	Mazur	.....	B62D 7/16
					280/93.508						280/86.758
3,059,950	A *	10/1962	Hedges	.....	F16C 11/0609	4,327,926	A *	5/1982	Suganuma	.....	B62D 7/16
					403/74						280/93.511
3,096,844	A *	7/1963	Sittel	.....	B62D 7/00	4,364,578	A *	12/1982	Ikeda	.....	B62D 7/10
					180/420						280/93.507
3,112,123	A *	11/1963	True	.....	F16C 11/08	4,471,922	A *	9/1984	Fairclough	.....	B62D 7/02
					280/93.509						180/438
3,219,372	A *	11/1965	Herbenar	.....	B62D 7/16	5,607,249	A *	3/1997	Maughan	.....	B62D 7/16
					403/7						403/120
3,352,583	A *	11/1967	Patton	.....	B62D 7/16	D402,617	S *	12/1998	Adams, III	.....	D12/160
					403/161	2003/0137120	A1 *	7/2003	Thompson	.....	F16C 11/06
											280/93.511
						2010/0124455	A1 *	5/2010	Zaloga	.....	F16C 11/02
											403/144

\* cited by examiner

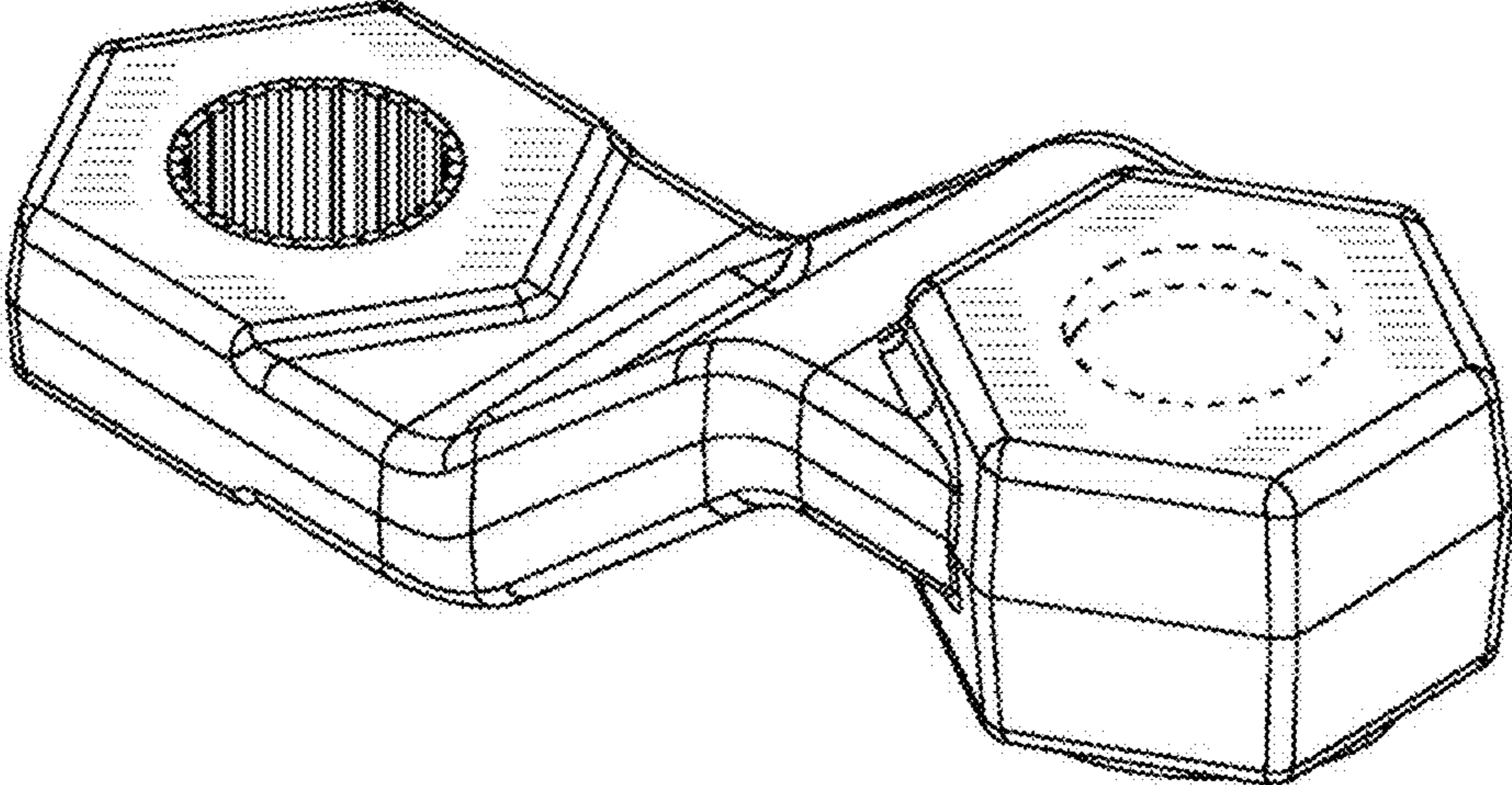


FIG. 1

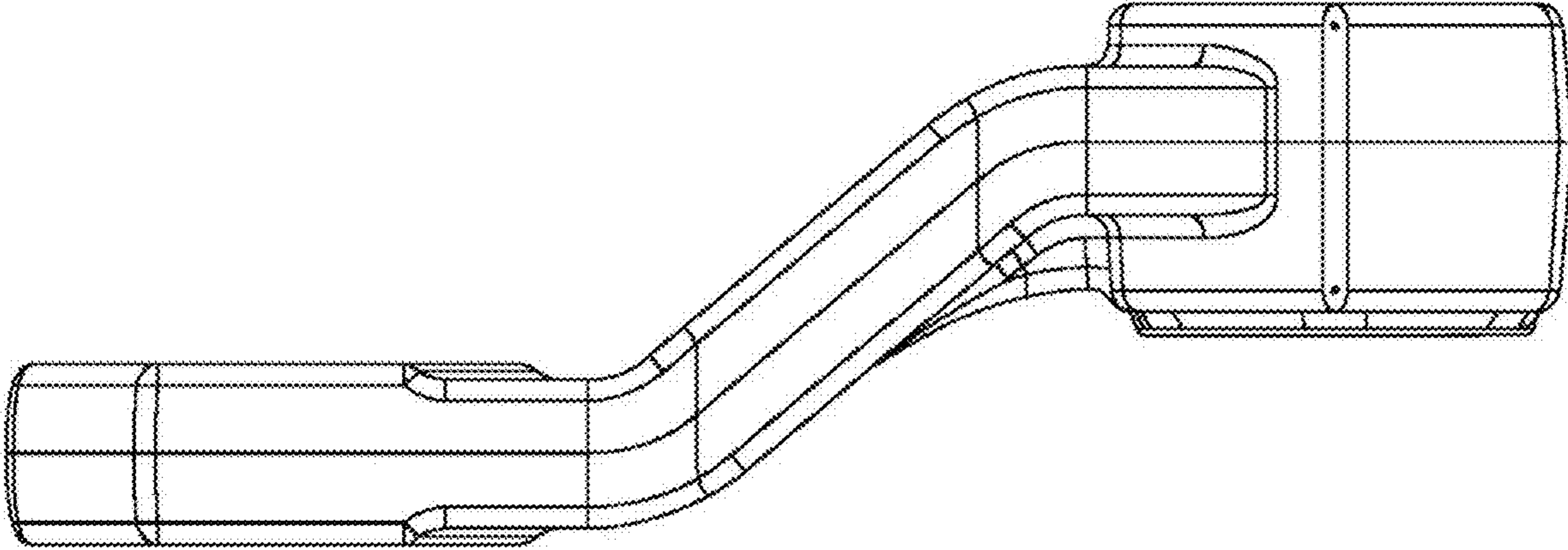


FIG. 2

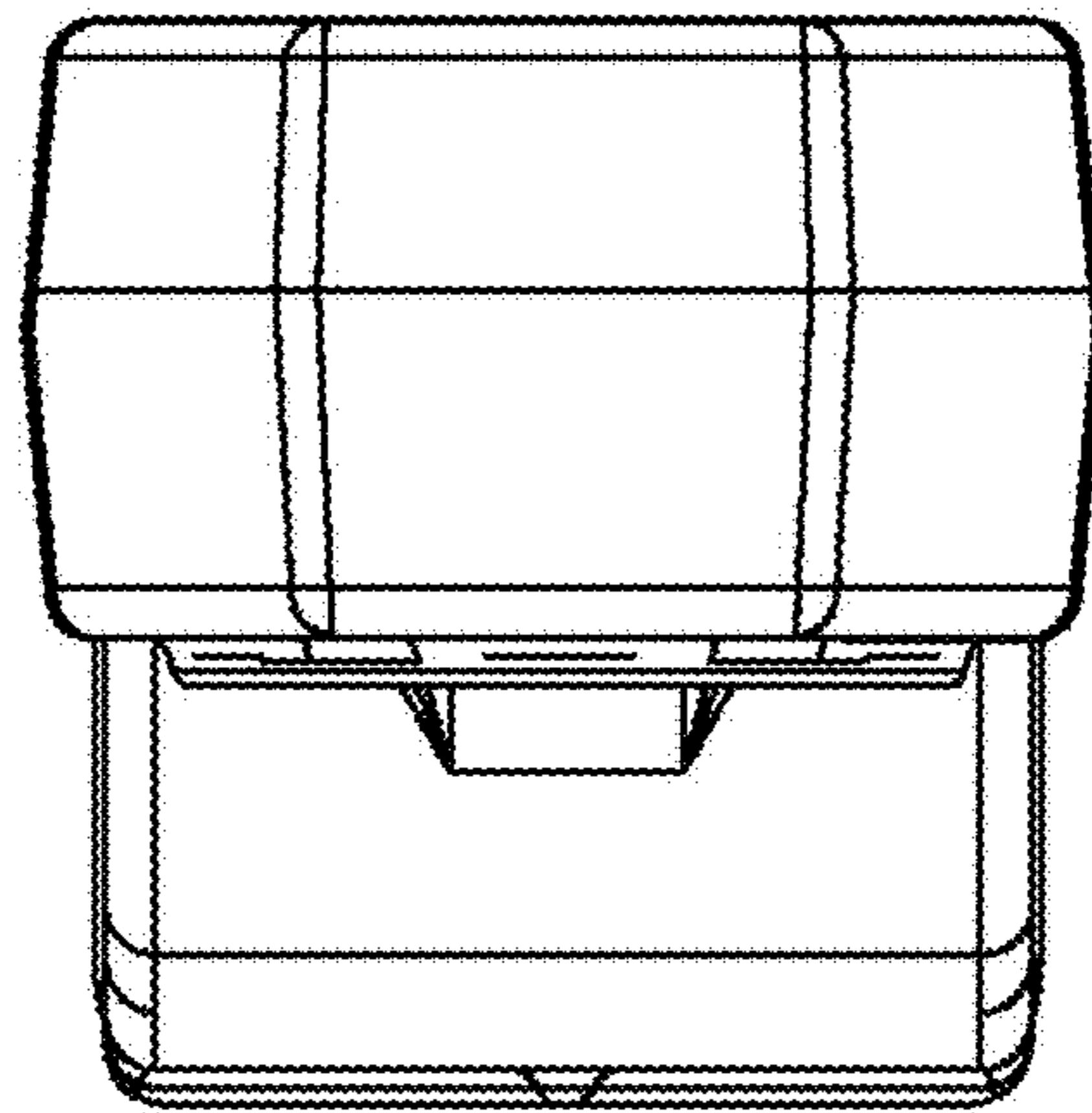


FIG. 3

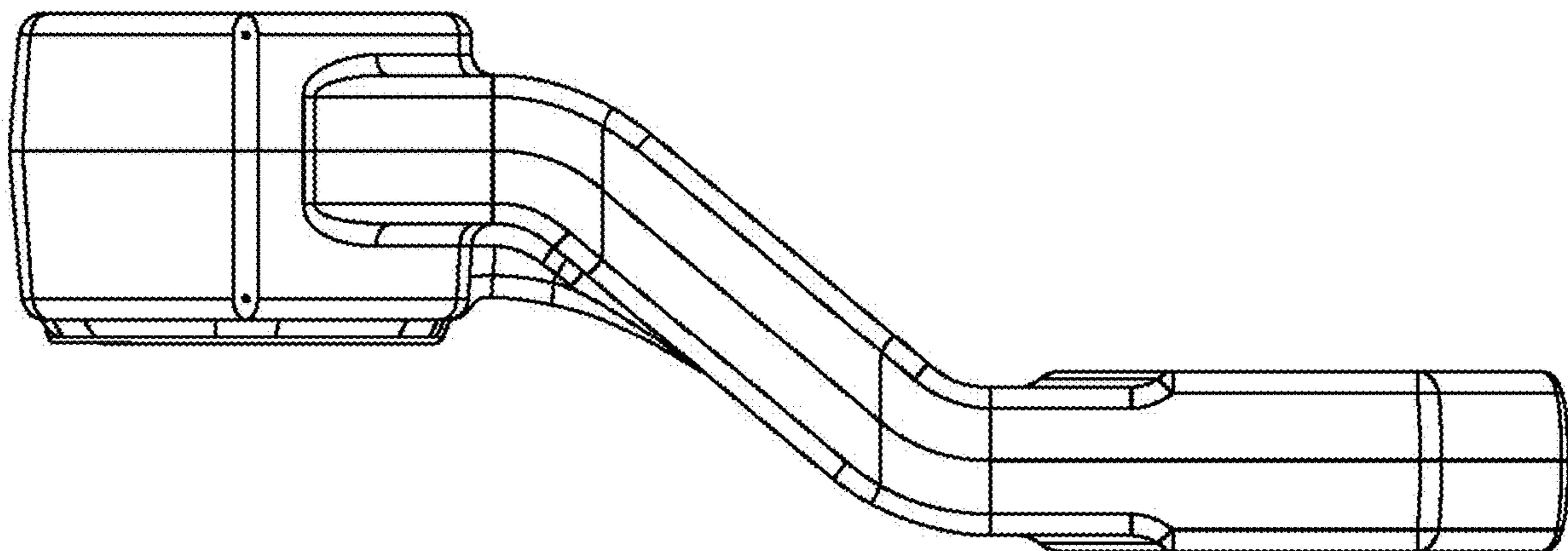


FIG. 4

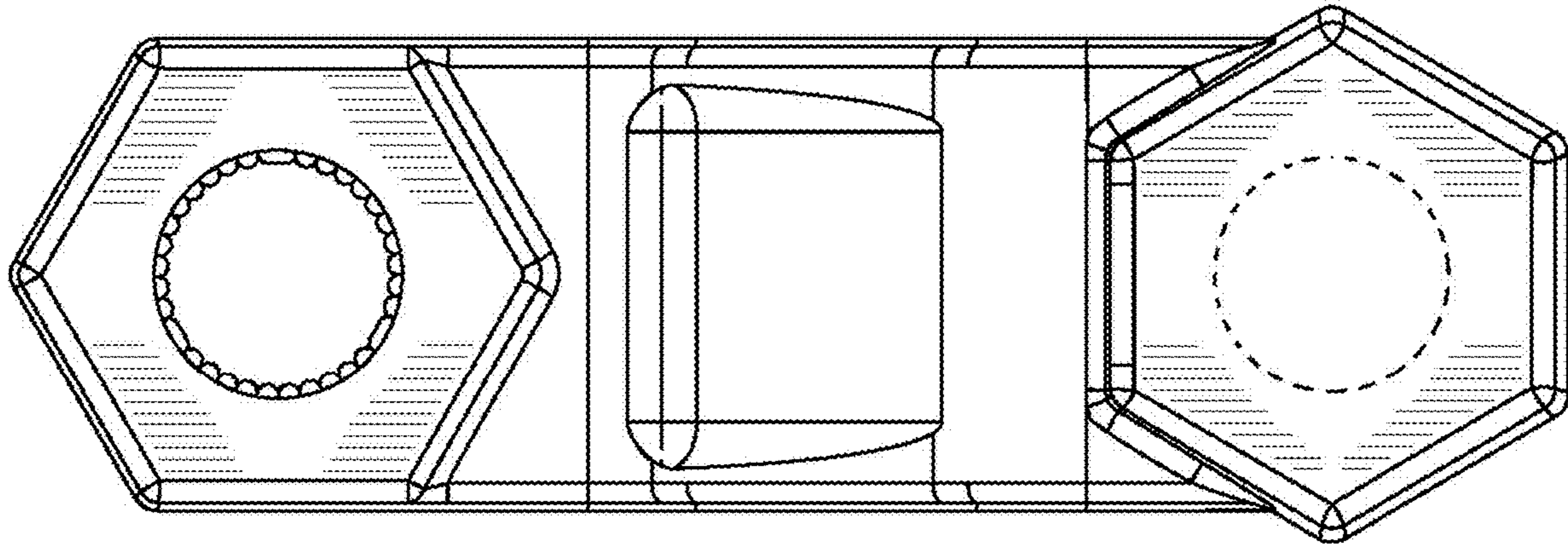


FIG. 5

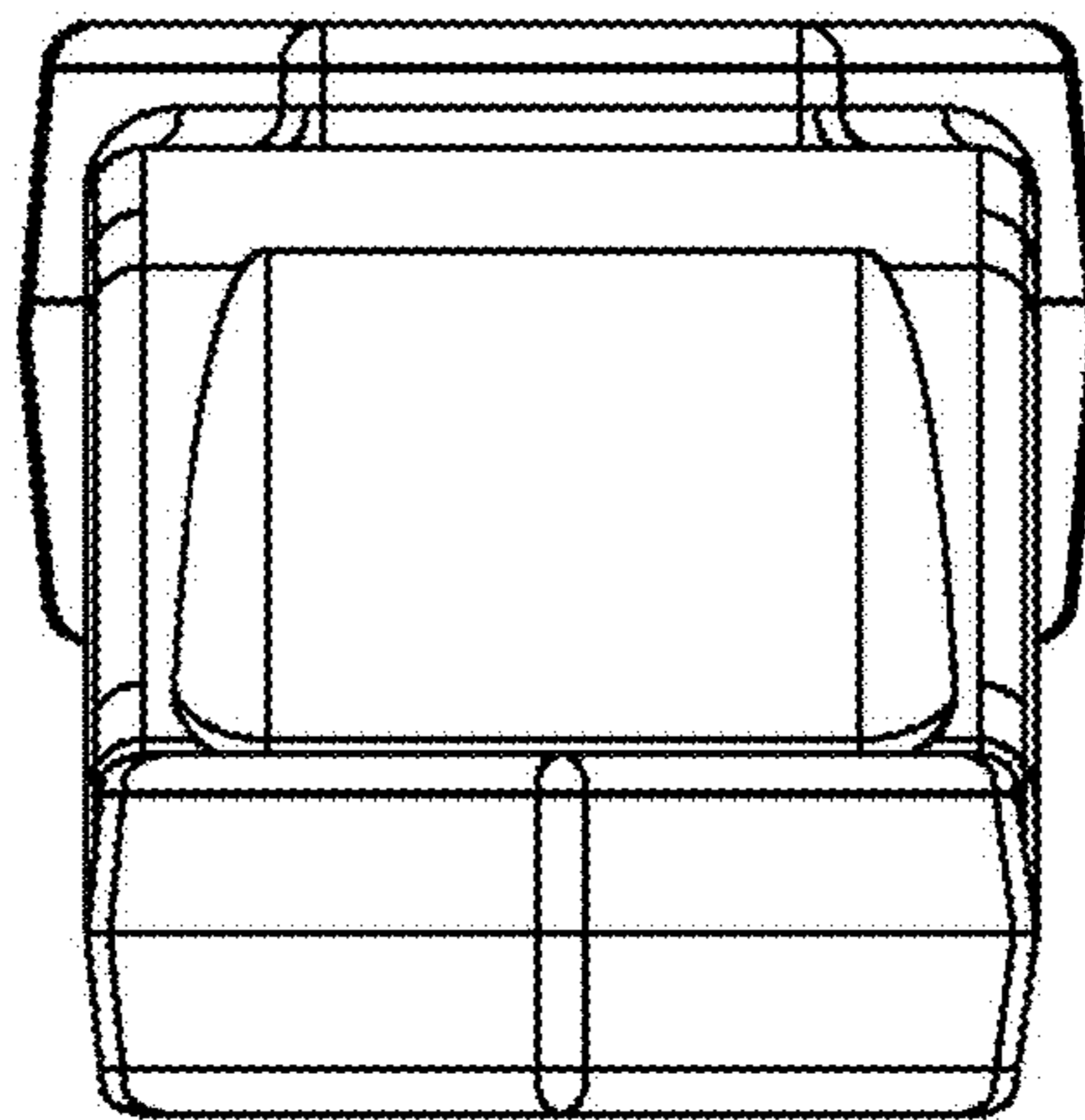


FIG. 6

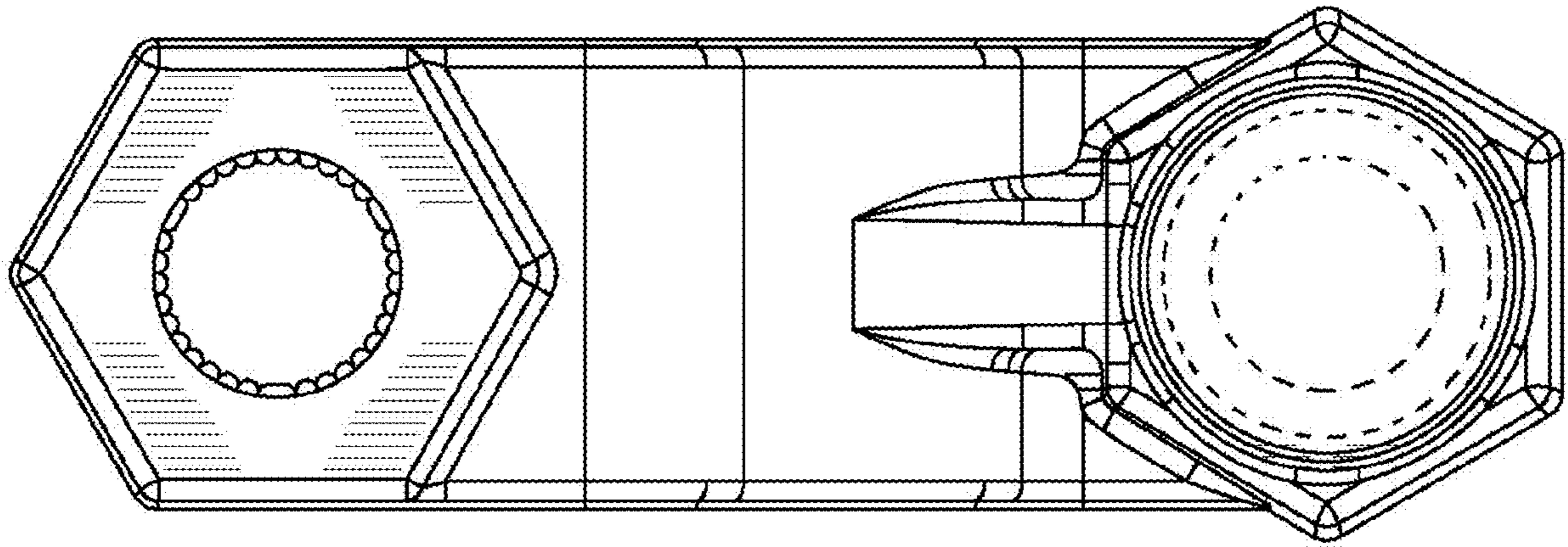


FIG. 7

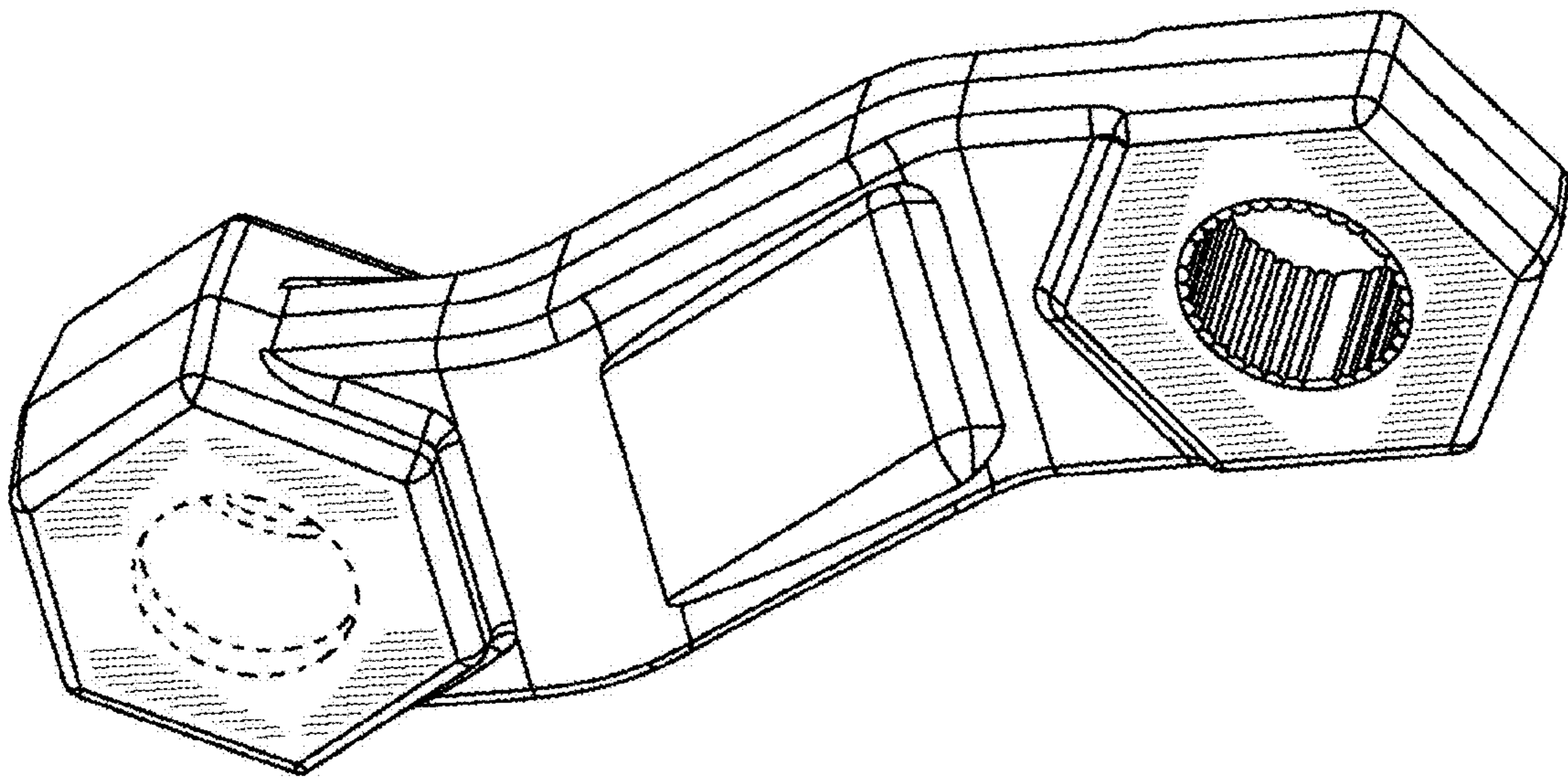


FIG. 8