



US00D926639S

(12) **United States Design Patent** (10) **Patent No.:** **US D926,639 S**
Häuser et al. (45) **Date of Patent:** **** *Aug. 3, 2021**

(54) **BASSINET FOR BABY CARRIAGE**

(56) **References Cited**

(71) Applicant: **CYBEX GmbH**, Bayreuth (DE)

U.S. PATENT DOCUMENTS

(72) Inventors: **Johannes Häuser**, Bayreuth (DE);
Johannes Zurwesten, Bayreuth (DE);
Petra Napier, Bayreuth (DE)

2,777,706	A *	1/1957	Welsh	B62B 7/12 280/31
4,836,573	A *	6/1989	Gebhard	B62B 7/147 280/47.38
D336,234	S *	6/1993	Burgin	D8/323
5,947,552	A *	9/1999	Wilkins	A47C 7/66 297/16.1
D432,464	S *	10/2000	Gehr, Jr.	D12/129
D526,601	S *	8/2006	Oxseth	D12/129
D527,316	S *	8/2006	Oxseth	D12/129
D575,535	S *	8/2008	Bizzell	D6/333
D577,918	S *	10/2008	Bizzell	D6/333
D631,402	S *	1/2011	Bagwell	D12/129
D640,483	S *	6/2011	Daley	A47D 9/005 D6/333
D699,635	S *	2/2014	Slotteroy	D12/133
D804,200	S *	12/2017	Ka Hung	D6/333
D818,400	S *	5/2018	Barenbrug	D12/133
9,980,579	B2 *	5/2018	Walker	A47D 13/02
D839,625	S *	2/2019	Sclare	D6/390
10,524,594	B2 *	1/2020	Yang	A47G 9/083
2017/0360216	A1 *	12/2017	Sclare	A47D 9/02

(73) Assignee: **Cybex GmbH**, Bayreuth (DE)

(*) Notice: This patent is subject to a terminal disclaimer.

(**) Term: **15 Years**

(21) Appl. No.: **35/507,460**

(22) Filed: **Mar. 18, 2019**

(80) **Hague Agreement Data**

Int. Filing Date: **Mar. 18, 2019**

Int. Reg. No.: **DM/202788**

Int. Reg. Date: **Mar. 18, 2019**

Int. Reg. Pub. Date: **Sep. 20, 2019**

(30) **Foreign Application Priority Data**

Sep. 19, 2018 (EM) 005649118-0010

(51) **LOC (13) Cl.** **12-12**

(52) **U.S. Cl.**
USPC **D12/129**

(58) **Field of Classification Search**
USPC D12/128-133; D6/333, 344, 382, 385,
D6/386, 390, 391, 392, 718, 718.26
CPC . B62B 7/00-04; B62B 7/147; B62B 9/00-28;
A47D 9/00; A47D 9/02; A47D 9/005;
A47D 7/03

See application file for complete search history.

* cited by examiner

Primary Examiner — Darlington Ly

(74) *Attorney, Agent, or Firm* — Boyle Fredrickson, S.C.

(57) **CLAIM**

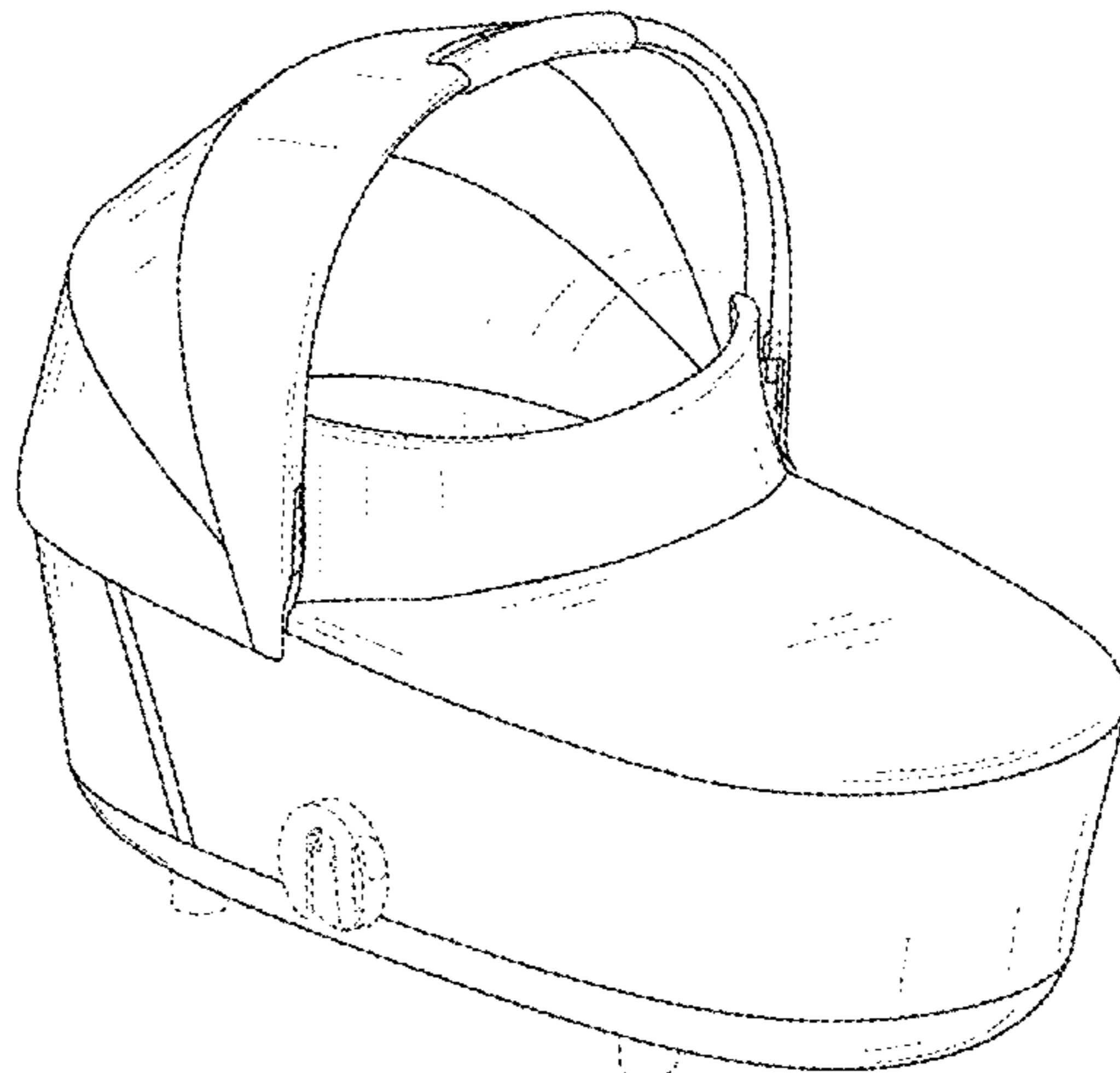
The ornamental design for a bassinet for baby carriage, as shown and described.

DESCRIPTION

Bassinet for baby carriage

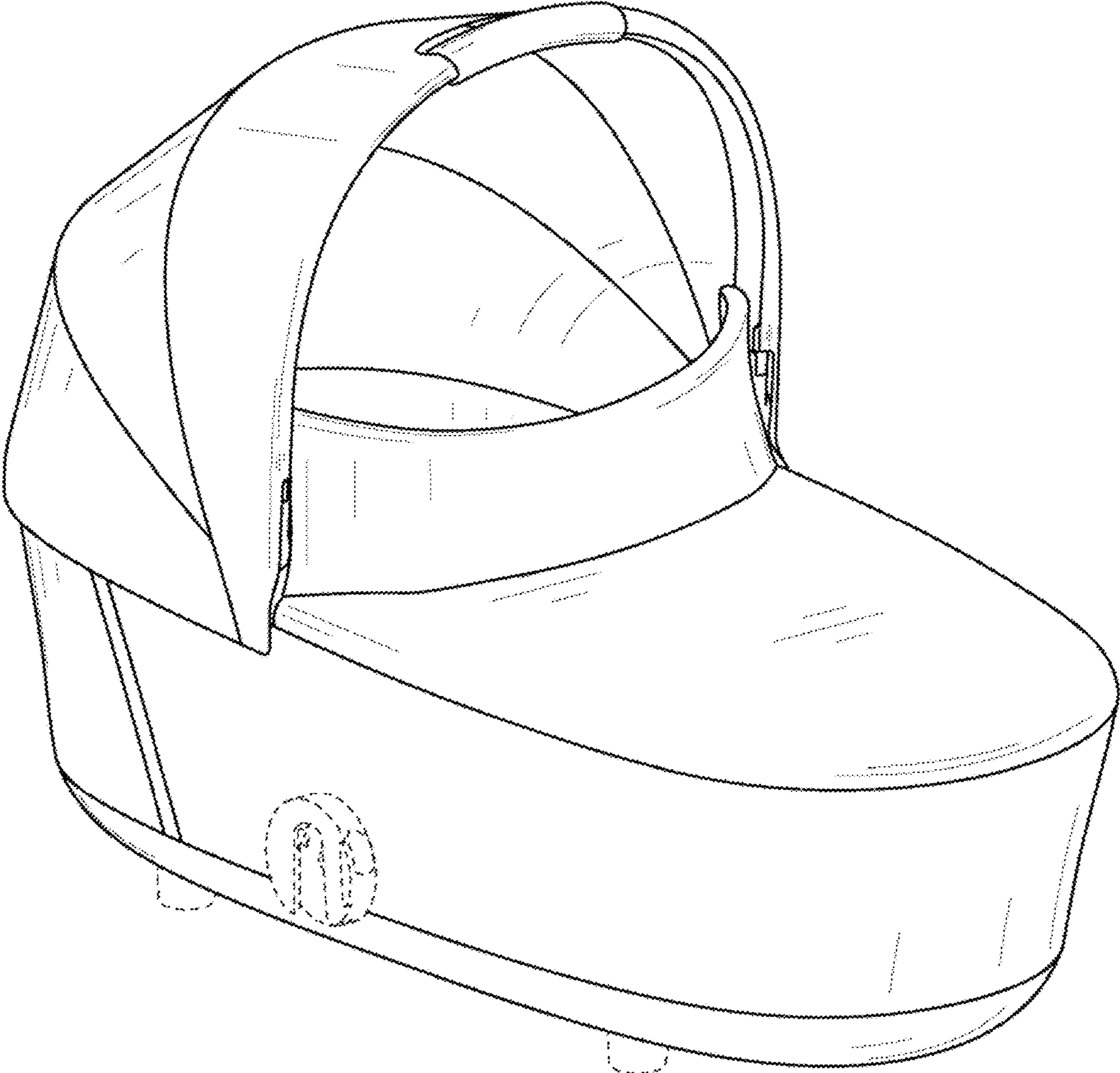
- 1.1 is a front, top, and left side perspective view of a bassinet for baby carriage showing our new design;
- 1.2 is a front elevation view thereof;
- 1.3 is a rear elevation view thereof;
- 1.4 is a left side elevation view thereof;
- 1.5 is a right side elevation view thereof;
- 1.6 is a top plan view thereof; and
- 1.7 is a bottom plan view thereof.

(Continued)

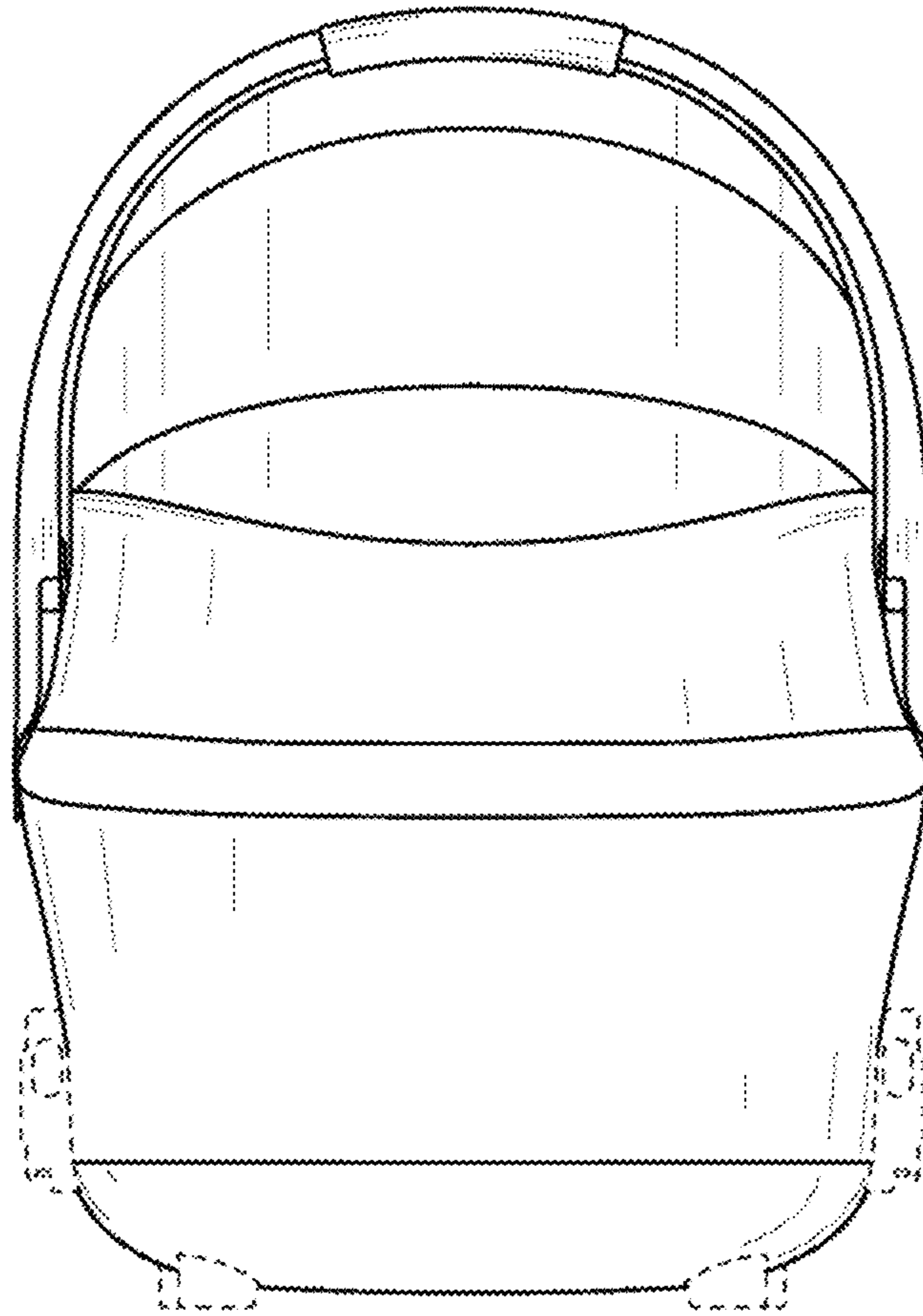


The broken lines in the drawings depict portions of the bassinet for baby carriage that form no part of the claim.

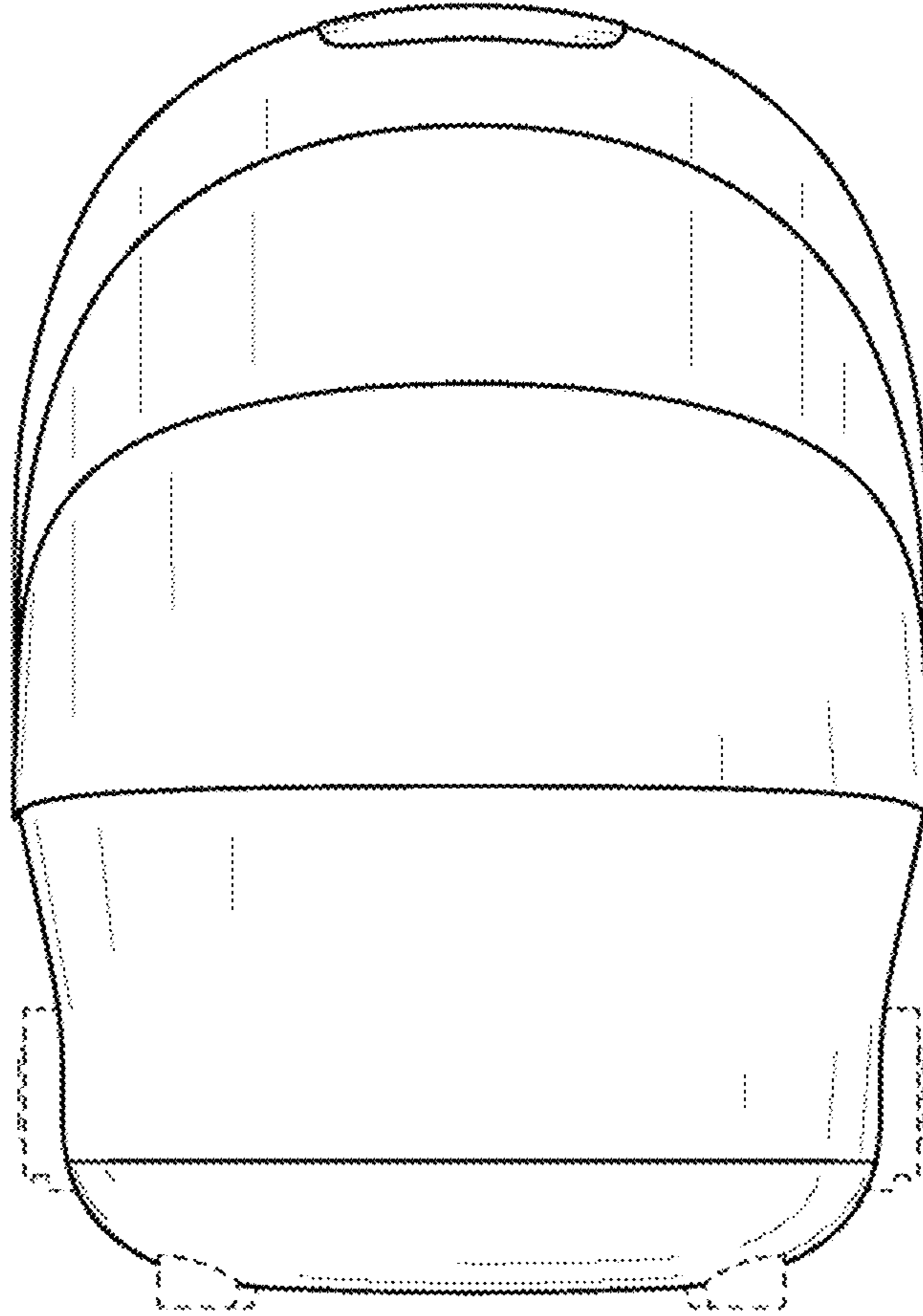
1 Claim, 7 Drawing Sheets



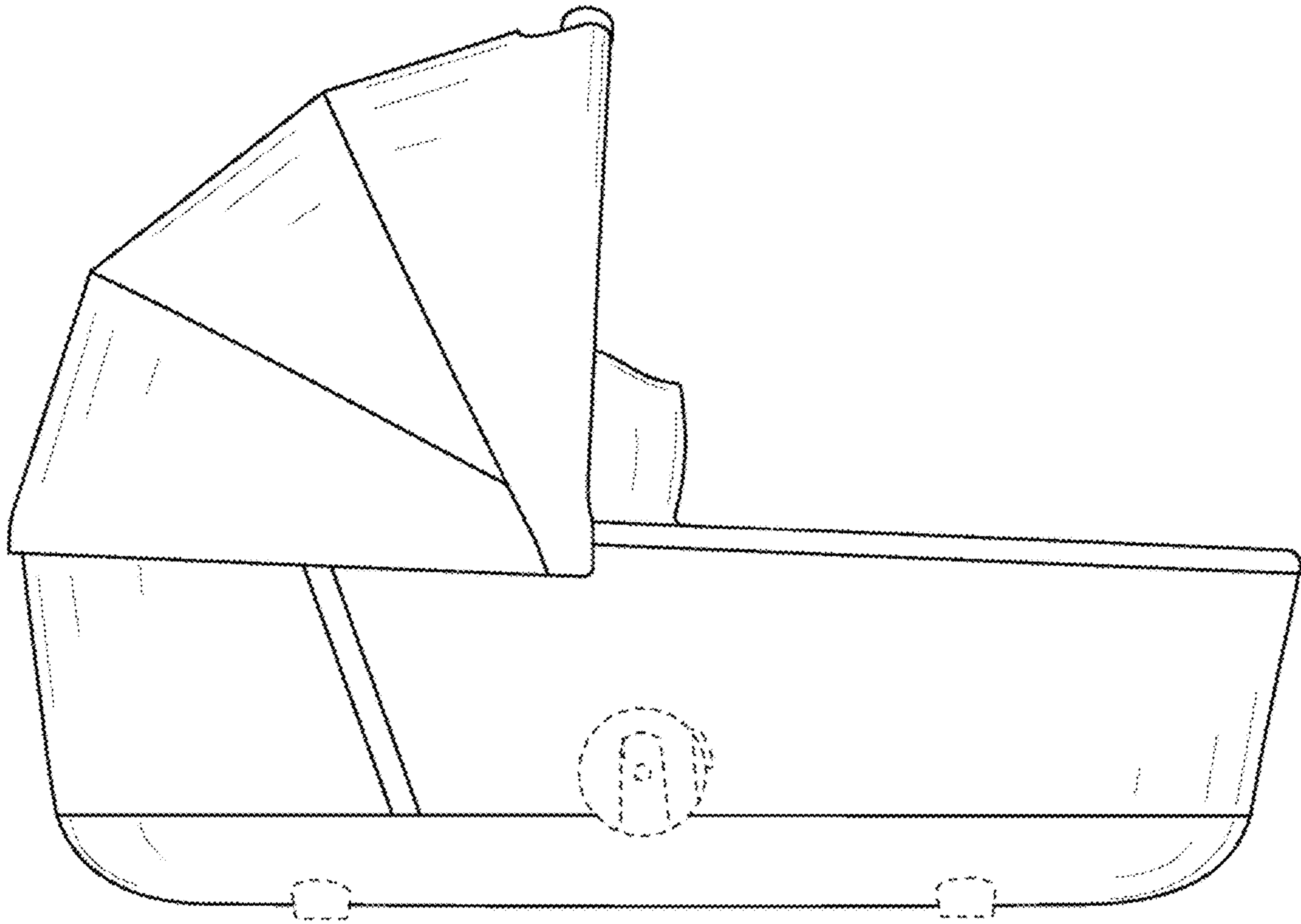
1.1



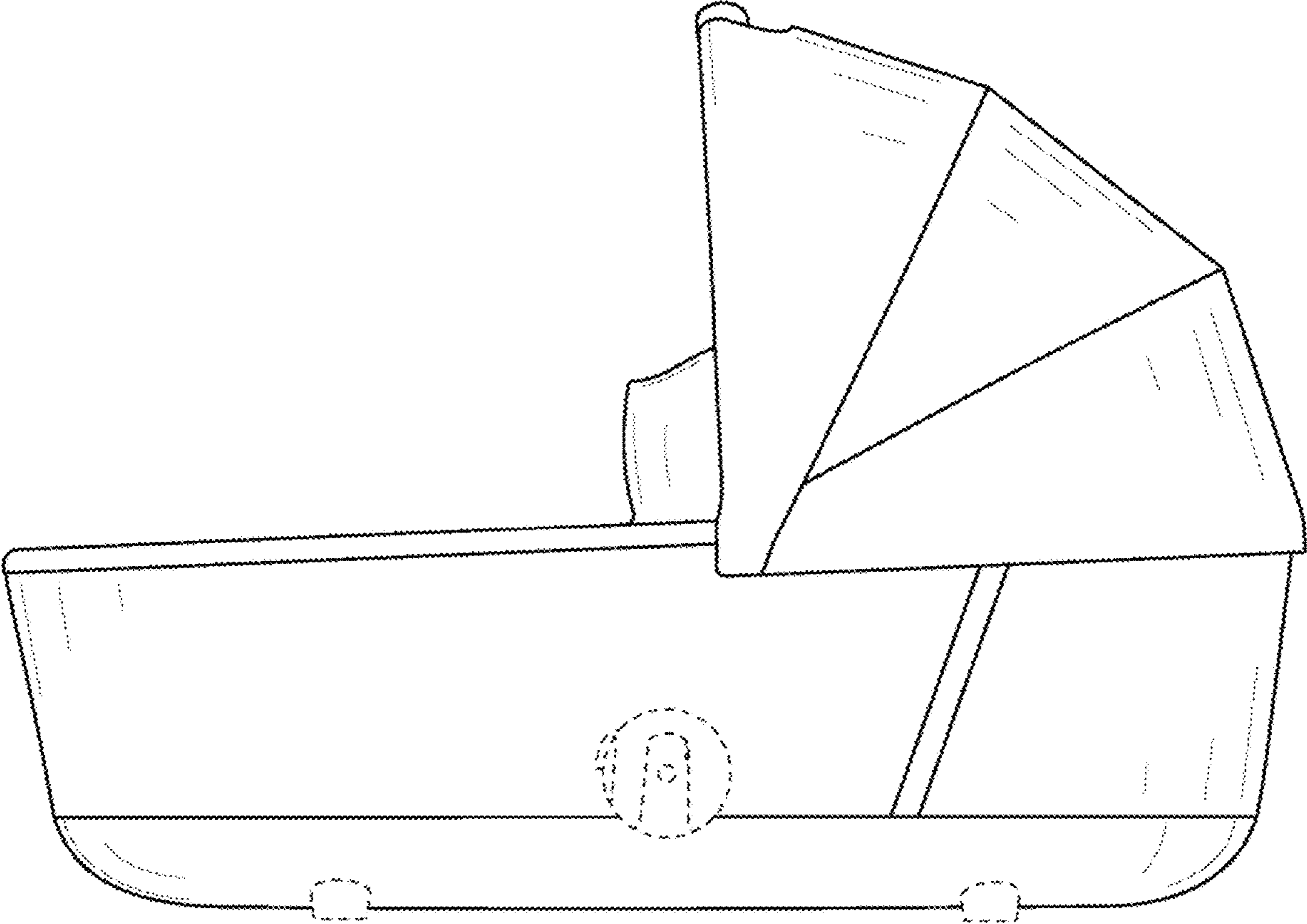
1.2



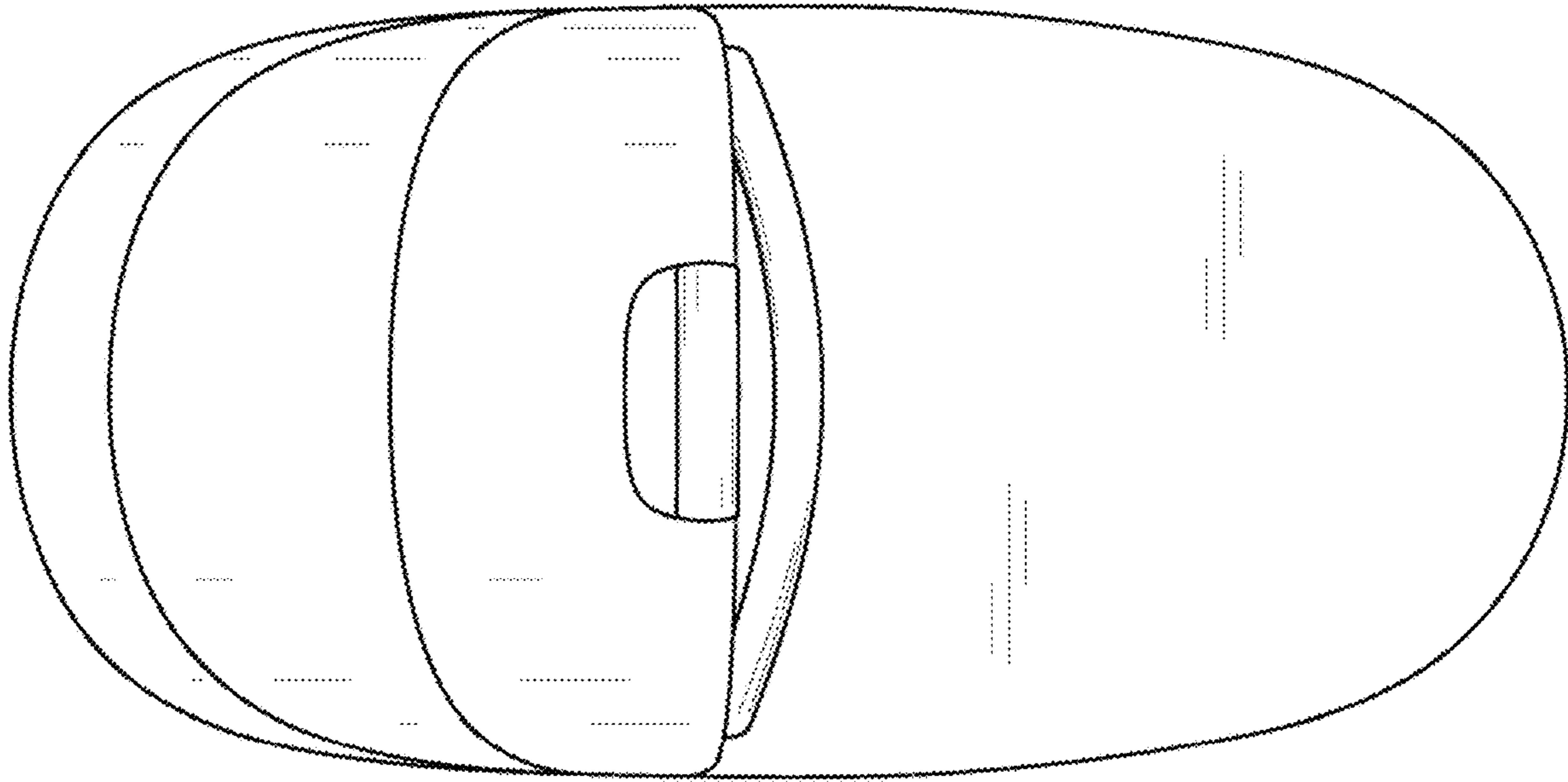
1.3



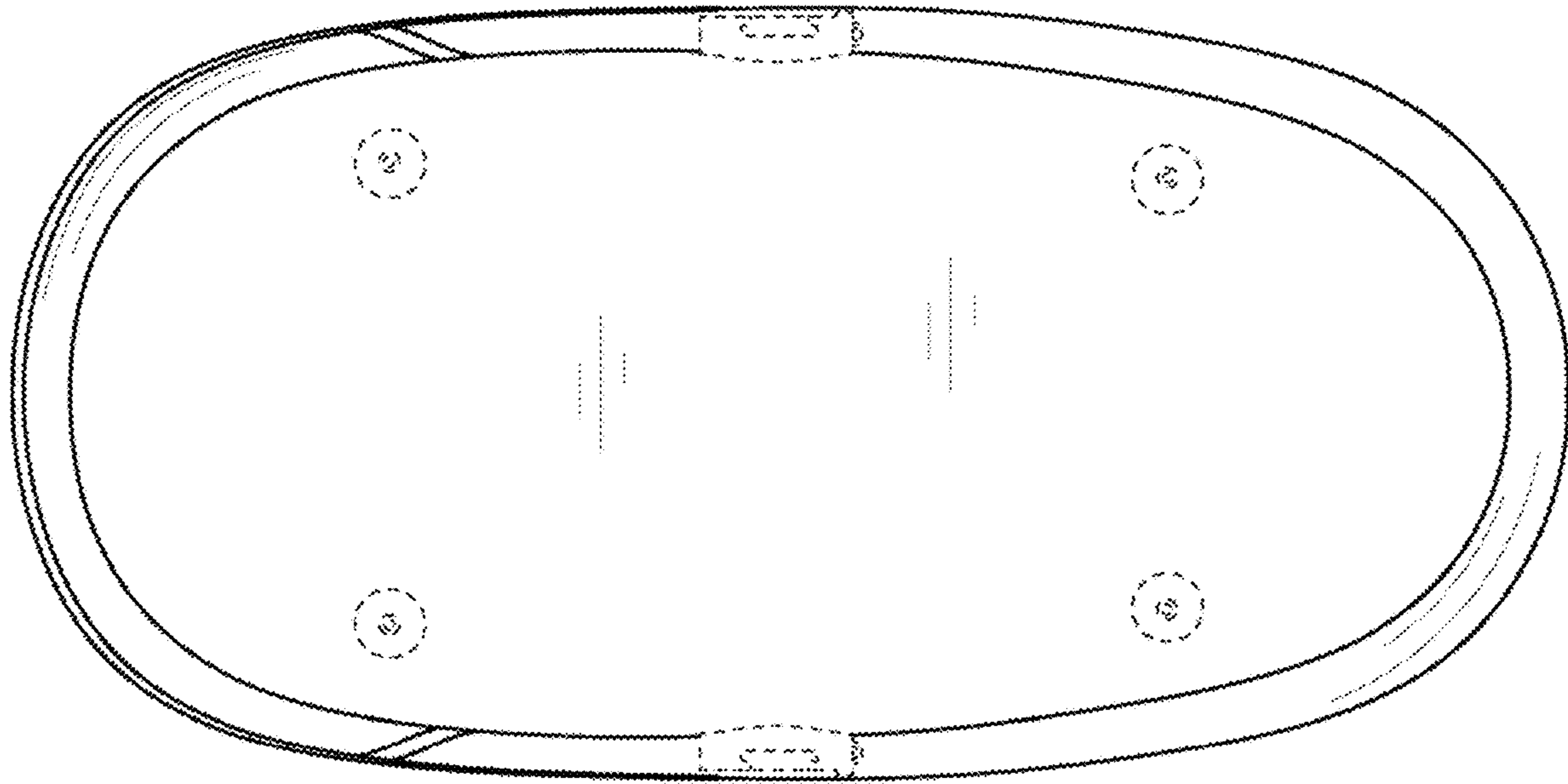
1.4



1.5



1.6



1.7