

US00D926638S

(12) **United States Design Patent**
Liu et al.

(10) **Patent No.:** **US D926,638 S**
(45) **Date of Patent:** **** Aug. 3, 2021**

(54) **CRANKSET WITH BATTERY**
(71) Applicant: **JINHUA LEICHTEN ELECTRIC
TECH CO., LTD, Jinhua (CN)**

D843,271 S * 3/2019 McFarland B62M 1/38
D12/123
D853,890 S * 7/2019 Sgreva D12/123
D891,992 S * 8/2020 Maelfeyt D12/123

(72) Inventors: **Shilin Liu, Jinhua (CN); Chenglong
Dong, Jinhua (CN); Xiaolong Jin,
Jinhua (CN)**

(73) Assignee: **JINHUA LEICHTEN ELECTRIC
TECH CO., LTD, Jinhua (CN)**

(**) Term: **15 Years**

(21) Appl. No.: **29/719,504**

(22) Filed: **Jan. 6, 2020**

(30) **Foreign Application Priority Data**

Sep. 26, 2019 (EM) 006934709

(51) **LOC (13) Cl.** **12-11**

(52) **U.S. Cl.**
USPC **D12/123**

(58) **Field of Classification Search**
USPC D12/111, 122, 123, 127
CPC F16H 7/06; F16H 55/30; F16H 55/303;
F16H 55/12; B62M 9/105
See application file for complete search history.

(56) **References Cited**

U.S. PATENT DOCUMENTS

D356,526 S * 3/1995 Burns D12/123
D499,989 S * 12/2004 Snyder D12/114
D640,608 S * 6/2011 Funabiki D12/114
D749,988 S * 2/2016 Sgreva D12/123
D756,270 S * 5/2016 Sgreva D12/123
D764,411 S * 8/2016 Sondors D13/119
D801,877 S * 11/2017 Greiner D12/123
D811,277 S * 2/2018 Migaszewski D12/123

OTHER PUBLICATIONS

“E-bike Kit” Bikee Bike; posted date Oct. 27, 2017 [online],
[retrieved on Jan. 12, 2021]. Retrieved from the Internet <URL:
https://www.bikeebike.com/products.html> (Year: 2017).*
“Complete Bafang 1000W BBSHD Mid Drive Motor Kit & Bat-
tery” Bafang USA Direct.; posted date Oct. 24, 2018 [online],
[retrieved on Jan. 12, 2021]. Retrieved from the Internet <URL:
https://www.bafangusadirect.com/ProductDetails.asp?ProductCode=
165> (Year: 2018).*
“BBS01 Mid Drive Electric Bike Kit” Dillenger.; posted date Sep.
2, 2019 [online], [retrieved on Jan. 12, 2021]. Retrieved from the
Internet <URL: https://tinyurl.com/yxjeqsqj> (Year: 2019).*

* cited by examiner

Primary Examiner — Darlington Ly
Assistant Examiner — Nasim Abdulaziz Ali

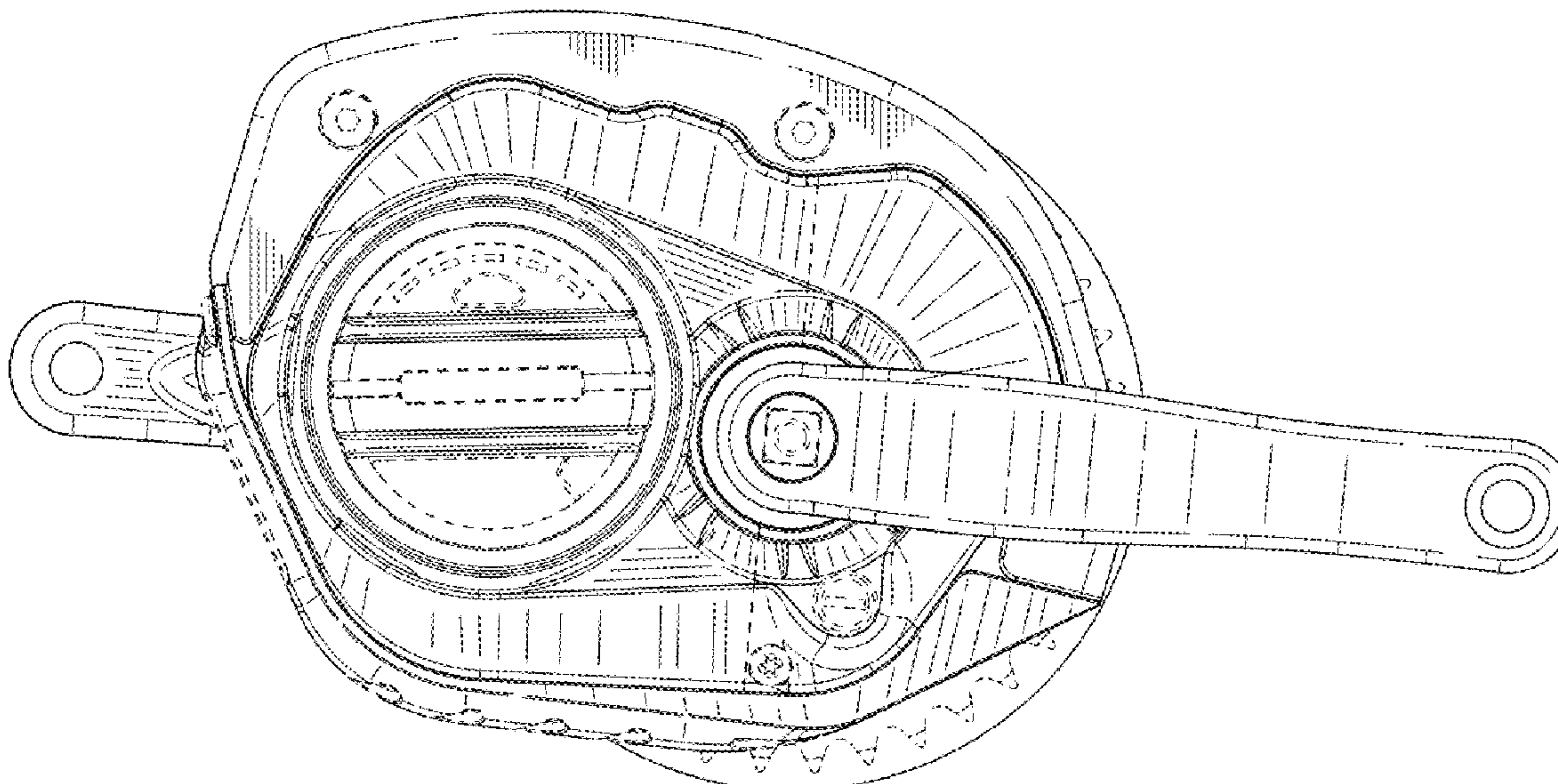
(57) **CLAIM**

The ornamental design for a crankset with battery, as shown
and described.

DESCRIPTION

FIG. 1 is a front elevation view of a crankset with battery
embodying our new design;
FIG. 2 is a rear elevation view thereof;
FIG. 3 is a left side elevation view thereof;
FIG. 4 is a right side elevation view thereof;
FIG. 5 is a top plan view thereof;
FIG. 6 is a bottom plan view thereof; and,
FIG. 7 is a rear perspective view thereof.
The broken lines in the drawings illustrate portions of the
crankset with battery that form no part of the claimed design.

1 Claim, 7 Drawing Sheets



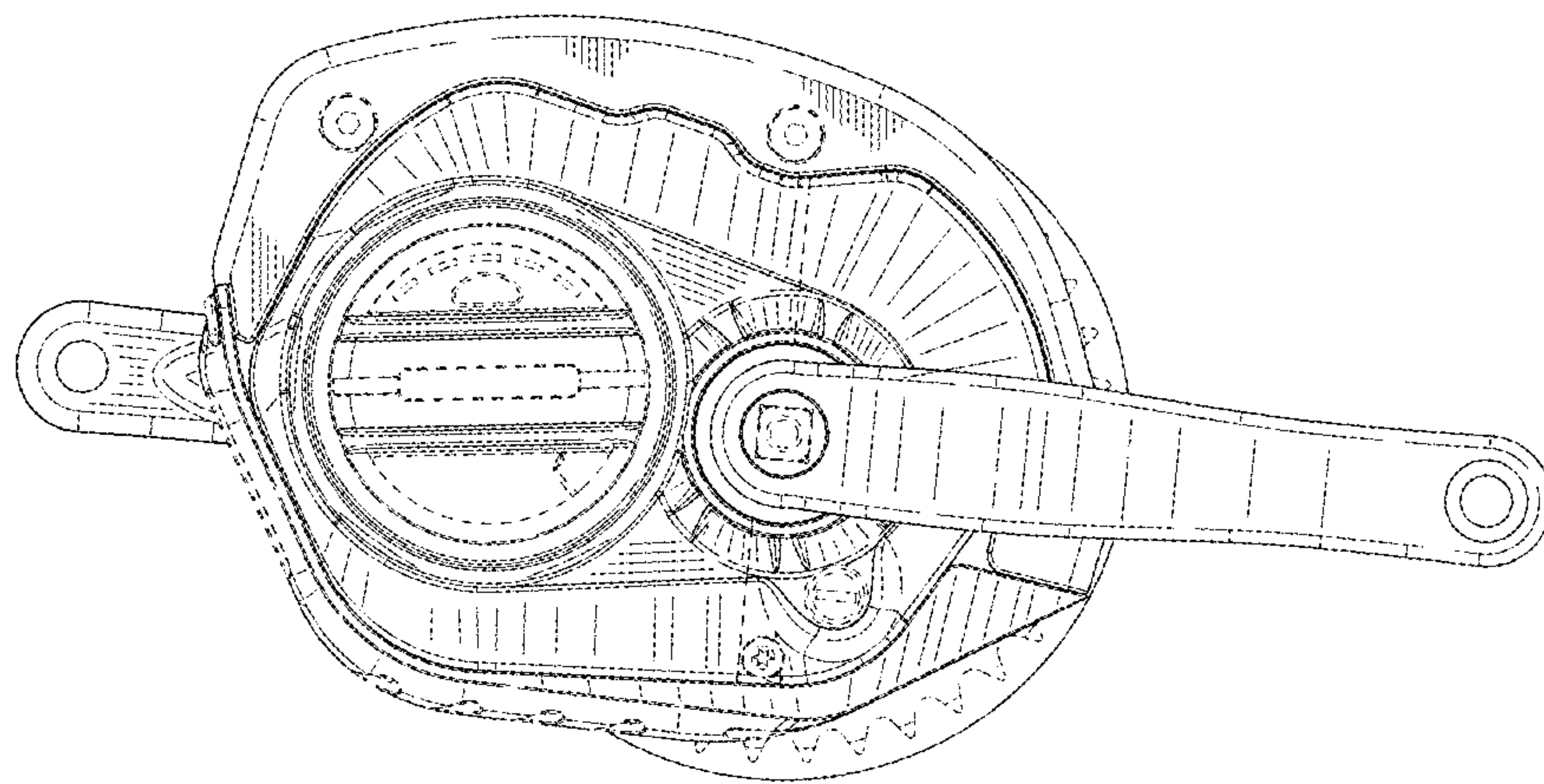


FIG.1

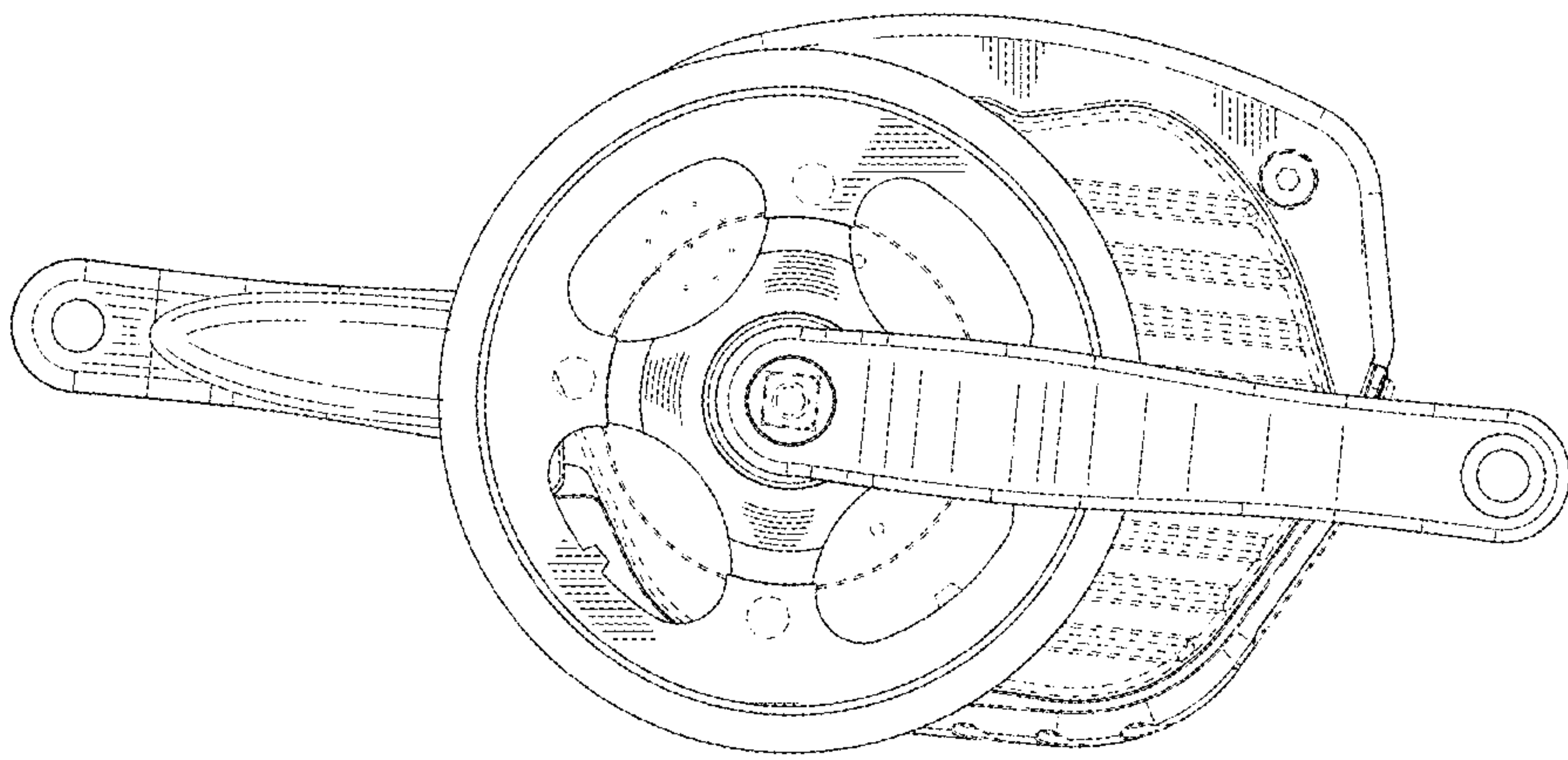


FIG.2

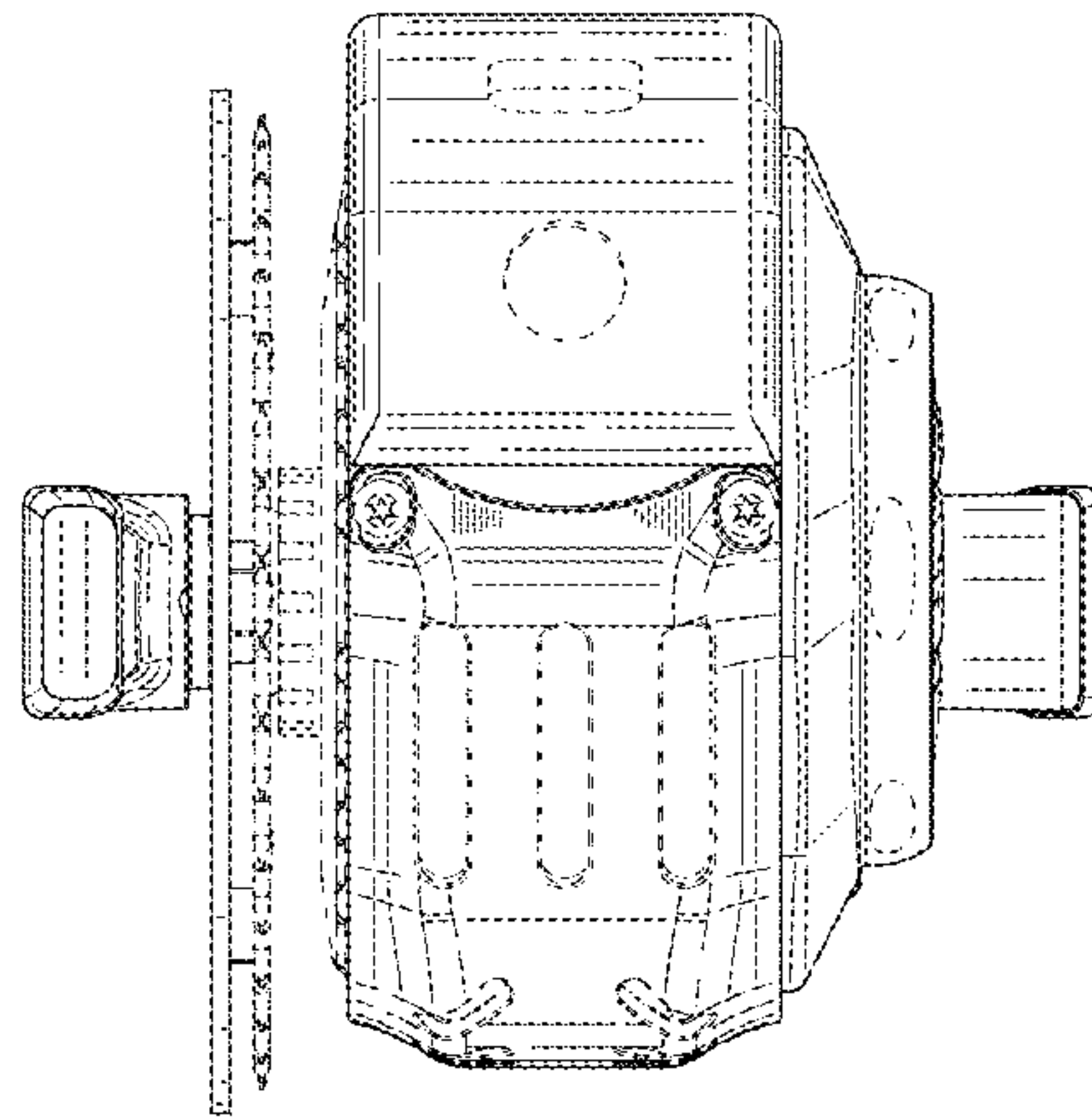


FIG.3

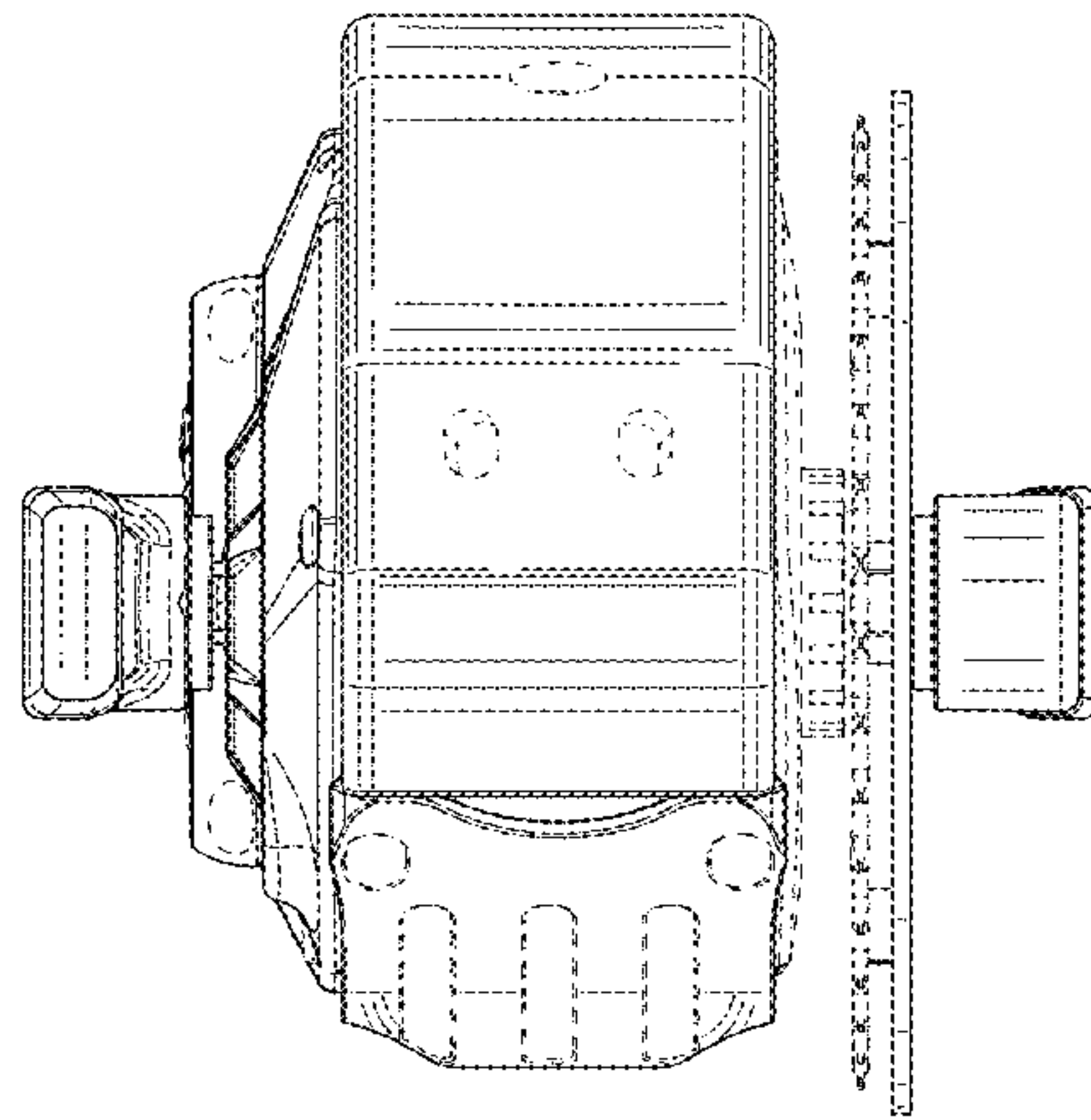


FIG.4

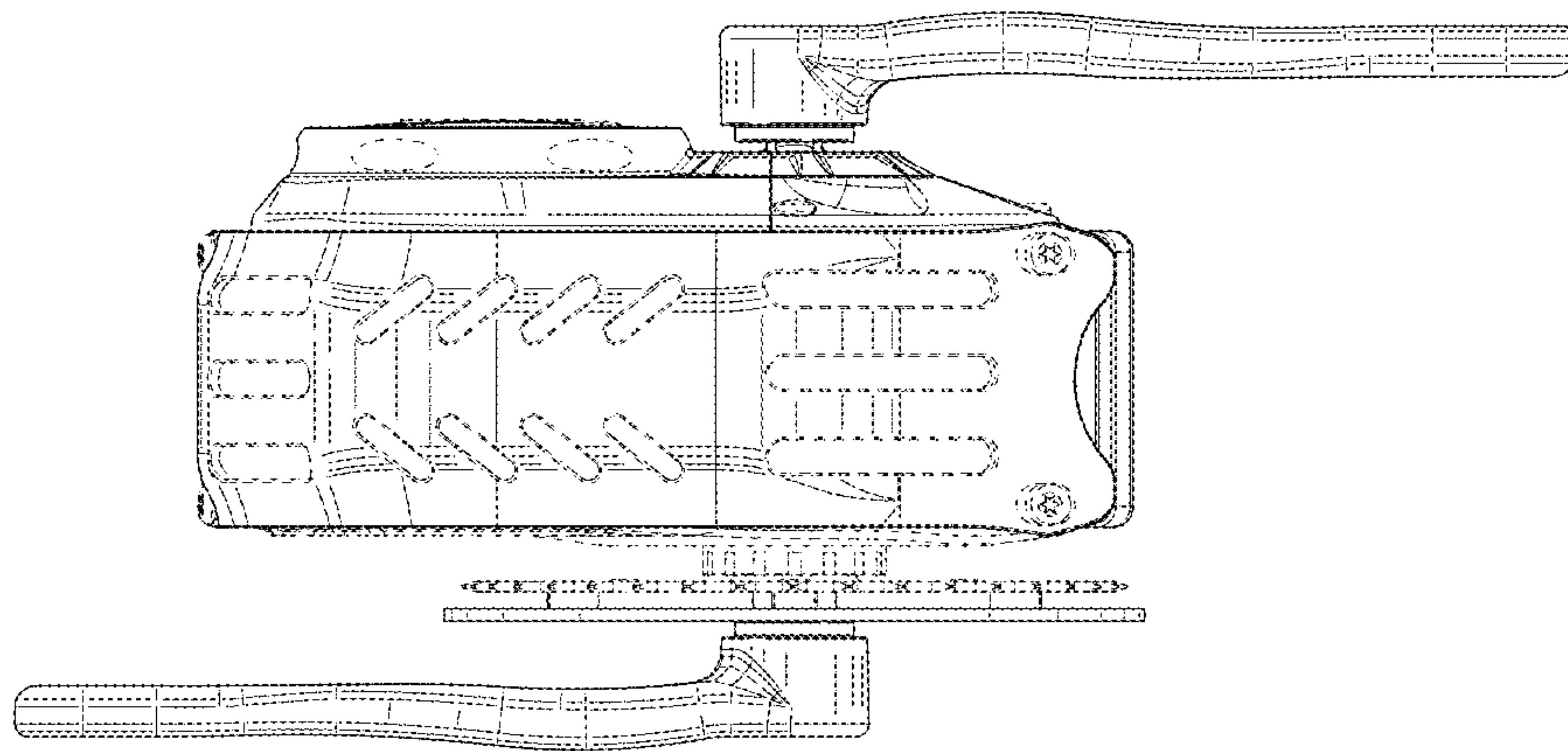


FIG.5

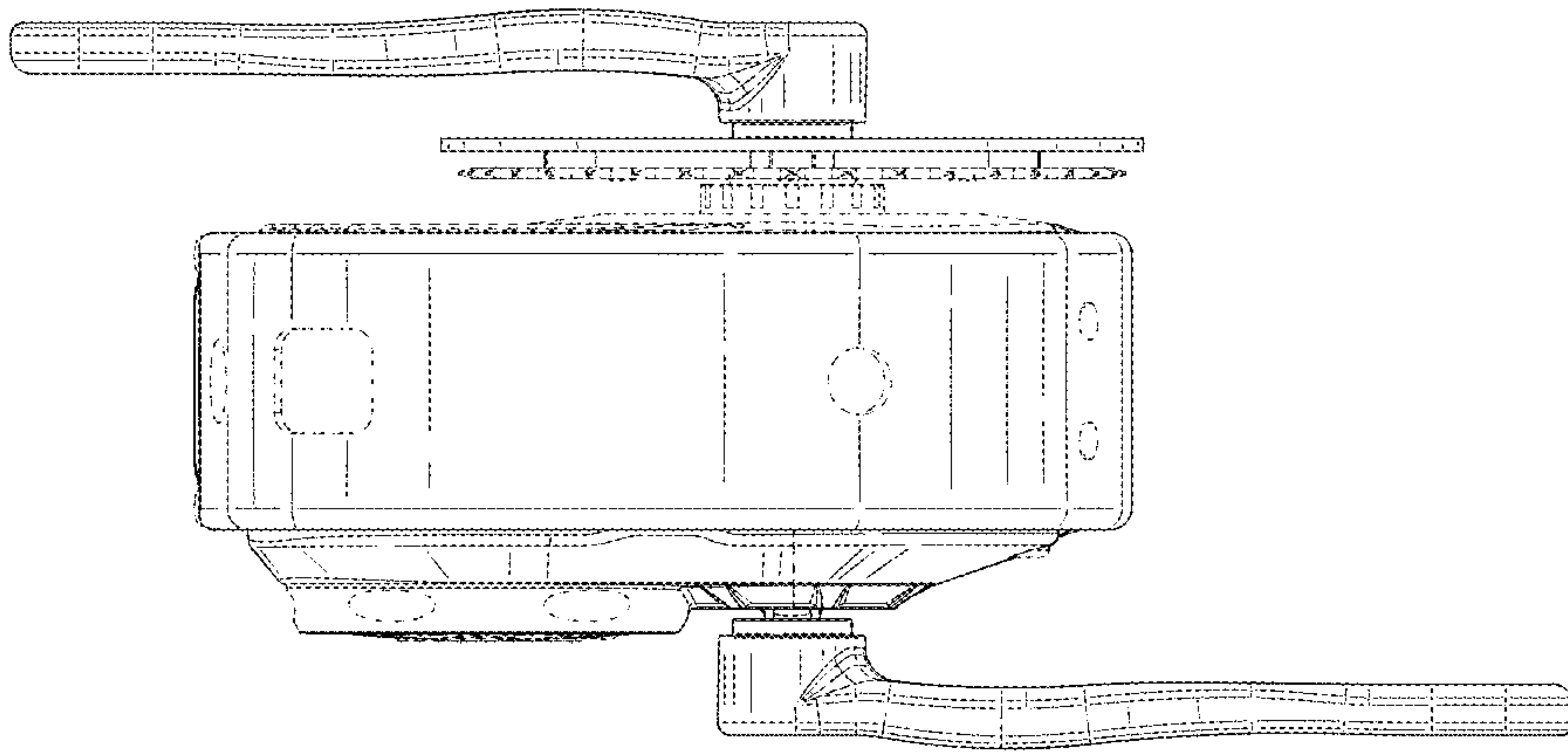


FIG.6

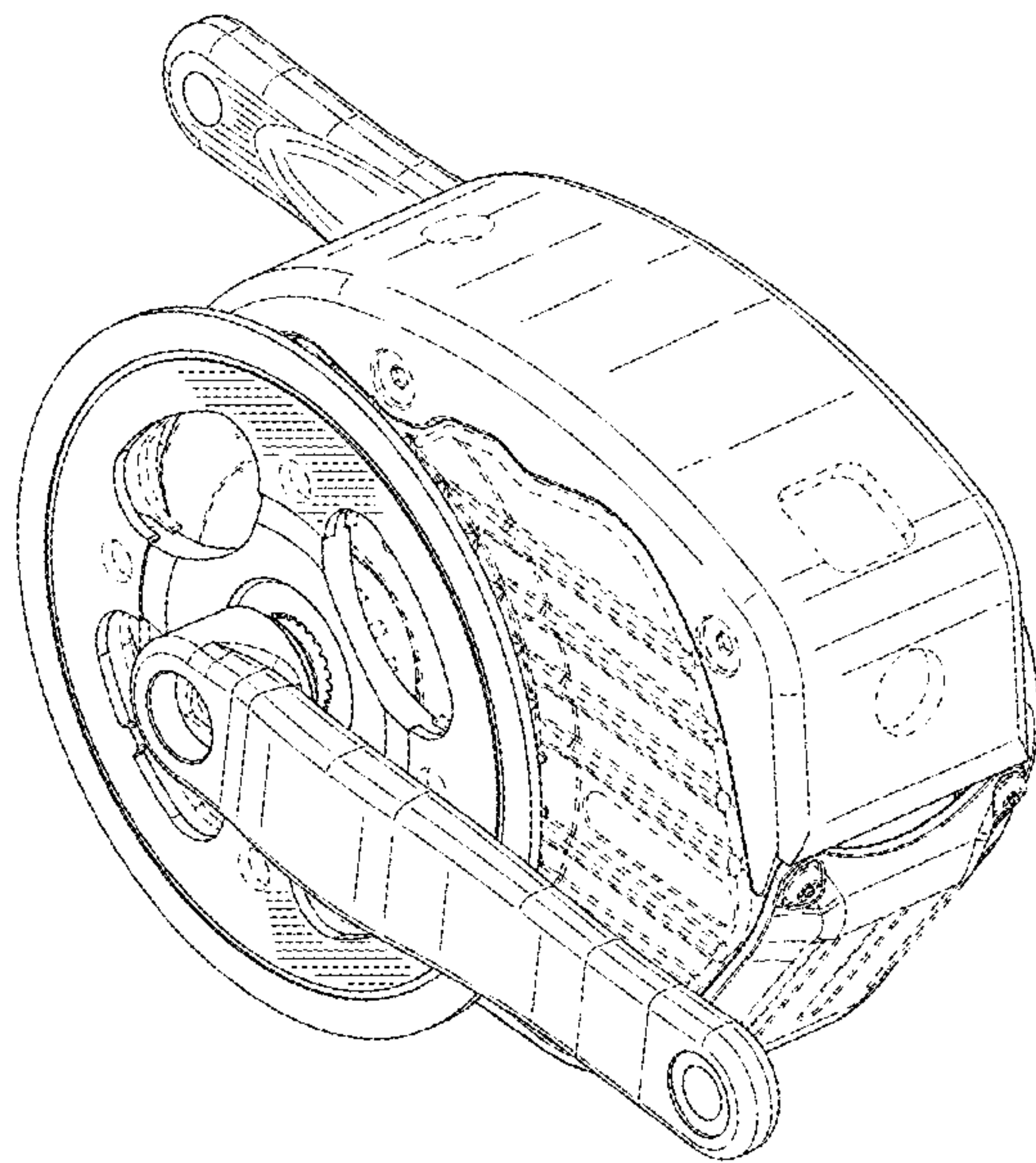


FIG. 7