



US00D926628S

(12) **United States Design Patent** (10) **Patent No.:** **US D926,628 S**  
**Brown** (45) **Date of Patent:** **\*\* Aug. 3, 2021**

(54) **GROWING TRAY WITH COVER**

FOREIGN PATENT DOCUMENTS

(71) Applicant: **Paul William Brown**, Barrie (CA)

AU 2015243012 \* 4/2017

(72) Inventor: **Paul William Brown**, Barrie (CA)

CA 2 908 184 \* 4/2017

(73) Assignee: **MPL INDUSTRIES LTD.**, Barrie (CA)

EP 3 155 896 \* 4/2017

(\*\*) Term: **15 Years**

*Primary Examiner* — Elizabeth A. Albert

(21) Appl. No.: **29/766,269**

(74) *Attorney, Agent, or Firm* — Daniel F. Nesbitt; Hasse & Nesbitt LLC

(22) Filed: **Jan. 14, 2021**

(57) **CLAIM**

I claim the ornamental design for a growing tray with cover, as shown and described.

**DESCRIPTION**

**Related U.S. Application Data**

(62) Division of application No. 29/673,263, filed on Dec. 13, 2018, now Pat. No. Des. 908,041.

FIG. 1 is a top-front perspective view of an embodiment of a growing tray with cover showing the new design;

(30) **Foreign Application Priority Data**

Jun. 13, 2018 (CA) ..... 181914

FIG. 2 is a bottom-rear perspective view thereof;

(51) **LOC (13) Cl.** ..... **11-02**

FIG. 3 is a left side view thereof;

(52) **U.S. Cl.**  
USPC ..... **D11/156**

FIG. 4 is a front view thereof;

(58) **Field of Classification Search**  
USPC ..... D11/143–156, 164; D3/304, 313, 314;  
D6/403, 404, 405, 556, 557, 558;  
D25/119, 120, 121

FIG. 5 is a right side view thereof;

FIG. 6 is a rear view thereof;

FIG. 7 is a top plan view thereof; and

FIG. 8 is a bottom plan view thereof.

FIG. 9 is a top-front perspective view of a second embodiment of a growing tray with cover showing the new design;

FIG. 10 is a bottom-rear perspective view thereof;

FIG. 11 is a left side view thereof;

FIG. 12 is a front view thereof;

FIG. 13 is a right side view thereof;

FIG. 14 is a rear view thereof;

FIG. 15 is a top plan view thereof; and,

FIG. 16 is a bottom plan view thereof.

The broken lines in FIGS. 1-6, 9-10, 12, and 14 illustrate portions of the growing tray with cover that form no part of the claimed design. The broken away symbols in FIGS. 1, 2, 3, 5, 7, 8, 9, 10, 11, 13, 15, and 16 indicate that the appearance of any portion of the article between the broken away symbols forms no part of the claimed design.

(Continued)

(56) **References Cited**

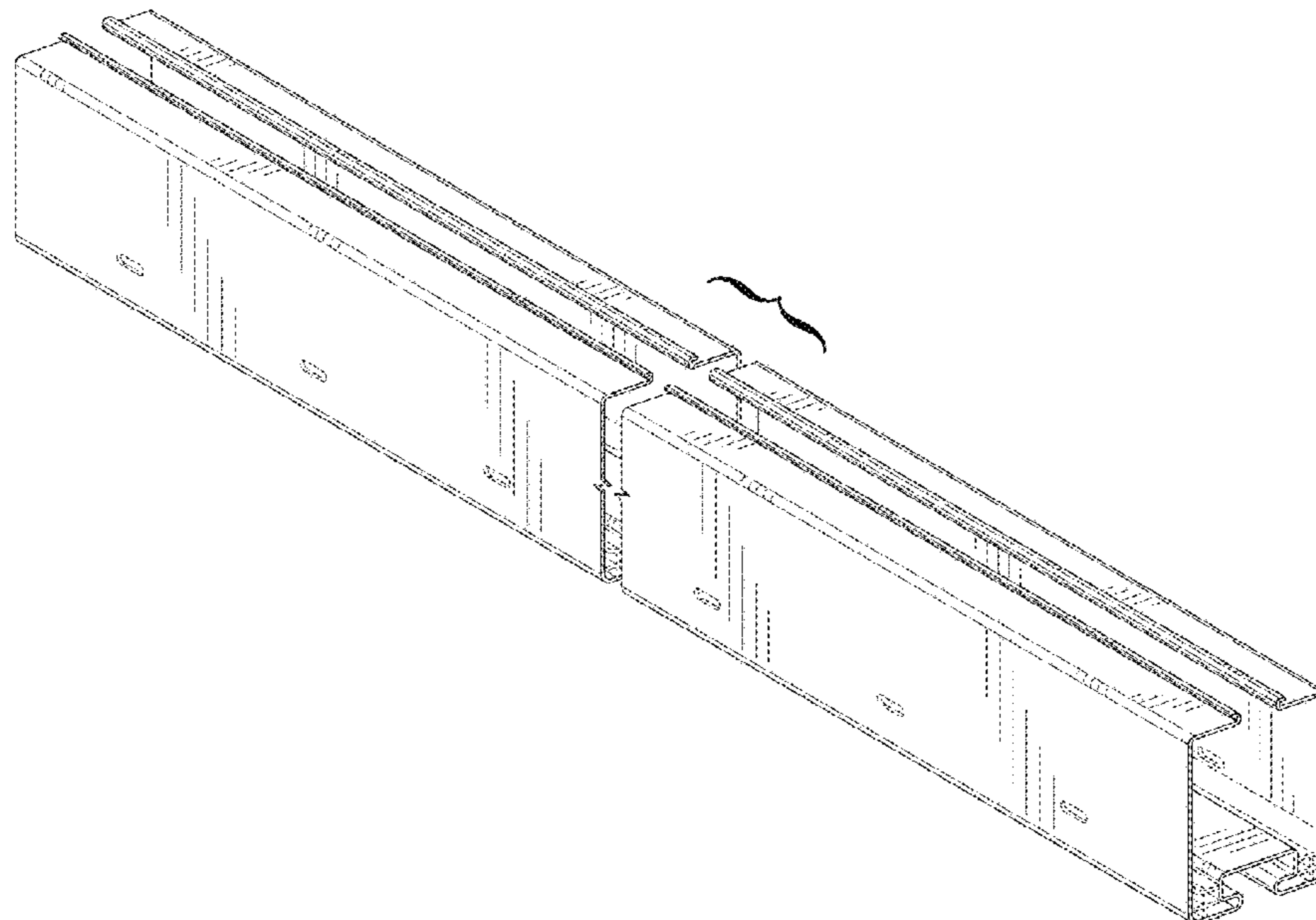
U.S. PATENT DOCUMENTS

2,541,421 A \* 2/1951 Hunter ..... E06B 7/18  
49/305

2,718,677 A \* 9/1955 Cornell ..... E06B 7/2316  
49/469

(Continued)

**1 Claim, 10 Drawing Sheets**



(58) **Field of Classification Search**  
 CPC . A01G 5/04; A01G 9/02; A01G 9/021; A01G  
 9/022; A01G 9/026; A01G 9/027; A01G  
 9/029; A01G 9/033; A47G 7/00; A47G  
 7/02; A47G 7/04; A47G 7/041; A47G  
 7/044; A47G 7/047; A47G 7/06; A47G  
 7/063; A47G 7/08  
 See application file for complete search history.

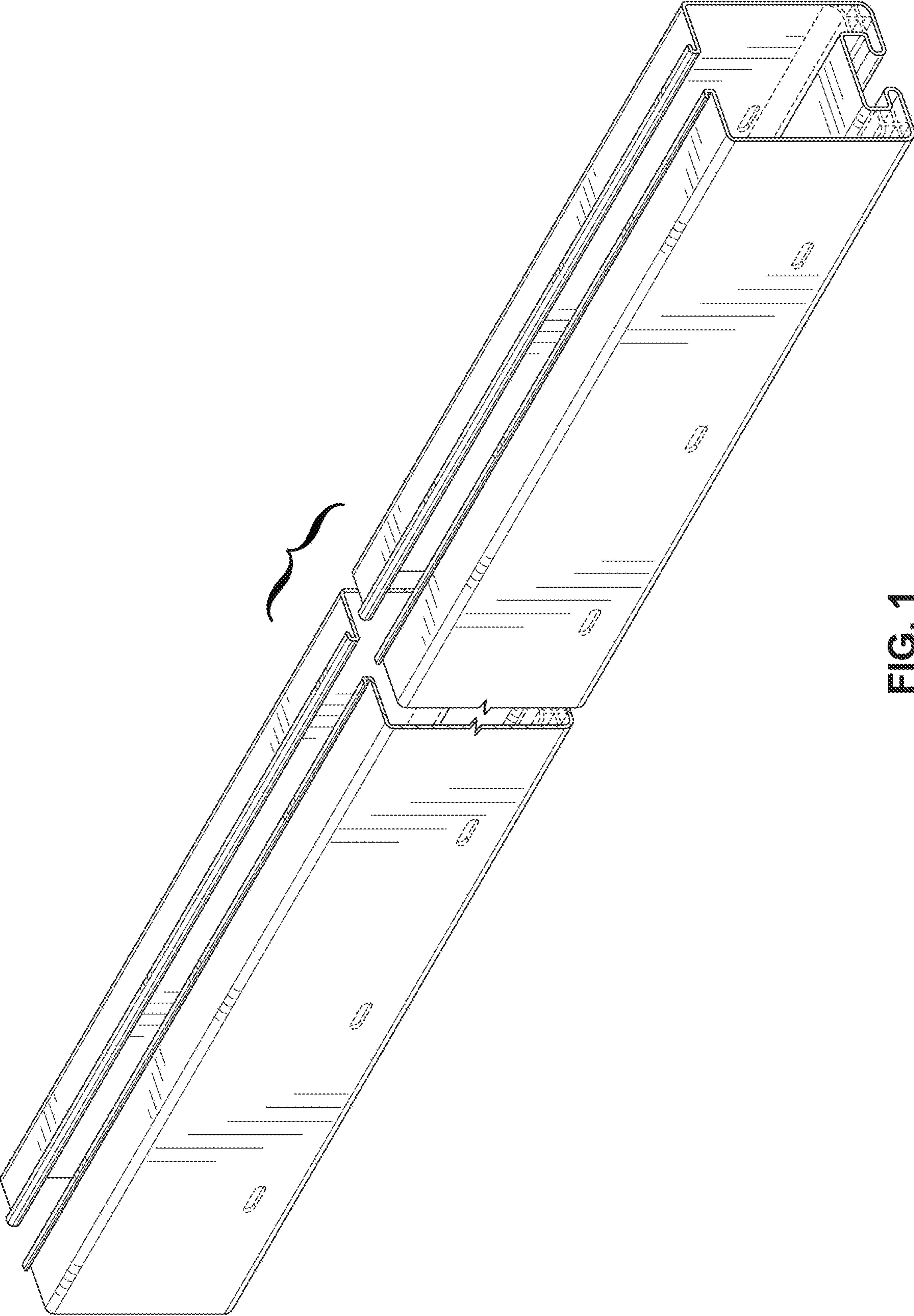
(56) **References Cited**

U.S. PATENT DOCUMENTS

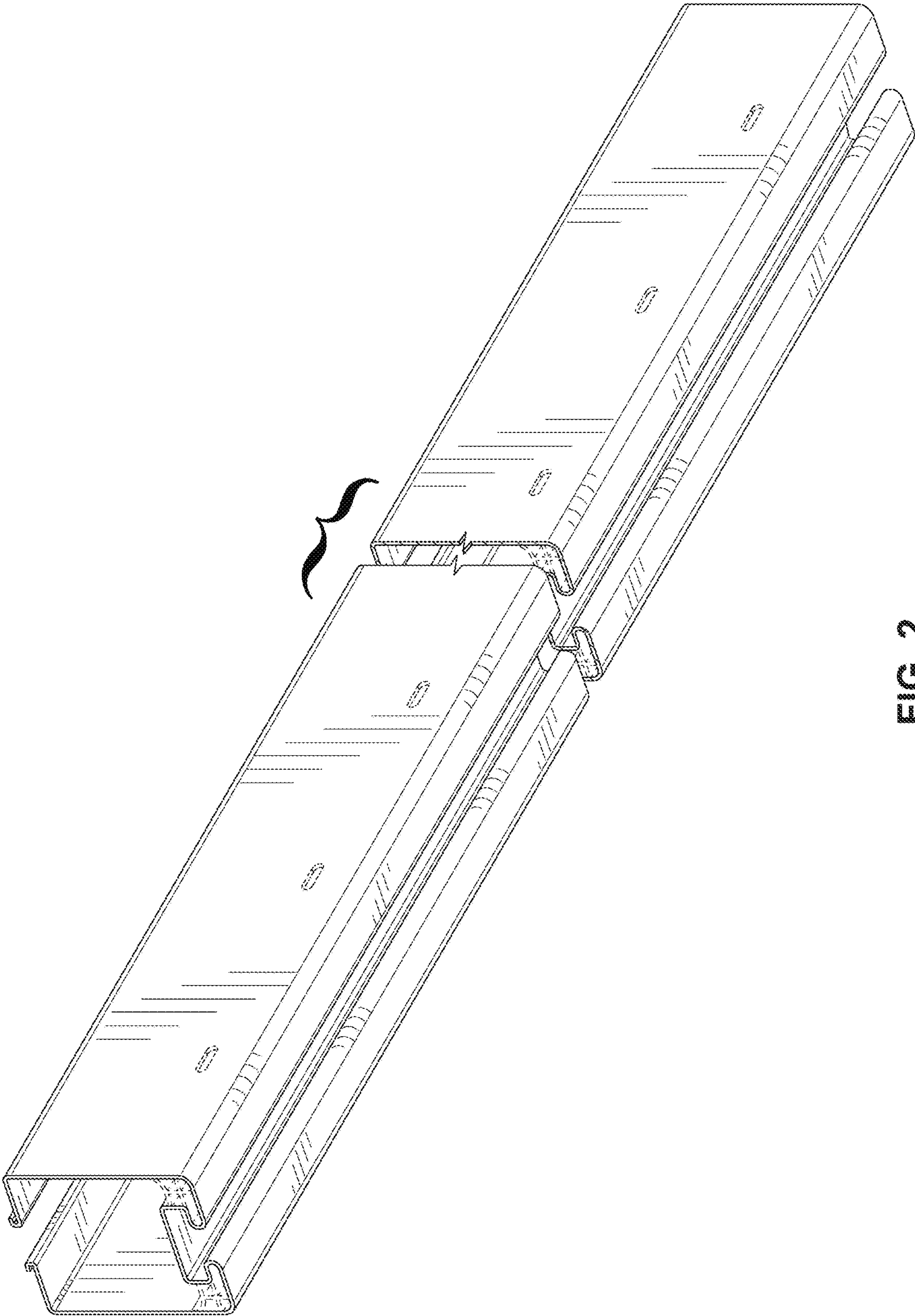
2,794,219 A \* 6/1957 Macklanburg ..... E06B 7/2316  
 49/469  
 2,947,043 A \* 8/1960 Klemma ..... E06B 7/2316  
 49/468  
 3,003,203 A \* 10/1961 Grunwald ..... E06B 1/70  
 49/467  
 3,014,253 A \* 12/1961 Manville ..... E06B 3/9632  
 49/469  
 3,072,976 A \* 1/1963 Klaas ..... E06B 1/70  
 49/468  
 3,261,130 A \* 7/1966 Lawson ..... E06B 7/2316  
 49/469  
 3,374,579 A \* 3/1968 Neff ..... E06B 7/2316  
 49/468  
 3,667,192 A \* 6/1972 Sewell ..... E06B 1/70  
 52/213  
 4,074,464 A \* 2/1978 McCay ..... E06B 1/70  
 49/468  
 4,104,830 A \* 8/1978 Eagle ..... E06B 1/70  
 49/468  
 4,387,535 A \* 6/1983 Corbo ..... E06B 1/70  
 49/468  
 D315,542 S \* 3/1991 Dalton ..... D12/167  
 5,010,686 A \* 4/1991 Rivest ..... A01G 31/02  
 47/62 C  
 D318,177 S \* 7/1991 Winter ..... D3/323  
 5,029,911 A \* 7/1991 Daniels ..... E06B 1/70  
 292/170  
 D329,707 S \* 9/1992 Embree ..... D25/119  
 D366,119 S \* 1/1996 Headrick ..... D25/48.2  
 5,819,826 A \* 10/1998 Schmatjen ..... B27L 11/005  
 144/241  
 D430,811 S \* 9/2000 DeVos ..... D10/71

D506,663 S \* 6/2005 Biller ..... D25/125  
 6,968,879 B2 \* 11/2005 Schuh ..... B27L 11/005  
 144/174  
 7,000,351 B2 \* 2/2006 Baumann ..... A01G 27/04  
 47/32.7  
 7,181,886 B2 \* 2/2007 Bourgoin ..... A01G 31/047  
 47/62 A  
 7,559,173 B2 \* 7/2009 Brusatore ..... A01G 31/047  
 47/82  
 D674,889 S \* 1/2013 Mims ..... D23/386  
 8,769,875 B1 \* 7/2014 Scoggins ..... E06B 1/70  
 49/467  
 8,984,807 B2 \* 3/2015 Hansen ..... A01G 31/02  
 47/60  
 D742,540 S \* 11/2015 Singh ..... D25/119  
 D746,669 S \* 1/2016 McBride ..... E04F 13/0803  
 D8/382  
 9,380,751 B2 \* 7/2016 Storey ..... A01G 31/02  
 D785,497 S \* 5/2017 Storey ..... D11/143  
 9,795,089 B2 \* 10/2017 Kantola ..... A01G 9/02  
 9,816,311 B2 \* 11/2017 Reyes ..... E06B 1/70  
 D821,915 S \* 7/2018 Storey ..... D11/155  
 D826,769 S \* 8/2018 Storey ..... D11/155  
 10,080,335 B1 \* 9/2018 Van Wingerden ..... A01G 9/027  
 D832,738 S \* 11/2018 Storey ..... D11/143  
 D834,728 S \* 11/2018 Jackson ..... D25/119  
 D839,783 S \* 2/2019 Van Wingerden ..... A01G 9/047  
 D11/156  
 10,485,186 B2 \* 11/2019 Storey ..... A01G 31/02  
 10,638,677 B2 \* 5/2020 Storey ..... A01G 31/02  
 D908,042 S \* 1/2021 Brown ..... D11/156  
 2005/0011119 A1 \* 1/2005 Bourgoin ..... A01G 31/047  
 47/61  
 2009/0145870 A1 \* 6/2009 Tagawa ..... A01G 31/06  
 211/190  
 2009/0165373 A1 \* 7/2009 Souvlos ..... A01G 31/047  
 47/65  
 2012/0324787 A1 \* 12/2012 Daas ..... A01G 9/047  
 47/65.8  
 2014/0165458 A1 \* 6/2014 Wang ..... A01G 18/00  
 47/1.1  
 2015/0208592 A1 \* 7/2015 Marchildon ..... A01G 31/047  
 47/79  
 2015/0342127 A1 \* 12/2015 Gallant ..... A01G 9/021  
 47/20.1  
 2017/0099792 A1 \* 4/2017 Gallant ..... A01G 7/045

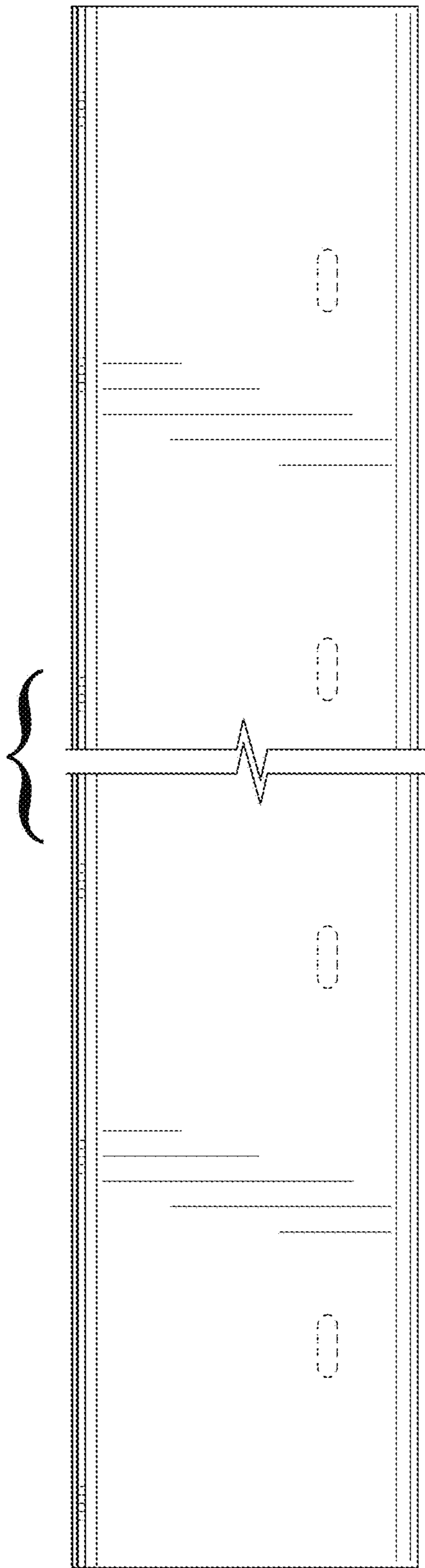
\* cited by examiner



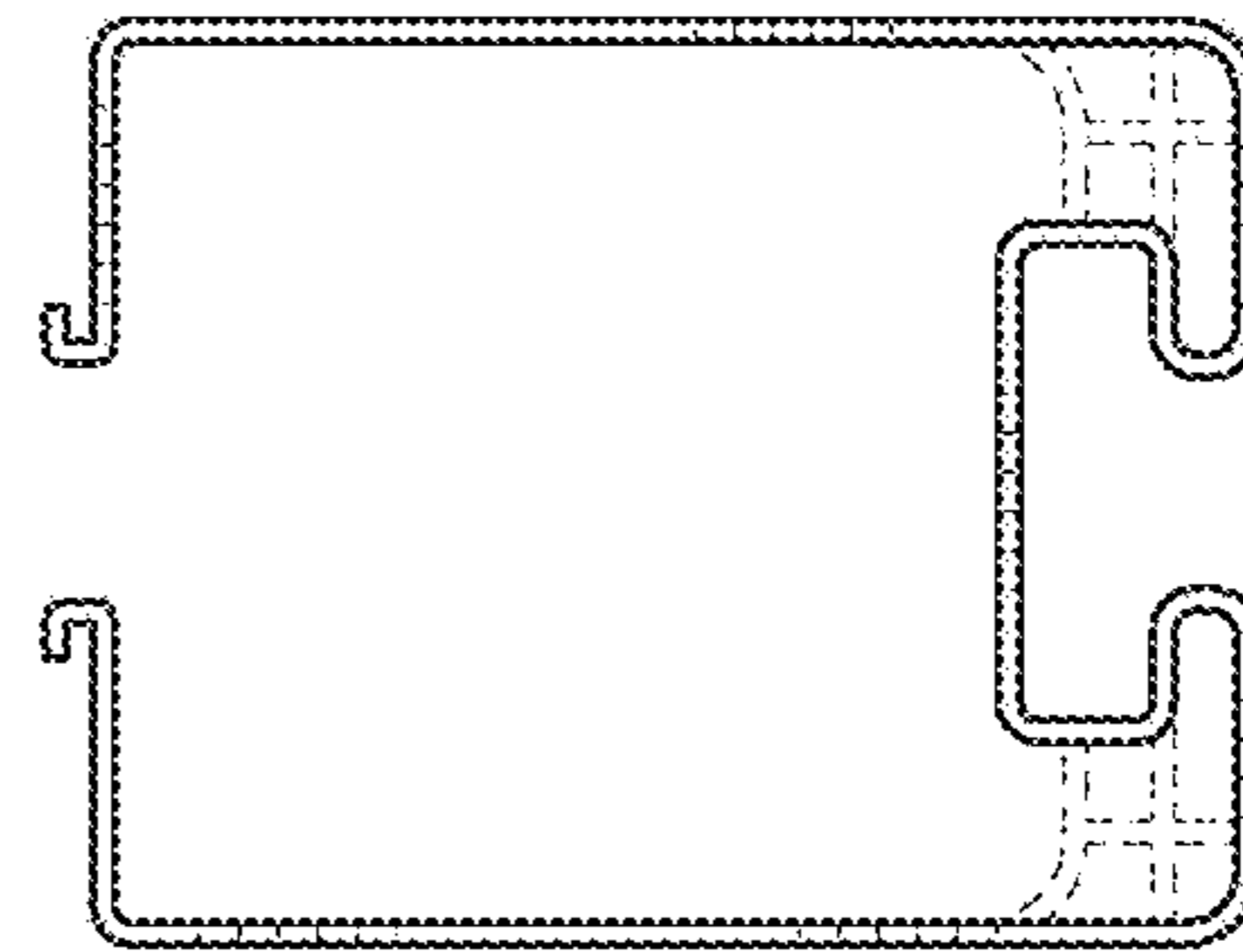
**FIG. 1**



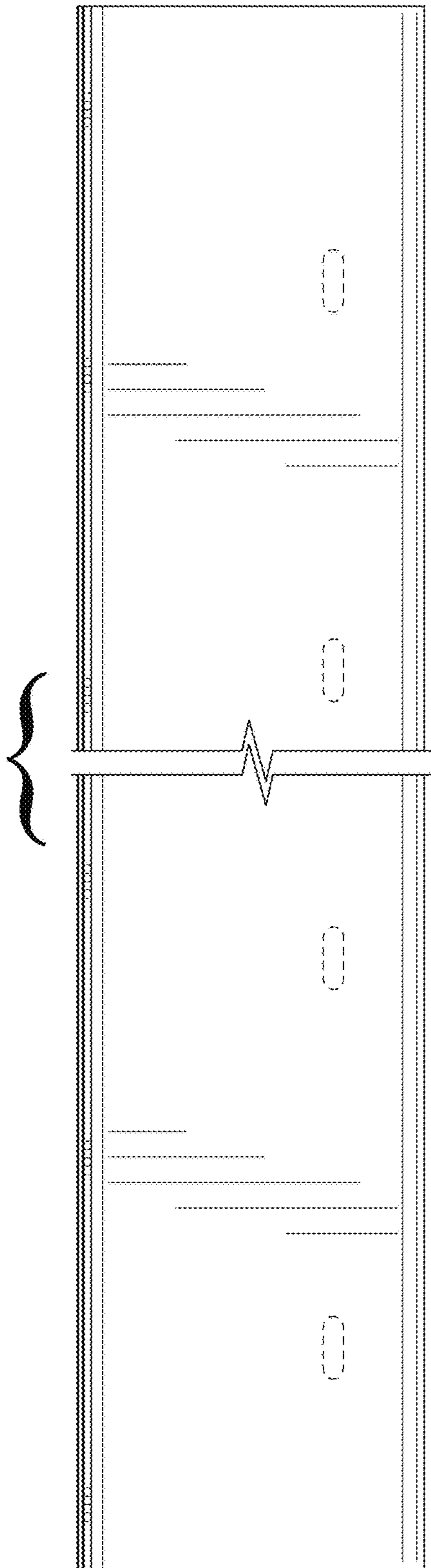
**FIG. 2**



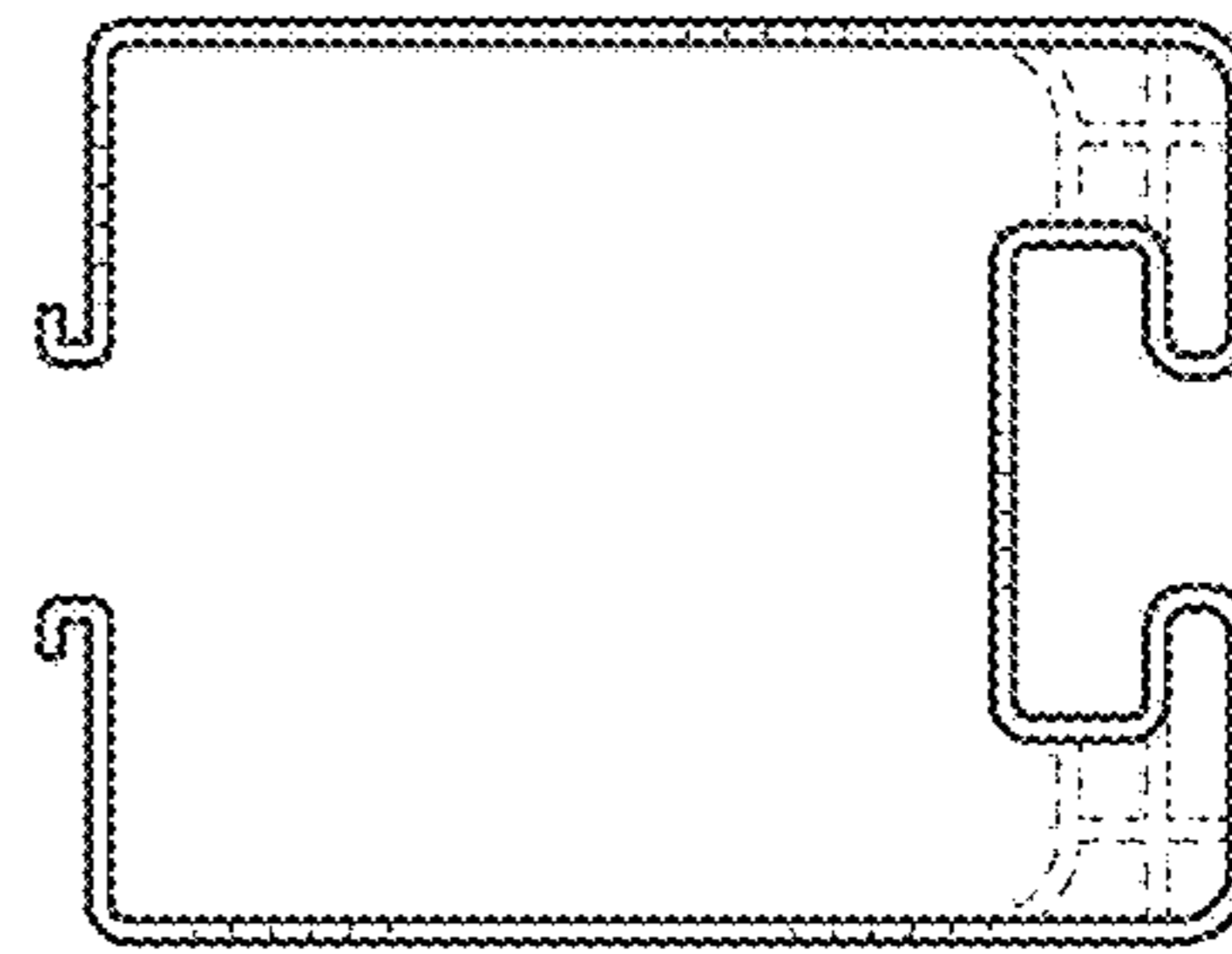
**FIG. 3**



**FIG. 4**



**FIG. 5**



**FIG. 6**

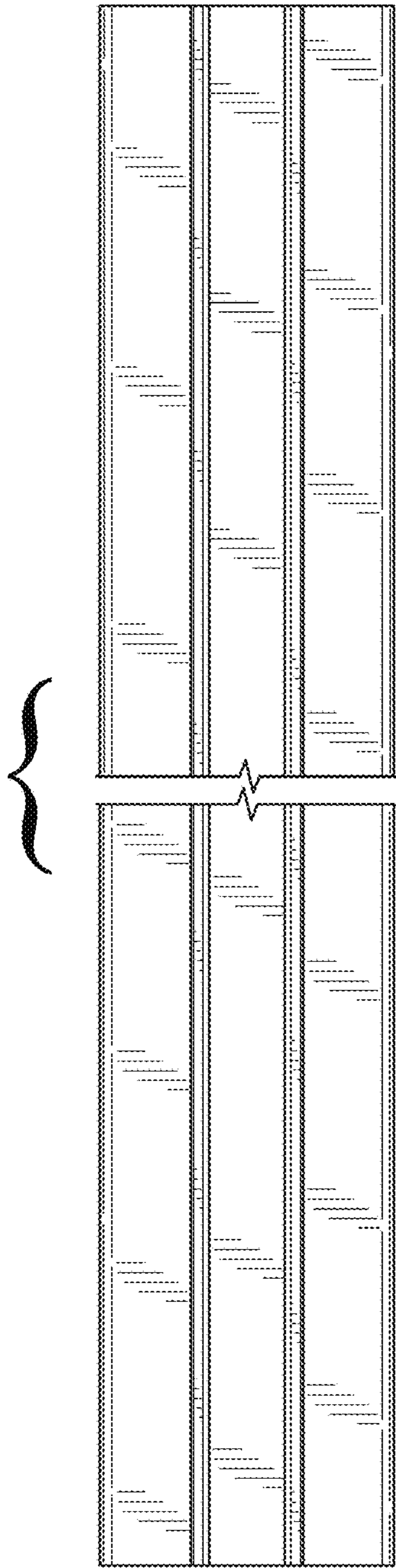


FIG. 7

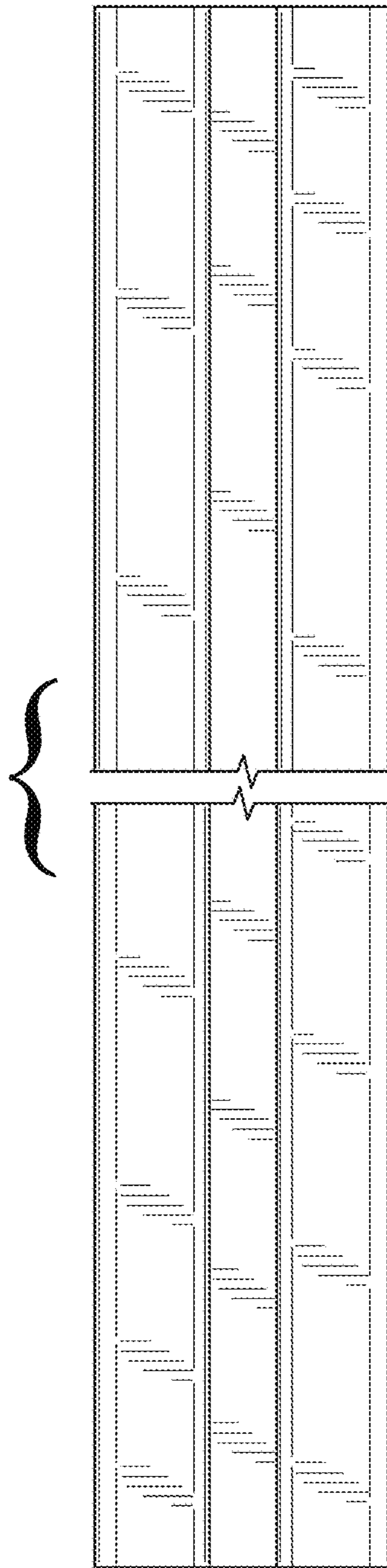
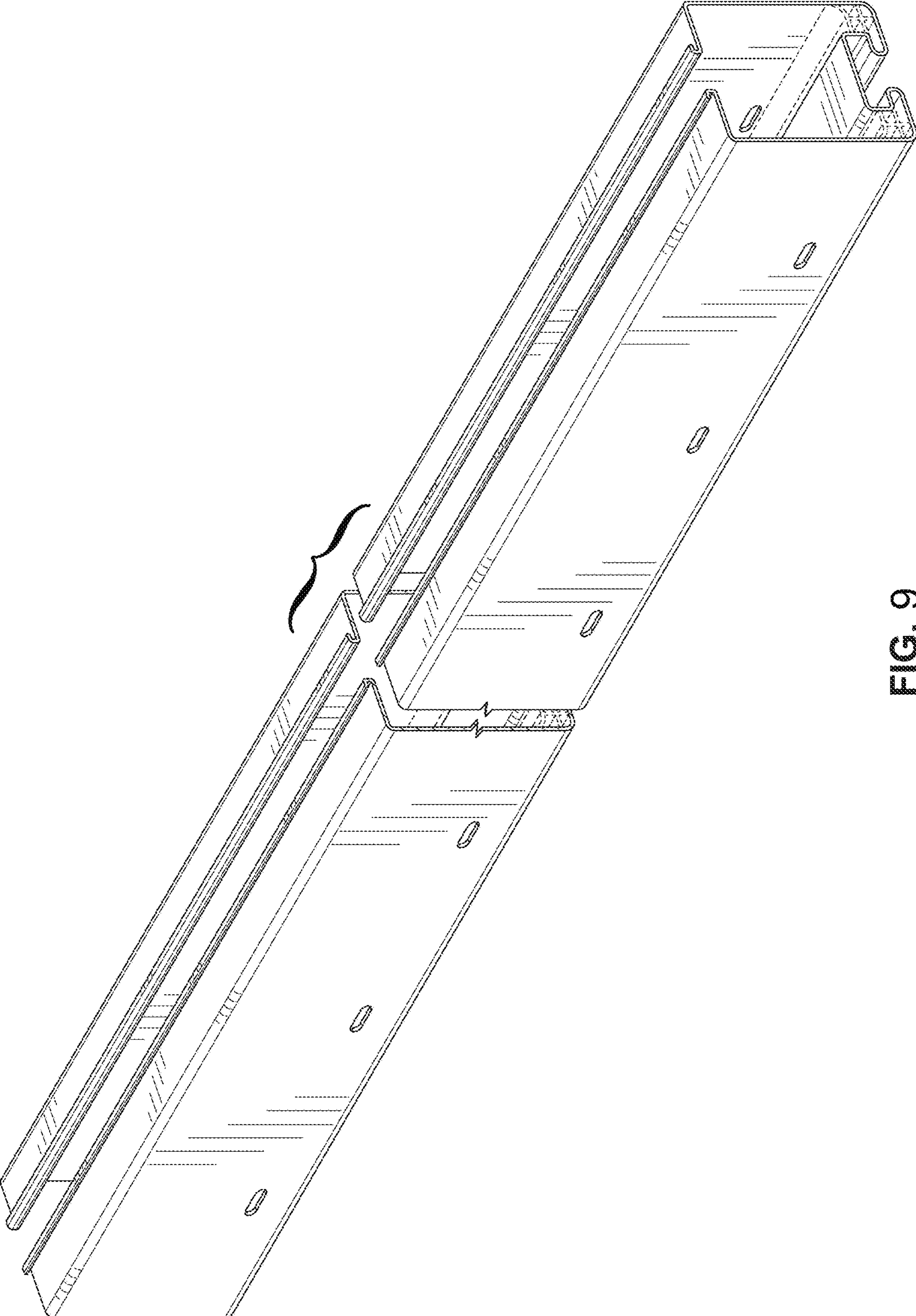
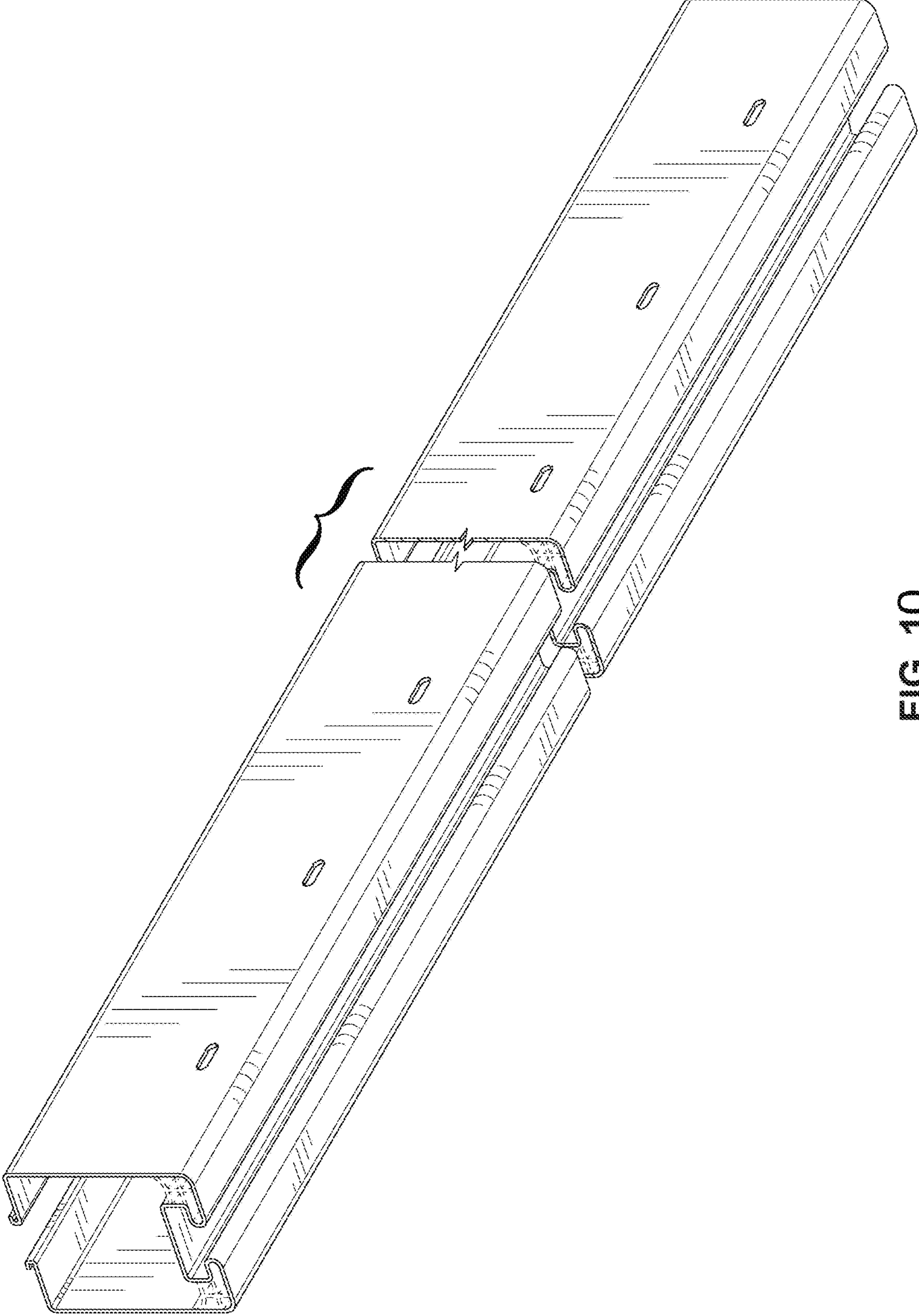


FIG. 8



**FIG. 9**





**FIG. 10**

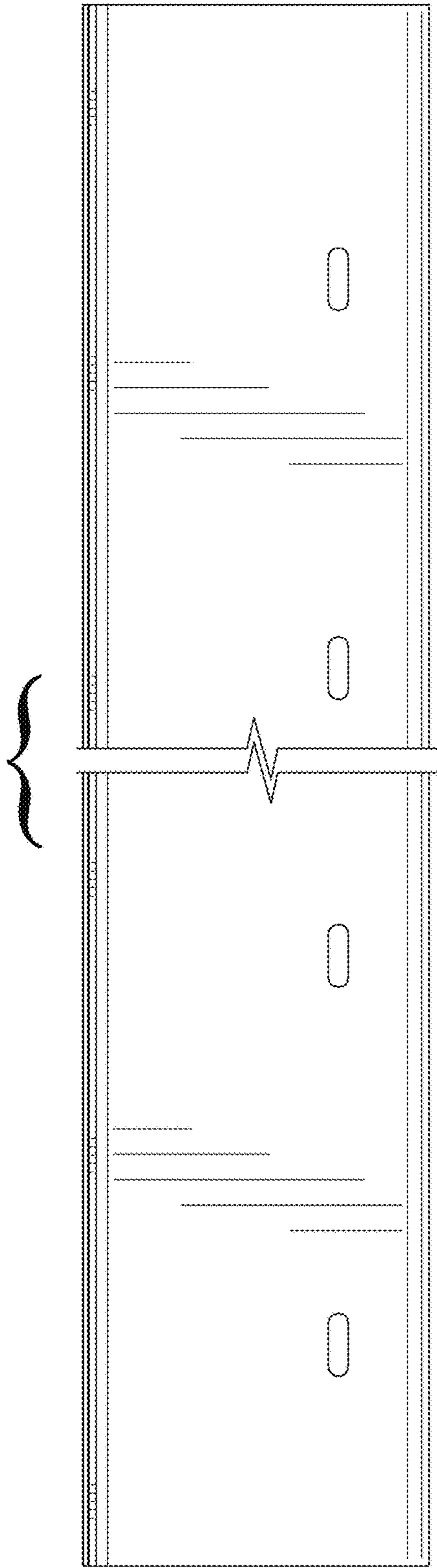


FIG. 11

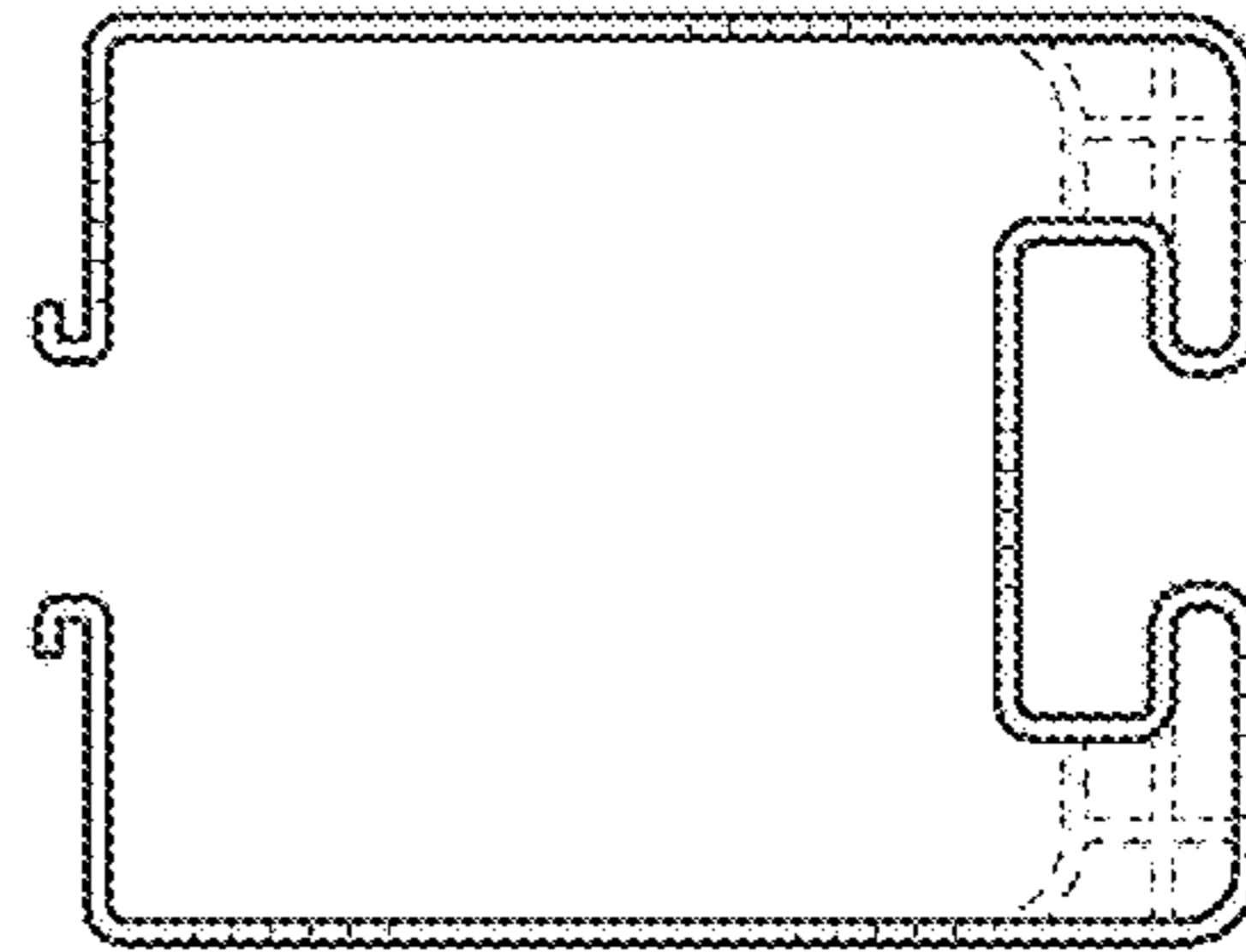
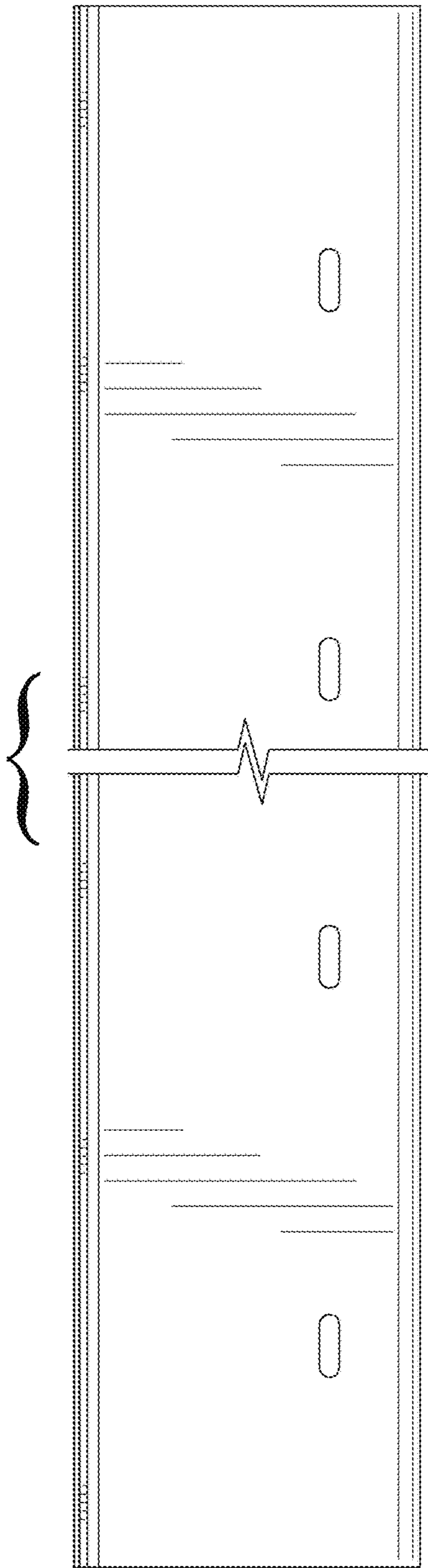
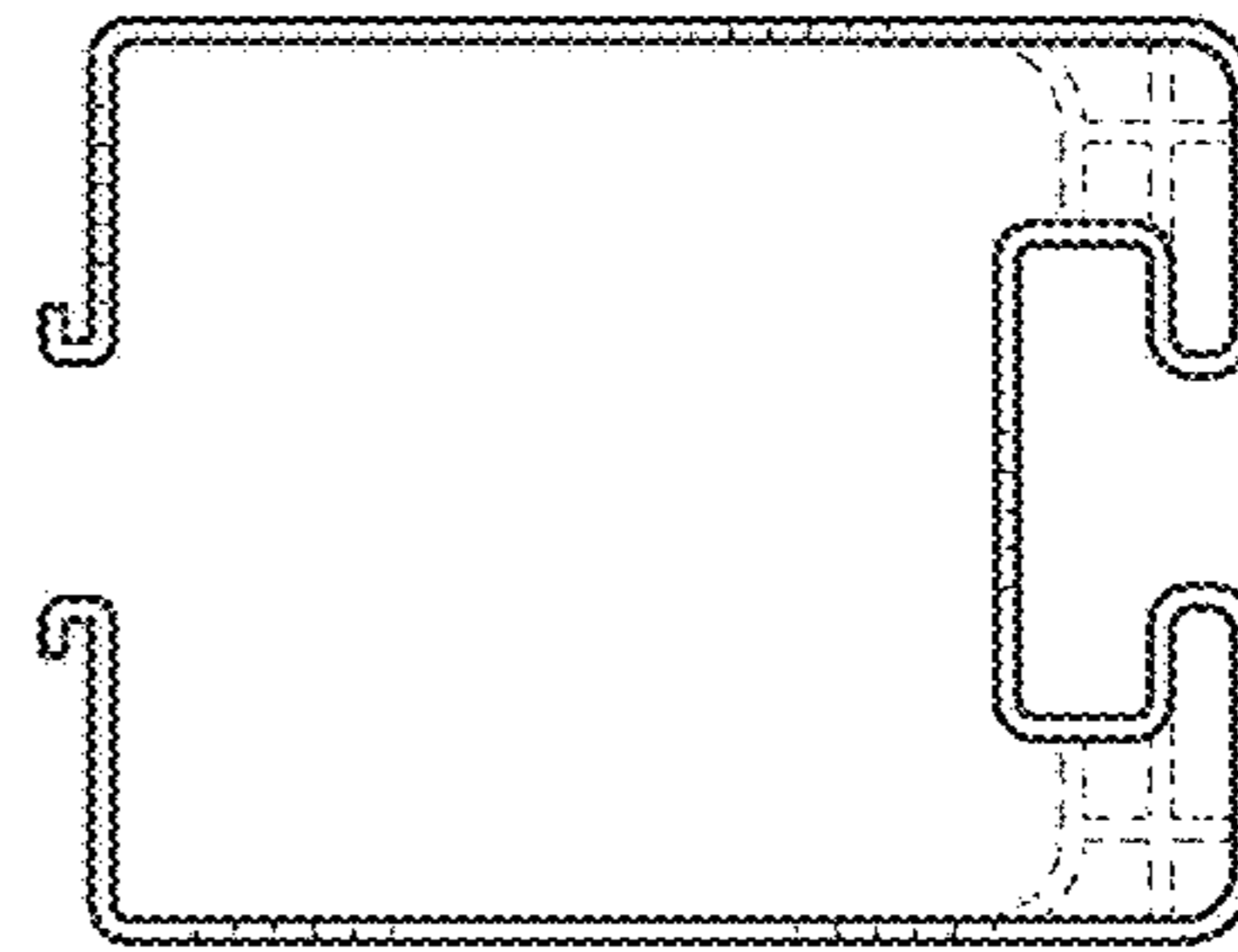


FIG. 12



**FIG. 13**



**FIG. 14**

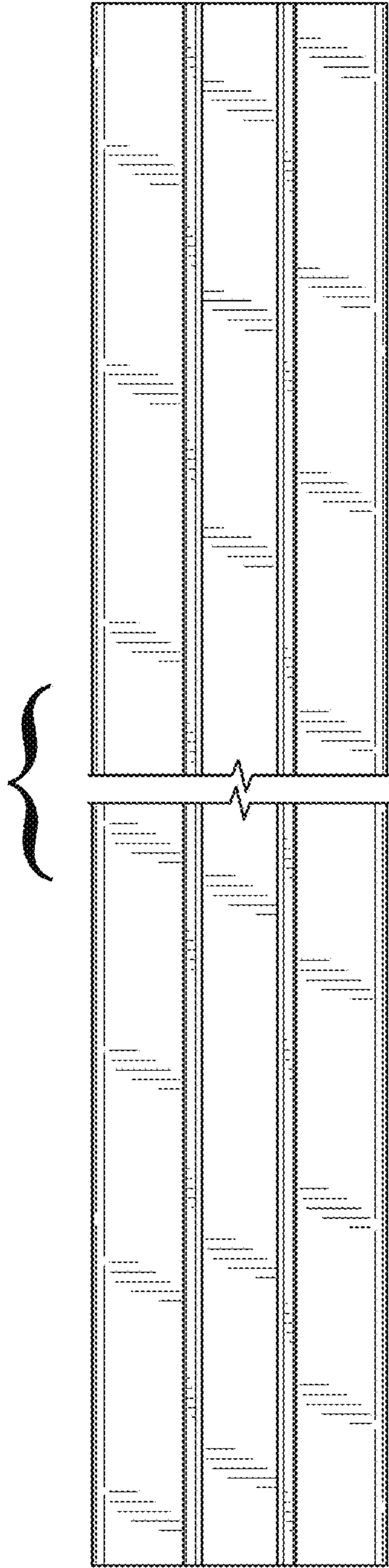


FIG. 15

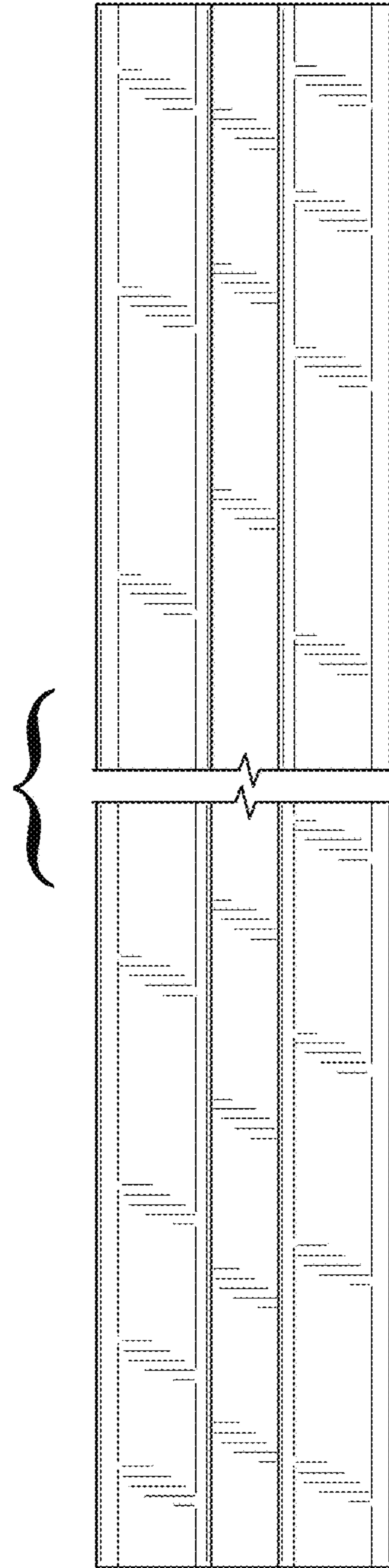


FIG. 16