



US00D926627S

(12) **United States Design Patent** (10) **Patent No.:** **US D926,627 S**
Craig et al. (45) **Date of Patent:** **** Aug. 3, 2021**

(54) **HYDROPONIC SYSTEM**

(56) **References Cited**

(71) Applicant: **OMS Investments, Inc.**, Los Angeles, CA (US)

U.S. PATENT DOCUMENTS

(72) Inventors: **Joseph Craig**, Marysville, OH (US); **Bradley Schultz**, Powell, OH (US); **Angie Gray**, Marysville, OH (US); **Whitney Maiden**, Marysville, OH (US); **Ryan Berger**, Columbus, OH (US); **Sean Montag**, Columbus, OH (US)

1,959,510 A	5/1934	Waveren
2,930,162 A	3/1960	Mulford
3,106,801 A	10/1963	Risacher
4,236,353 A	12/1980	Sorenson
RE30,657 E	6/1981	Mason, Jr. et al.
4,850,134 A	7/1989	Snekkenes
5,067,275 A	11/1991	Constance
5,117,581 A	6/1992	Green et al.
5,282,335 A	2/1994	Holtkamp
5,394,647 A	3/1995	Blackford, Jr.
5,502,923 A	4/1996	Bradshaw

(73) Assignee: **OMS Investments, Inc.**, Los Angeles, CA (US)

(Continued)

(**) Term: **15 Years**

FOREIGN PATENT DOCUMENTS

(21) Appl. No.: **29/755,189**

CN	107343470 A	11/2017
DE	202014101488 U1	7/2014

(22) Filed: **Oct. 19, 2020**

Primary Examiner — Elizabeth A. Albert

(74) *Attorney, Agent, or Firm* — Ulmer & Berne LLP

Related U.S. Application Data

(62) Division of application No. 29/670,949, filed on Nov. 21, 2018, now Pat. No. Des. 899,299.

(51) **LOC (13) Cl.** **11-02**

(52) **U.S. Cl.**

USPC **D11/155**

(58) **Field of Classification Search**

USPC D11/143–156, 164; D6/691.6, 692.4, D6/403–405, 556–558; D34/5
CPC . A47G 7/02; A47G 7/04; A47G 7/041; A47G 7/042; A47G 7/044; A47G 7/045; A47G 7/047; A47G 7/06; A47G 7/063; A47G 7/08; A47G 2007/048; A01G 2009/003; A01G 9/02; A01G 9/021; A01G 9/022; A01G 9/026; A01G 9/028; A01G 9/029; A01G 9/0293; A01G 9/0299; A01G 9/033; A01G 9/04; A01G 9/045; A01G 9/047

See application file for complete search history.

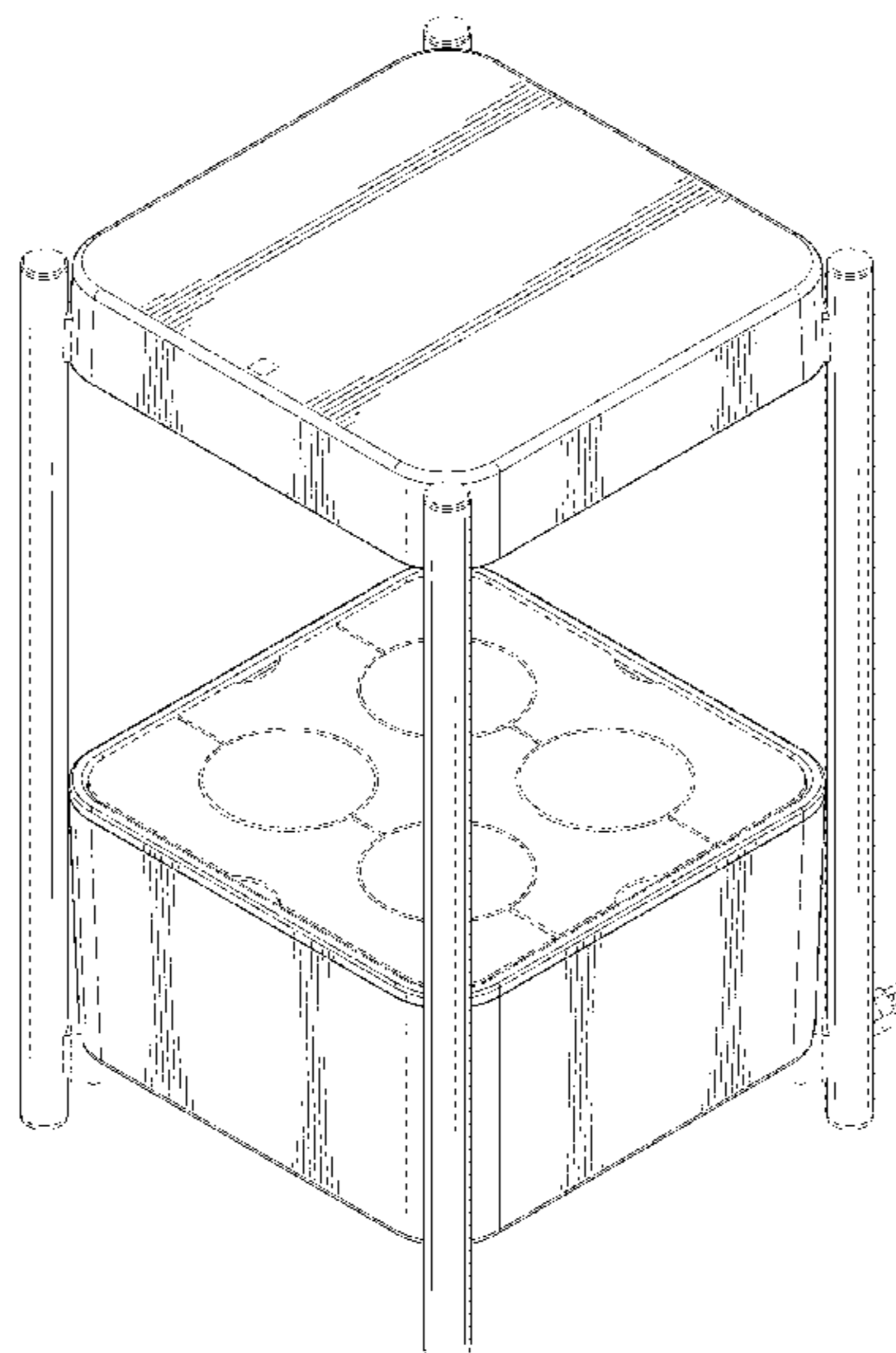
(57) **CLAIM**

The ornamental design for a hydroponic system, as shown and described.

DESCRIPTION

FIG. 1 is a top isometric view of a hydroponic system illustrating the new design; FIG. 2 is a front elevational view thereof; FIG. 3 is a back elevational view thereof; FIG. 4 is a right side elevational view thereof; FIG. 5 is a left side elevational view thereof; FIG. 6 is a top planar view thereof; FIG. 7 is a bottom planar view thereof; and, FIG. 8 is a bottom isometric view thereof. The broken lines in the drawings are included for the purpose of illustrating portions of the hydroponic system that form no part of the claimed design.

1 Claim, 8 Drawing Sheets



(56)

References Cited

U.S. PATENT DOCUMENTS

5,673,511 A	10/1997	Holtkamp, Jr.	D852,090 S *	6/2019	Bowerman	D11/155
6,901,700 B2	6/2005	Trabka	10,383,292 B2	8/2019	Jollie	
7,069,691 B2	7/2006	Brooke et al.	2005/0229487 A1	10/2005	Whisenant	
D606,773 S	12/2009	Copp et al.	2005/0274073 A1	12/2005	Brooke et al.	
D625,145 S	10/2010	King et al.	2006/0288640 A1	12/2006	Leithold	
8,667,734 B2	3/2014	Johnson et al.	2007/0271841 A1	11/2007	Bissonnette et al.	
8,701,651 B2	4/2014	King et al.	2008/0282610 A1	11/2008	Bissonnette et al.	
D704,011 S	5/2014	Velez et al.	2008/0313960 A1	12/2008	Norvitch	
8,998,473 B1	4/2015	Anderson	2009/0126269 A1	5/2009	Wilson et al.	
9,003,700 B2	4/2015	Kumar	2011/0056132 A1	3/2011	Gardner	
9,173,352 B1	11/2015	Moreland	2011/0232190 A1	9/2011	Pindus et al.	
D771,520 S	11/2016	Bryan, III	2012/0000128 A1	1/2012	Rocheffort	
9,655,307 B2	5/2017	Burmann	2013/0255152 A1	10/2013	Johnson et al.	
9,872,095 B2	1/2018	Lee	2014/0026474 A1	1/2014	Kulas	
9,974,250 B1	5/2018	Creekmore et al.	2015/0201563 A1	7/2015	Chiang et al.	
10,149,442 B2	12/2018	Hohmann	2015/0208598 A1	7/2015	Kern	
D836,936 S	1/2019	Jeppson	2018/0064048 A1	3/2018	Joseph et al.	
D850,323 S	6/2019	Kaminski et al.	2018/0092312 A1	4/2018	Goodwin et al.	
			2018/0368346 A1	12/2018	Watson	
			2019/0082626 A1	3/2019	Zeldes	
			2019/0191643 A1	6/2019	Chan et al.	

* cited by examiner

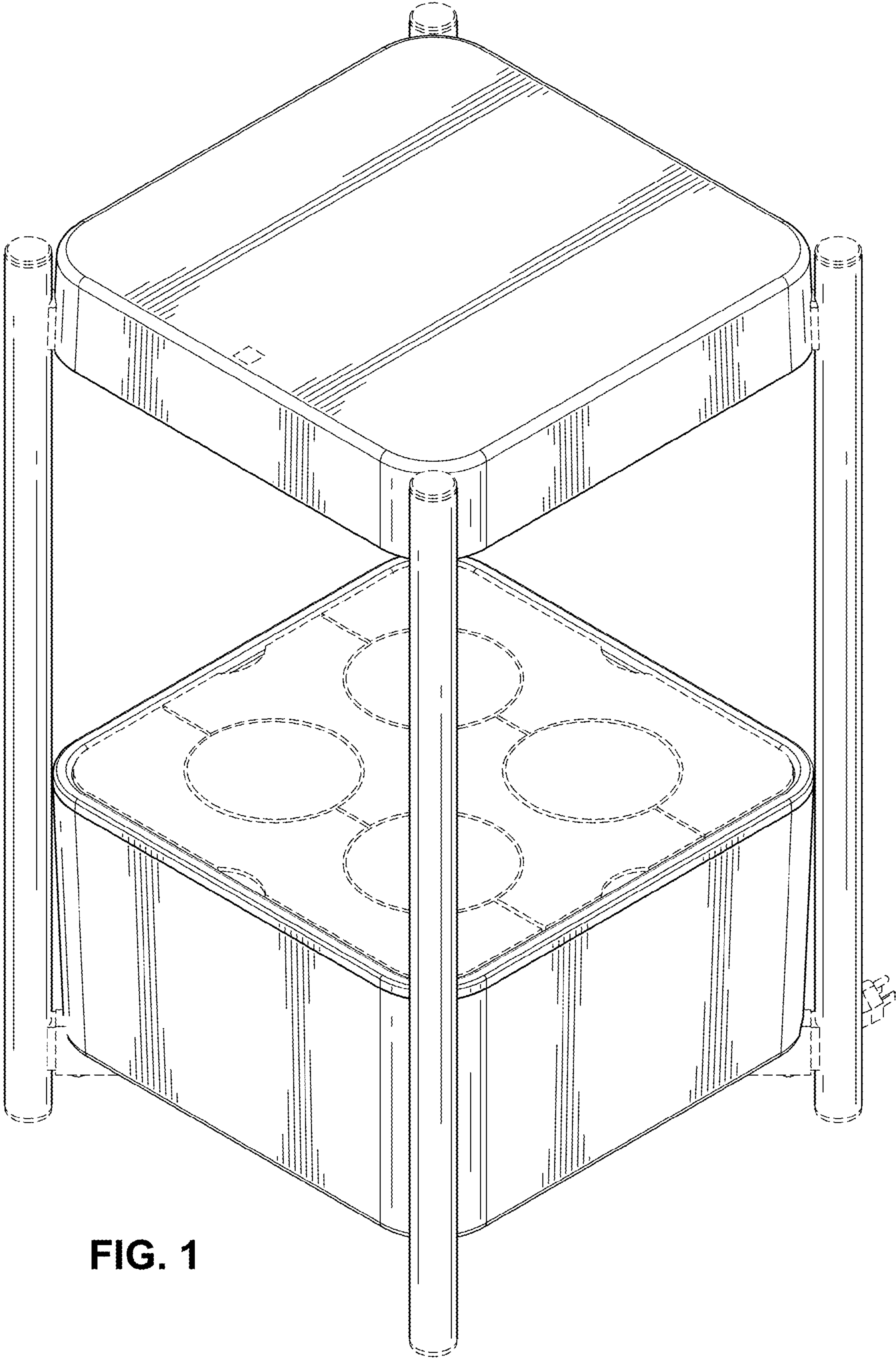


FIG. 1

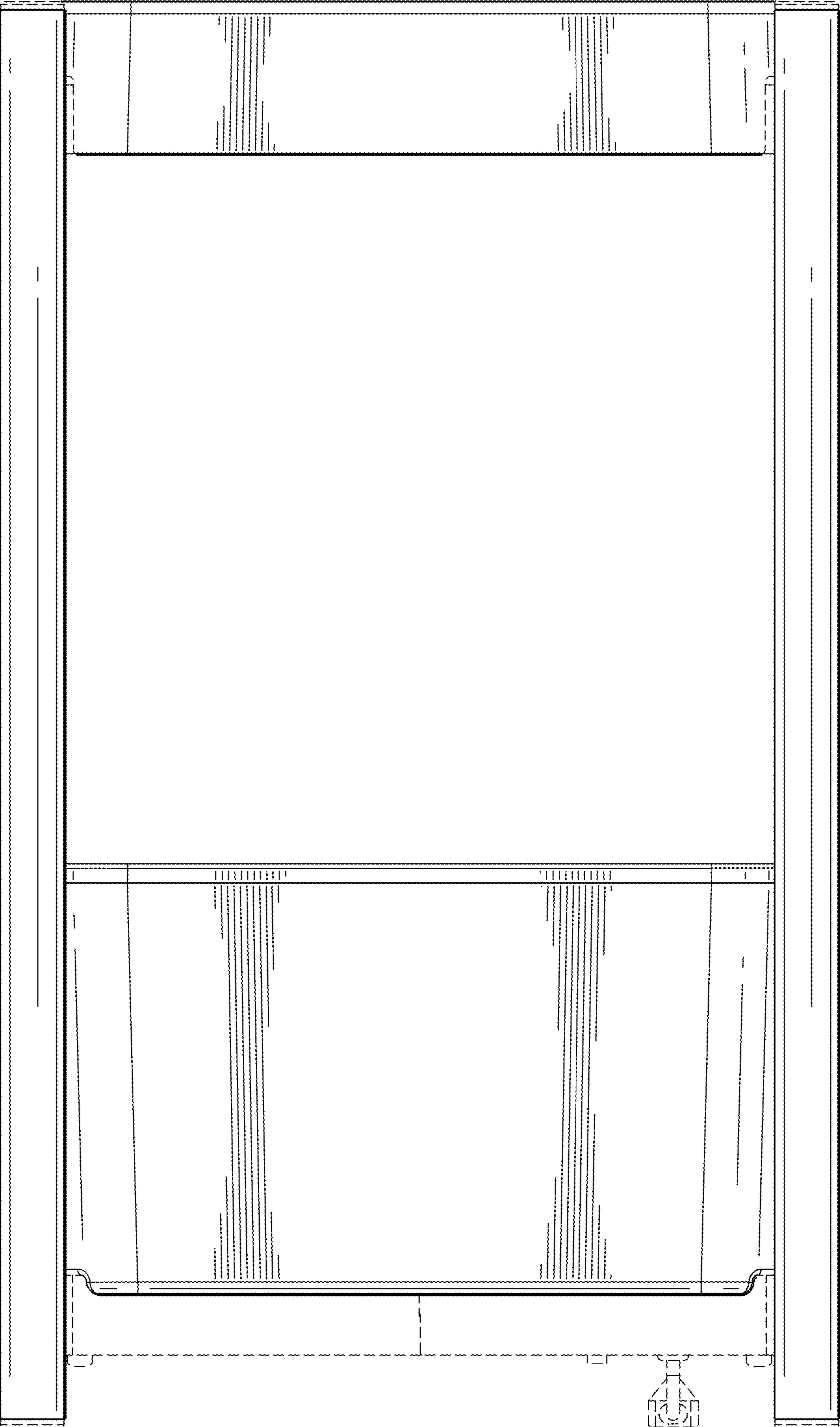


FIG. 2

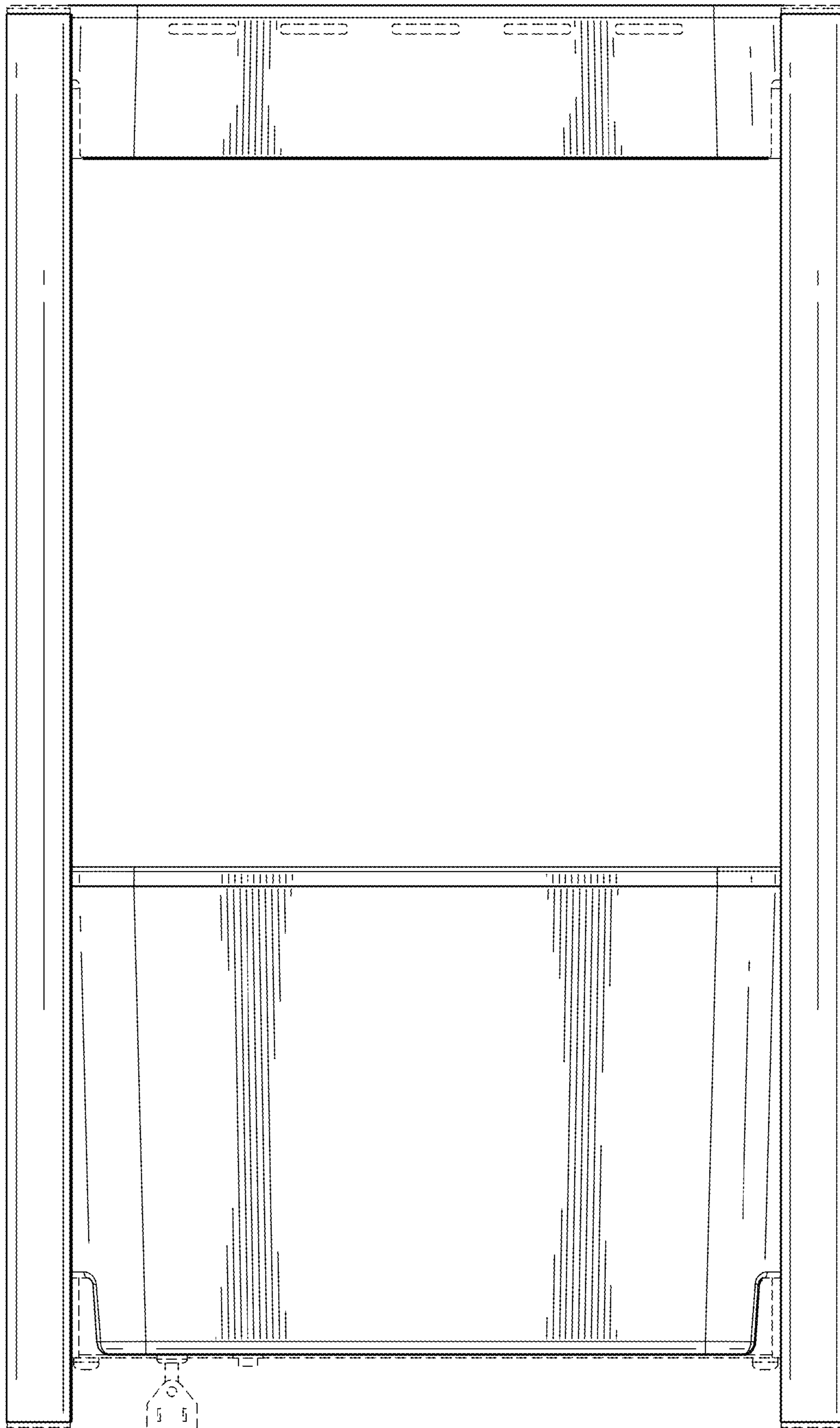


FIG. 3

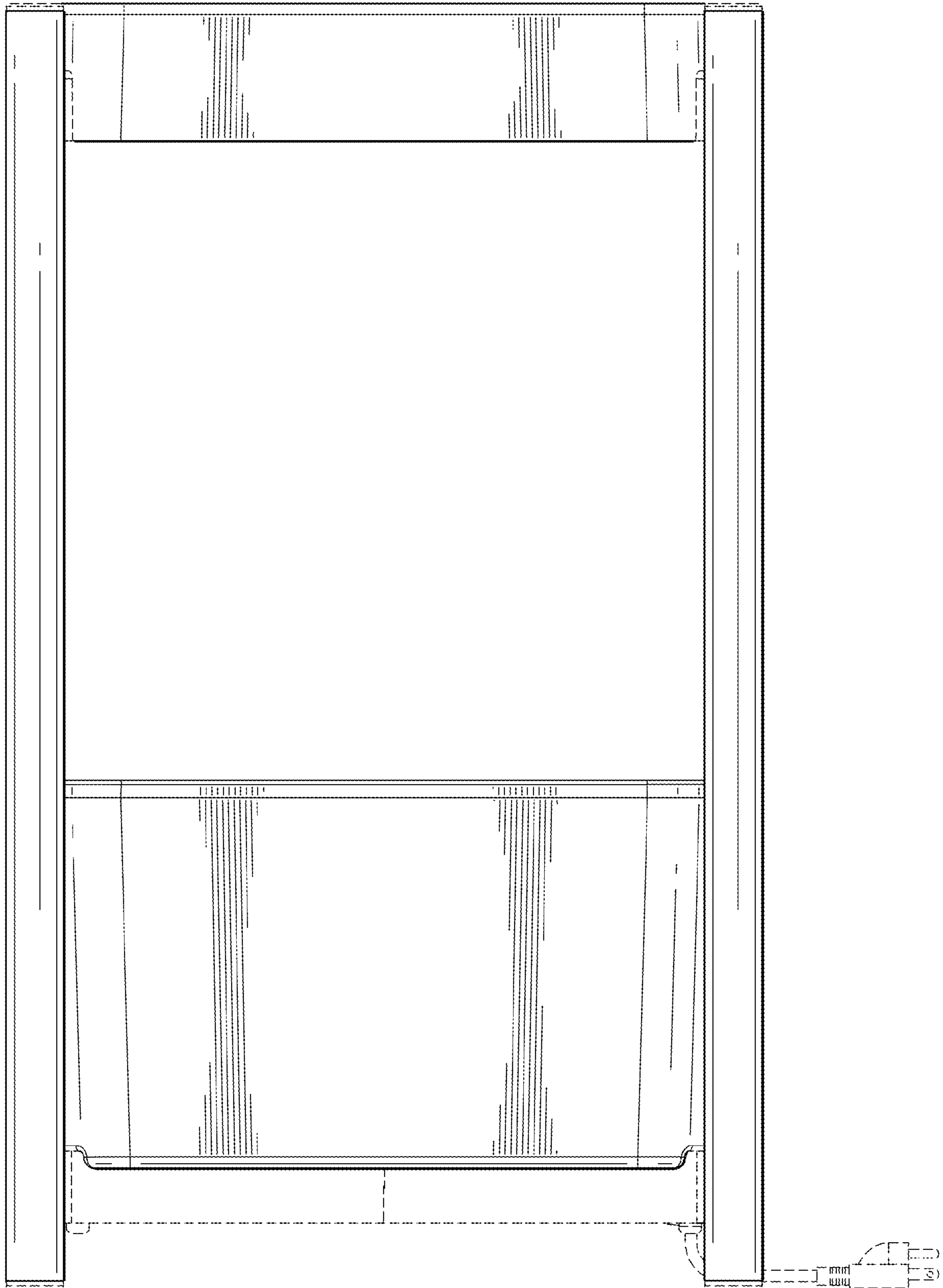


FIG. 4

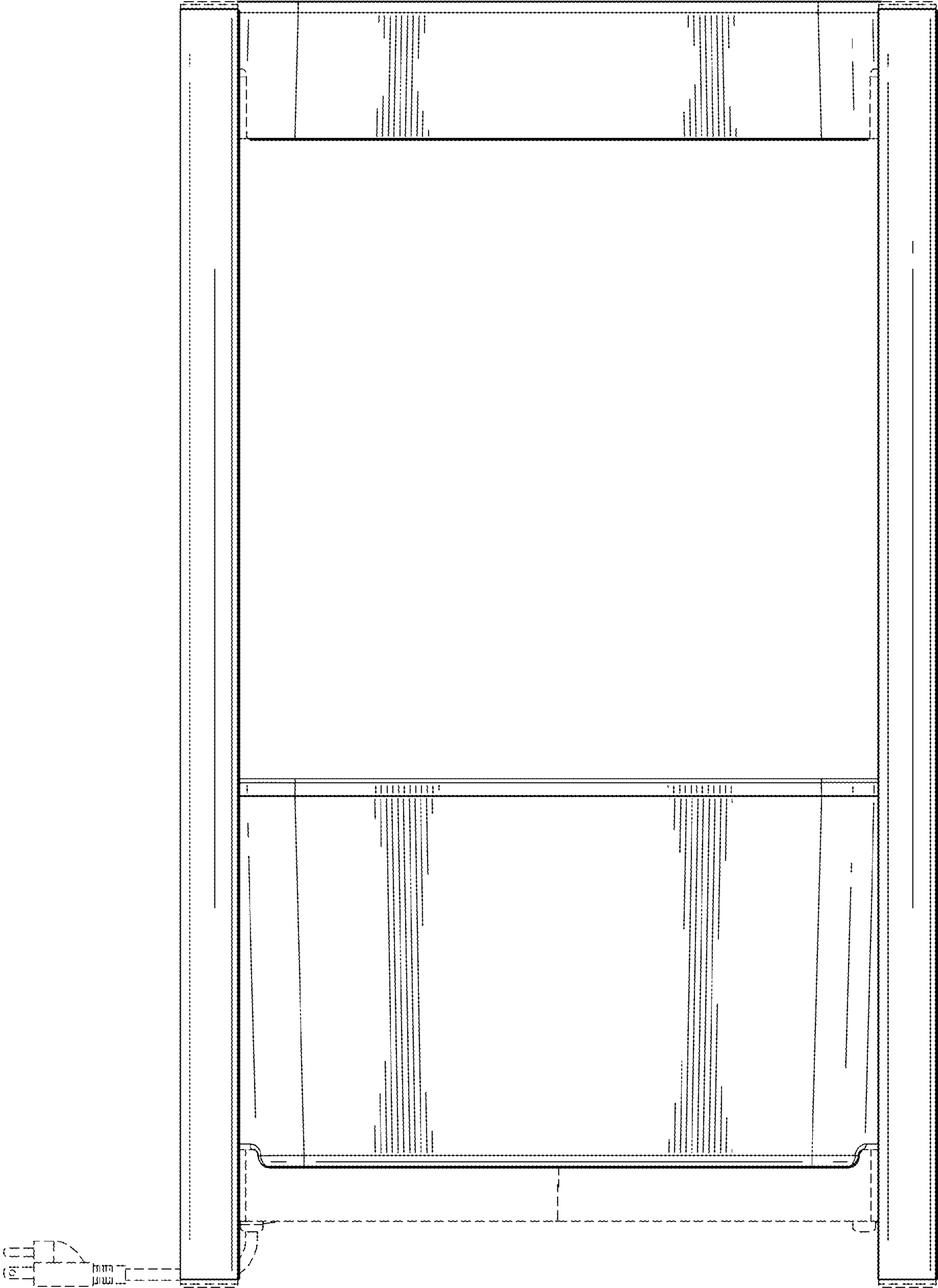


FIG. 5

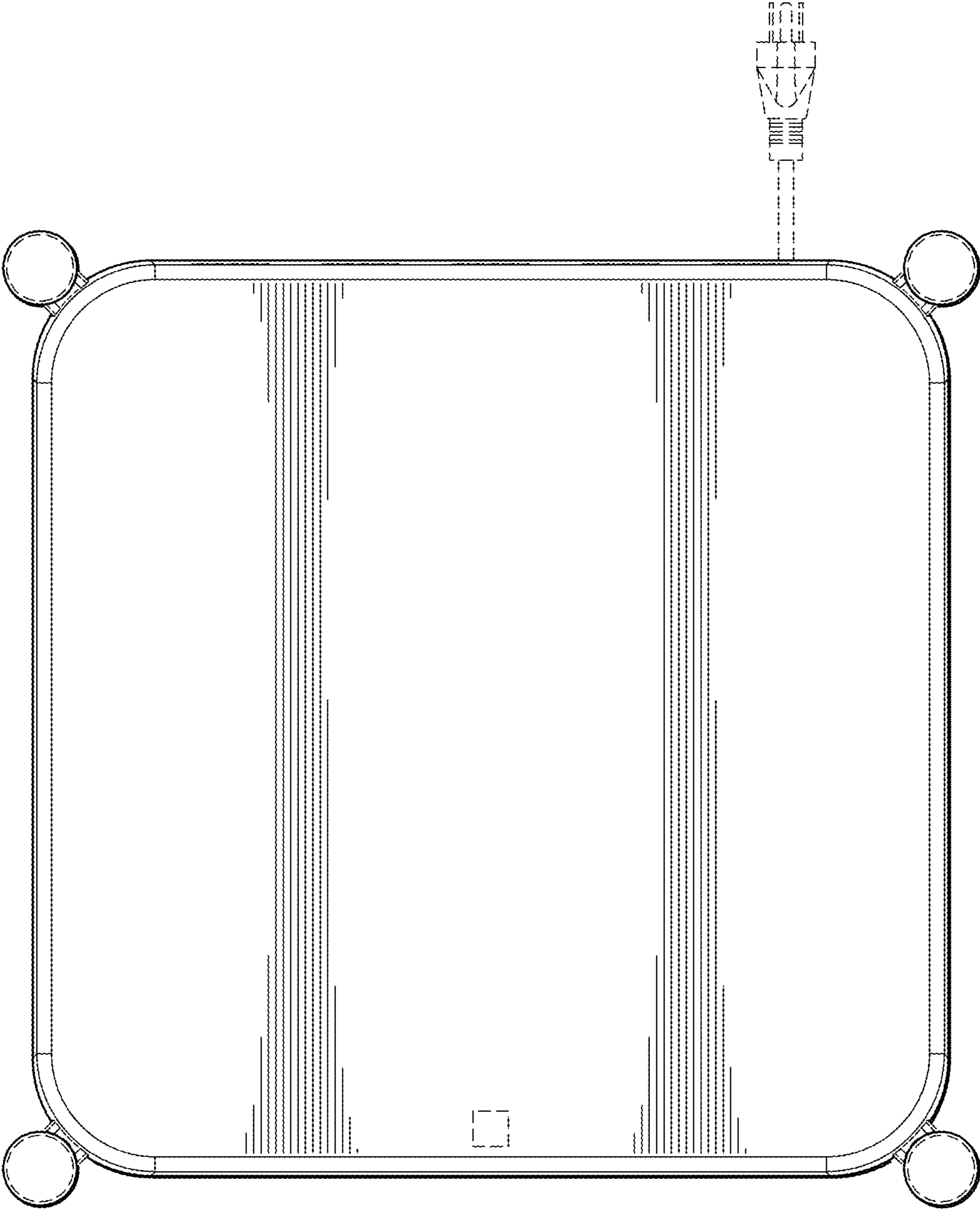


FIG. 6

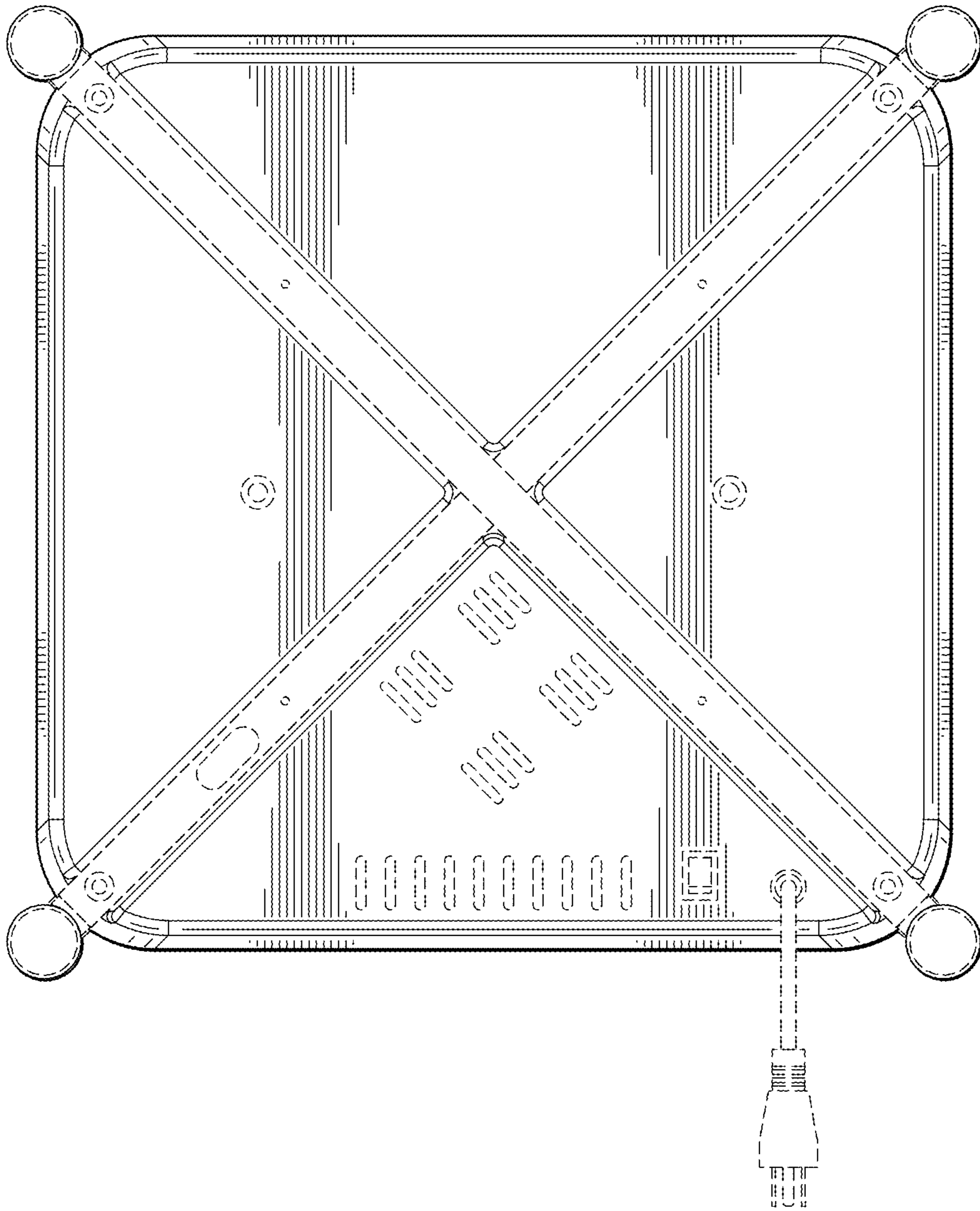


FIG. 7

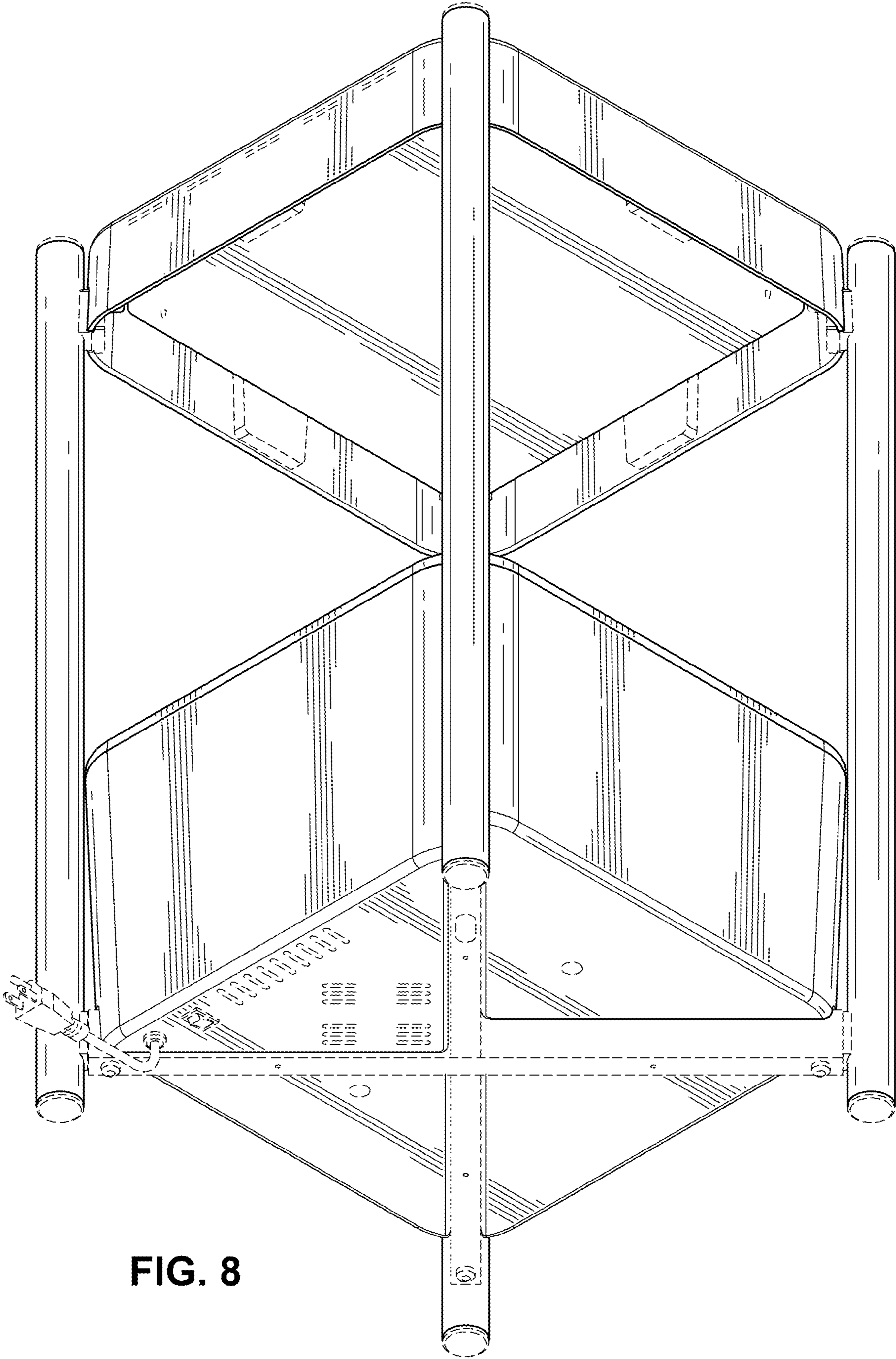


FIG. 8