



US00D926626S

(12) **United States Design Patent** (10) **Patent No.:** **US D926,626 S**
Joyce (45) **Date of Patent:** **** Aug. 3, 2021**

(54) **PLANTER**
(71) Applicant: **ATT Southern, Inc.**, Camp Hill, PA (US)
(72) Inventor: **John Joyce**, Lilburn, GA (US)
(73) Assignee: **ATT Southern, Inc.**, Camp Hill, PA (US)
(**) Term: **15 Years**
(21) Appl. No.: **29/717,832**
(22) Filed: **Dec. 19, 2019**
(51) **LOC (13) Cl.** **11-02**
(52) **U.S. Cl.**
USPC **D11/152**
(58) **Field of Classification Search**
USPC D11/143–156, 164; D3/304;
D6/403–405, 556–558; D7/584, 586,
D7/587; D8/1
CPC ... A01G 5/04; A01G 5/06; A01G 9/00; A01G
9/02; A01G 9/021; A01G 9/023; A01G
9/027; A01G 9/028; A01G 9/029; A01G
9/28; A01G 31/06
See application file for complete search history.

D398,259 S * 9/1998 Niemiec D11/151
D505,882 S * 6/2005 Hensen D11/152
D515,970 S * 2/2006 Hensen D11/153
D599,169 S * 9/2009 Stalions D7/510
7,886,484 B1 * 2/2011 Chen A01G 9/02
47/65.5
D684,891 S 6/2013 Team et al.
8,667,735 B2 * 3/2014 Harbaugh A01G 9/02
47/66.1
D708,546 S 7/2014 Hung et al.
D723,418 S * 3/2015 Thuma D11/143
9,226,455 B2 * 1/2016 Harbaugh A01G 9/021
D752,972 S * 4/2016 Goldstein D9/429
D791,546 S * 7/2017 Howell D7/584
D808,797 S * 1/2018 Rippin D9/429
D825,879 S * 8/2018 Li D34/7
D827,489 S * 9/2018 Beesley D11/152
D829,594 S * 10/2018 Beesley D11/152
10,219,444 B2 3/2019 Harbaugh

* cited by examiner

Primary Examiner — Elizabeth A. Albert
(74) *Attorney, Agent, or Firm* — Brooks Kushman P.C.

(57) **CLAIM**

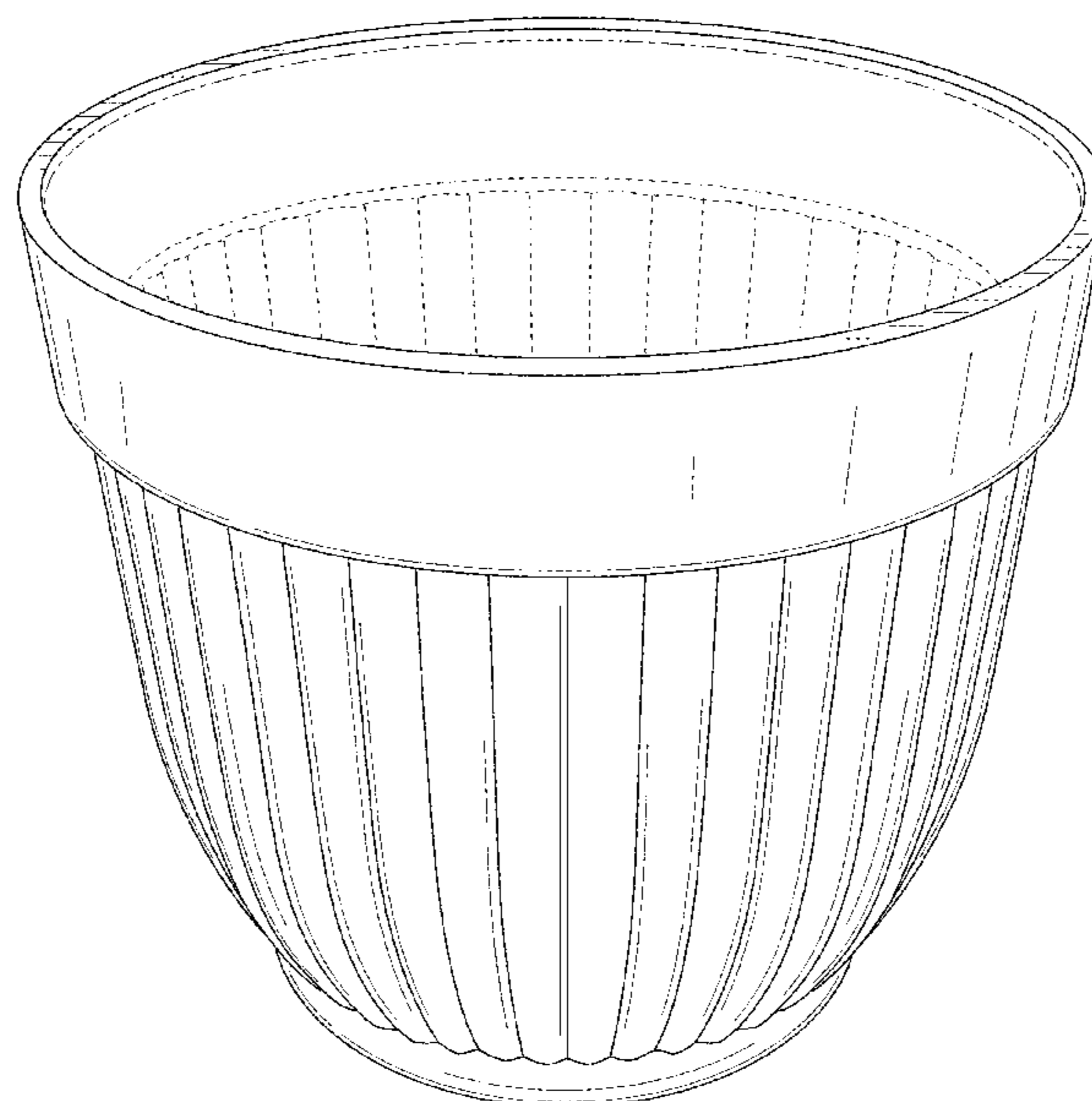
The ornamental design for a planter, as shown and described.

DESCRIPTION

FIG. 1 is a front, right, top perspective view of a planter showing my new design;
FIG. 2 is a front elevation view of FIG. 1, the rear elevation view being identical;
FIG. 3 is a right side elevation view of FIG. 1, the left side elevation view being identical;
FIG. 4 is a top plan view of FIG. 1; and,
FIG. 5 is a bottom plan view of FIG. 1.
The broken lines showing the inside and outside bottom are included for the purpose of illustrating portions of the planter that form no part of the claimed design.

1 Claim, 5 Drawing Sheets

(56) **References Cited**
U.S. PATENT DOCUMENTS
D17,664 S * 8/1887 Webb D7/505
D66,853 S * 3/1925 Heisey D7/562
D111,229 S * 9/1938 Spence D7/531
D194,247 S * 12/1962 Eicholtz D9/429
3,307,602 A * 3/1967 Boster B65D 47/127
220/254.7
D216,003 S * 11/1969 Smith D9/429
4,715,144 A * 12/1987 Lee A01G 9/021
47/66.6
D359,708 S * 6/1995 Boscato D11/152
D380,647 S * 7/1997 Durand D7/523



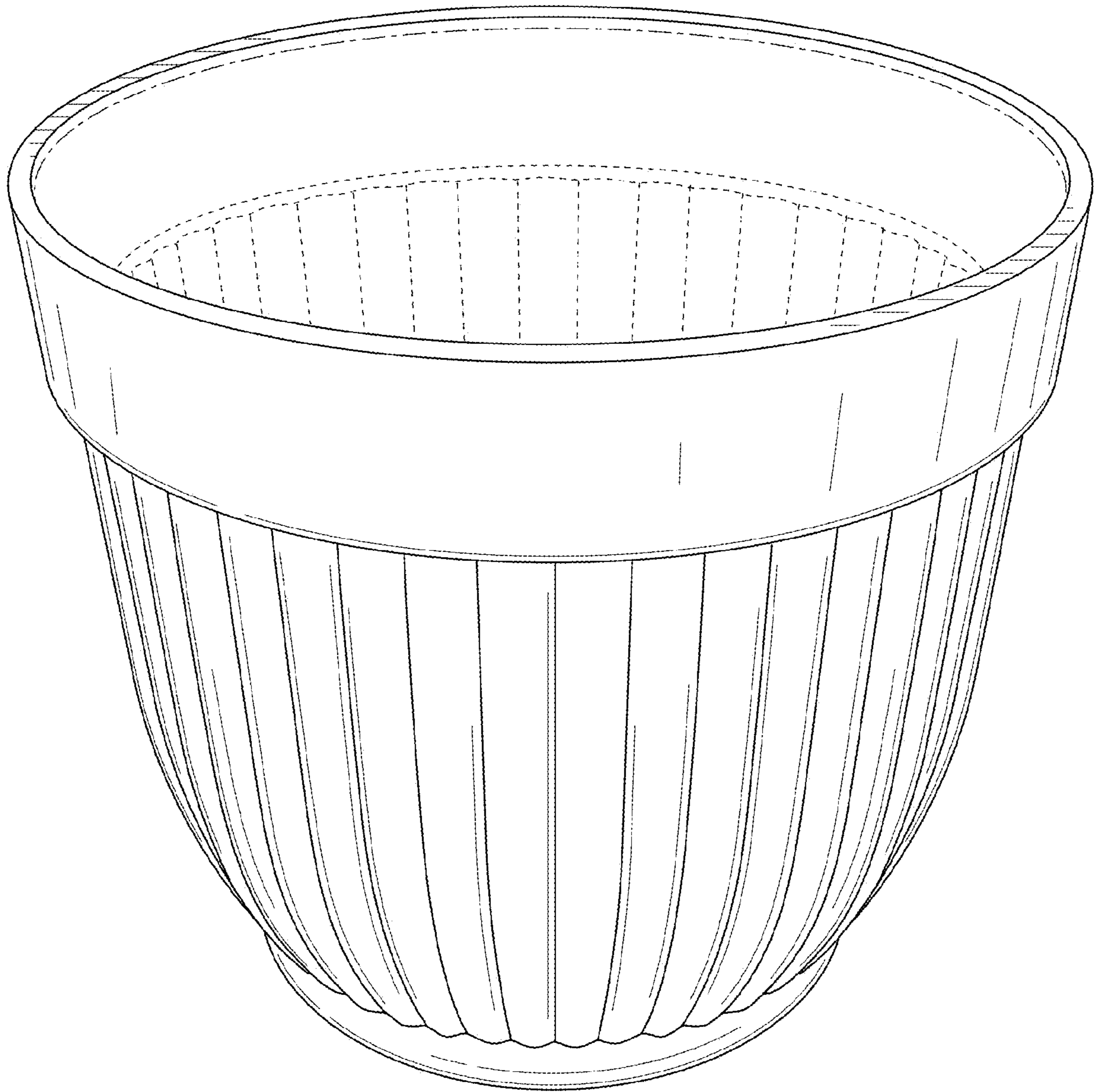


FIG. 1

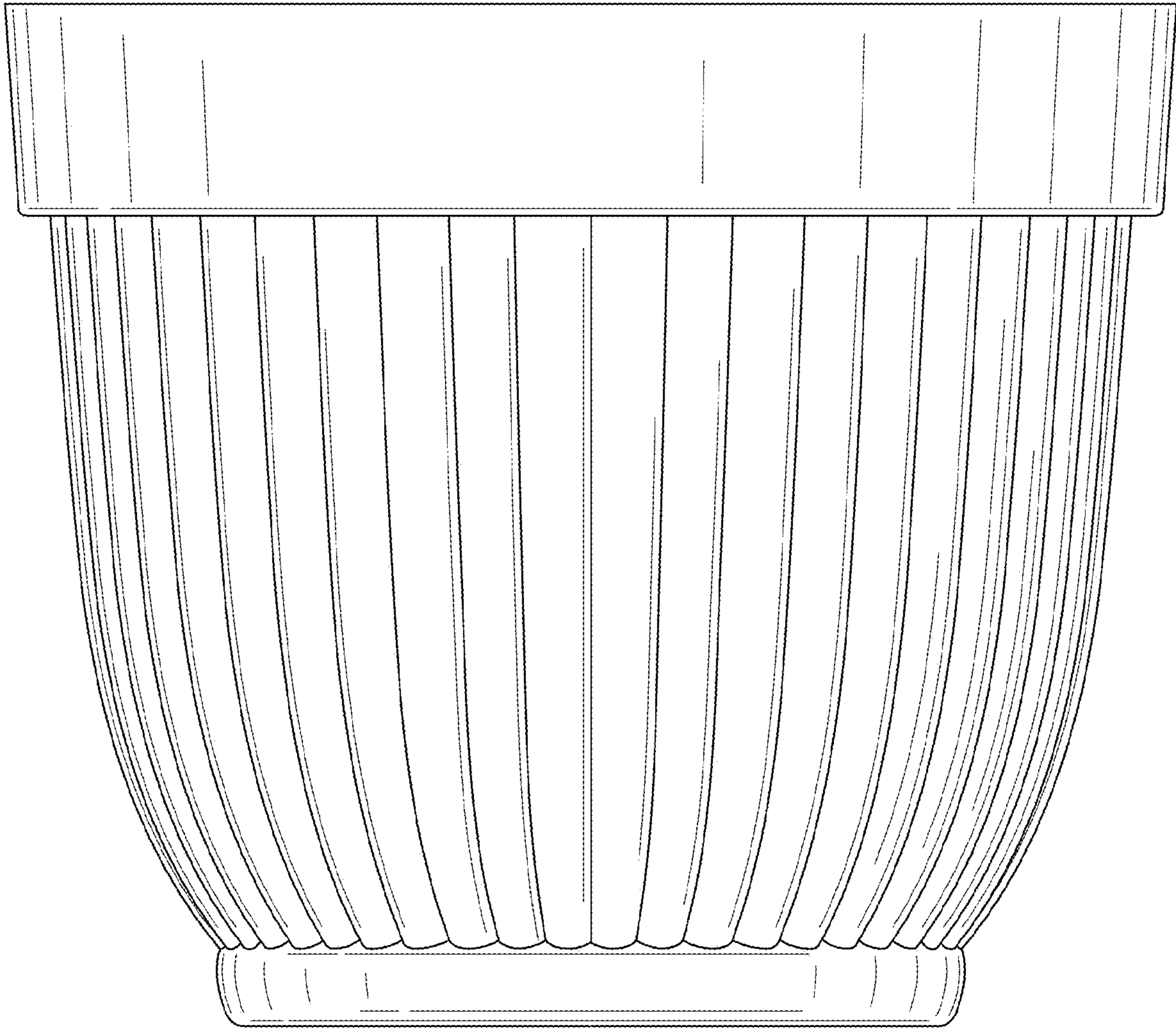


FIG. 2

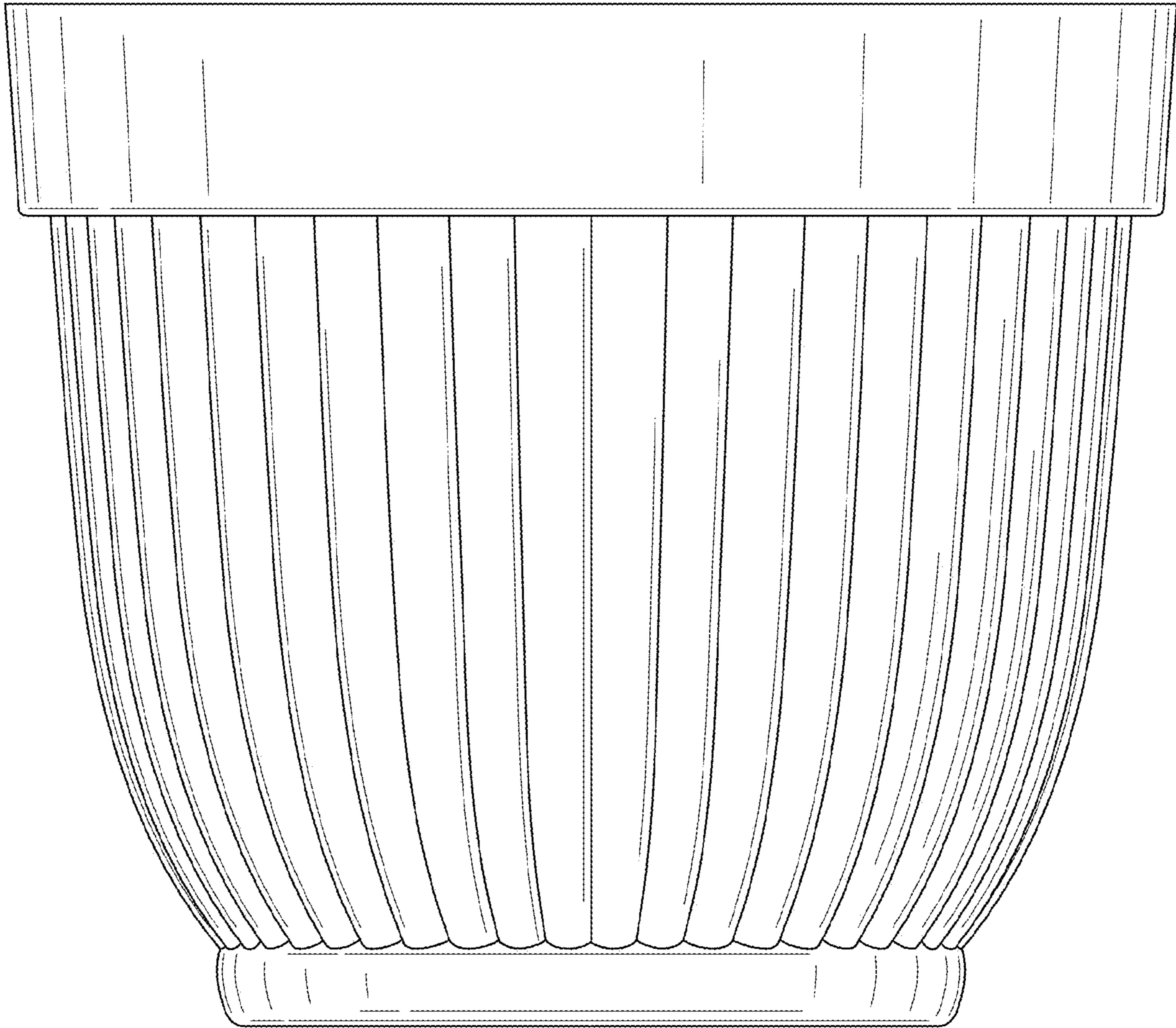


FIG. 3

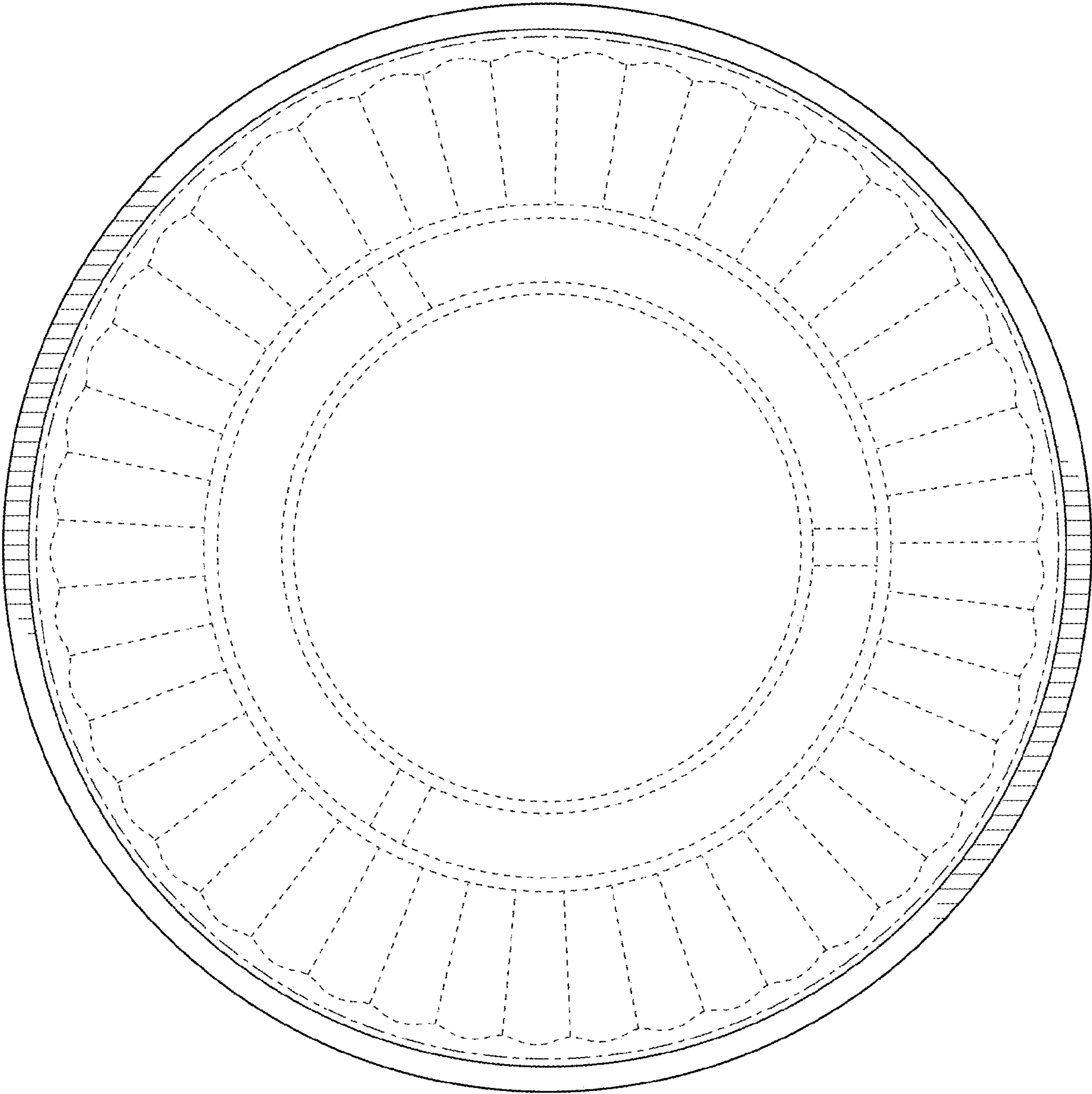


FIG. 4

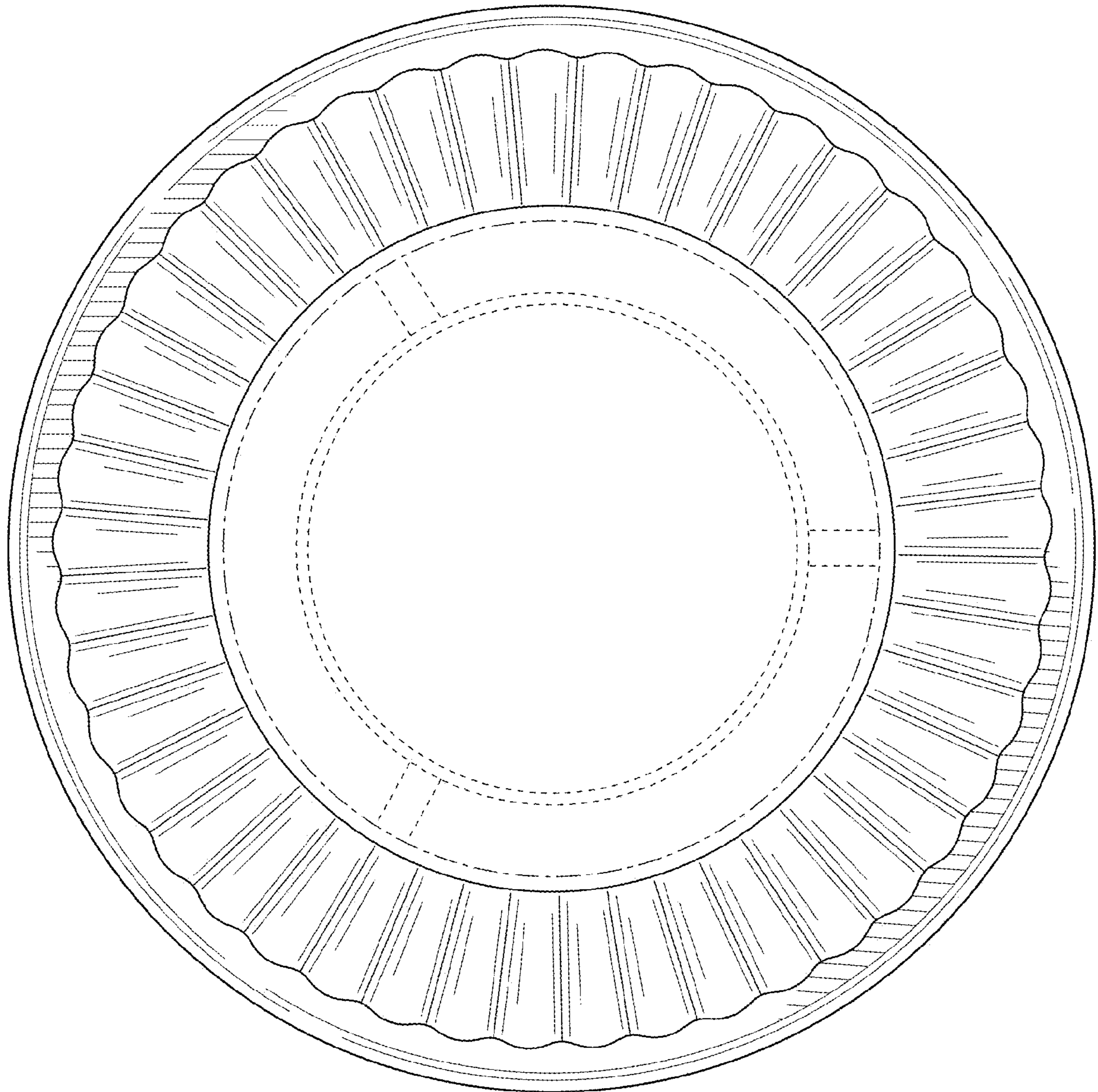


FIG. 5