



US00D926613S

(12) **United States Design Patent** (10) **Patent No.:** **US D926,613 S**  
**Chao et al.** (45) **Date of Patent:** **\*\* Aug. 3, 2021**

(54) **WATCH BAND**

(71) Applicants: **Zepp, Inc.**, Cupertino, CA (US); **Anhui Huami Information Technology Co., Ltd.**, Hefei (CN)

(72) Inventors: **Wei Po Chao**, Mountain View, CA (US); **Tao Huang**, Anhui (CN); **Xiaoyan Sun**, Anhui (CN)

(73) Assignees: **Zepp, Inc.**, Cupertino, CA (US); **Anhui Huami Information Technology Co., Ltd.**, Anhui FTZ (CN)

(\*\*) Term: **15 Years**

(21) Appl. No.: **29/701,968**

(22) Filed: **Aug. 15, 2019**

(51) **LOC (13) Cl.** ..... **11-01**

(52) **U.S. Cl.**  
USPC ..... **D11/3**

(58) **Field of Classification Search**  
USPC ..... D11/1-5; D10/31, 32; D14/344; D24/167

CPC ..... A44C 5/00; A44C 5/0007; A44C 5/0015; A44C 5/0023; A44C 5/003; A44C 5/0053; A44C 5/0084; A44C 15/0015  
See application file for complete search history.

(56) **References Cited**

**U.S. PATENT DOCUMENTS**

D820,713 S \* 6/2018 Oh ..... D11/3  
D827,640 S \* 9/2018 Andersson ..... D14/344  
D836,466 S \* 12/2018 Shi ..... D10/32  
D837,206 S \* 1/2019 Guan ..... D14/344  
D854,960 S \* 7/2019 Yu ..... D11/3  
D874,298 S \* 2/2020 Xie ..... D10/32

D874,311 S \* 2/2020 Connor ..... D11/3  
D879,645 S \* 3/2020 Lin ..... D11/3  
D886,097 S \* 6/2020 Choplin ..... D14/344  
D901,493 S \* 11/2020 Gao ..... D14/344

\* cited by examiner

*Primary Examiner* — Llorellys Martinez

(74) *Attorney, Agent, or Firm* — Young Basile Hanlon & MacFarlane, P.C.

(57) **CLAIM**

The ornamental design for a watch band, as shown and described.

**DESCRIPTION**

FIG. 1 is a top, front and right perspective view of a watch band showing our new design.

FIG. 2 is a front view of the watch band of FIG. 1.

FIG. 3 is a rear view of the watch band of FIG. 1.

FIG. 4 is a left side view of the watch band of FIG. 1.

FIG. 5 is a right side view of the watch band of FIG. 1.

FIG. 6 is a top view of the watch band of FIG. 1.

FIG. 7 is a bottom view of the watch band of FIG. 1.

FIG. 8 is another top, front and right perspective view of the watch band of FIG. 1.

FIG. 9 is a front view of the watch band of FIG. 8.

FIG. 10 is a rear view of the watch band of FIG. 8.

FIG. 11 is a left side view of the watch band of FIG. 8.

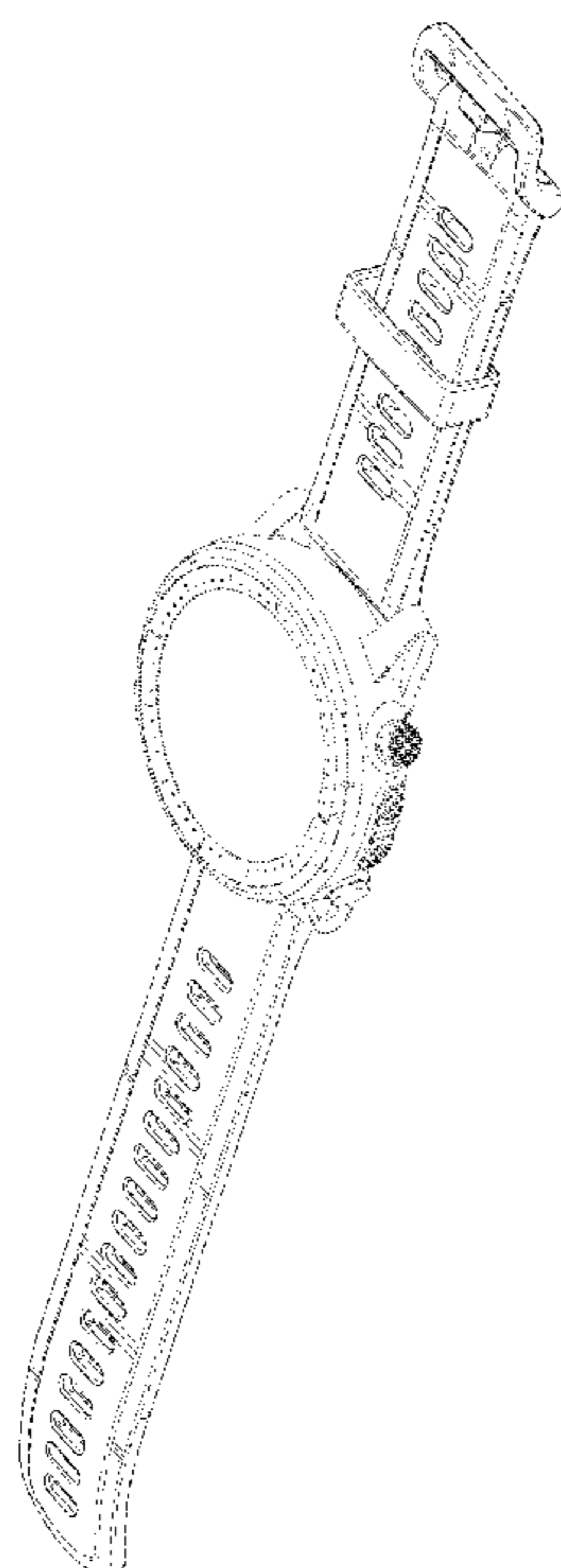
FIG. 12 is a right side view of the watch band of FIG. 8.

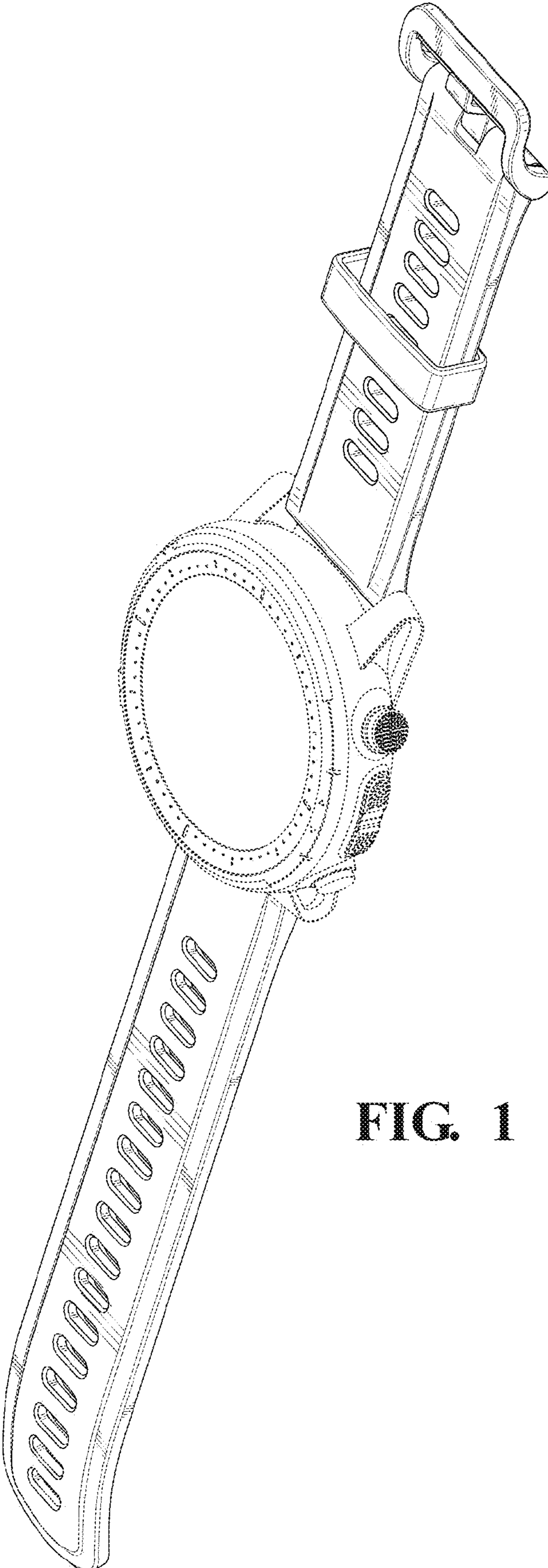
FIG. 13 is a top view of the watch band of FIG. 8; and,

FIG. 14 is a bottom view of the watch band of FIG. 8.

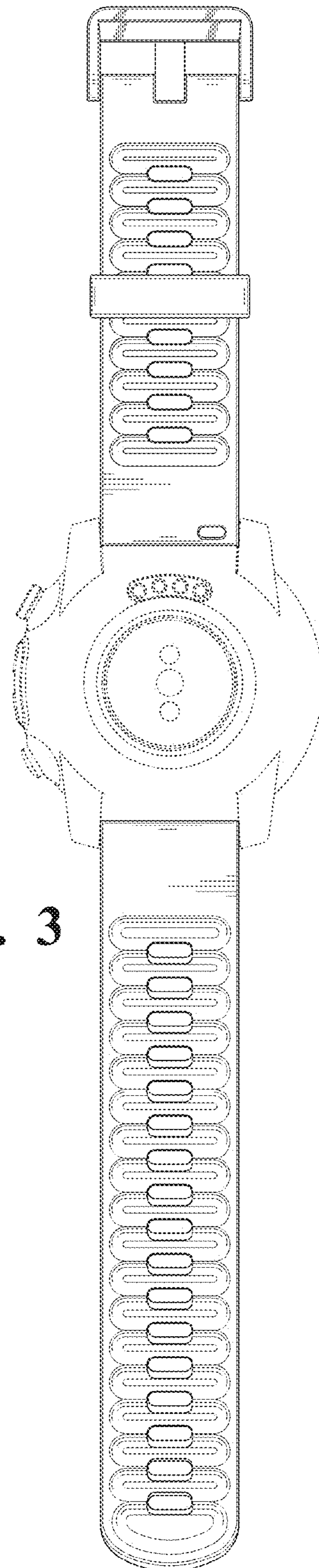
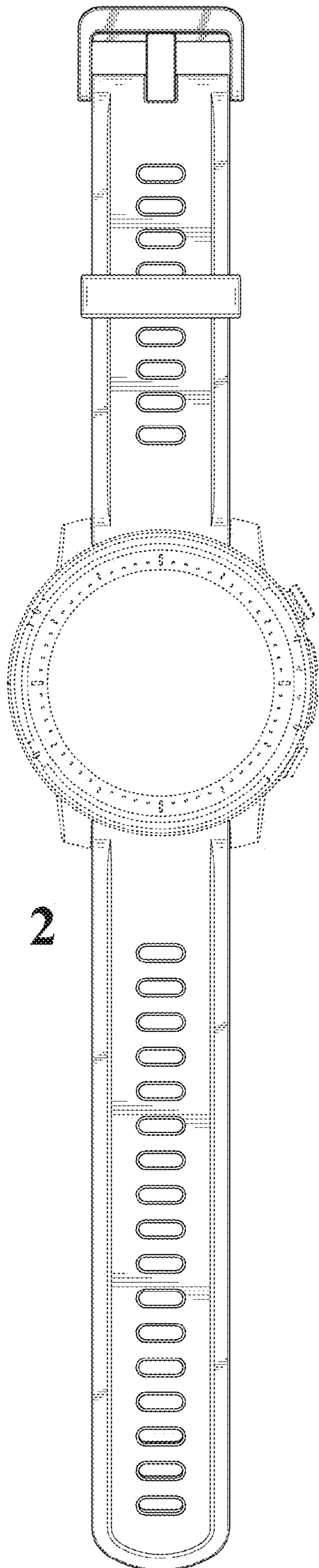
The broken lines in FIGS. 1-7 represent environmental subject matter only and form no part of the claimed design.

**1 Claim, 8 Drawing Sheets**





**FIG. 1**



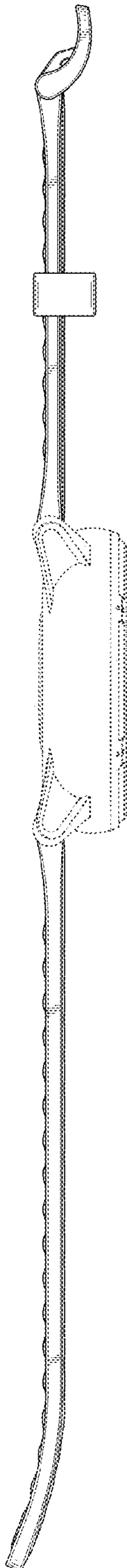


FIG. 4

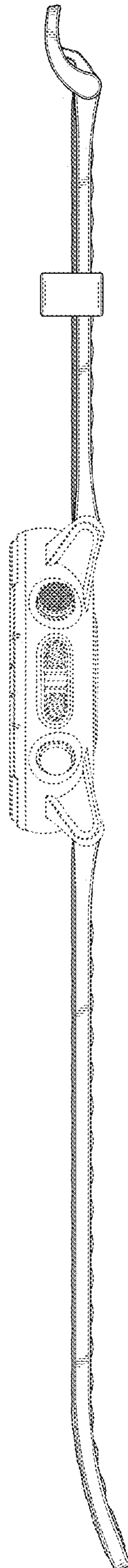
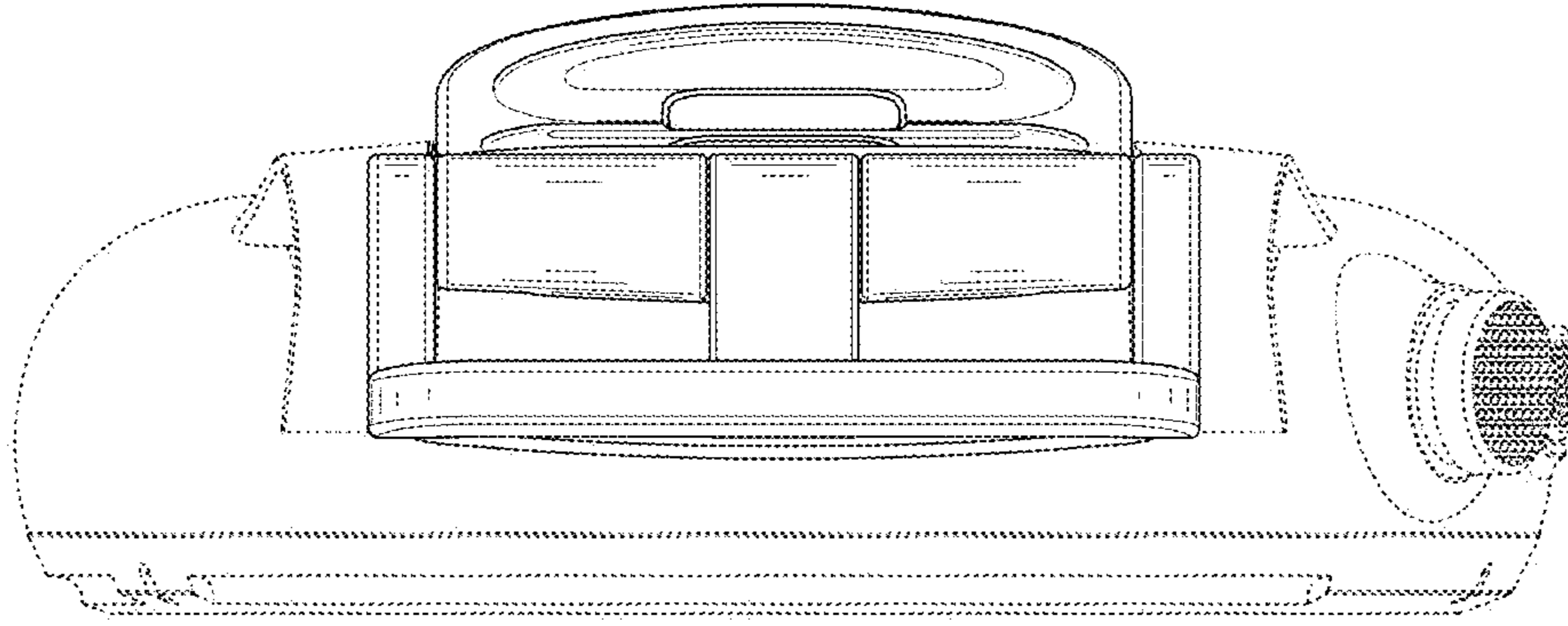
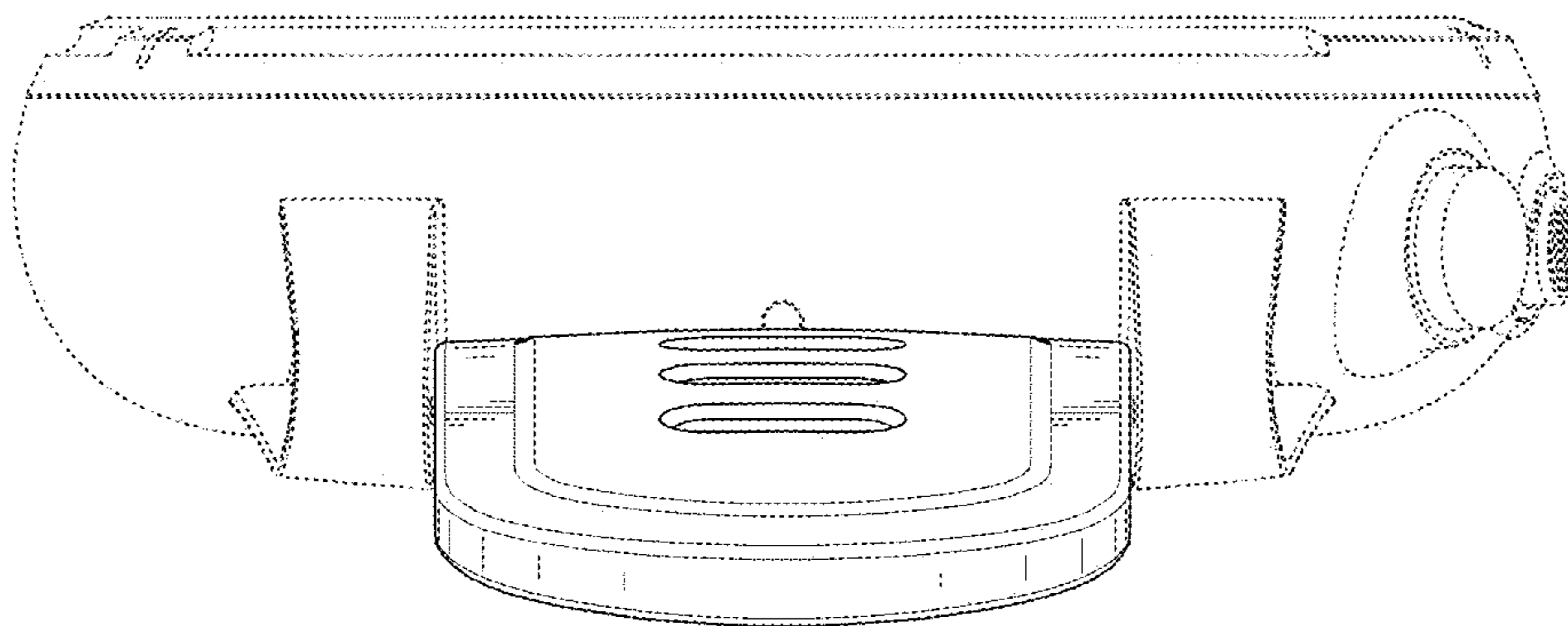


FIG. 5



**FIG. 6**



**FIG. 7**

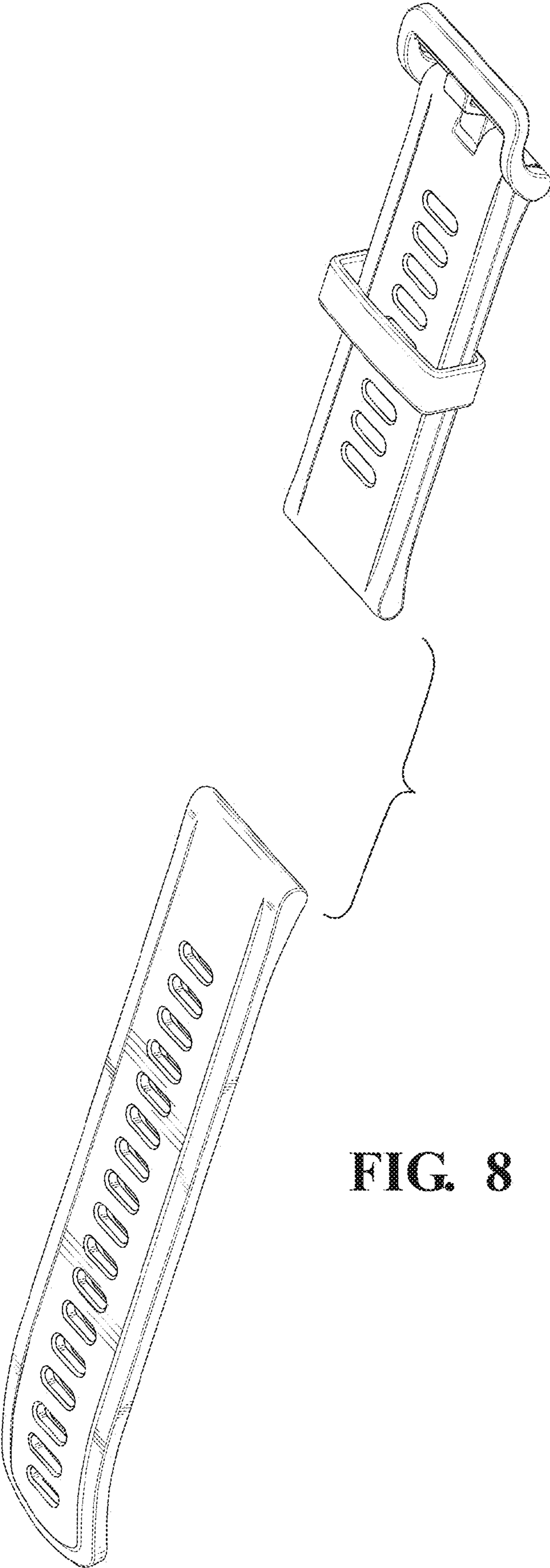


FIG. 8

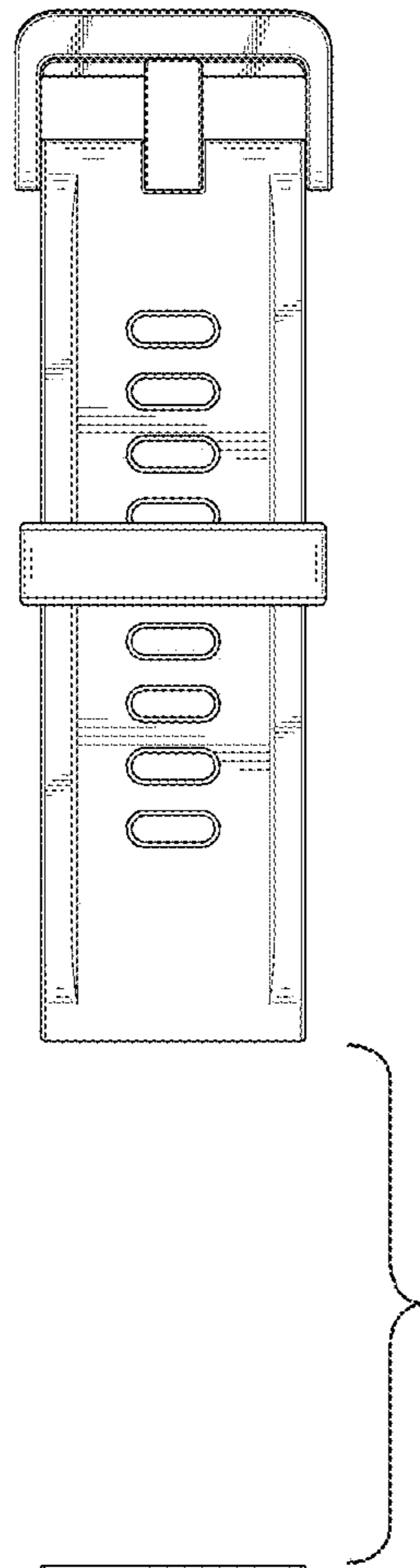


FIG. 9

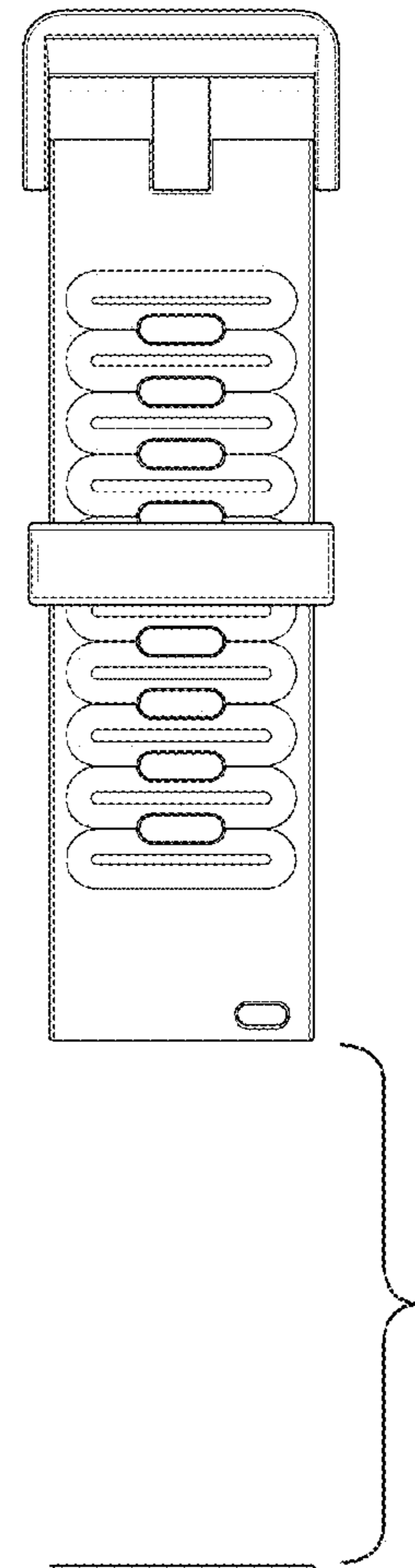
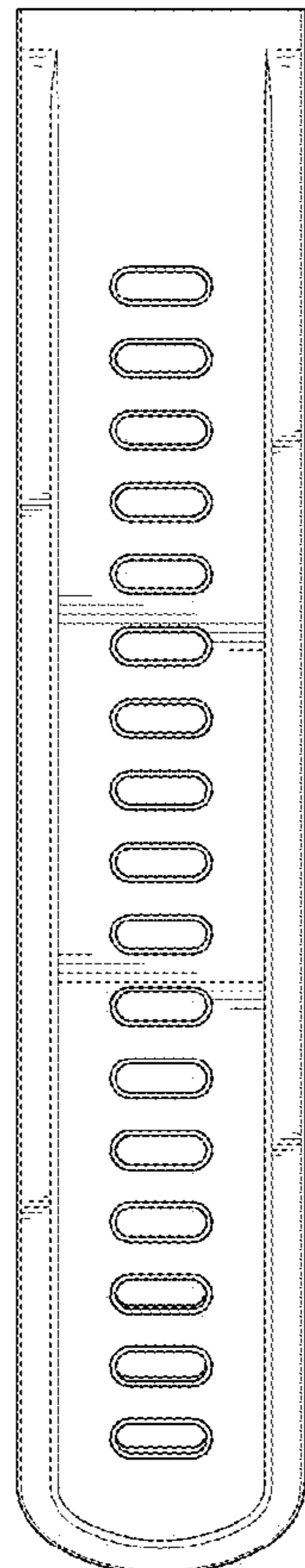
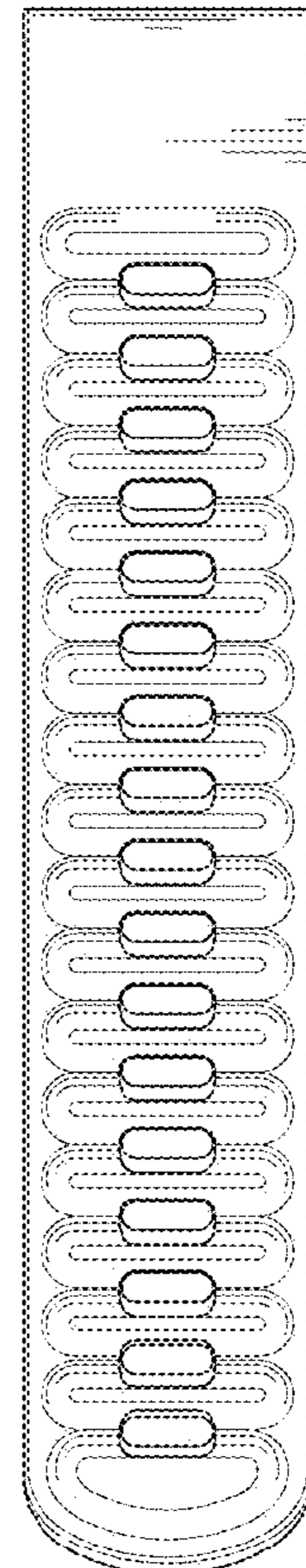


FIG. 10



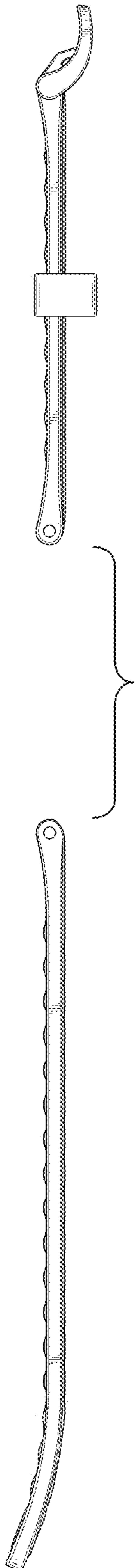


FIG. 11

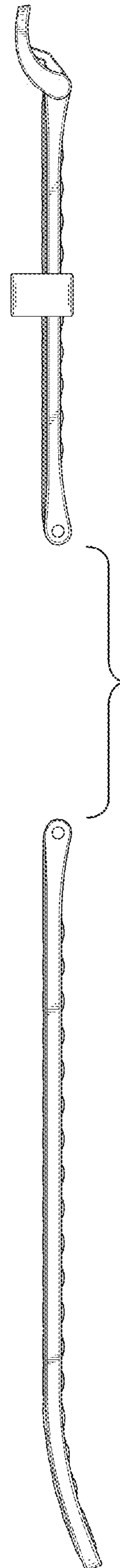
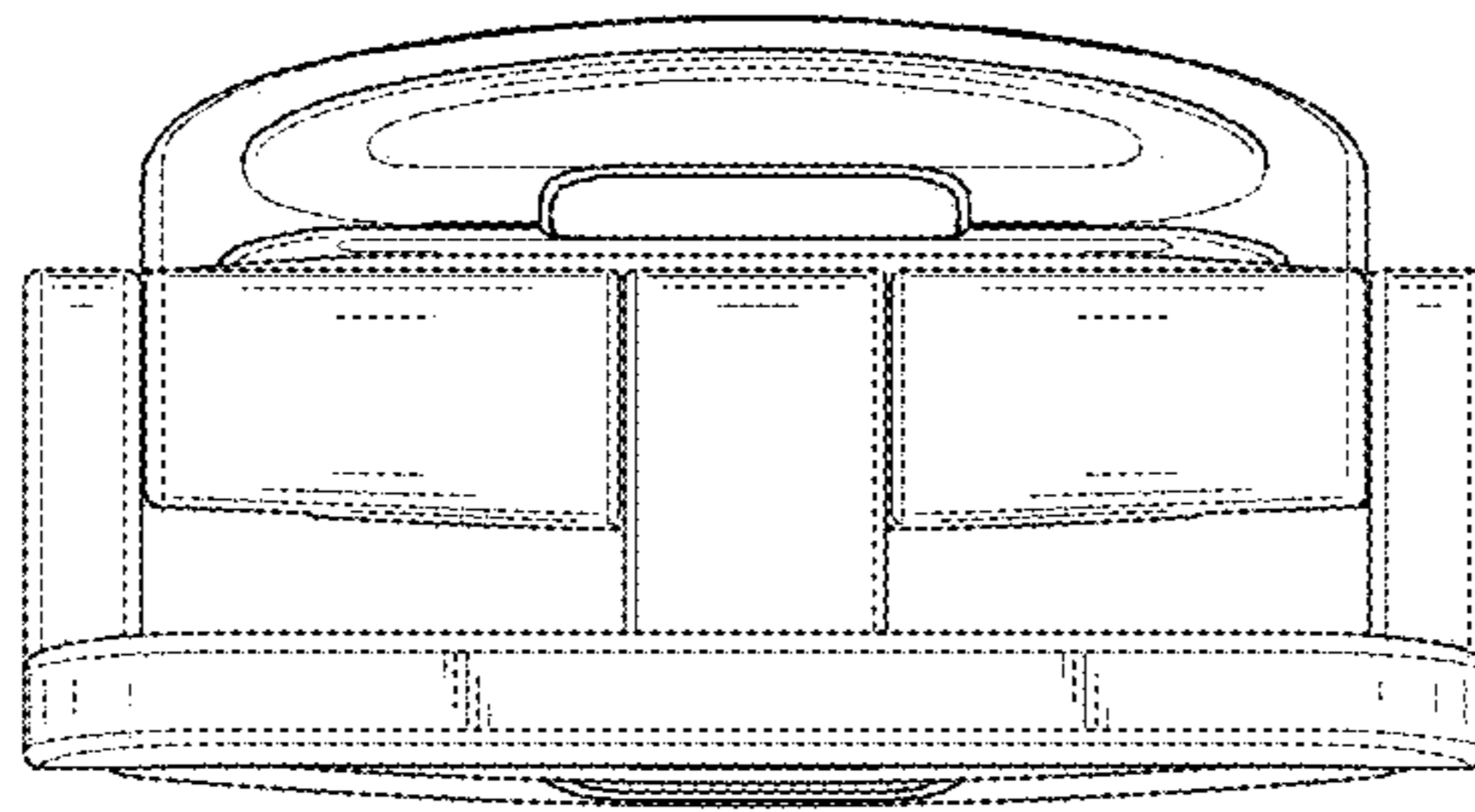
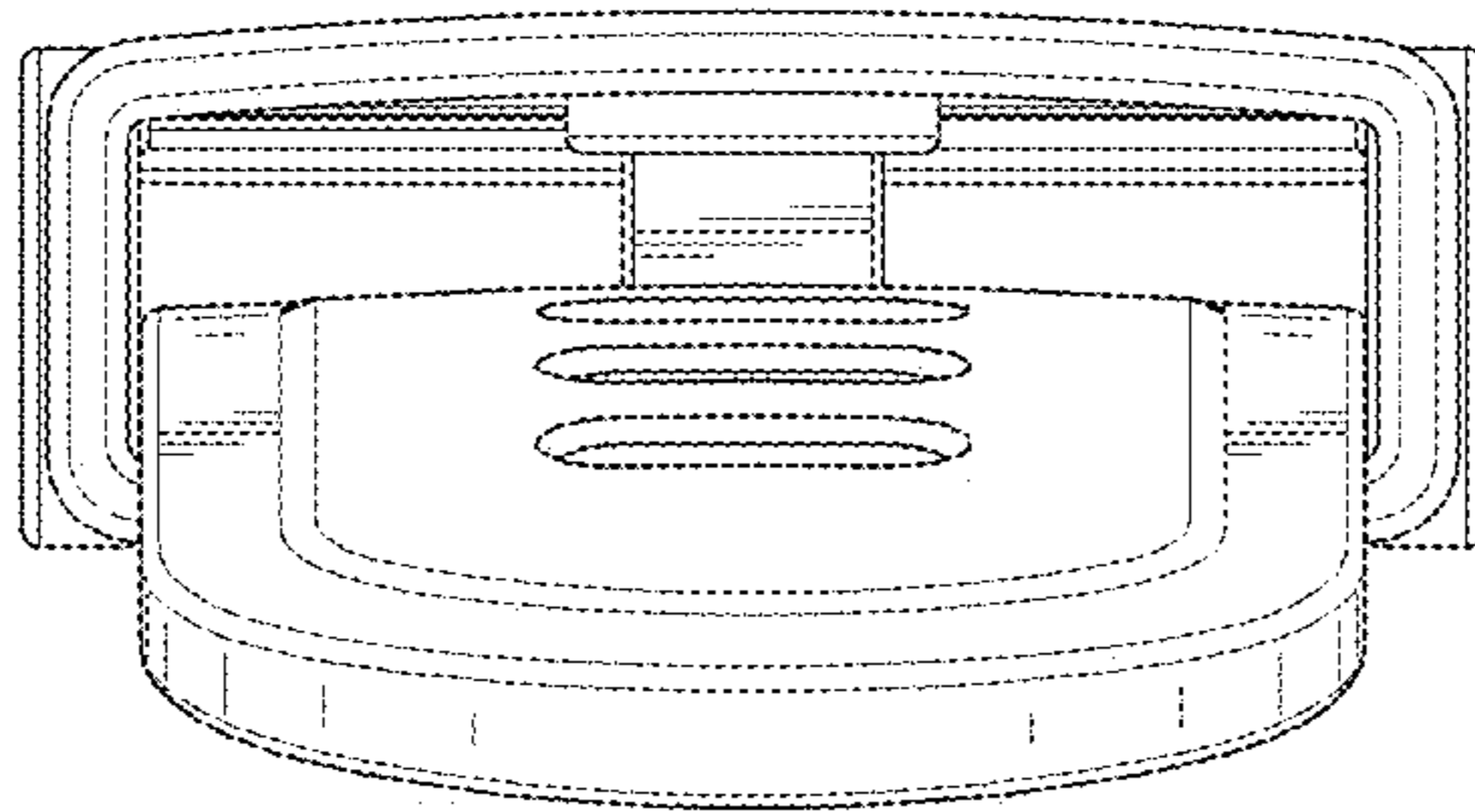


FIG. 12





**FIG. 13**



**FIG. 14**