



US00D926612S

(12) **United States Design Patent**
Yepez-Patterson

(10) **Patent No.:** **US D926,612 S**

(45) **Date of Patent:** **** Aug. 3, 2021**

(54) **DIFFUSER RING**

(71) Applicant: **Jesse Yepez-Patterson**, Elk Grove, CA (US)

(72) Inventor: **Jesse Yepez-Patterson**, Elk Grove, CA (US)

(73) Assignee: **Jesse Yepez-Patterson**, Elk Grove, CA (US)

(**) Term: **15 Years**

(21) Appl. No.: **29/644,219**

(22) Filed: **Apr. 16, 2018**

(51) **LOC (13) Cl.** **11-01**

(52) **U.S. Cl.**
USPC **D11/2; D24/106**

(58) **Field of Classification Search**
USPC D24/135, 164, 187, 200, 106;
D11/26-39, 2, 3, 4, 1
CPC A44C 9/00; A44C 9/0007; A44C 9/0015;
A44C 9/0023; A44C 9/003; A44C
9/0038; A44C 9/0046; A44C 9/0053;
A44C 9/0061; A44C 9/0076; A44C
9/0084; A44C 9/0092; A44C 9/02; A44C
15/0015; A44C 15/002; A62B 9/06; A61F
5/08; A61F 5/56; A51H 39/04; A61M
29/00

See application file for complete search history.

(56) **References Cited**

U.S. PATENT DOCUMENTS

- 247,300 A * 9/1881 Hyron A44C 5/0092
63/11
- 1,056,255 A 3/1913 Cadman
- 1,256,188 A 2/1918 Wilson
- 1,579,486 A 4/1926 Pletcher
- 2,010,485 A 8/1935 Heath
- D137,091 S * 1/1944 Smith D24/106
- 2,672,138 A 3/1954 Carlock
- 3,463,149 A 8/1969 Albu

- 3,747,597 A 7/1973 Olivera
- 3,828,577 A 8/1974 Haynes
- 3,905,335 A 9/1975 Kapp
- 4,056,951 A 11/1977 Black
- 4,265,236 A 5/1981 Pacella
- 4,267,831 A 5/1981 Aguilar

(Continued)

FOREIGN PATENT DOCUMENTS

IN 2014CH00199 1/2014

OTHER PUBLICATIONS

[Online] <https://honeoils.com/collections/frontpage/products/peppermint-scent-blue>. Retrieved Mar. 26, 2021.*

Primary Examiner — Melanie Pellegrini

(74) *Attorney, Agent, or Firm* — Alston & Bird

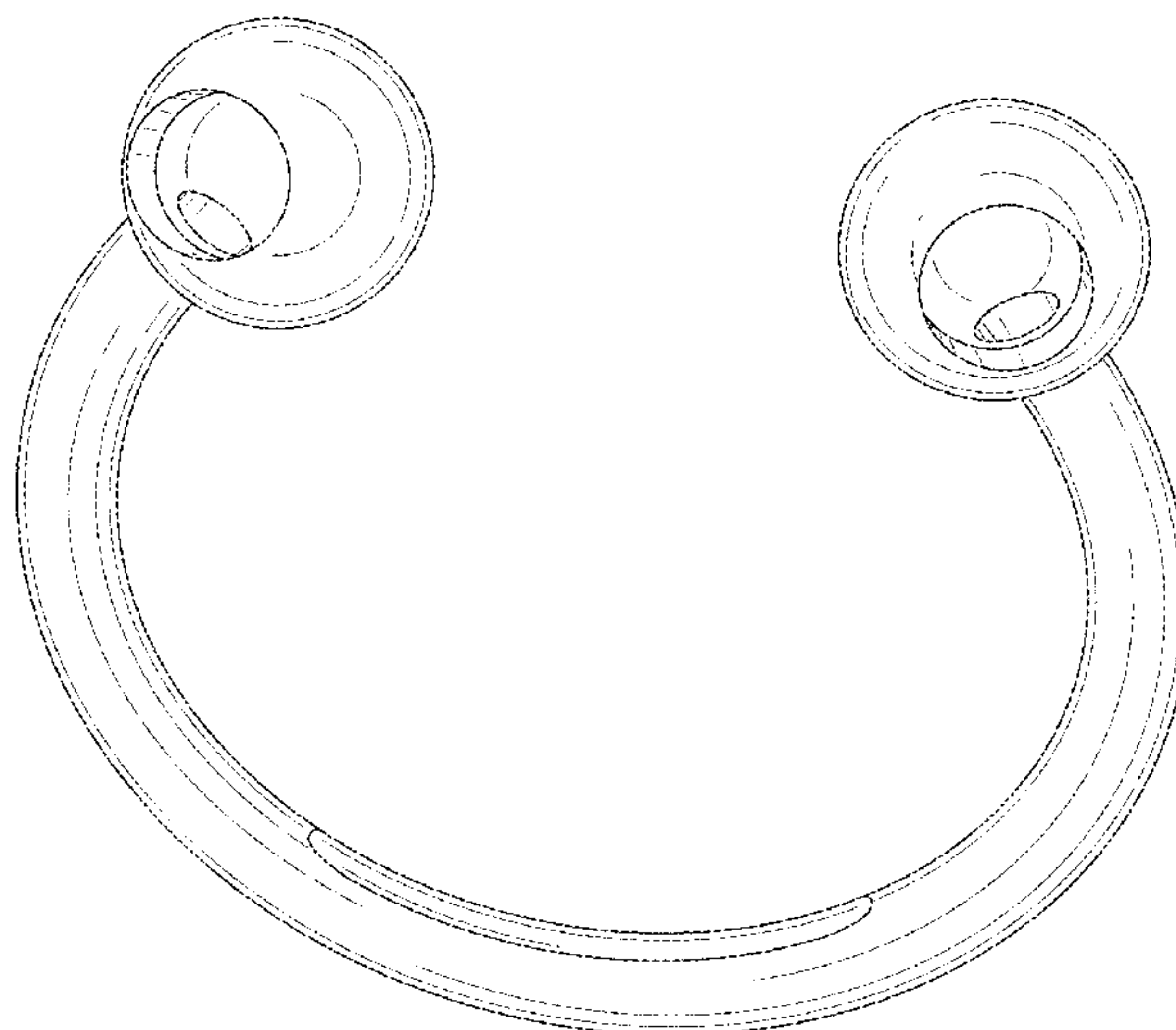
(57) **CLAIM**

The ornamental design for a diffuser ring, as shown and described.

DESCRIPTION

FIG. 1 is a perspective view of a diffuser ring according to my new design;
 FIG. 2 is a front elevation view thereof;
 FIG. 3 is a rear elevation view thereof;
 FIG. 4 is a right side elevation view thereof;
 FIG. 5 is a left side elevation view thereof;
 FIG. 6 is a top elevation view thereof;
 FIG. 7 is a bottom plan view thereof.
 FIG. 8 is a perspective view of a diffuser ring according to another embodiment of my new design;
 FIG. 9 is a front elevation view thereof;
 FIG. 10 is a rear elevation view thereof;
 FIG. 11 is a right side elevation view thereof;
 FIG. 12 is a left side elevation view thereof;
 FIG. 13 is a top elevation view thereof; and,
 FIG. 14 is a bottom plan view thereof.

1 Claim, 10 Drawing Sheets



(56)

References Cited

U.S. PATENT DOCUMENTS

D309,586 S *	7/1990	Ruscitti	D11/4	8,006,516 B2	8/2011	Ashton	
4,984,302 A	1/1991	Lincoln		8,240,309 B2	8/2012	Doshi et al.	
5,417,205 A	5/1995	Wang		D667,752 S *	9/2012	Leclerc	D11/202
5,706,800 A	1/1998	Cronk et al.		8,267,904 B2	9/2012	Hunt et al.	
5,804,264 A	9/1998	Bowen		8,408,211 B2	4/2013	DeJule	
6,015,425 A	1/2000	Altadonna		8,833,369 B2	9/2014	Dolezal et al.	
D422,236 S *	4/2000	Ruscitti	D11/4	D820,141 S *	6/2018	Korhammer	D11/4
D439,192 S *	3/2001	Ruscitti	D11/26	D874,640 S *	2/2020	Aboff	D24/106
6,295,982 B1	10/2001	Reed		2002/0153007 A1	10/2002	Davi	
D460,374 S *	7/2002	Park	D11/4	2003/0106556 A1	6/2003	Alperovich et al.	
6,494,204 B1	12/2002	Ponce		2004/0079814 A1	4/2004	Altadonna	
D472,838 S *	4/2003	Ziller	D11/1	2005/0051170 A1	3/2005	Koo	
6,561,188 B1	5/2003	Ellis		2005/0199245 A1	9/2005	Brennan	
6,645,172 B1	11/2003	Guret		2006/0150980 A1	7/2006	Kim	
6,701,924 B1	3/2004	Land et al.		2006/0260613 A1	11/2006	Pinter	
7,108,198 B2	9/2006	Altadonna		2007/0062538 A1	3/2007	Foggia et al.	
D529,408 S *	10/2006	Park	D11/4	2007/0283963 A1	12/2007	Sims	
7,156,098 B2	1/2007	Dolezal et al.		2008/0087286 A1	4/2008	Jones	
7,156,099 B1	1/2007	Jenkins		2008/0092889 A1	4/2008	Tjia	
D544,100 S *	6/2007	Ansari	D24/188	2009/0062733 A1	3/2009	Shannon	
7,318,438 B2	1/2008	Brown		2009/0194107 A1	8/2009	Loeser et al.	
D605,464 S *	12/2009	McGuire	D11/40	2010/0147300 A1	6/2010	Lorenzati et al.	
				2013/0150658 A1	6/2013	Miledi	
				2013/0255680 A1	10/2013	Volgyesi	
				2019/0054263 A1 *	2/2019	Aboff	A61M 29/00

* cited by examiner

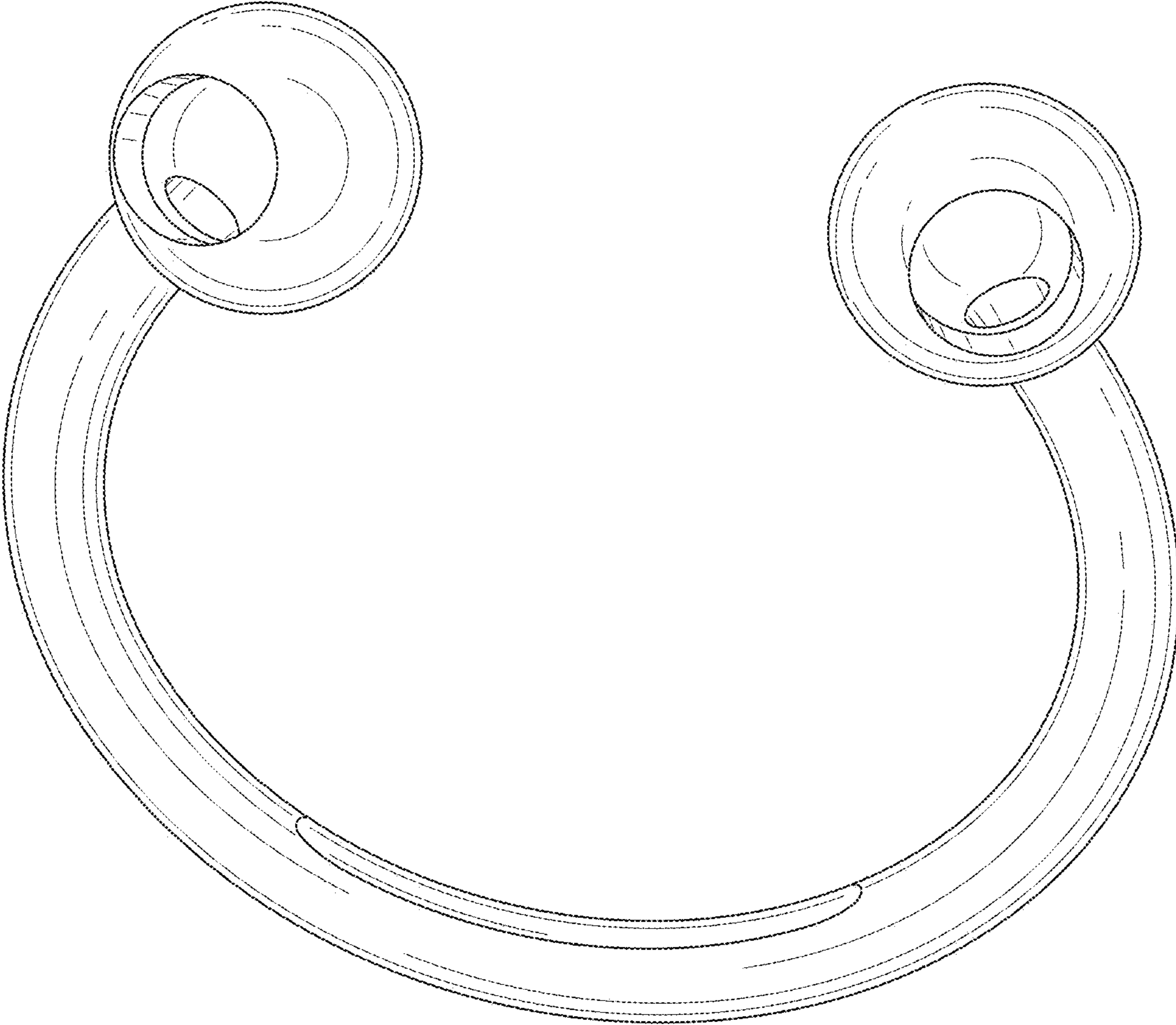


FIG. 1

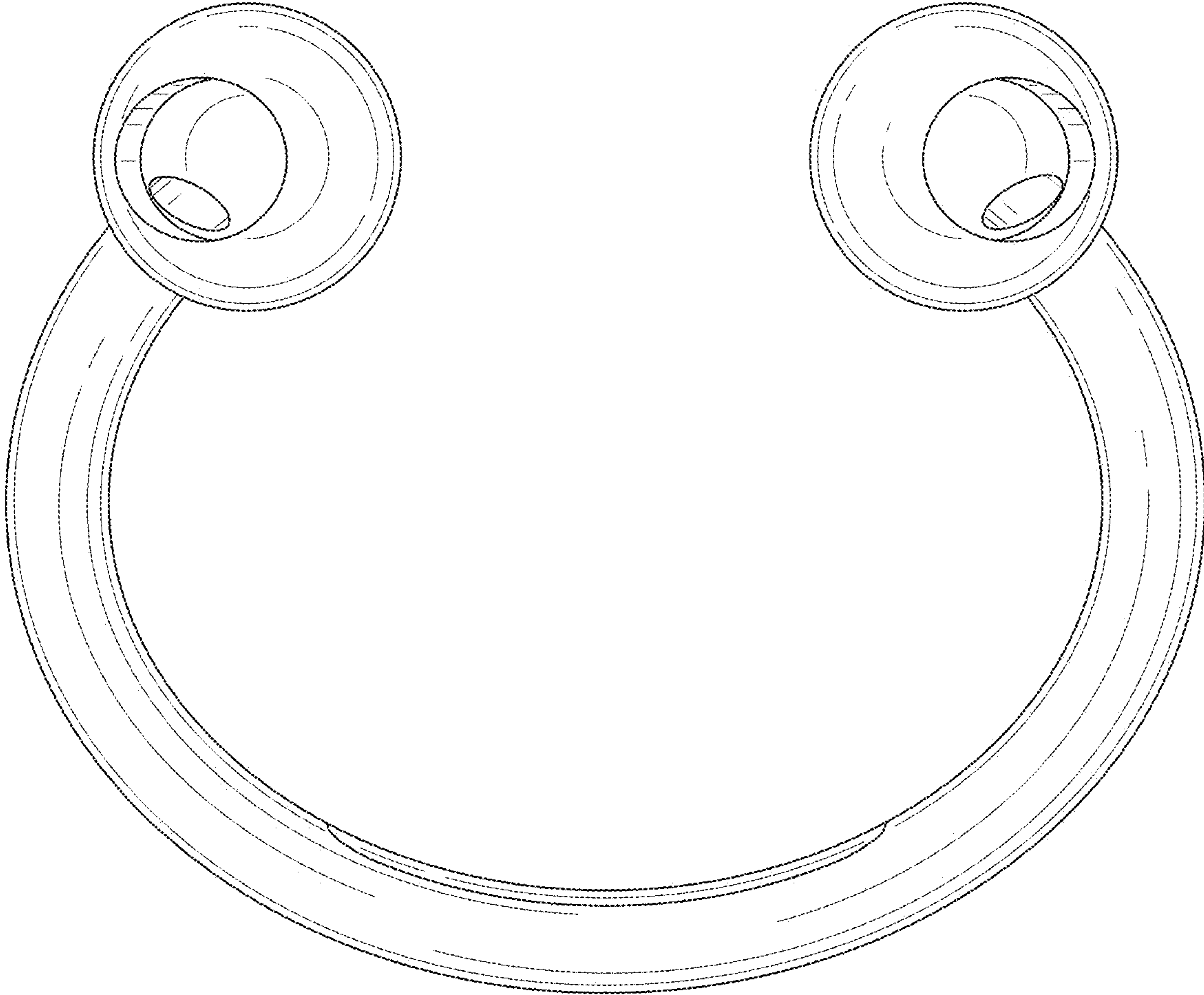


FIG. 2

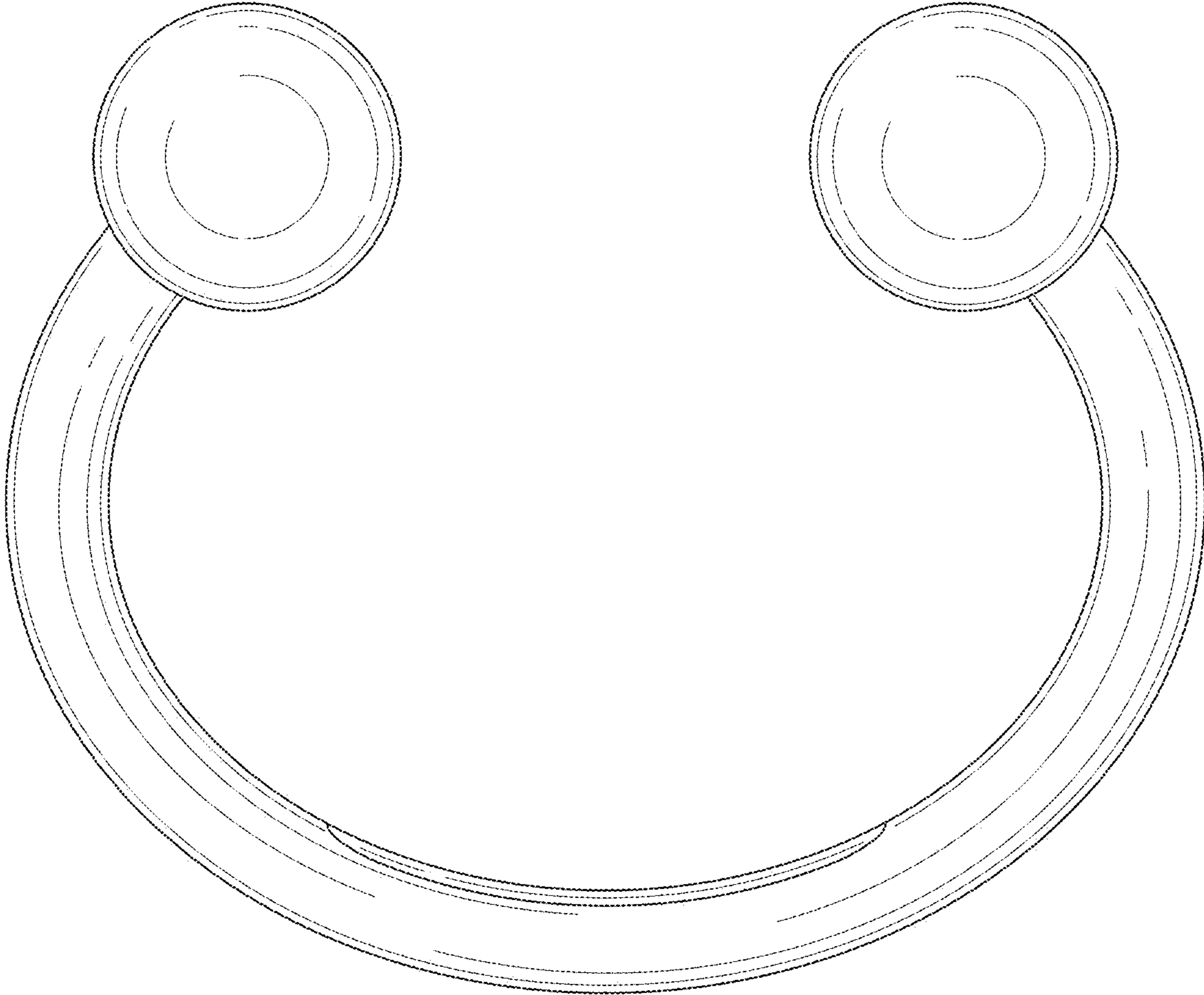


FIG. 3

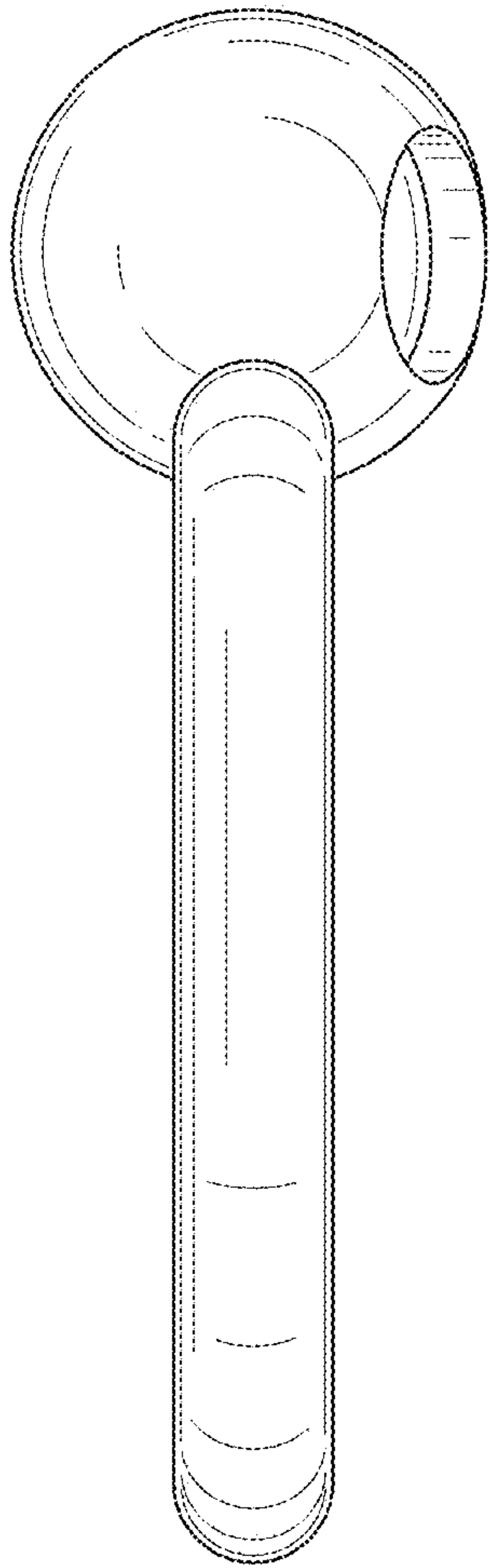


FIG. 4

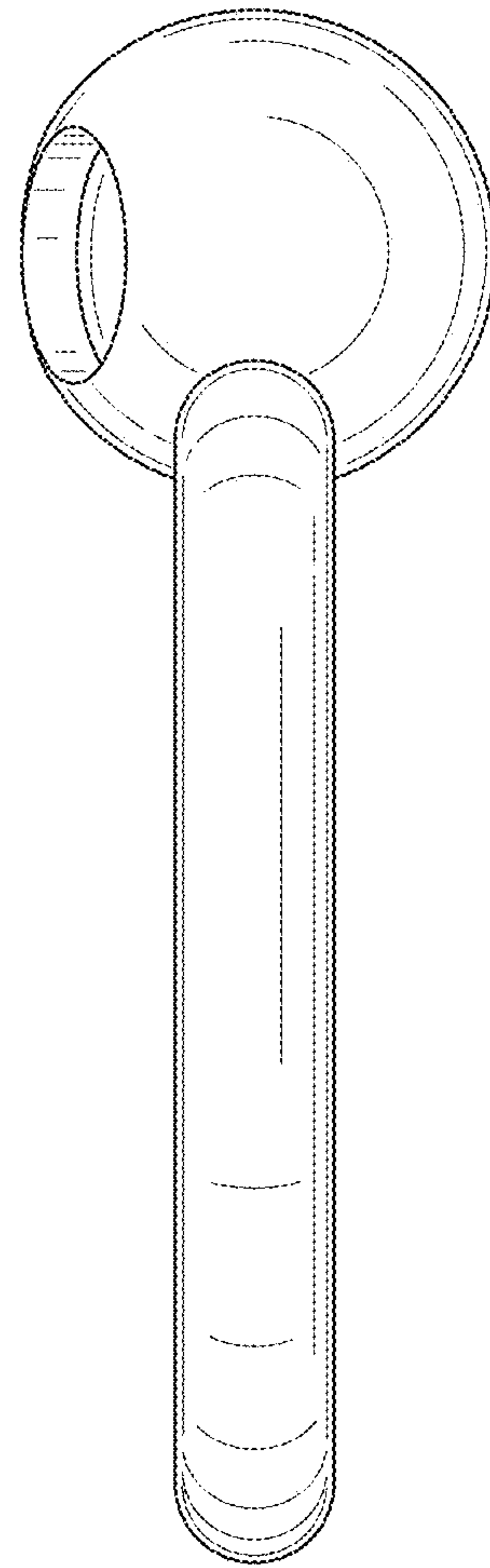


FIG. 5

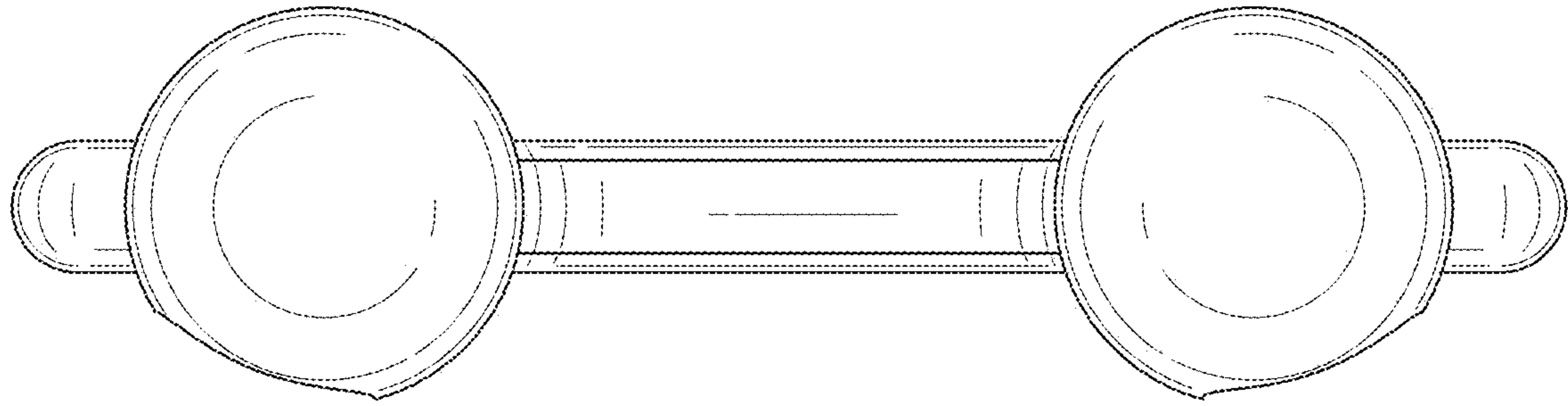


FIG. 6

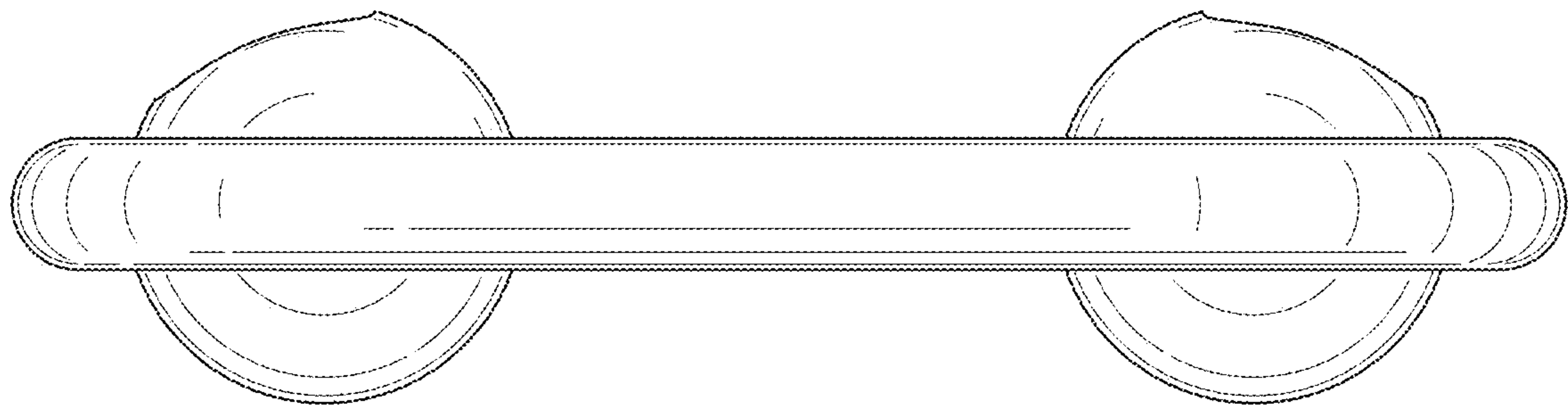


FIG. 7

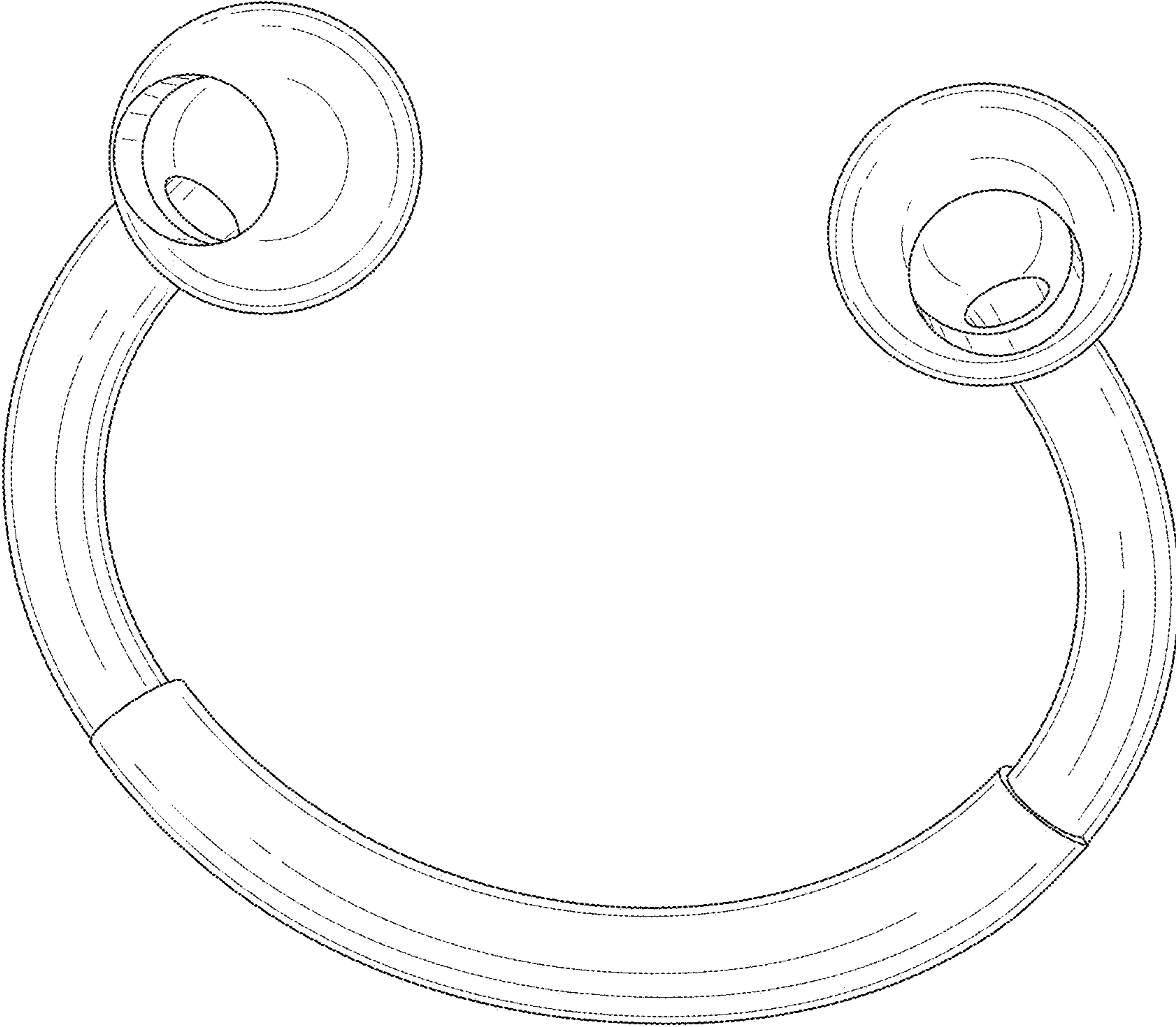


FIG. 8

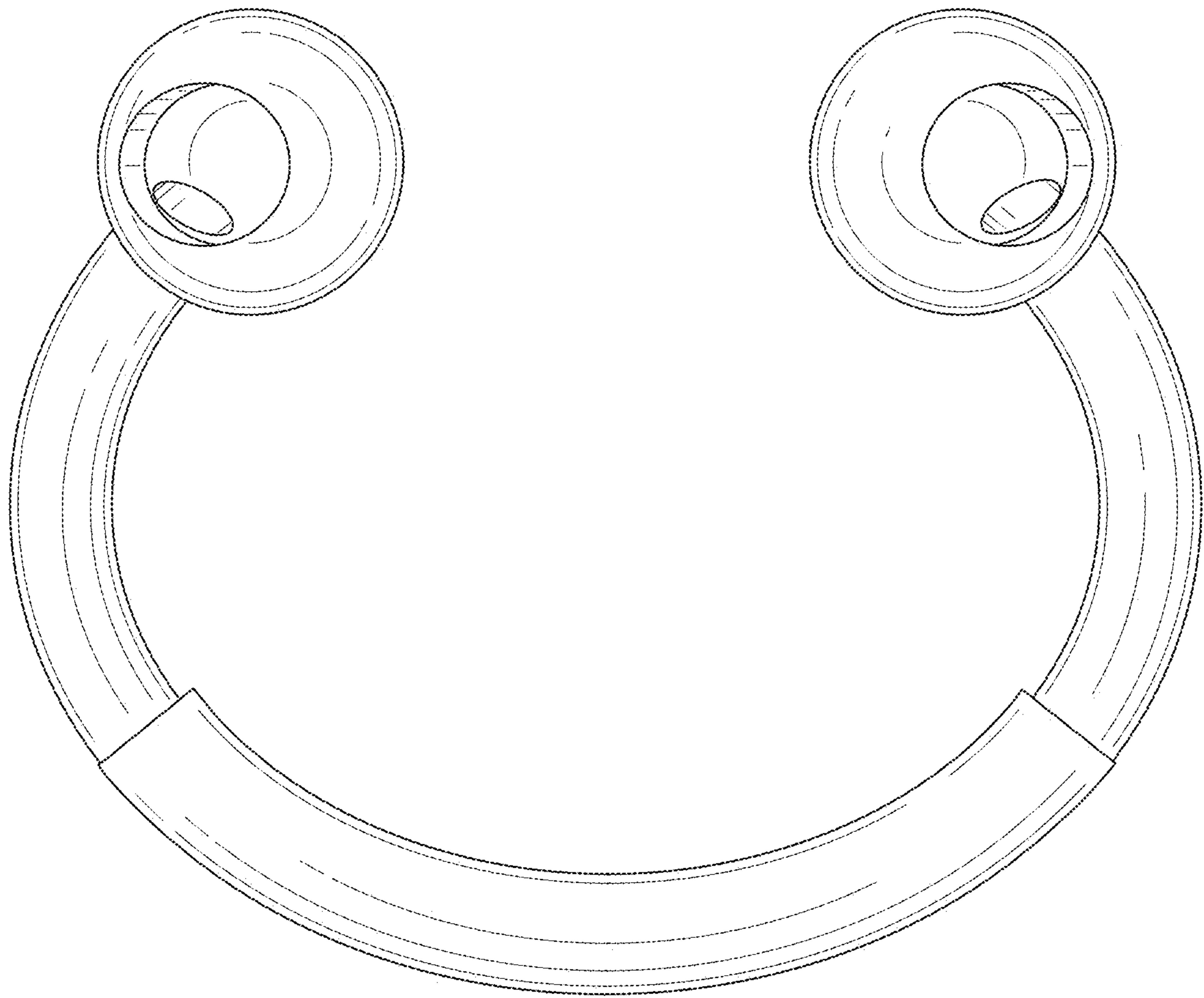


FIG. 9

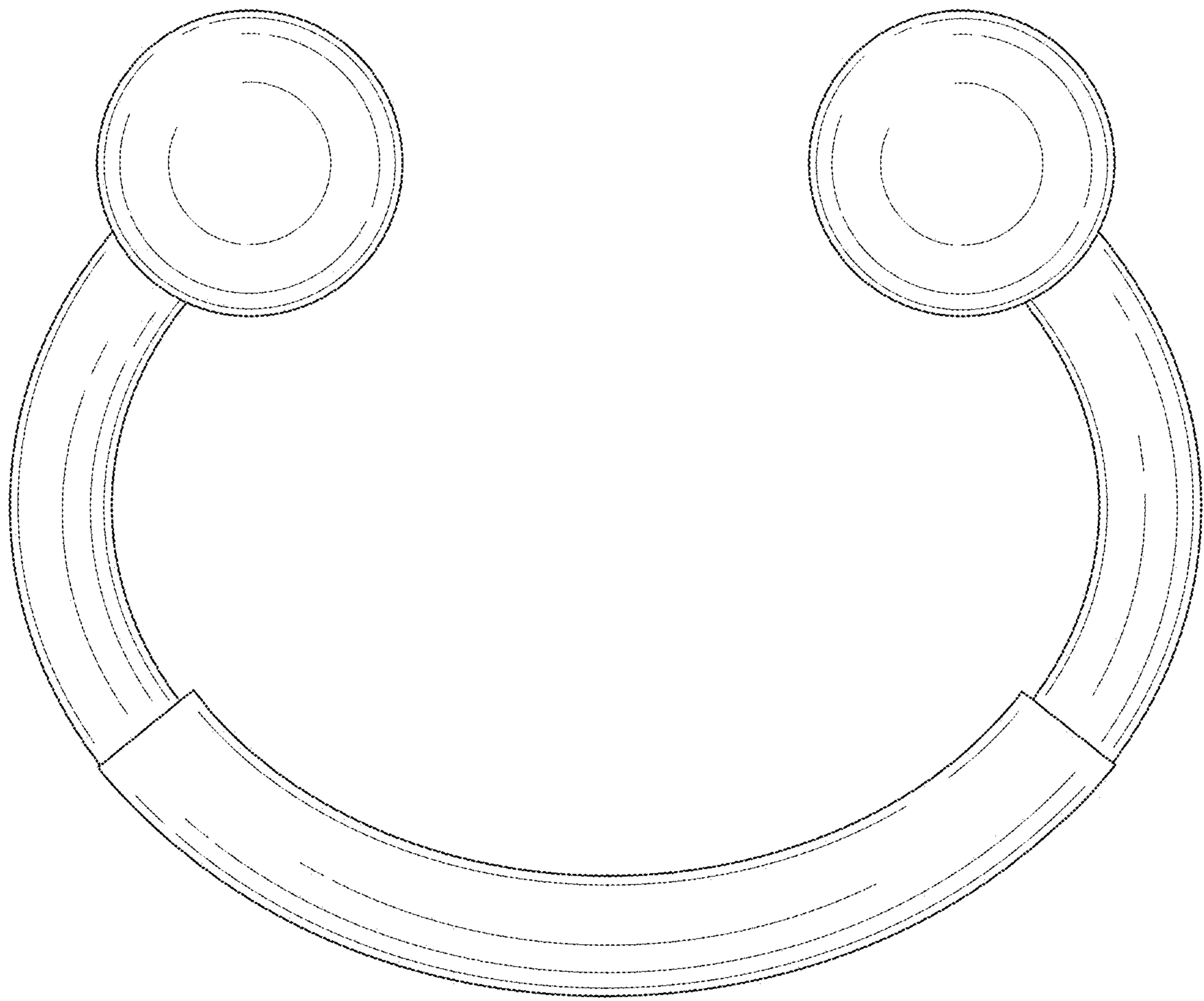


FIG. 10

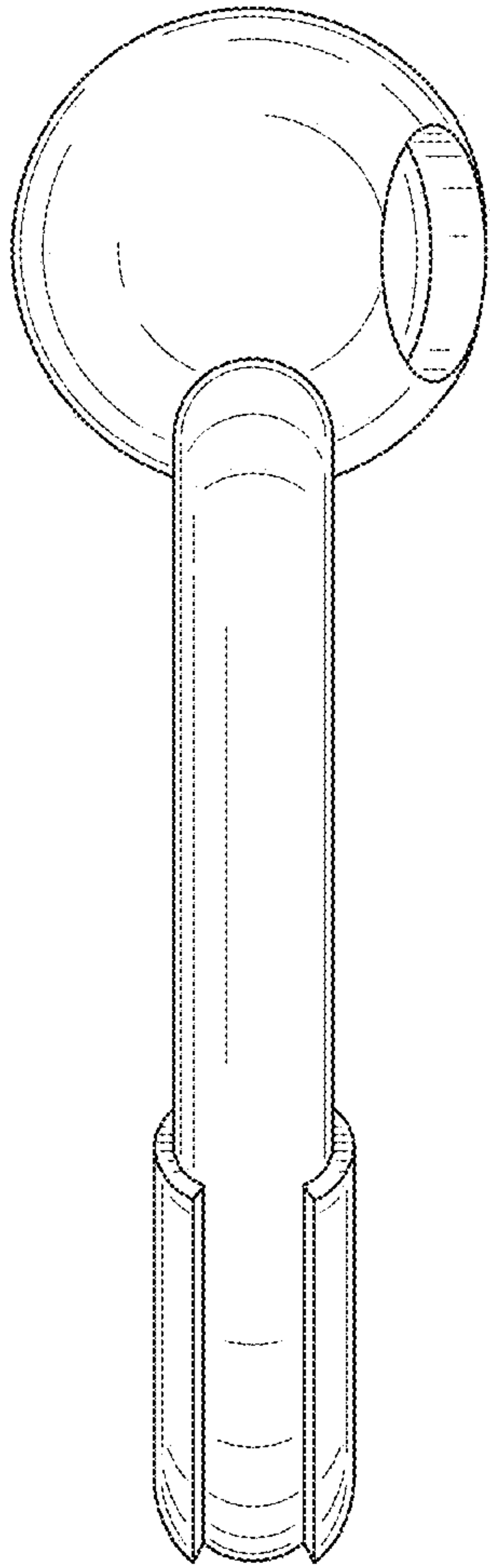


FIG. 11

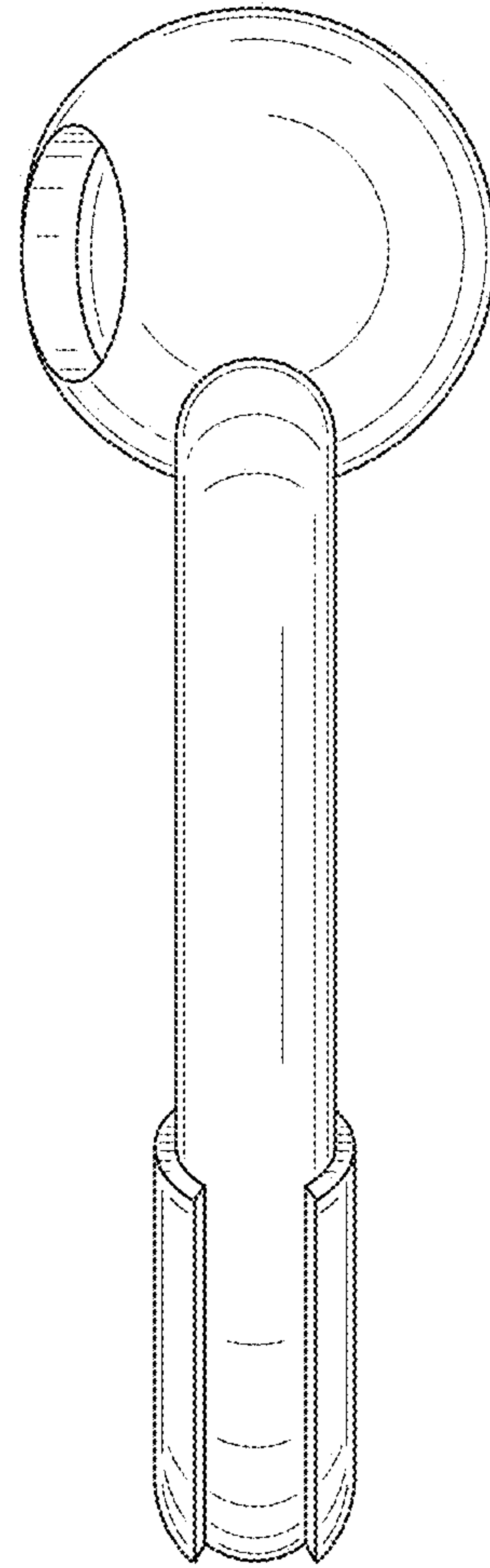


FIG. 12

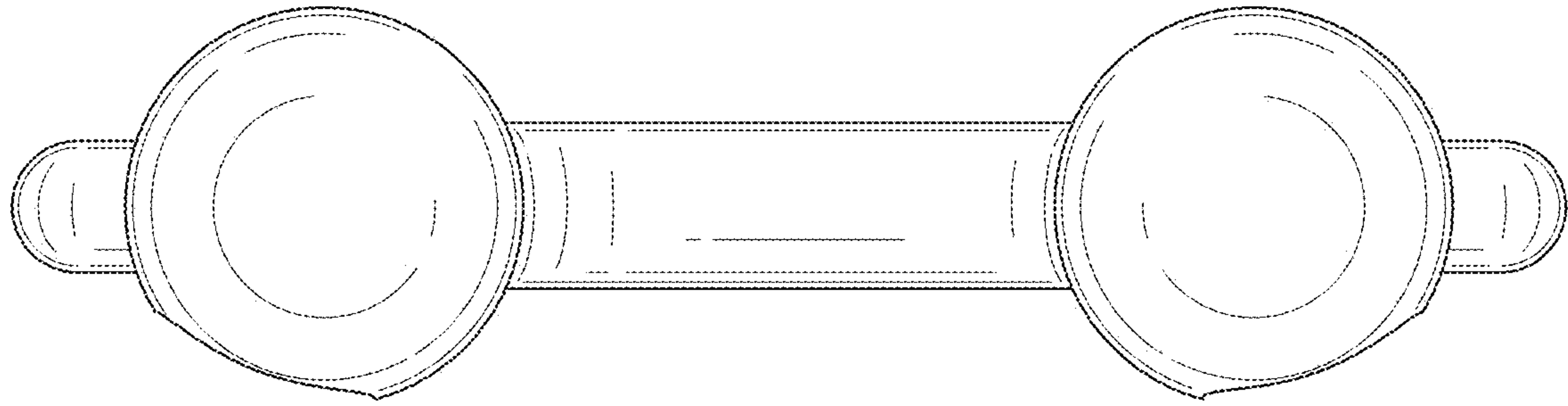


FIG. 13

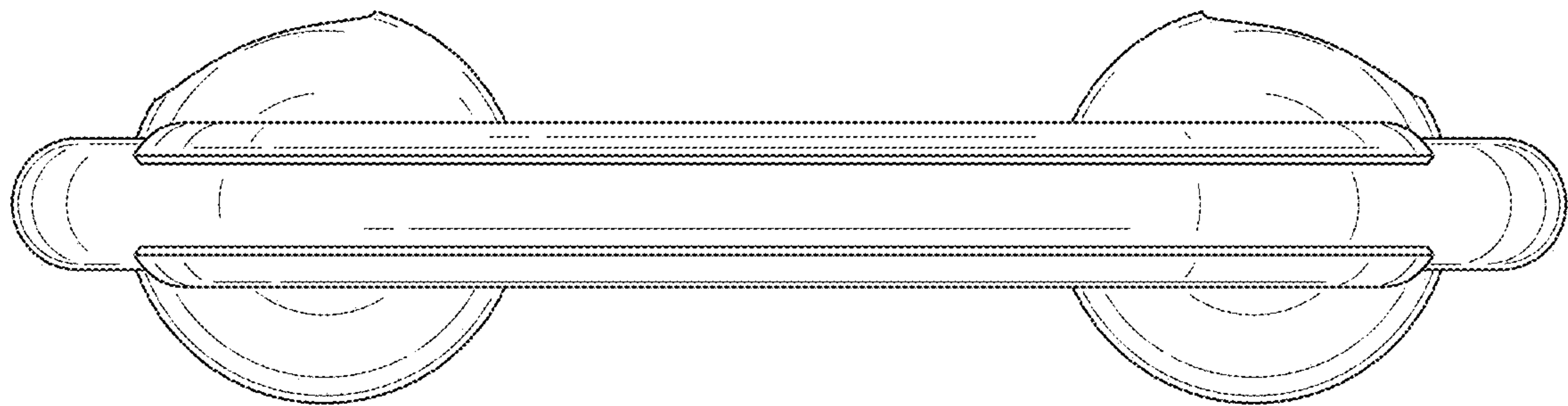


FIG. 14