



US00D926611S

(12) **United States Design Patent**
Hong

(10) **Patent No.:** **US D926,611 S**

(45) **Date of Patent:** **** Aug. 3, 2021**

(54) **ELECTRONIC SCALE**

(71) Applicant: **ANHUI UNI ELECTRONIC TECHNOLOGY CO., LTD.**, Tongling (CN)

(72) Inventor: **Peiguang Hong**, Tongling (CN)

(73) Assignee: **ANHUI UNI ELECTRONIC TECHNOLOGY CO., LTD.**

(**) Term: **15 Years**

(21) Appl. No.: **29/716,291**

(22) Filed: **Dec. 9, 2019**

(51) **LOC (13) Cl.** **10-04**

(52) **U.S. Cl.**
USPC **D10/91; D10/87**

(58) **Field of Classification Search**
USPC D10/91, 92, 46, 83, 87; 177/128, 256, 177/74, 179

CPC G01G 21/286; G01G 21/28; G01G 21/00; G01G 21/30; G01G 23/3728; G01G 23/3735; G01G 19/44; G01G 3/14; G01G 19/46; G01G 19/48; G01G 19/50; G01G 21/44; G01G 19/414; G01G 19/4144; G01G 19/42; A61B 5/053; A61B 5/4872; A61B 5/0537; A61B 5/4869; A61B 5/6825; A61B 5/6829; A61B 5/7445; F16F 1/123; G06Q 20/3678; G06Q 20/387; G06Q 20/065; G06Q 20/36; G06Q 20/06; G09B 19/00

See application file for complete search history.

(56) **References Cited**

U.S. PATENT DOCUMENTS

D521,890 S * 5/2006 Motomizu D10/91
D550,574 S * 9/2007 Barmes D10/91
D586,679 S * 2/2009 Kurata D10/91
D702,144 S * 4/2014 Kobayakawa D10/91
D765,527 S * 9/2016 Arai D10/91
D778,748 S * 2/2017 Nugent D10/94

D791,628 S * 7/2017 Ganrude D10/91
D838,200 S * 1/2019 Li D10/91
D842,731 S * 3/2019 Hong D10/91
D850,958 S * 6/2019 Pan D10/91
D851,522 S * 6/2019 Hong D10/94
D854,955 S * 7/2019 Hong D10/91

(Continued)

FOREIGN PATENT DOCUMENTS

CN 304925507 * 5/2018
CN 305788703 * 10/2019
CN 305756990 * 11/2019

(Continued)

OTHER PUBLICATIONS

GreaterGoods Store, Digital Pocket Scale, Date first available Jun. 3, 2019, [online]retrieved Apr. 20, 2021, available from https://www.amazon.com/GreaterGoods-Digital-Pocket-Letter-Accuracy/dp/B07SJTXGN7/ref=sr_1_4?dchild=1&keywords=ANHUI+scale&qid=1618938579&sr=8-4 (Year: 2019).*

(Continued)

Primary Examiner — Keli L Hill

Assistant Examiner — Sara S Sahneh

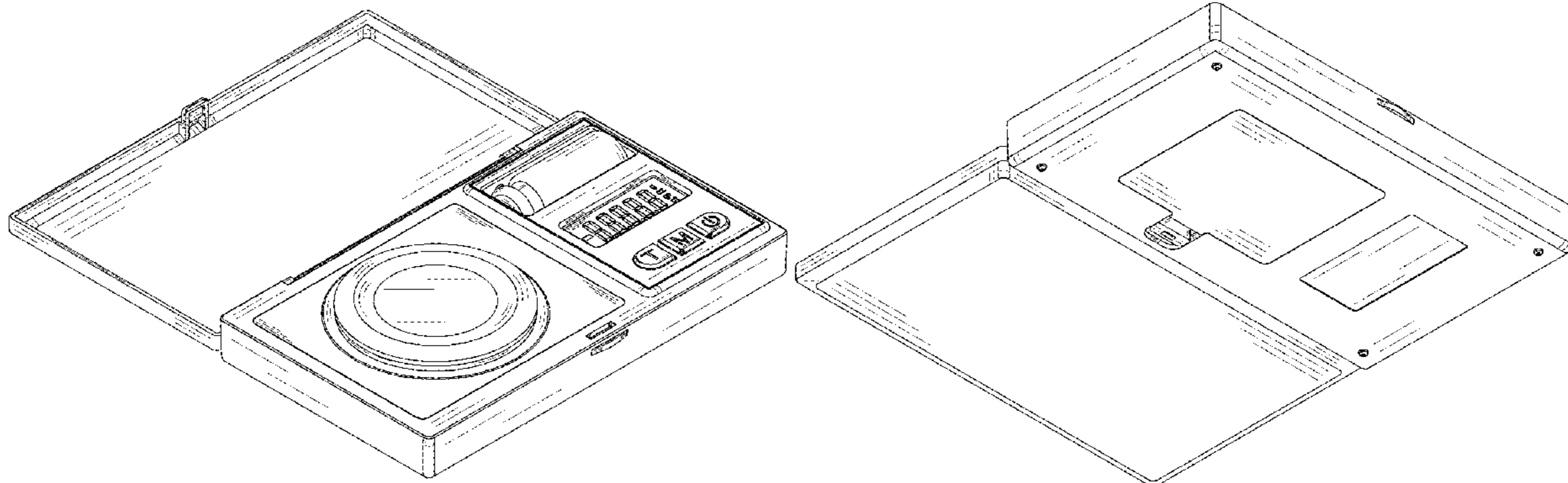
(57) **CLAIM**

The ornamental design for an electronic scale, as shown and described.

DESCRIPTION

FIG. 1 is a front view of an electronic scale, showing my new design in an open extended configuration;
FIG. 2 is a back view thereof;
FIG. 3 is a left side view thereof;
FIG. 4 is a right side view thereof;
FIG. 5 is a top view thereof;
FIG. 6 is a bottom view thereof;
FIG. 7 is a perspective view thereof; and,
FIG. 8 is another perspective view thereof.

1 Claim, 8 Drawing Sheets



(56)

References Cited

U.S. PATENT DOCUMENTS

2017/0108371 A1* 4/2017 Pan G01G 21/28

FOREIGN PATENT DOCUMENTS

| | | | |
|----|-----------|---|--------|
| CN | 305903030 | * | 3/2020 |
| CN | 306380843 | * | 3/2021 |
| GB | 6101917 | * | 9/2020 |

OTHER PUBLICATIONS

Linghan, Digital Pocket Scale, Date first available Aug. 17, 2016,[online]retrieved Apr. 20, 2021,available from https://www.amazon.com/Pocket-Scale-500-17-6-0-01/dp/B01IVI4X9G/ref=sr_1_31?dchild=1&keywords=ANHUI+scale&qid=1618938579&sr=8-31 (Year: 2016).*

LanSheng, Digital Scale, Date first available May 18, 2019, [online]retrieved Apr. 20, 2021,available from https://www.amazon.com/LanSheng-Multifunction-Precision-Transparent-Protective/dp/B07MP1WFHZ/ref=pd_day0_5?pd_rd_w=TqVJ1&pf_rd_p=8ca997d7-1ea0-4c8f-9e14-a6d756b83e30&pf_rd_r=XQMZ07WQY7 (Year: 2019).*

Fuzion, Digital Milligram Scale,Date first available Jun. 20, 2019,[online]retrieved Apr. 20, 2021,available from https://www.amazon.com/Fuzion-Milligram-Portable-Reloading-Batteries/dp/B07TBJBFRK/ref=pd_day0_21?pd_rd_w=keiD4&pf_rd_p=8ca997d7-1ea0-4c8f-9e14-a6d756b83e30&pf_rd_r=GHXSKZWBCM7YN5GG (Year: 2019).*

* cited by examiner

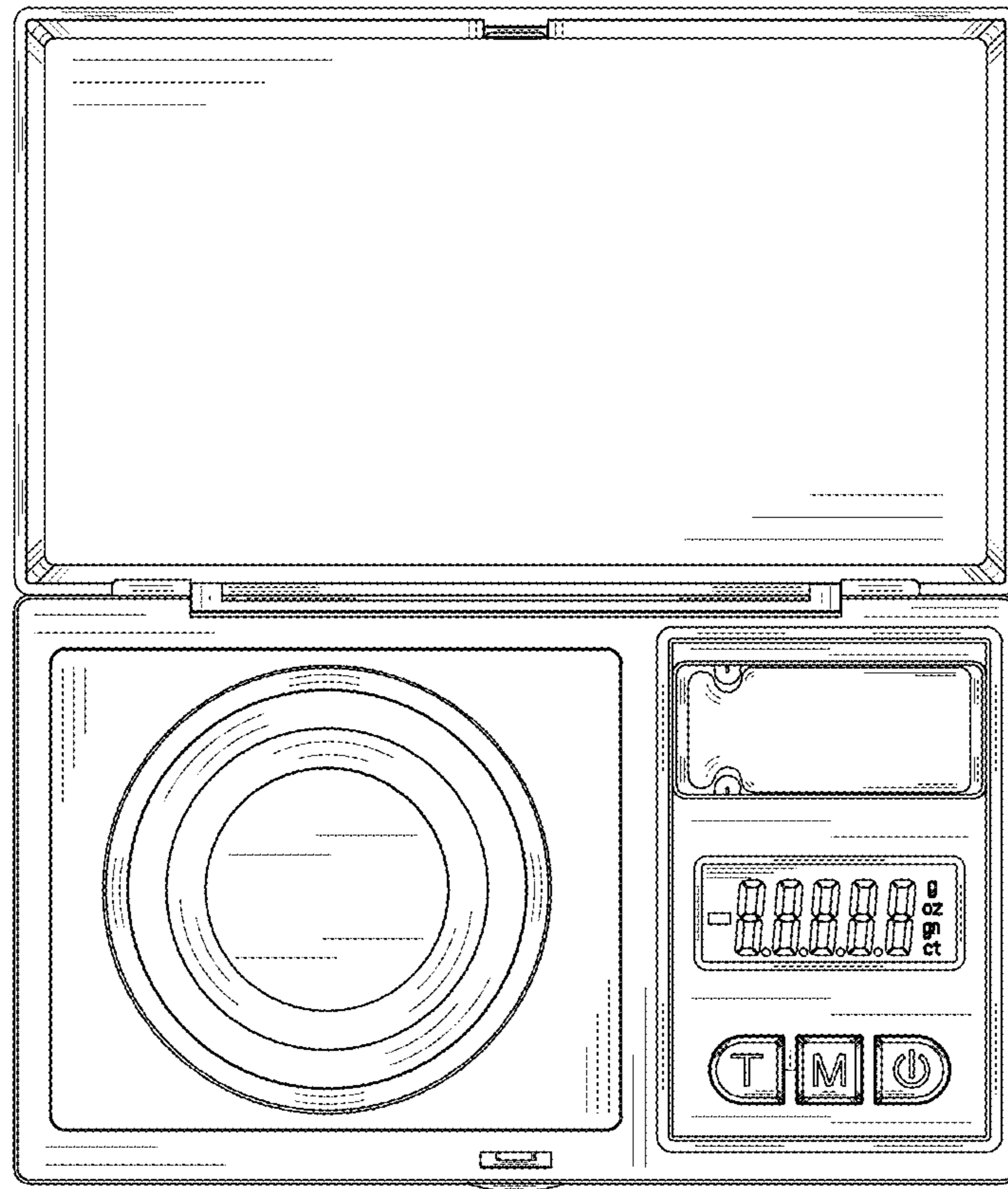


FIG. 1

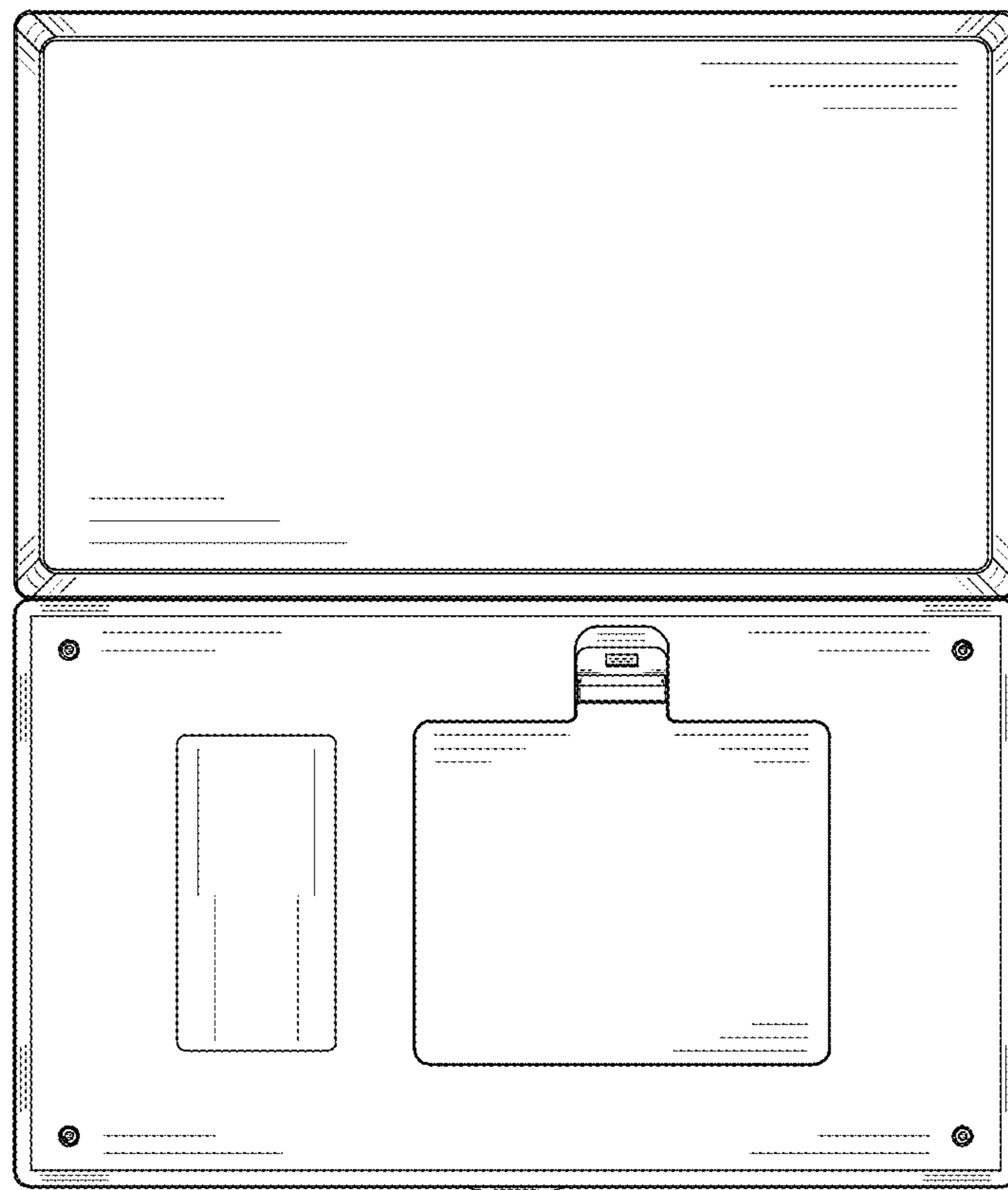


FIG. 2

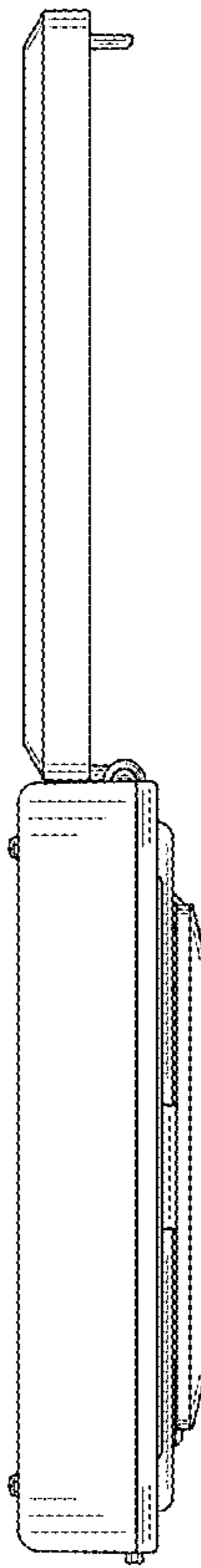


FIG. 3

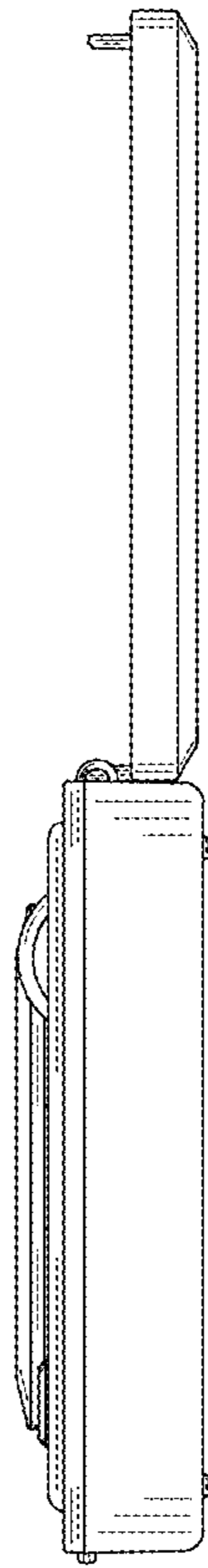


FIG. 4

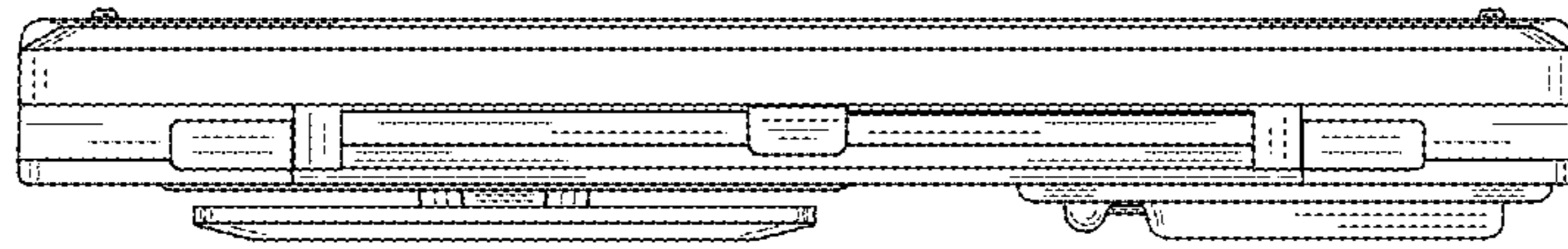


FIG. 5

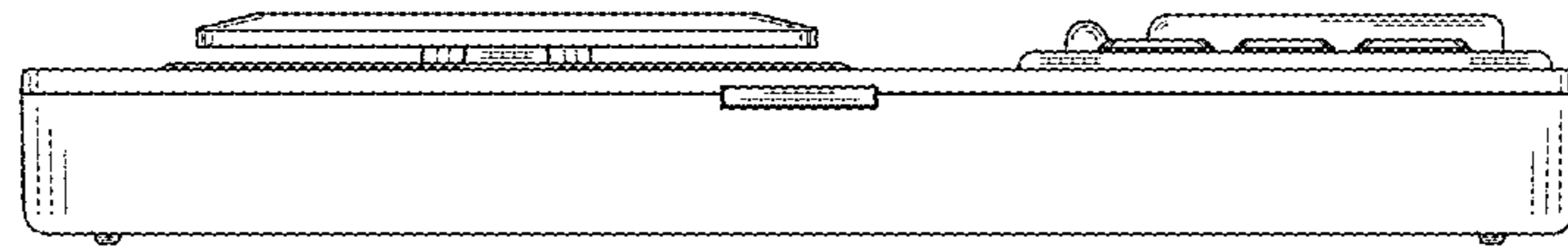


FIG. 6

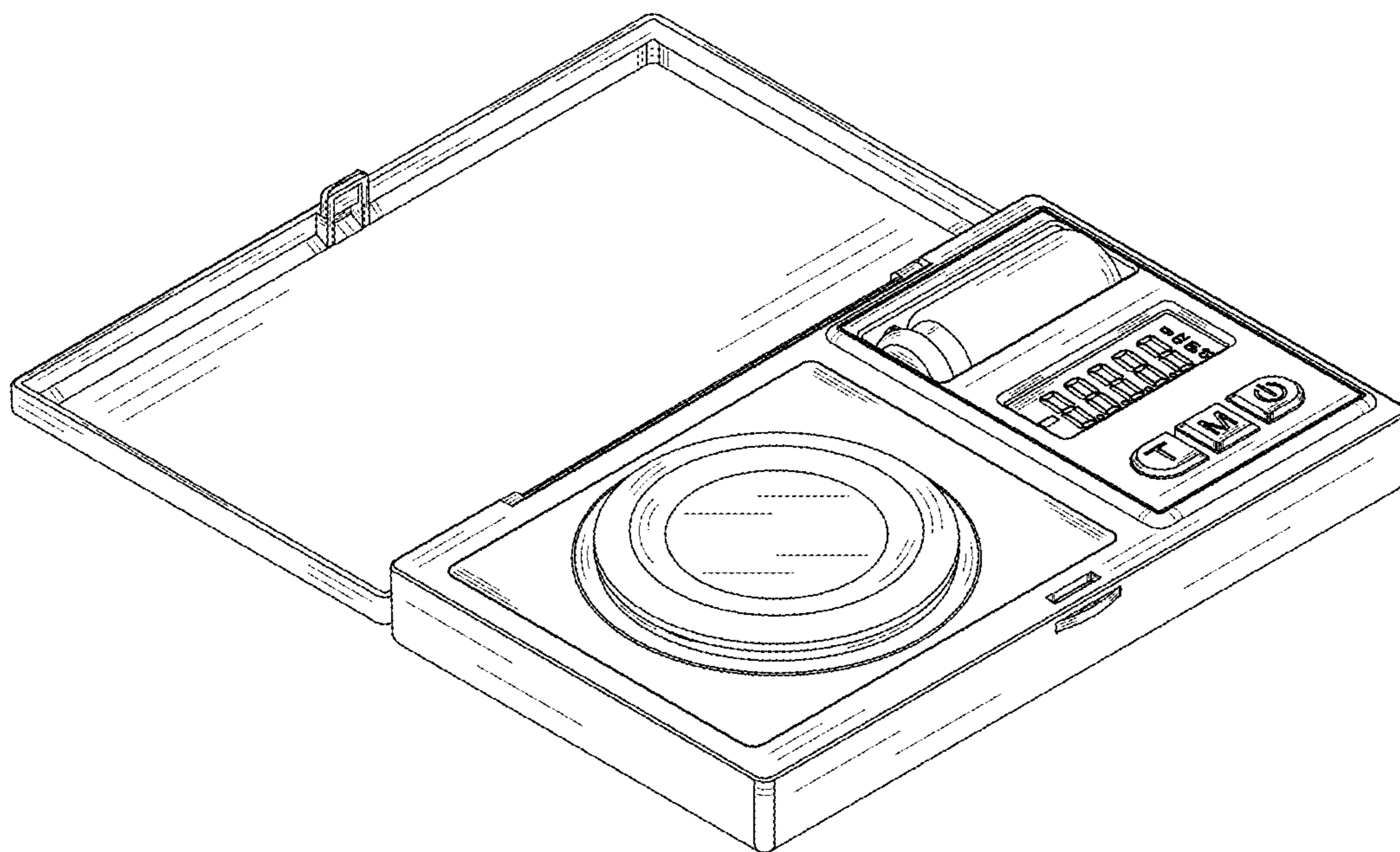


FIG. 7

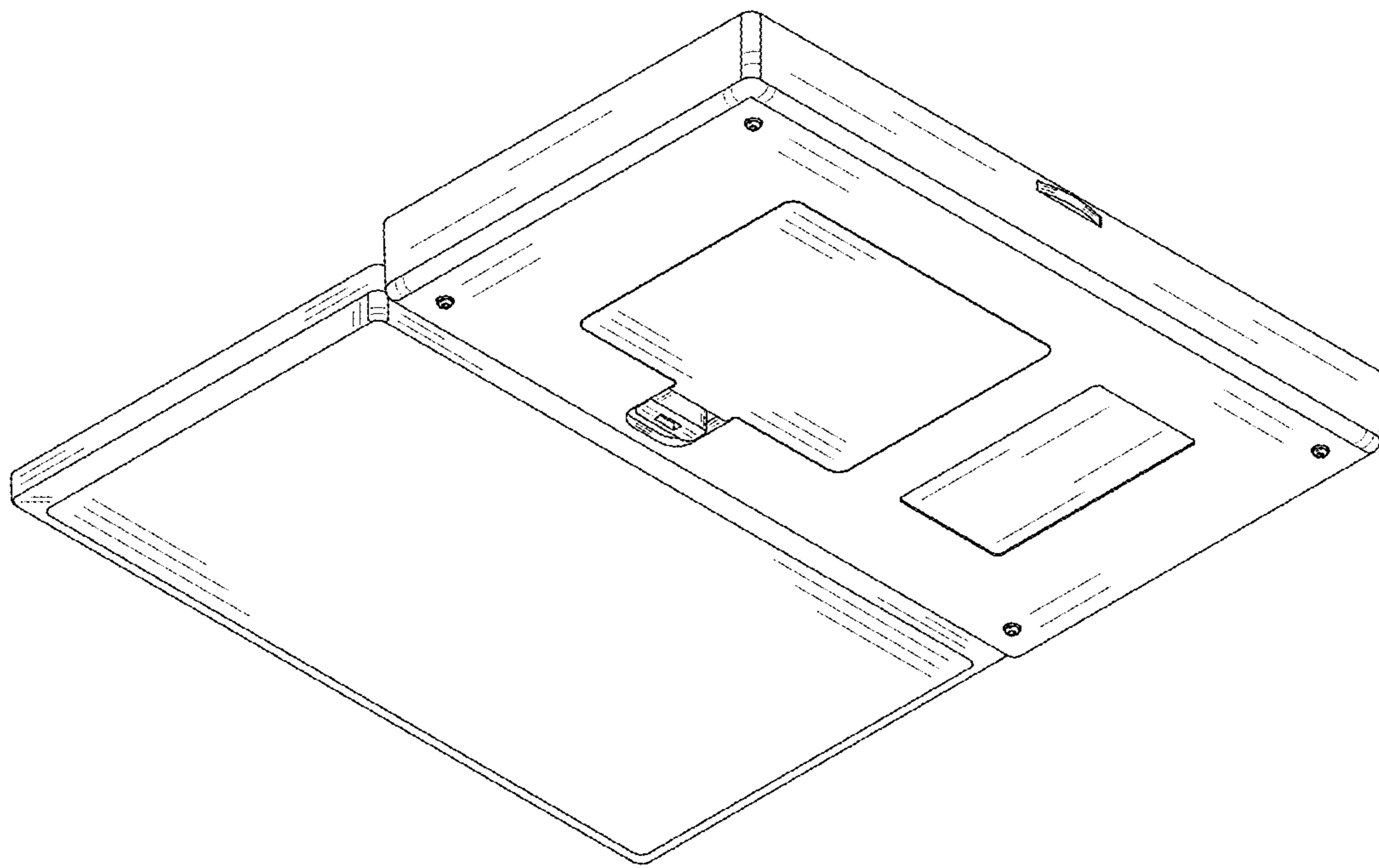


FIG. 8