



US00D926610S

(12) **United States Design Patent** (10) **Patent No.:** **US D926,610 S**
Roland et al. (45) **Date of Patent:** **** Aug. 3, 2021**

(54) **WATER QUALITY MONITOR**

6,125,481 A 10/2000 Sicilano
 6,253,227 B1 6/2001 Tompkins et al.
 6,309,538 B1 10/2001 Khan
 6,625,824 B1 9/2003 Lutz et al.

(71) Applicant: **Pentair Water Pool and Spa, Inc.**,
Cary, NC (US)

(Continued)

(72) Inventors: **Montie Roland**, Sanford, NC (US);
Mitchell Bellamy, Sanford, NC (US);
Sean McEwan, Chapel Hill, NC (US);
Adam Key, Raleigh, NC (US)

FOREIGN PATENT DOCUMENTS

EP 1847513 A1 10/2007
 FR 2932207 A1 12/2009

(73) Assignee: **Pentair Water Pool and Spa, Inc.**,
Cary, NC (US)

Primary Examiner — Antoine Duval Davis

(74) *Attorney, Agent, or Firm* — Husch Blackwell LLP

(**) Term: **15 Years**

(57) **CLAIM**

The ornamental design for a water quality monitor, as shown and described.

(21) Appl. No.: **29/692,059**

(22) Filed: **May 22, 2019**

DESCRIPTION

(51) **LOC (13) Cl.** **10-04**

(52) **U.S. Cl.**
USPC **D10/81**

(58) **Field of Classification Search**
 USPC D10/81
 CPC C02F 1/467; C02F 103/42; C02F 1/66;
 C02F 1/24; C02F 1/465; C02F 9/005;
 C02F 2209/06; C02F 2307/00; E04H
 4/14; E04H 4/12; E04H 4/1281; G01N
 33/18

See application file for complete search history.

(56) **References Cited**

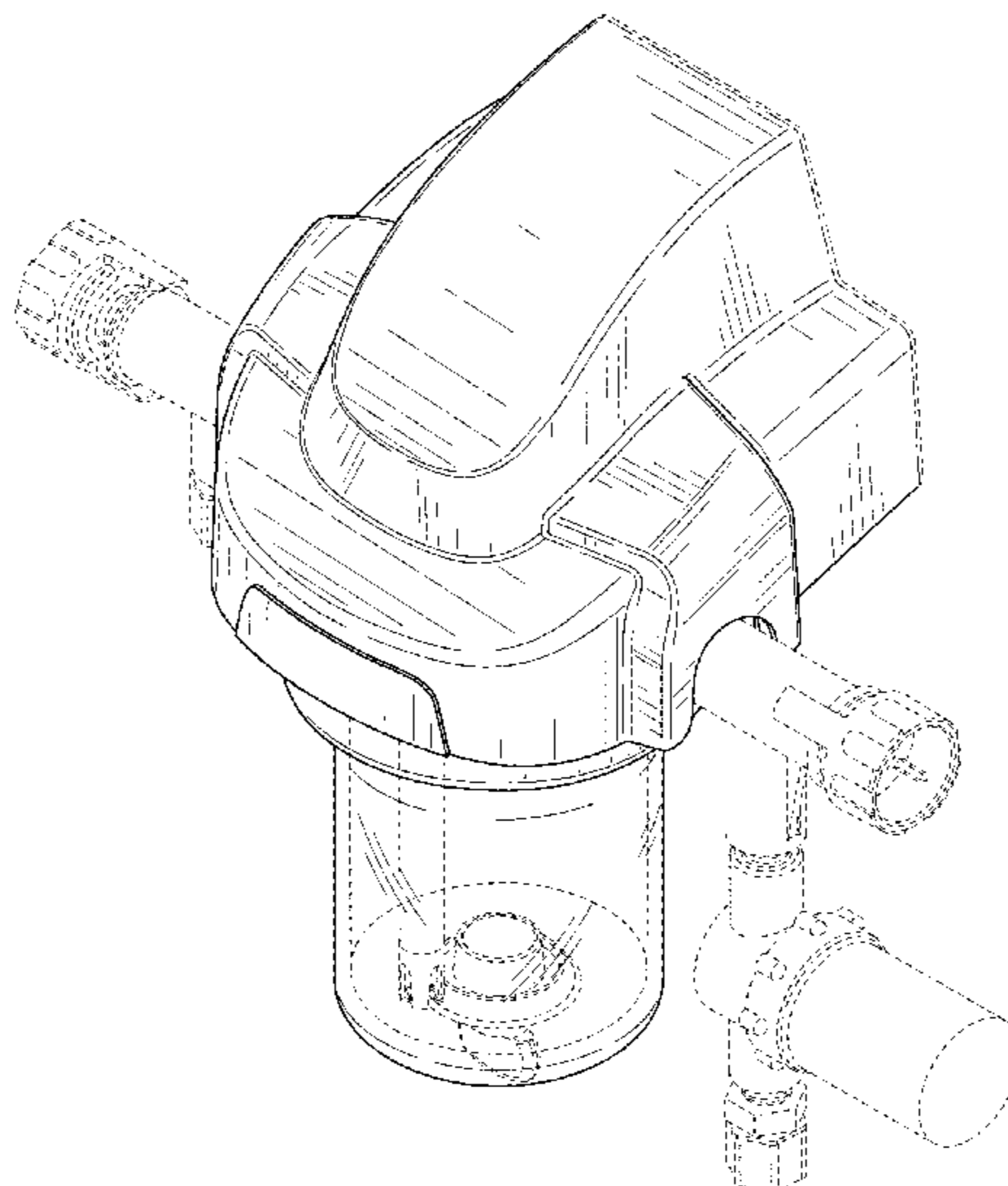
U.S. PATENT DOCUMENTS

D256,786 S * 9/1980 Pedersen D10/81
 4,224,154 A 9/1980 Steininger
 4,752,740 A 6/1988 Steininger
 4,801,886 A 1/1989 Steininger
 4,825,207 A 4/1989 Snell
 5,326,481 A 7/1994 Klwerud
 5,422,014 A 6/1995 Allen et al.
 5,616,239 A 4/1997 Wendell et al.
 5,798,940 A 8/1998 Bratton et al.
 5,895,565 A 4/1999 Steininger et al.
 6,003,164 A 12/1999 Leaders

FIG. 1 is an isometric view of a top, front, and left side of an embodiment of an ornamental design for a water quality monitor;
 FIG. 2 is a front elevational view of the water quality monitor of FIG. 1;
 FIG. 3 is a rear elevational view of the water quality monitor of FIG. 1;
 FIG. 4 is a left side elevational view of the water quality monitor of FIG. 1;
 FIG. 5 is a right side elevational view of the water quality monitor of FIG. 1;
 FIG. 6 is a top plan view of the water quality monitor of FIG. 1; and,
 FIG. 7 is a bottom plan view of the water quality monitor of FIG. 1.

The dash-dash-dash lines are for the purpose of illustrating environmental structure and form no part of the claimed design. The dash-dot-dash lines form no part of the claimed design and represent a boundary line between the claimed design and unclaimed portions. FIGS. 1-7 depict a flow cell jar attached to a housing where the flow cell jar is transparent or translucent.

1 Claim, 6 Drawing Sheets



(56)

References Cited

U.S. PATENT DOCUMENTS

6,653,842	B2	11/2003	Mosley et al.
6,900,736	B2	5/2005	Crumb
6,958,693	B2	10/2005	Rothgeb et al.
7,094,353	B2	8/2006	Unhoch
7,167,087	B2	1/2007	Corrington et al.
7,292,898	B2	11/2007	Clark et al.
7,391,333	B2	6/2008	Madden et al.
7,398,138	B2	7/2008	Emery et al.
7,752,893	B2	7/2010	Biberger
7,938,909	B2	5/2011	Mortimer et al.
7,993,600	B2	8/2011	Doyle et al.
8,281,647	B2	10/2012	Boutet et al.
8,459,100	B2	6/2013	Biberger
9,494,480	B2	11/2016	Klicpera
9,776,888	B1	10/2017	Kurani et al.
9,784,686	B2	10/2017	Clark
9,834,451	B2	12/2017	Miller et al.
9,926,207	B2	3/2018	Rodriguez
2003/0205509	A1	11/2003	Barnes et al.
2004/0197229	A1	10/2004	Runyon
2005/0167345	A1	8/2005	De Wet et al.
2005/0288821	A1	12/2005	Laflamme et al.
2006/0241874	A1	10/2006	Carter
2007/0219652	A1	9/2007	McMillan
2010/0096338	A1	4/2010	De Wet et al.
2010/0332149	A1	12/2010	Scholpp
2013/0126403	A1	5/2013	Kilawee et al.
2017/0248568	A1	8/2017	Yizhack et al.

* cited by examiner

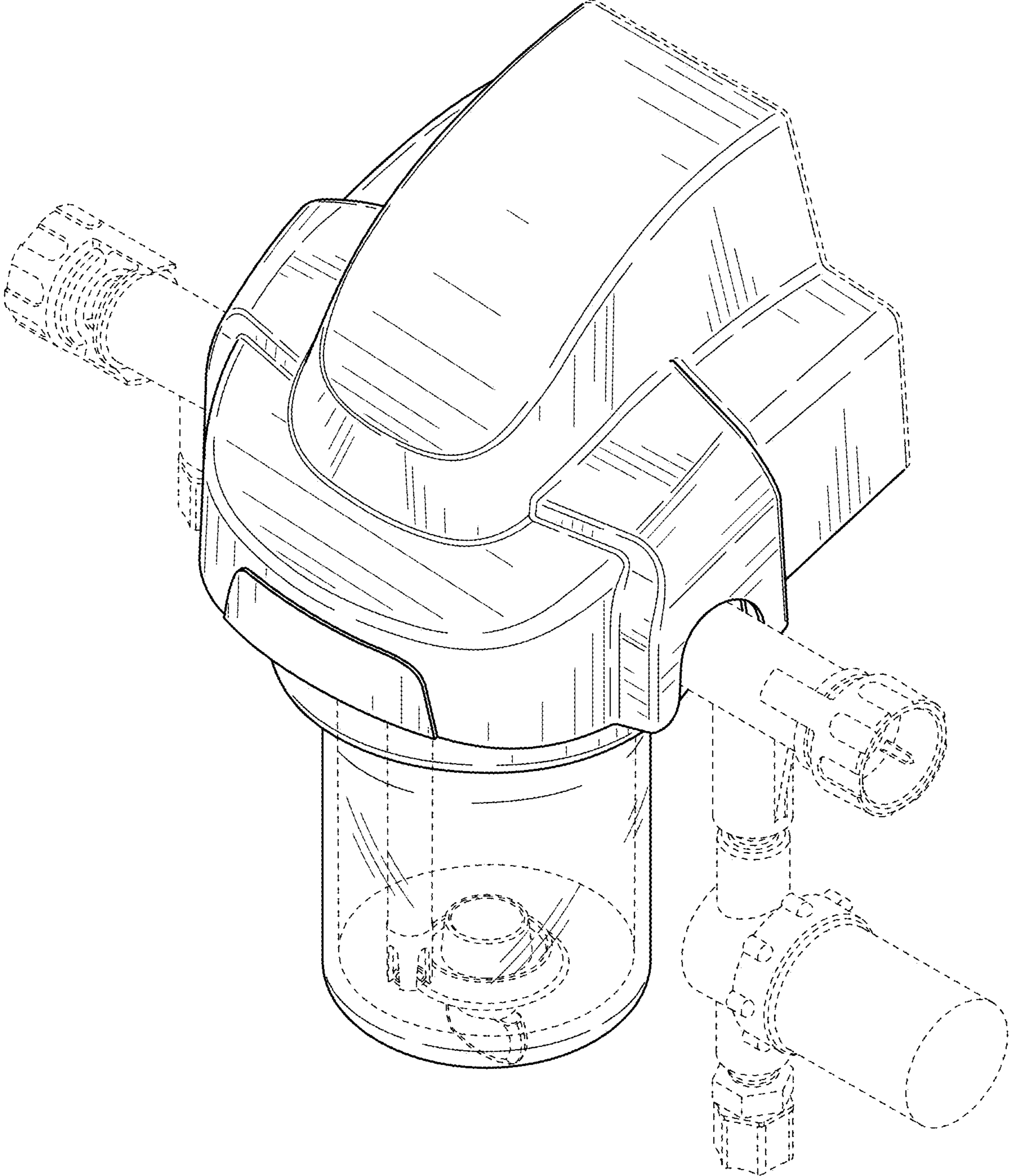


FIG. 1

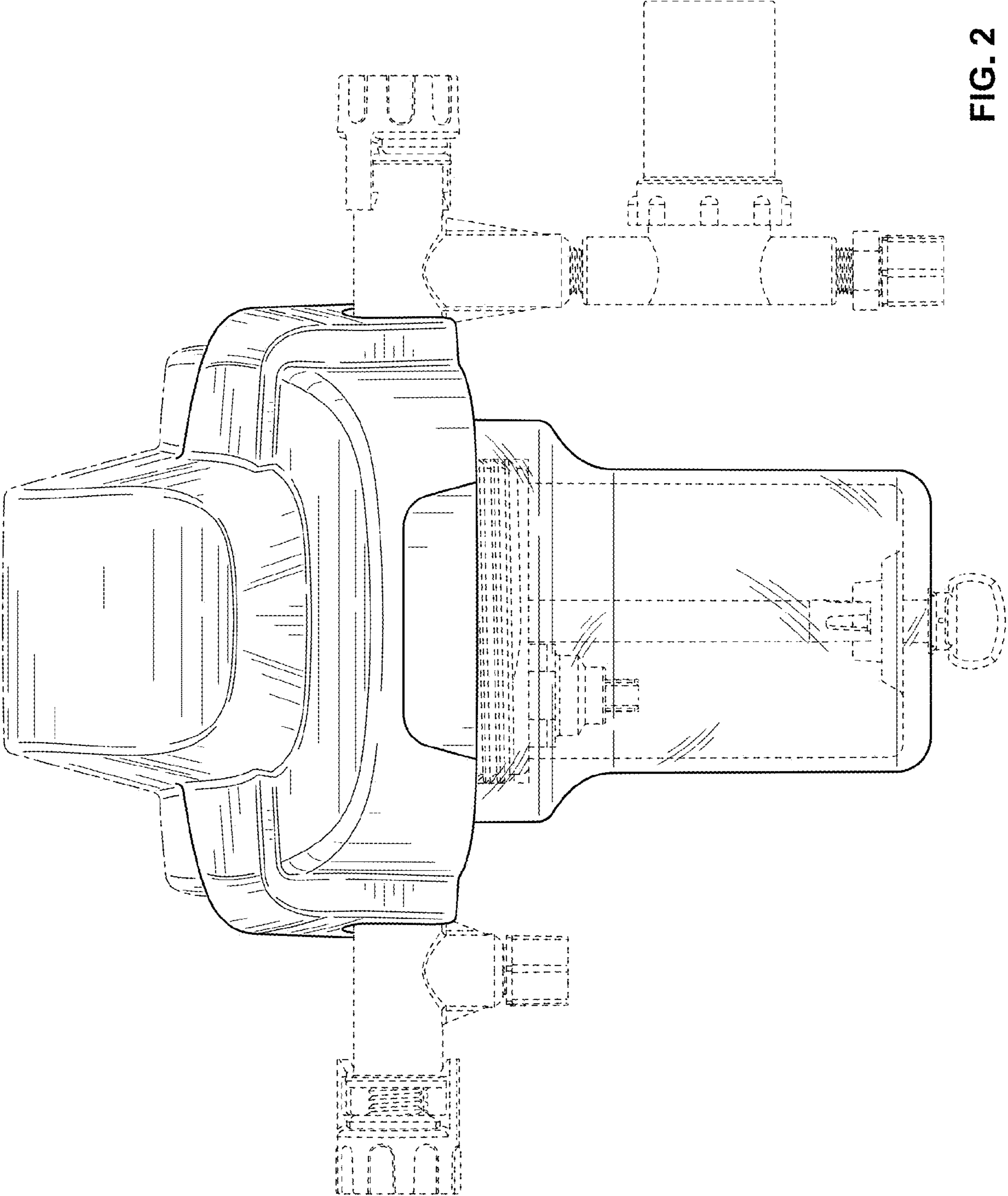
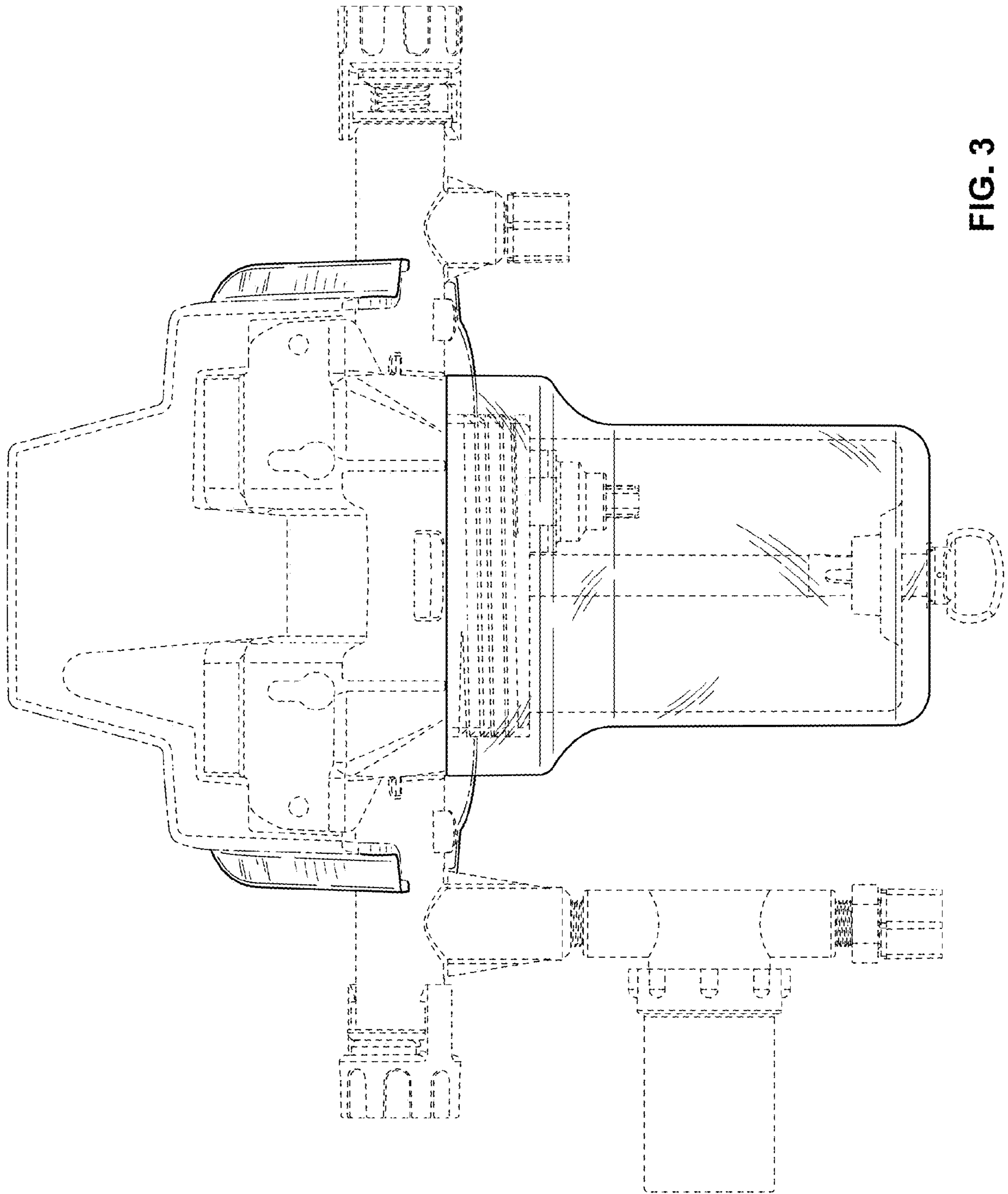


FIG. 2



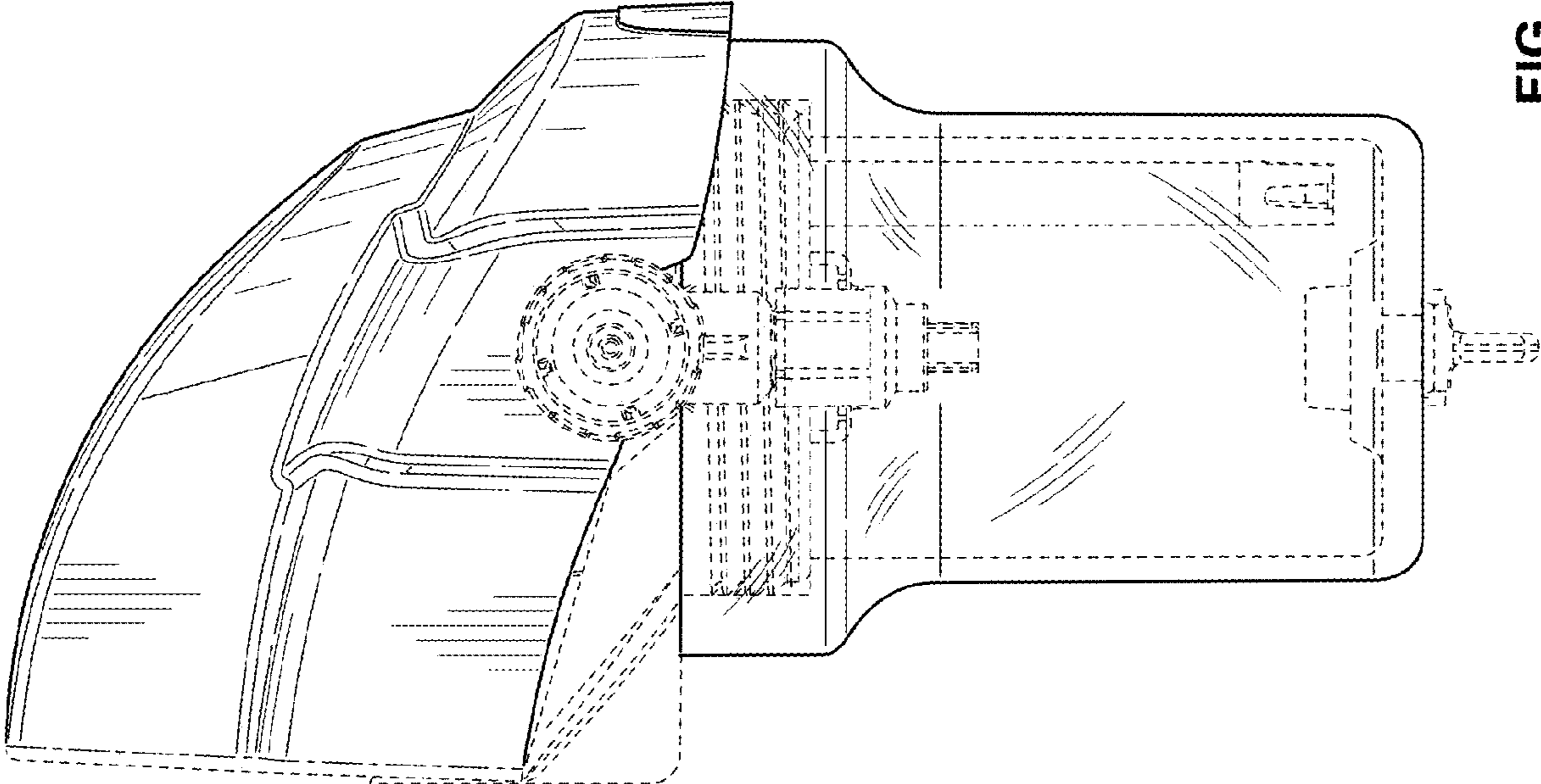


FIG. 4

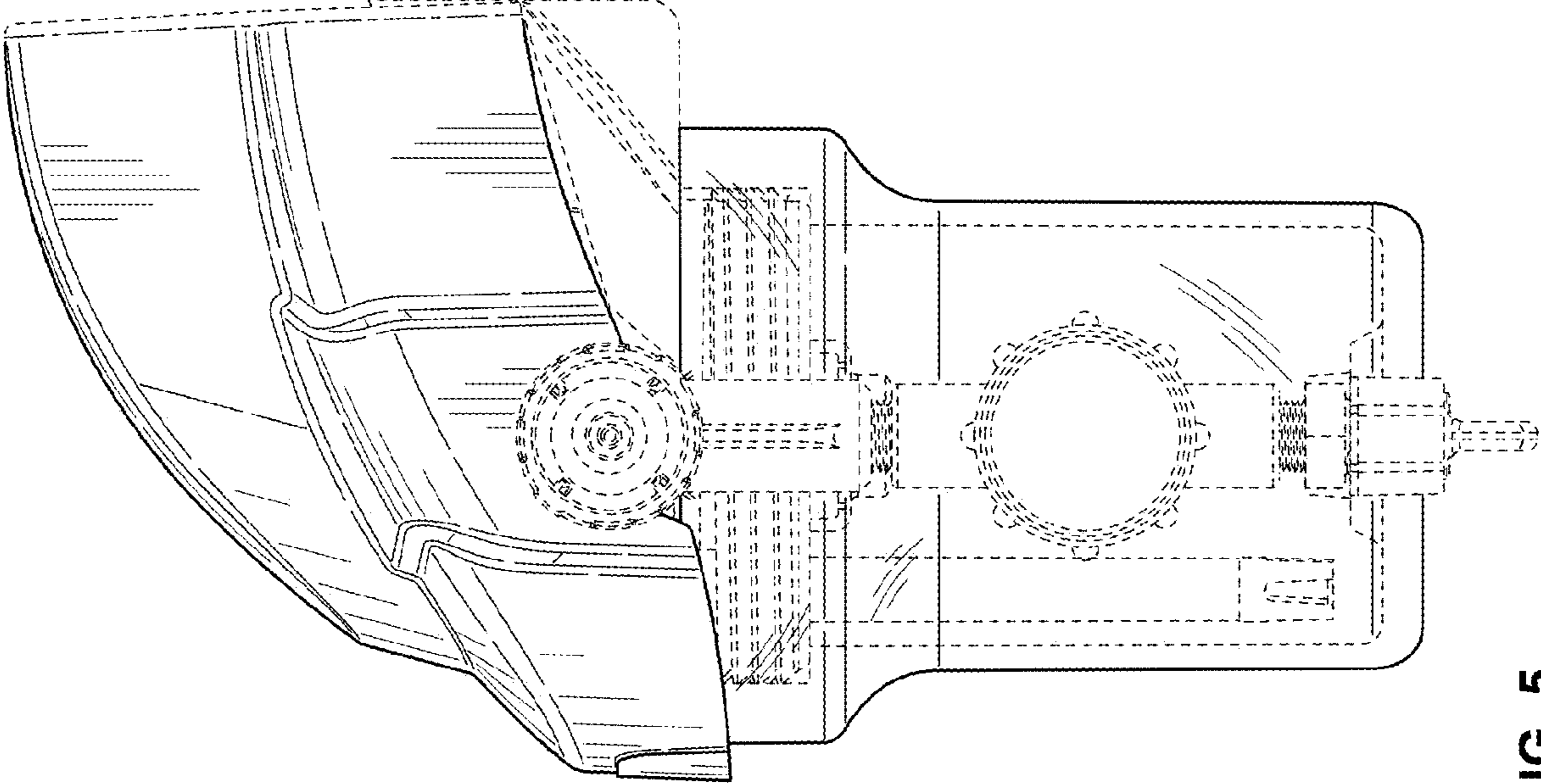


FIG. 5

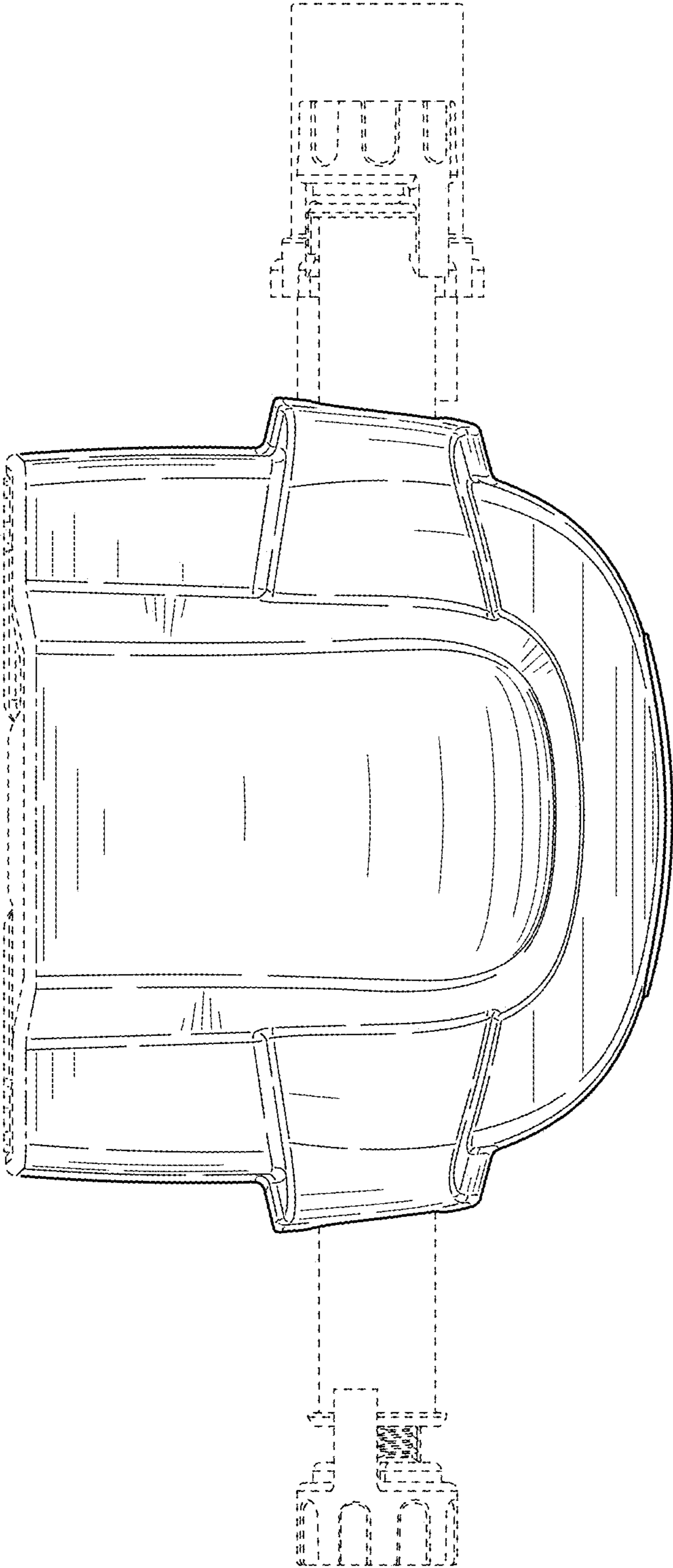


FIG. 6

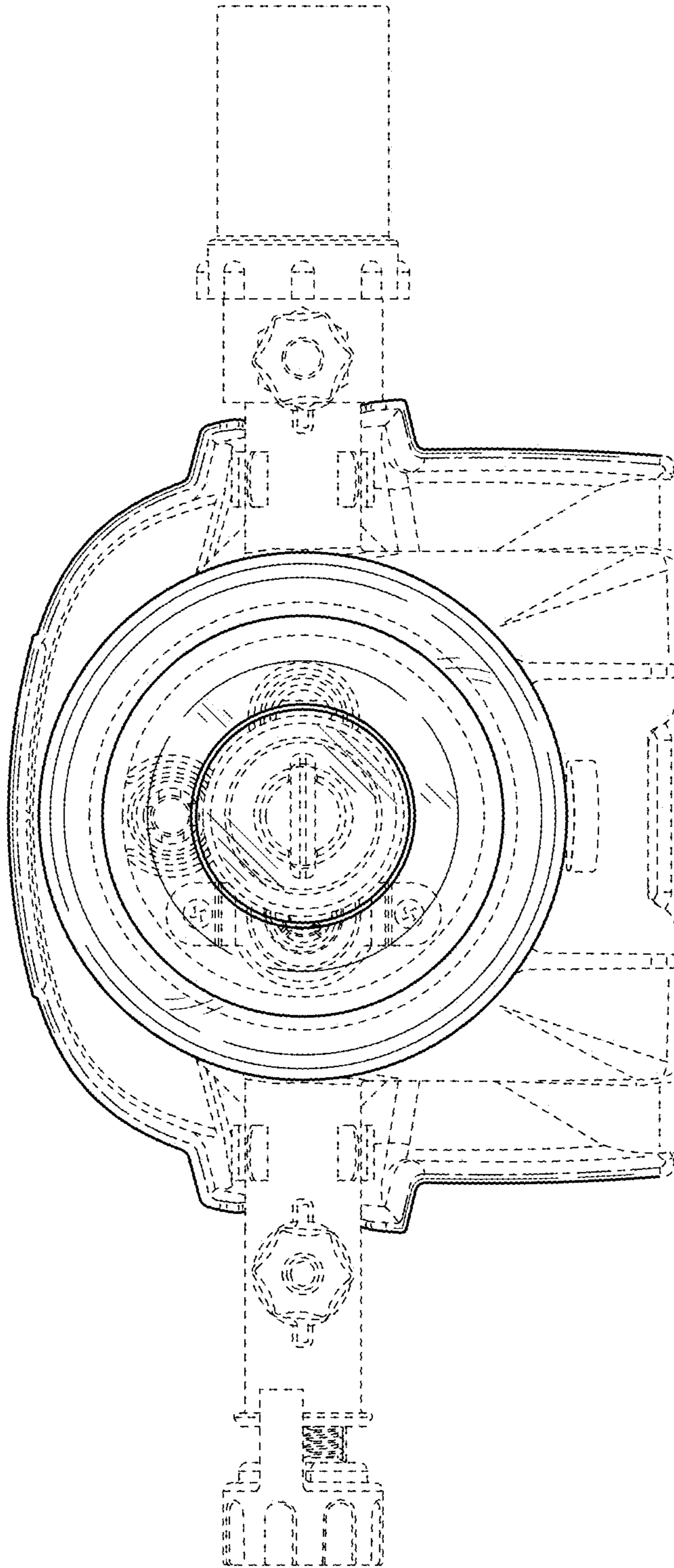


FIG. 7