



US00D926609S

(12) **United States Design Patent**  
**Xie**

(10) **Patent No.:** **US D926,609 S**  
(45) **Date of Patent:** **\*\* Aug. 3, 2021**

(54) **FAULT DIAGNOSIS DEVICE FOR VEHICLE**

D838,612 S \* 1/2019 Xie ..... D10/78  
D839,113 S \* 1/2019 Xie ..... D10/78  
D839,114 S \* 1/2019 Xie ..... D10/78

(71) Applicant: **Shenzhen Jiawei Trust Technology Co., LTD**, Shenzhen (CN)

(Continued)

(72) Inventor: **Zuce Xie**, Shenzhen (CN)

**FOREIGN PATENT DOCUMENTS**

(\*\*) Term: **15 Years**

EM 004243947-0004 \* 9/2017  
EM 004378032-0001 \* 9/2017

(21) Appl. No.: **29/716,773**

(Continued)

(22) Filed: **Dec. 12, 2019**

**OTHER PUBLICATIONS**

(51) **LOC (13) Cl.** ..... **10-05**

Konnwei Store, OBD2 Scanner Konnwei Code Reader OBD, Date first available Jul. 27, 2017, [online]retrieved Feb. 2, 2021, available from internet [https://www.amazon.com/Scanner-KONNWEI-Diagnostic-Readiness-Upgraded/dp/B078PLXQN5/ref=pd\\_di\\_sccai\\_16?pd\\_rd\\_w=8P5sA&pf\\_rd\\_p=c9443270-b914](https://www.amazon.com/Scanner-KONNWEI-Diagnostic-Readiness-Upgraded/dp/B078PLXQN5/ref=pd_di_sccai_16?pd_rd_w=8P5sA&pf_rd_p=c9443270-b914) (Year: 2017).\*

(52) **U.S. Cl.**

USPC ..... **D10/78**

(Continued)

(58) **Field of Classification Search**

USPC ..... D10/46, 61, 70-80, 52, 53, 65, 69;  
340/635, 636, 636.2, 359.11, 636.1,  
340/686.19, 425.945; 324/426, 427, 428,  
324/429, 430, 431, 432, 433, 434, 435,  
324/436, 437; 701/33.3; 702/81  
CPC ..... Y02E 10/72; Y02E 60/10; C02F 1/008;  
C02F 2201/326; C02F 2209/001; C02F  
2209/006; C02F 2209/008; C02F  
2209/11; C02F 2209/02; C02F 2209/06;  
C02F 2209/10; C02F 2303/14; B60P  
3/36; B60P 3/32; B60Q 1/00; G07C  
5/0858; G07C 5/0883; G07C 2205/02;  
G07C 5/0808; B60K 25/02; B60K  
2025/022; G01R 31/385; G01R 31/36;  
G01R 31/3689; G01R 1/04; G01R 1/20;  
G01R 1/22; G06F 7/00; G06F 19/00;  
G01J 5/0096; H01M 10/488

See application file for complete search history.

*Primary Examiner* — Keli L Hill

*Assistant Examiner* — Sara S Sahneh

(74) *Attorney, Agent, or Firm* — Prakash Nama; Global IP Services, PLLC

(56) **References Cited**

**U.S. PATENT DOCUMENTS**

D361,288 S \* 8/1995 Chandwick ..... D10/78  
D418,437 S \* 1/2000 Peterson ..... D10/78  
8,600,610 B2 \* 12/2013 Bertosa ..... G06Q 30/0639  
701/33.2  
D838,611 S \* 1/2019 Xie ..... D10/78

(57) **CLAIM**

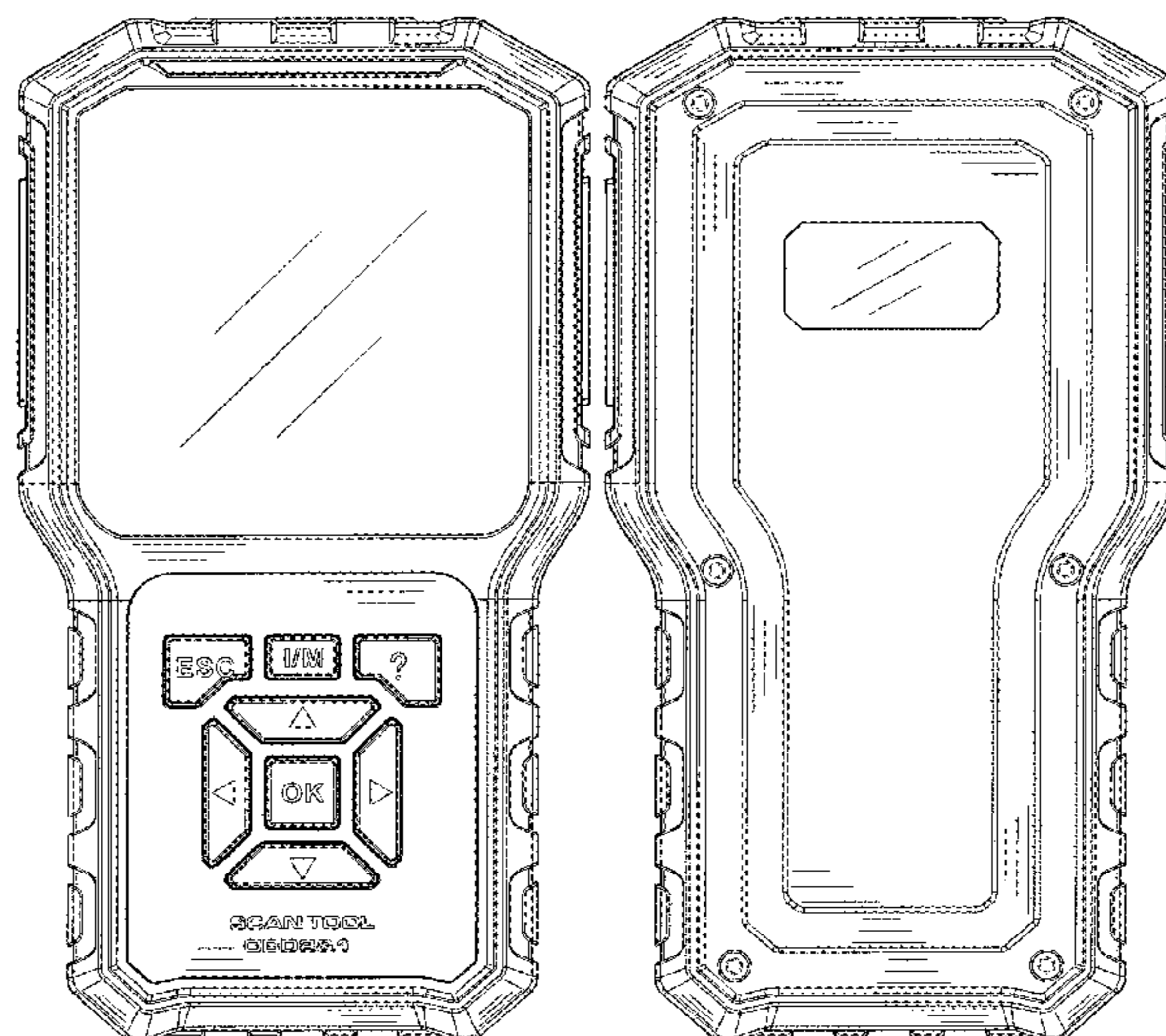
The ornamental design for a fault diagnosis device for vehicle, as shown and described.

**DESCRIPTION**

FIG. 1 is a front elevational view of a fault diagnosis device for vehicle showing my new design;  
FIG. 2 is a rear elevational view thereof;  
FIG. 3 is a left side view thereof;  
FIG. 4 is a right side view thereof;  
FIG. 5 is a top plan view thereof;  
FIG. 6 is a bottom plan view thereof;  
FIG. 7 is a perspective view thereof; and,  
FIG. 8 is another perspective view thereof.

The broken lines shown in fault diagnosis device for vehicle form no part of the claimed design.

**1 Claim, 6 Drawing Sheets**





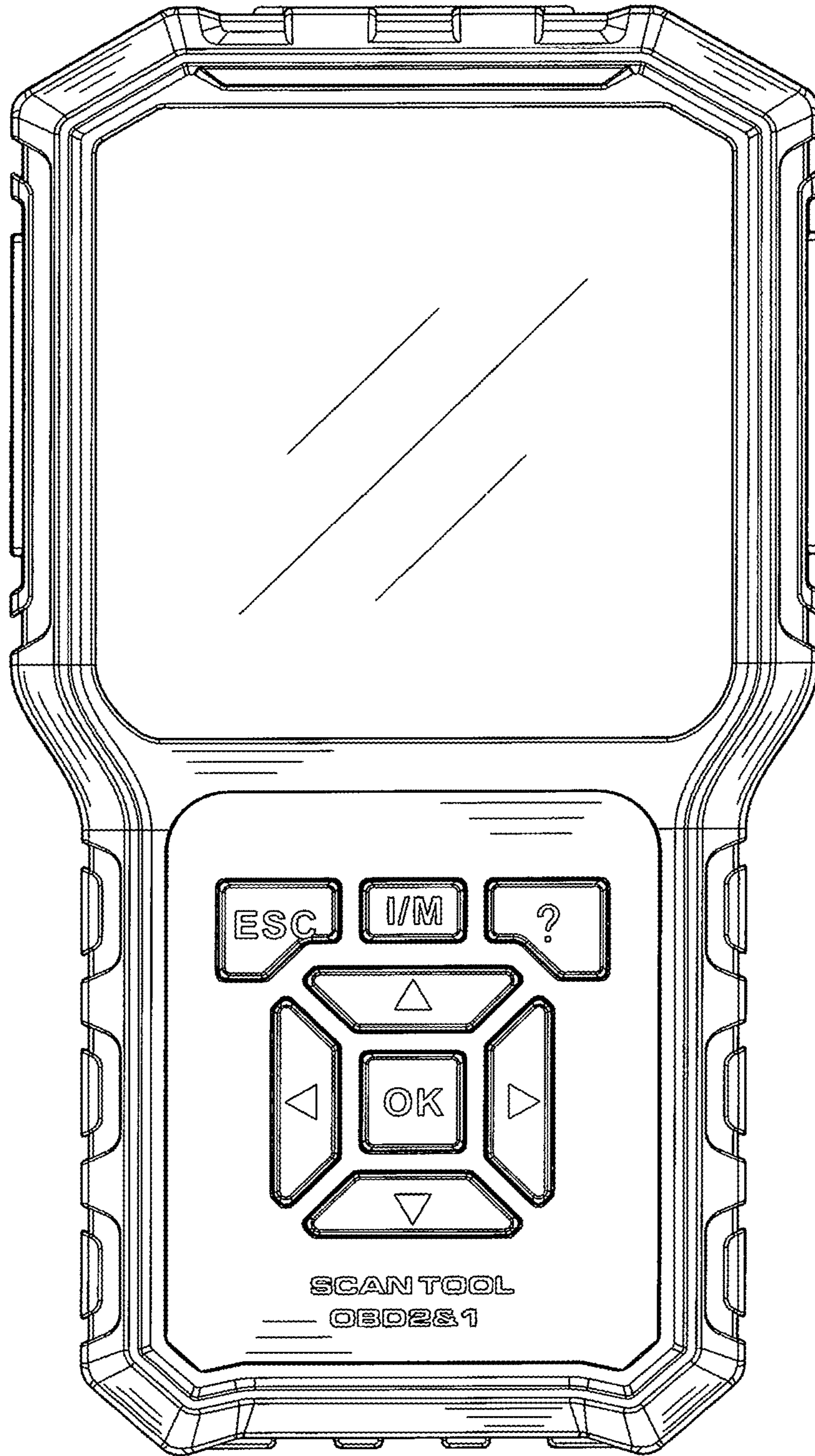


FIG. 1

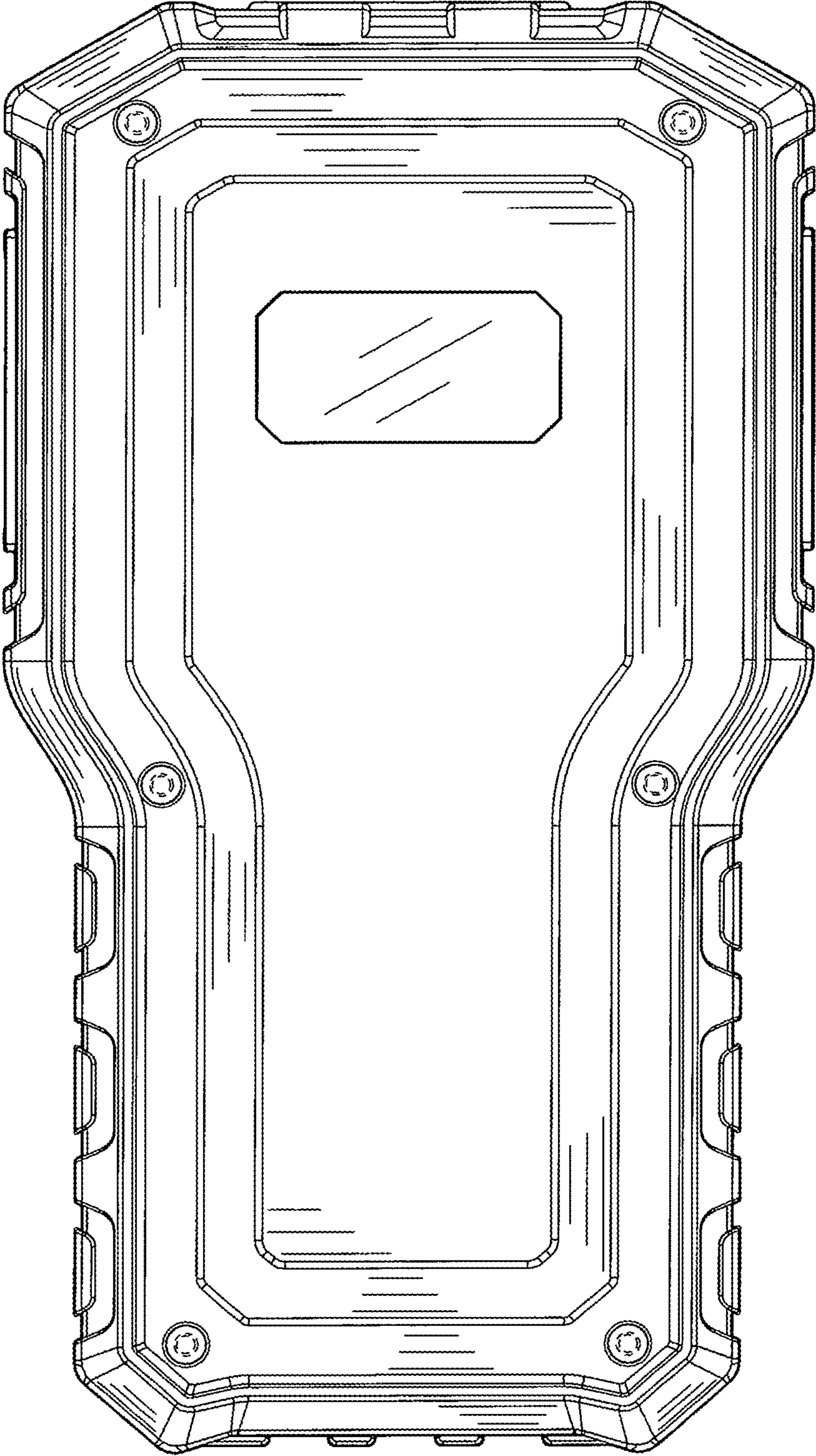


FIG.2

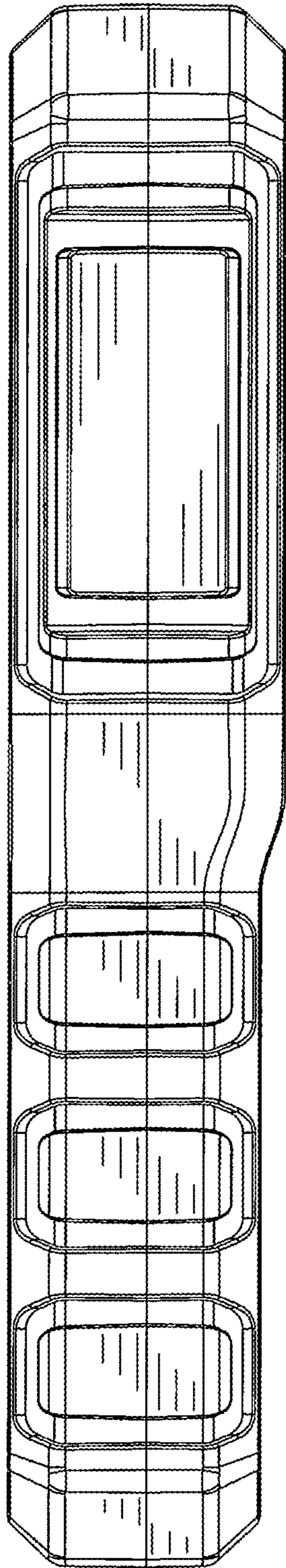


FIG. 3

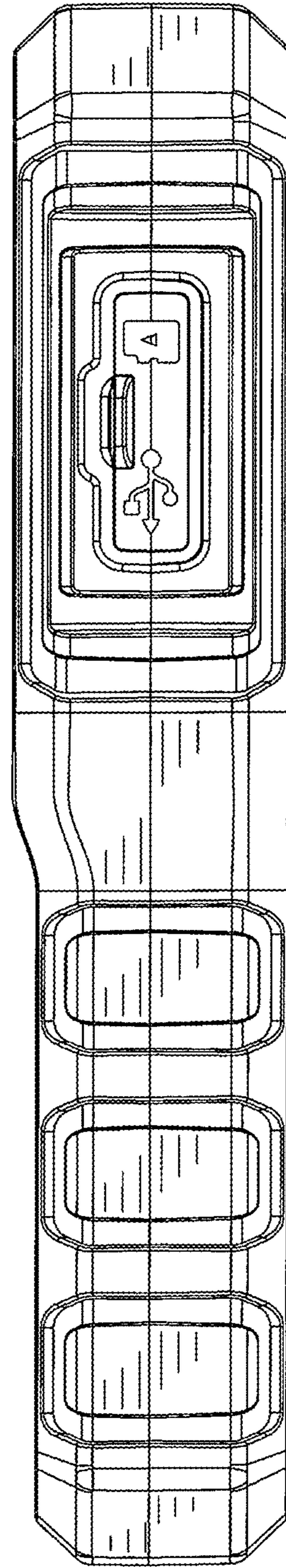


FIG. 4

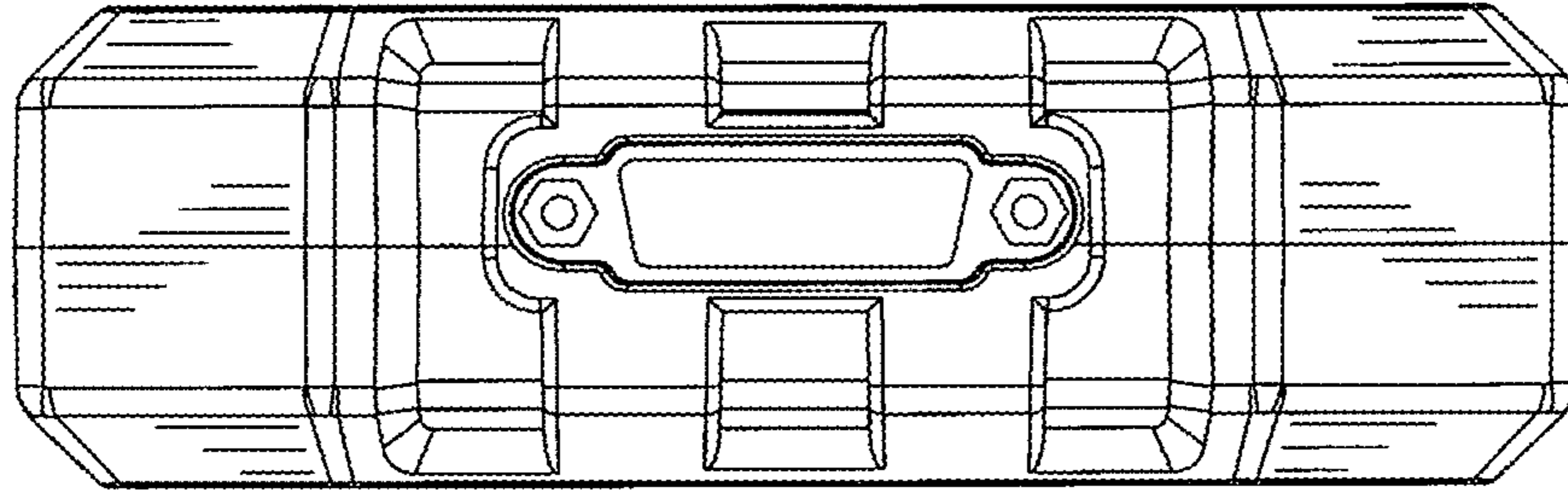


FIG. 5

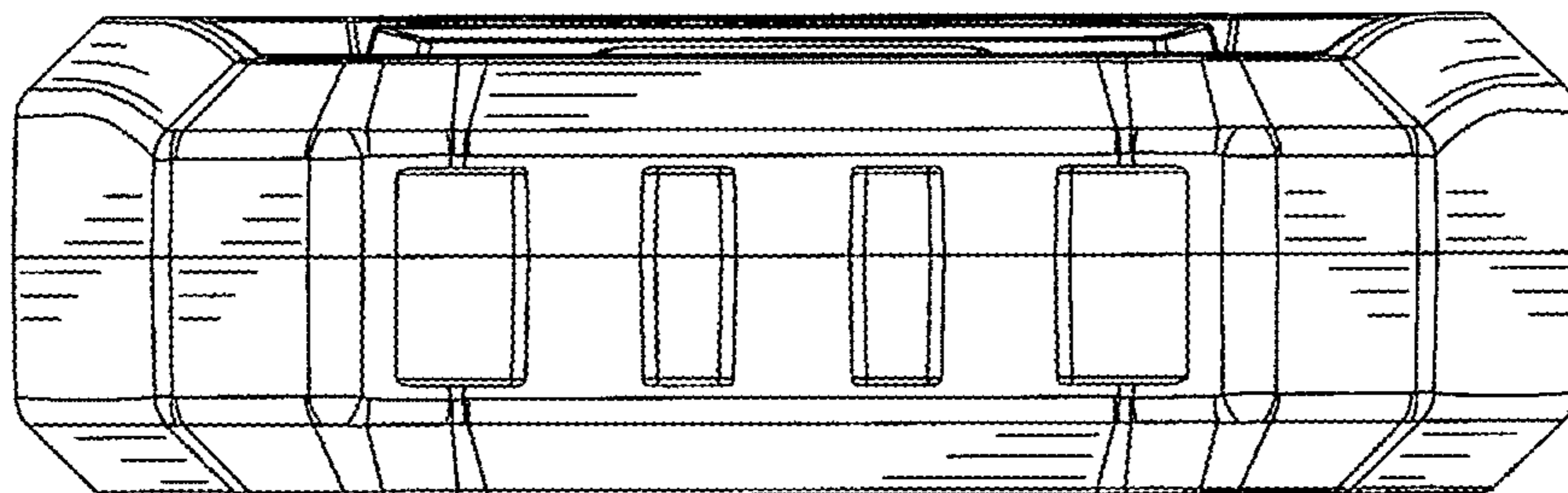


FIG. 6

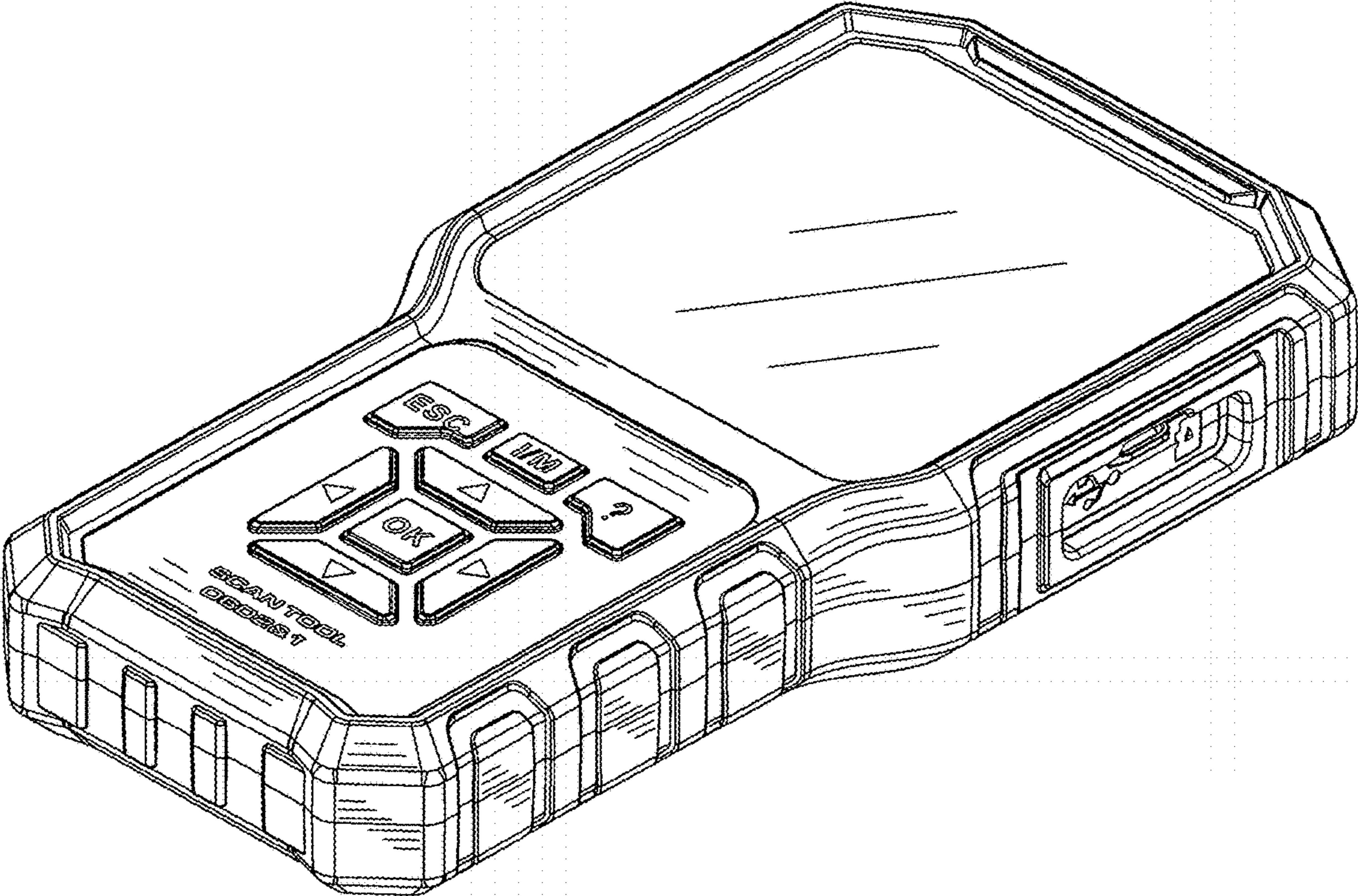


FIG.7

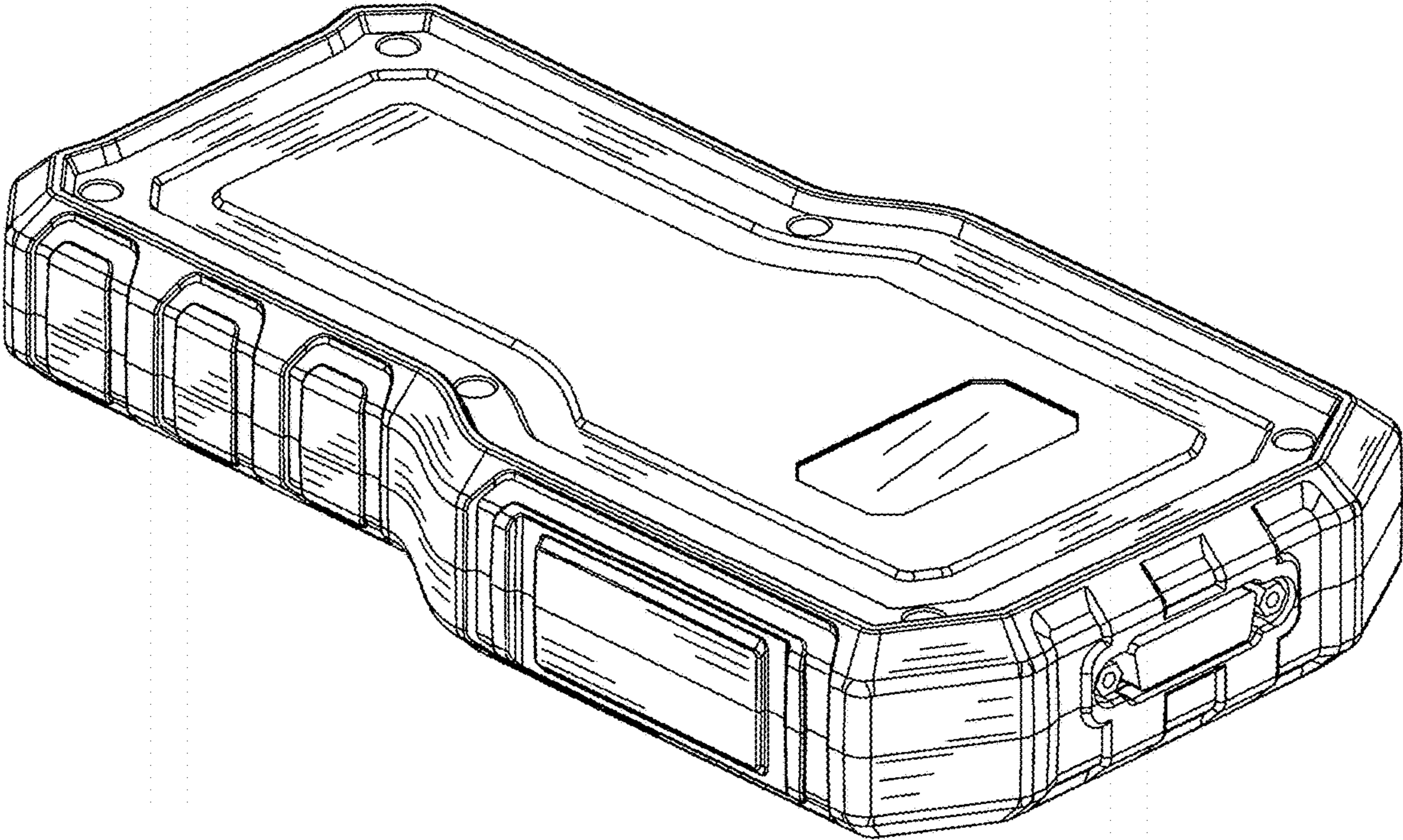


FIG.8