



US00D926608S

(12) **United States Design Patent** (10) **Patent No.:** **US D926,608 S**
Thornton et al. (45) **Date of Patent:** **** Aug. 3, 2021**

(54) **ELECTRICAL RECEPTACLE TESTER**

FOREIGN PATENT DOCUMENTS

(71) Applicant: **Brunswick Corporation**, Mettawa, IL (US)

CN 304918273 * 6/2018
CN 305972347 * 4/2020

(Continued)

(72) Inventors: **Karl E. Thornton**, Kewaskum, WI (US); **Joseph A. Schlaikowski**, Milwaukee, WI (US); **Matthew T. Elsner**, Mukwonago, WI (US); **David M. Schneider**, New Berlin, WI (US)

OTHER PUBLICATIONS

Sperry Instruments Store, GFI6302 GFCI Outlet / Receptacle Tester, Standard, Date first available Aug. 24, 2005, [online] retrieved Jan. 26, 2021, available from internet, https://www.amazon.com/Sperry-Instruments-GFI6302-Receptacle-Professional/dp/B000RUL2UU/ref=sr_1_1_sspa?dchild=1&keywords=Electric (Year: 2005).*

(Continued)

(73) Assignee: **Brunswick Corporation**, Mettawa, IL (US)

(**) Term: **15 Years**

Primary Examiner — Keli L Hill

Assistant Examiner — Sara S Sahneh

(21) Appl. No.: **29/721,090**

(22) Filed: **Jan. 17, 2020**

(51) **LOC (13) Cl.** **10-05**

(52) **U.S. Cl.**
USPC **D10/75; D13/138.2**

(74) *Attorney, Agent, or Firm* — Andrus Intellectual Property Law, LLP

(58) **Field of Classification Search**
USPC D10/46, 61, 70-80, 52, 53, 65, 69; 324/508, 114, 133, 156, 556, 555, 72.5, 324/115, 149; D13/133, 137.1, 137.2, D13/138.1, 138.2

(57) **CLAIM**

The ornamental design for an electrical receptacle tester, as shown and described.

CPC G01R 31/041; G01R 31/67; G01R 31/50; G01R 31/04; G01R 31/02; G01R 31/52; G01R 31/54; G01R 19/145; G01R 31/69; G01R 1/06788; G01R 31/024; G01R 31/025; G01R 31/3646; G01R 31/3647; G01R 31/378; G01R 31/392; H05K 5/0047; G06F 3/0412; G06F 3/04817; G06F 3/04842; G06F 3/0485

DESCRIPTION

FIG. 1 is a front perspective view of an electrical receptacle tester according to our new and ornamental design; FIG. 2 is a right side view thereof; FIG. 3 is a left side view thereof; FIG. 4 is front view thereof; FIG. 5 is a rear view thereof; FIG. 6 is top view thereof; and, FIG. 7 is a bottom view thereof.

The evenly broken lines in the embodiment of the electrical receptacle tester depict portions of the electrical receptacle tester that form no part of the claimed design.

See application file for complete search history.

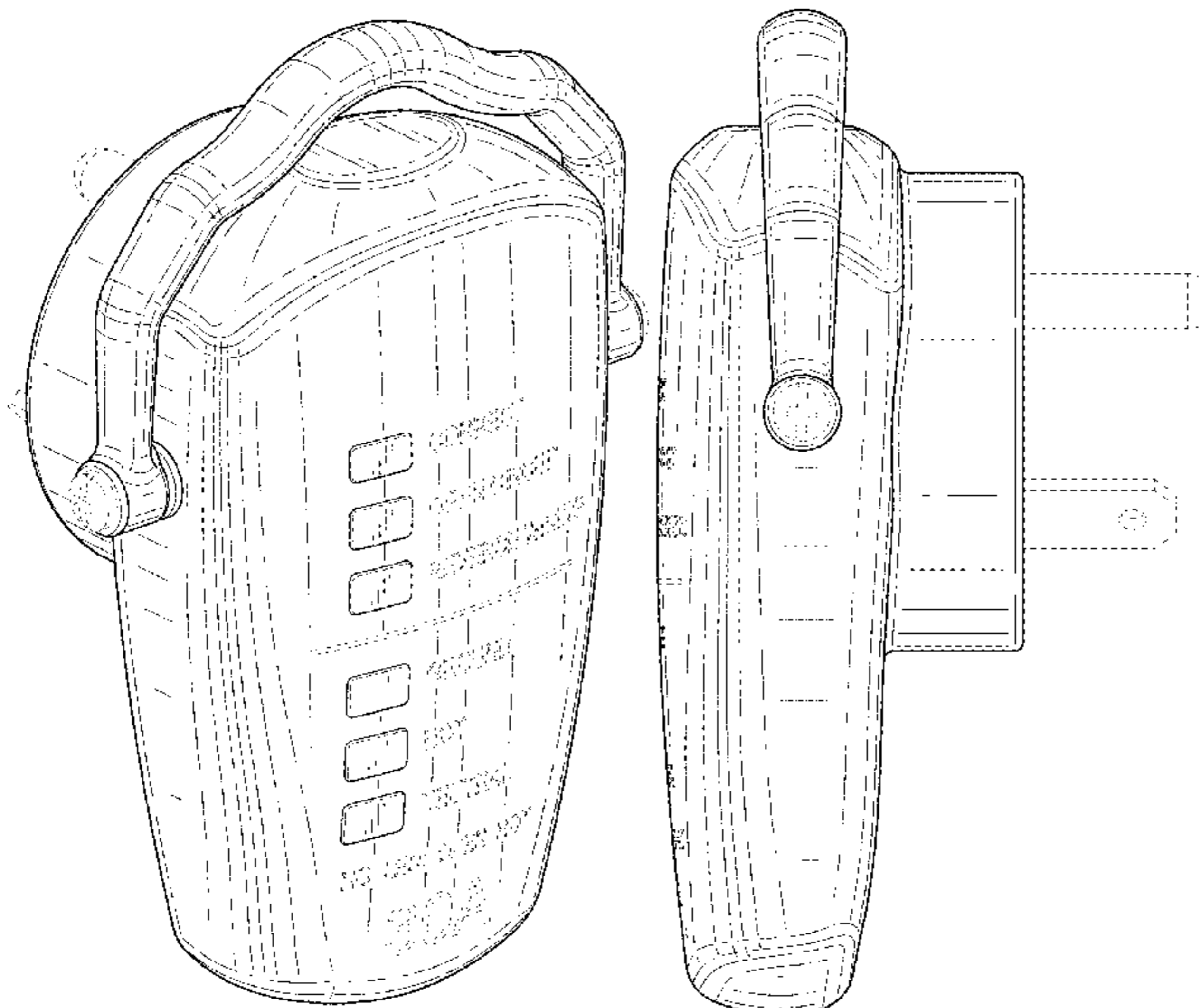
(56) **References Cited**

U.S. PATENT DOCUMENTS

D352,667 S * 11/1994 Chen D10/40
D363,680 S * 10/1995 Shan D10/75
6,072,317 A 6/2000 Mackenzie

(Continued)

1 Claim, 6 Drawing Sheets



(56)

References Cited

U.S. PATENT DOCUMENTS

6,731,217 B1 * 5/2004 Warner G01R 31/52
 340/650
 D587,150 S * 2/2009 Mertens D10/65
 D676,766 S * 2/2013 Nishijima D10/46
 8,866,485 B1 * 10/2014 Lacey G01R 31/69
 324/508
 D727,185 S * 4/2015 Aromin D10/78
 D735,136 S * 7/2015 Aromin D13/138.2
 D816,614 S * 5/2018 An D13/137.1
 D819,631 S * 6/2018 Matsumiya D14/357
 D880,426 S * 4/2020 Aromin D13/138.2
 2002/0135349 A1 * 9/2002 Steber G01R 1/06788
 324/72.5
 2004/0174173 A1 9/2004 Elms et al.
 2005/0275409 A1 12/2005 Mason et al.
 2006/0132143 A1 6/2006 Sears et al.
 2009/0045817 A1 2/2009 Savicki, Jr. et al.
 2016/0327601 A1 11/2016 Brockman et al.

FOREIGN PATENT DOCUMENTS

CN 306260942 * 8/2020
 CN 306173943 * 11/2020

EM 008041735-0003 * 7/2020
 EM 008041743-0003 * 7/2020
 KR 300885363.0000 * 3/2016

OTHER PUBLICATIONS

Progressive Industries, 50A RV Receptacle Tester, Date first available May 9, 2020, [online]retrieved Jan. 26, 2021, available from internet, https://www.amazon.com/Progressive-Industries-Receptacle-Tester-Black/dp/B088D2JVN4/ref=sr_1_30?dchild=1&keywords=E (Year: 2021).*

MESTEK Store, Socket Tester GFCI Outlet Receptacle Tester MESTEK Automatic Electrical Power Circuit, Date first available Jul. 1, 2019, [online]retrieved Jan. 26, 2021, available from internet, https://www.amazon.com/Receptacle-MESTEK-Automatic-Electrical-Polarity/dp/B07TWFD2RK/ref=sr_1_7?dchild=1&keywor (Year: 2019).*

* cited by examiner

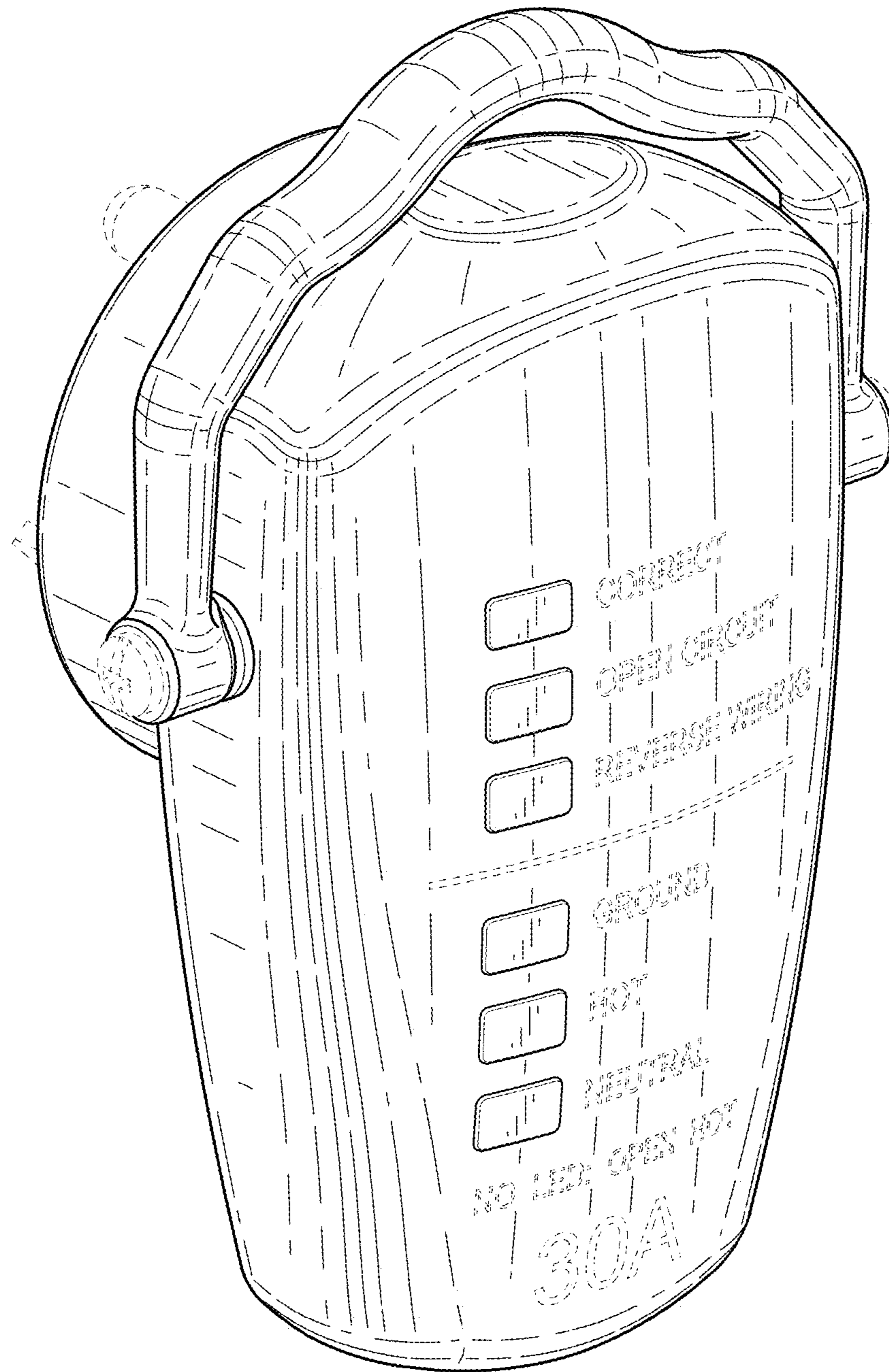


FIG. 1

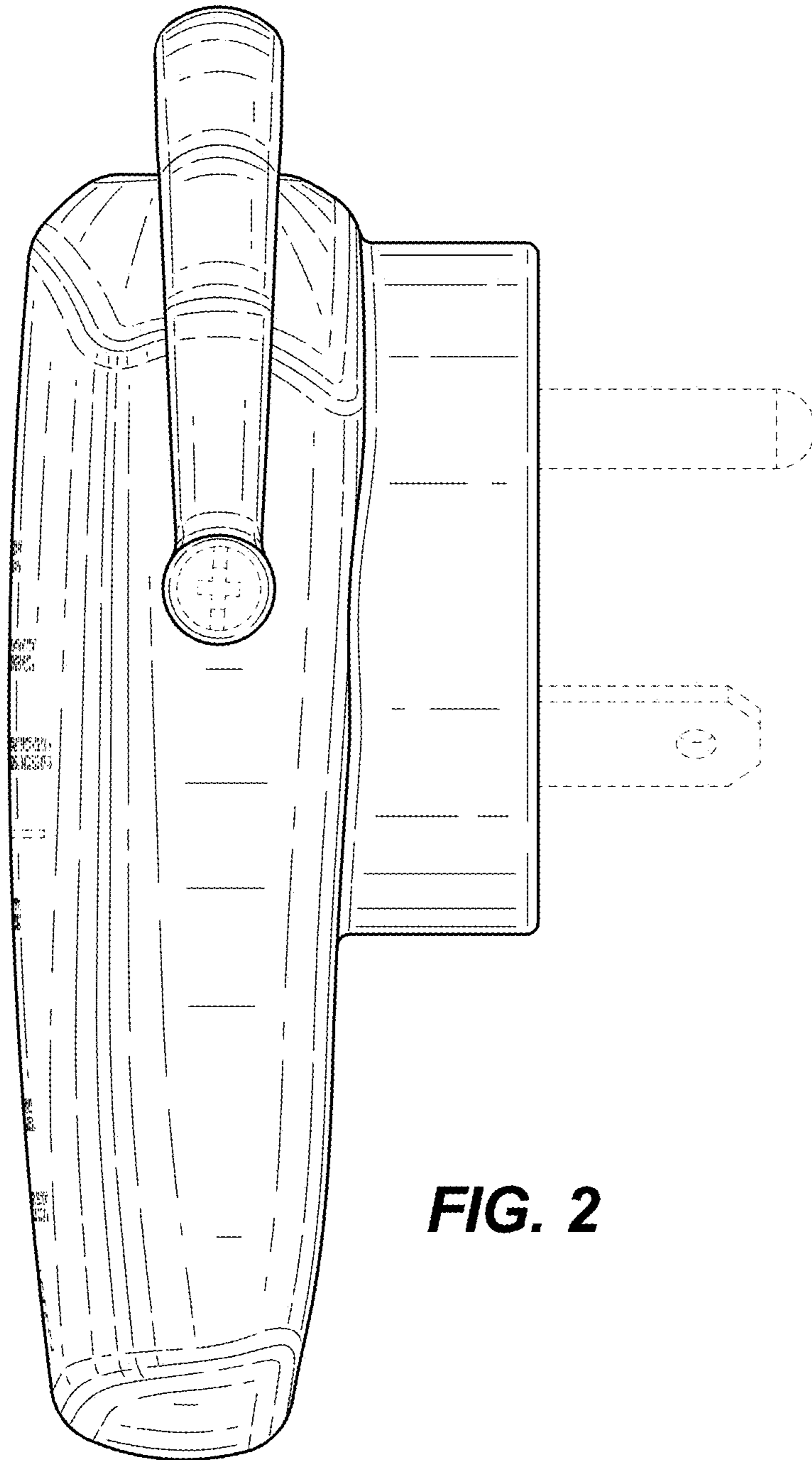


FIG. 2

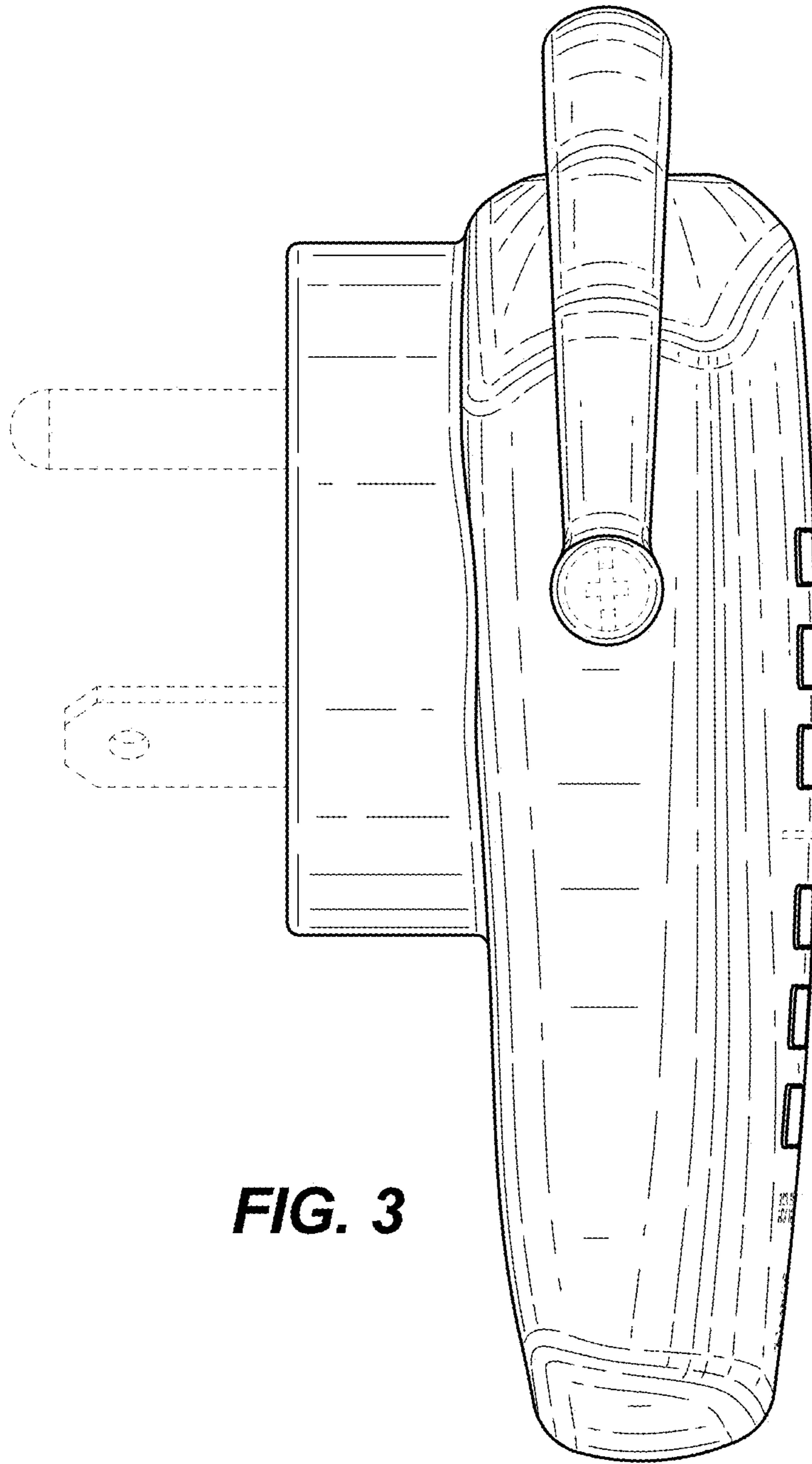


FIG. 3

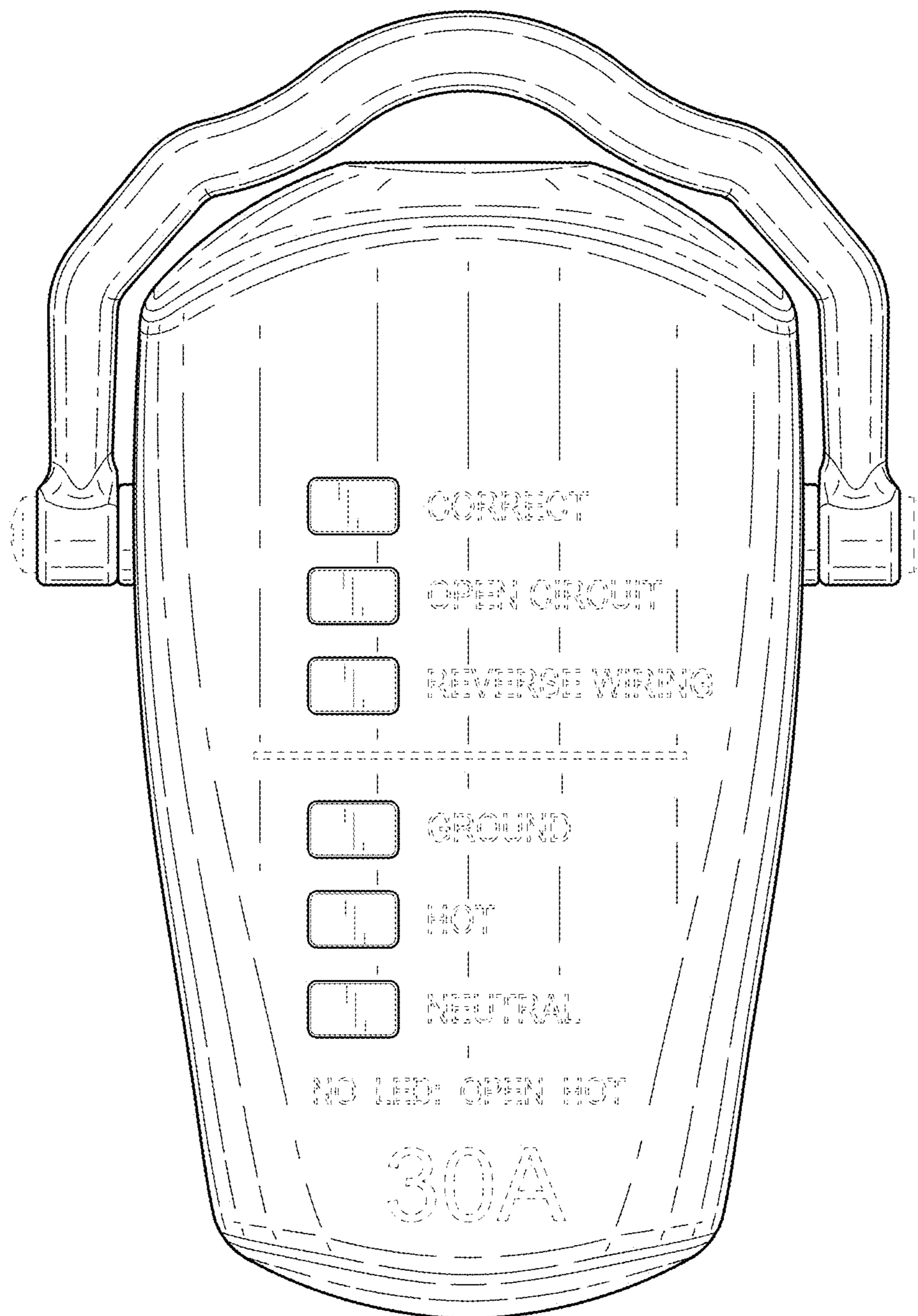


FIG. 4

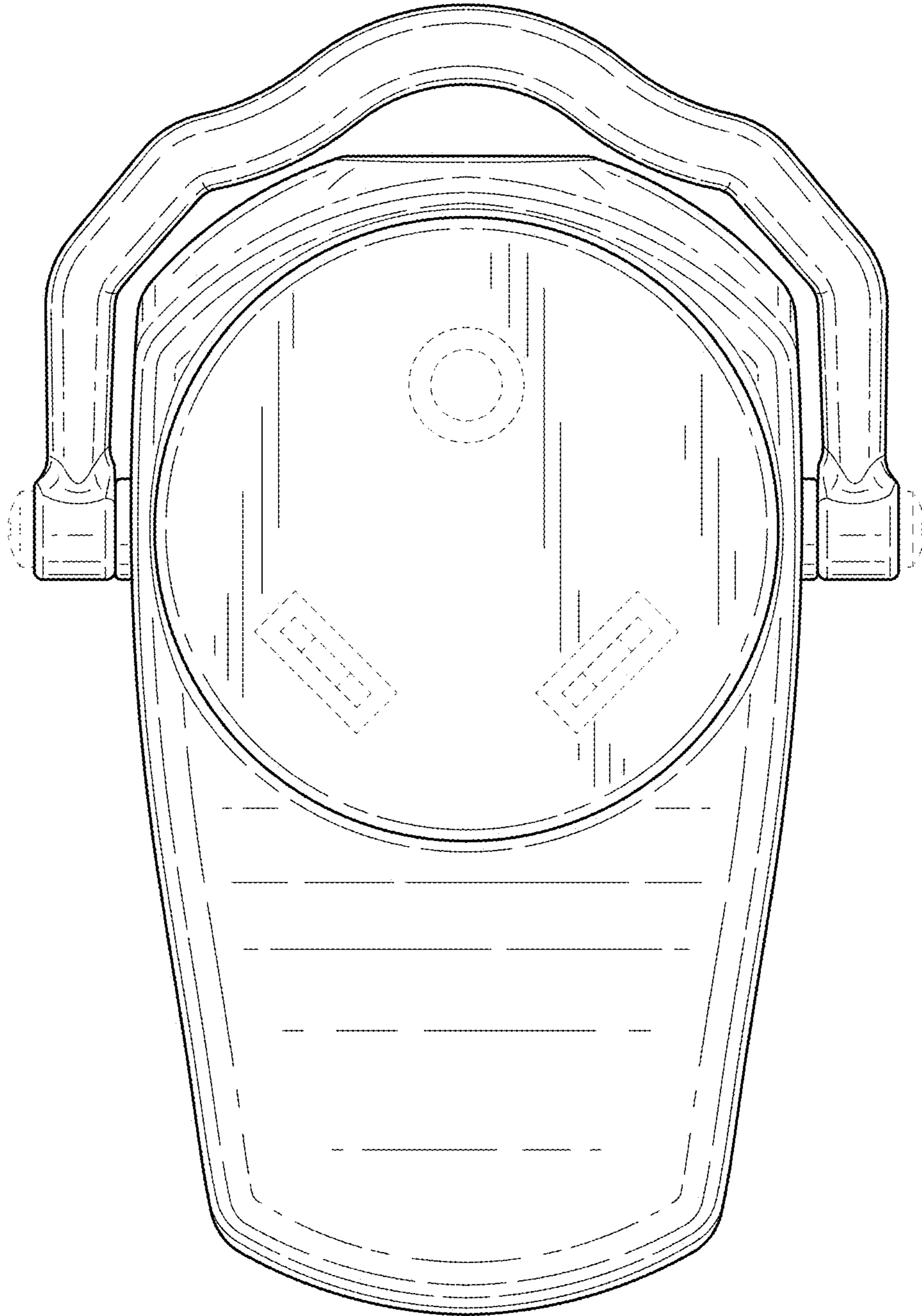


FIG. 5

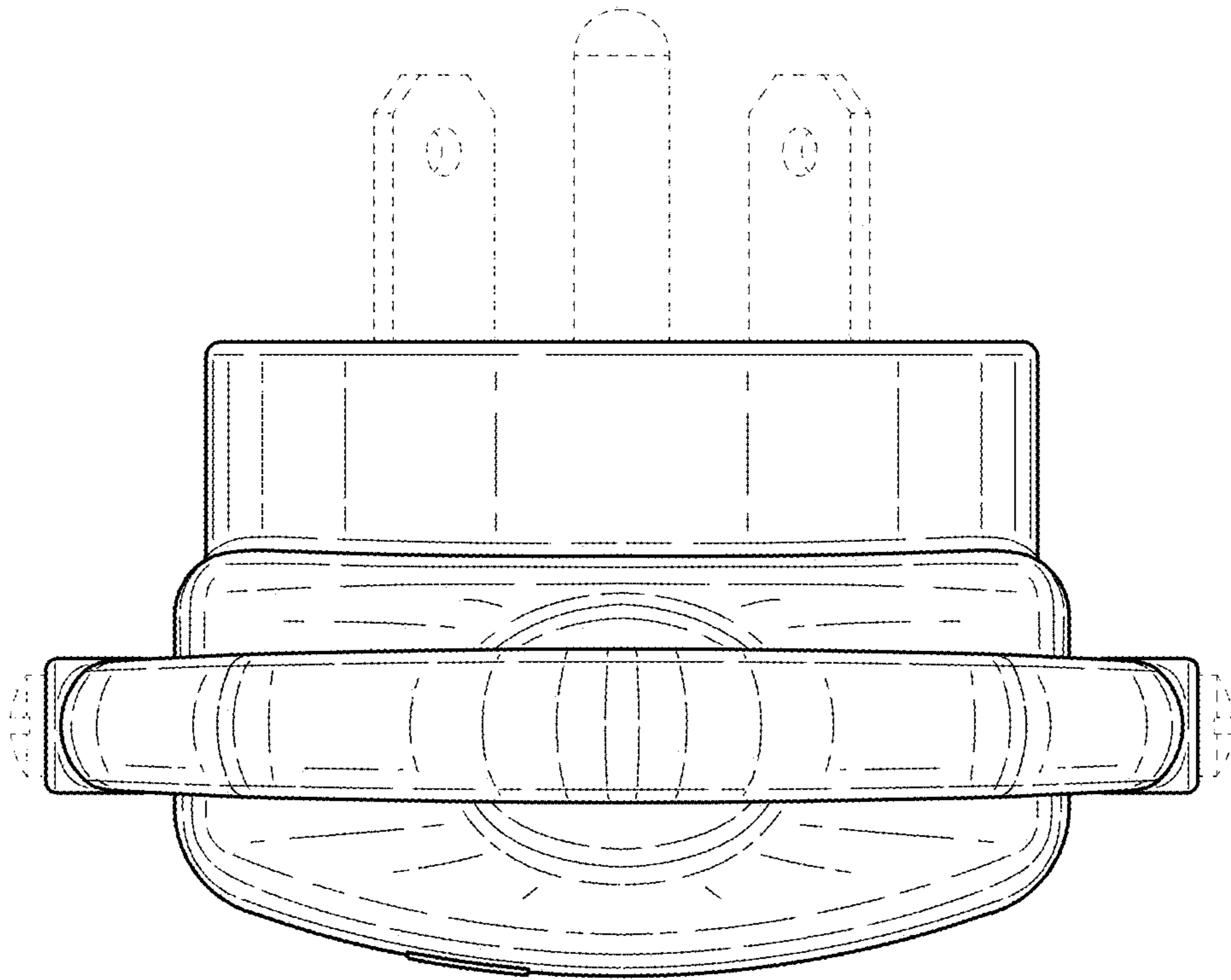


FIG. 6

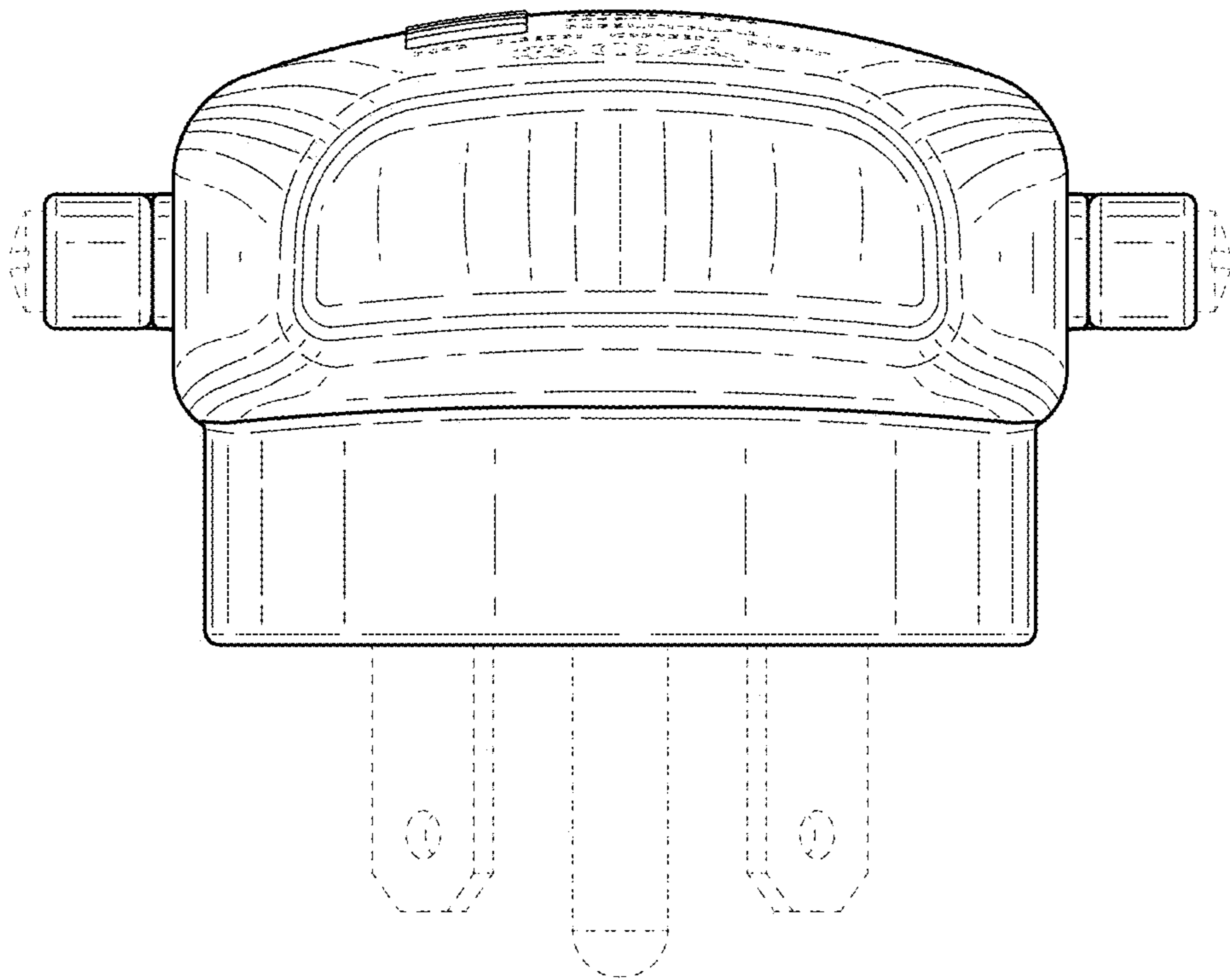


FIG. 7