



US00D926606S

(12) **United States Design Patent** (10) **Patent No.:** **US D926,606 S**
Nyhart et al. (45) **Date of Patent:** **** Aug. 3, 2021**

(54) **RANGEFINDER**
(71) Applicant: **Bushnell Inc.**, Overland Park, KS (US)
(72) Inventors: **Scott O. Nyhart**, Shawnee, KS (US);
John DeCastro, Overland Park, KS (US); **Craig Barez**, Temecula, CA (US)
(73) Assignee: **BUSHNELL INC.**, Overland Park, KS (US)

5,926,260 A 7/1999 Dunne et al.
5,953,109 A 9/1999 Lai et al.
D417,679 S 12/1999 Cross et al.
6,023,322 A 2/2000 Bamberger
6,029,121 A 2/2000 Stashko
6,073,352 A 6/2000 Zykan et al.
6,108,071 A 8/2000 Landry et al.
6,133,992 A 10/2000 Tanaka et al.
6,144,308 A 11/2000 Dunne
6,171,199 B1 1/2001 Cohodas et al.

(Continued)

(**) Term: **15 Years**

FOREIGN PATENT DOCUMENTS

(21) Appl. No.: **29/624,491**

WO WO2016030923 3/2016
WO WO2016030924 3/2016

(22) Filed: **Nov. 1, 2017**

(Continued)

(51) **LOC (13) Cl.** **10-04**

(52) **U.S. Cl.**

USPC **D10/70**

(58) **Field of Classification Search**

USPC D22/108-109; D16/220; D14/129;
D10/70

CPC .. F41G 3/06; F41G 1/36; G02B 23/14; G01B
11/026

See application file for complete search history.

OTHER PUBLICATIONS

“Bushnell 201835 Hybrid Golf Laser Rangefinder + GPS” [online],
Bushnell. [Product first available on Apr. 16, 2018], Retrieved from
the Internet: <<https://www.amazon.com/dp/B07B9NSBB6/>>.*

(Continued)

Primary Examiner — Mojtaba Tehrani
(74) *Attorney, Agent, or Firm* — Walter M. Egbert, III;
Gerard M. Donovan; Reed Smith LLP

(56) **References Cited**

U.S. PATENT DOCUMENTS

4,136,394 A 1/1979 Jones et al.
5,046,839 A 9/1991 Krangle
5,262,837 A 11/1993 Shyy
5,283,732 A 2/1994 Mauritz
5,311,271 A 5/1994 Hurt et al.
5,364,093 A 11/1994 Huston et al.
5,616,903 A 4/1997 Springer
5,623,335 A 4/1997 Bamberger
5,652,651 A 7/1997 Dunne
5,703,678 A 12/1997 Dunne
5,810,680 A 9/1998 Lobb et al.
5,898,484 A 4/1999 Harris
5,903,996 A 5/1999 Morley
5,926,259 A 7/1999 Bamberger et al.

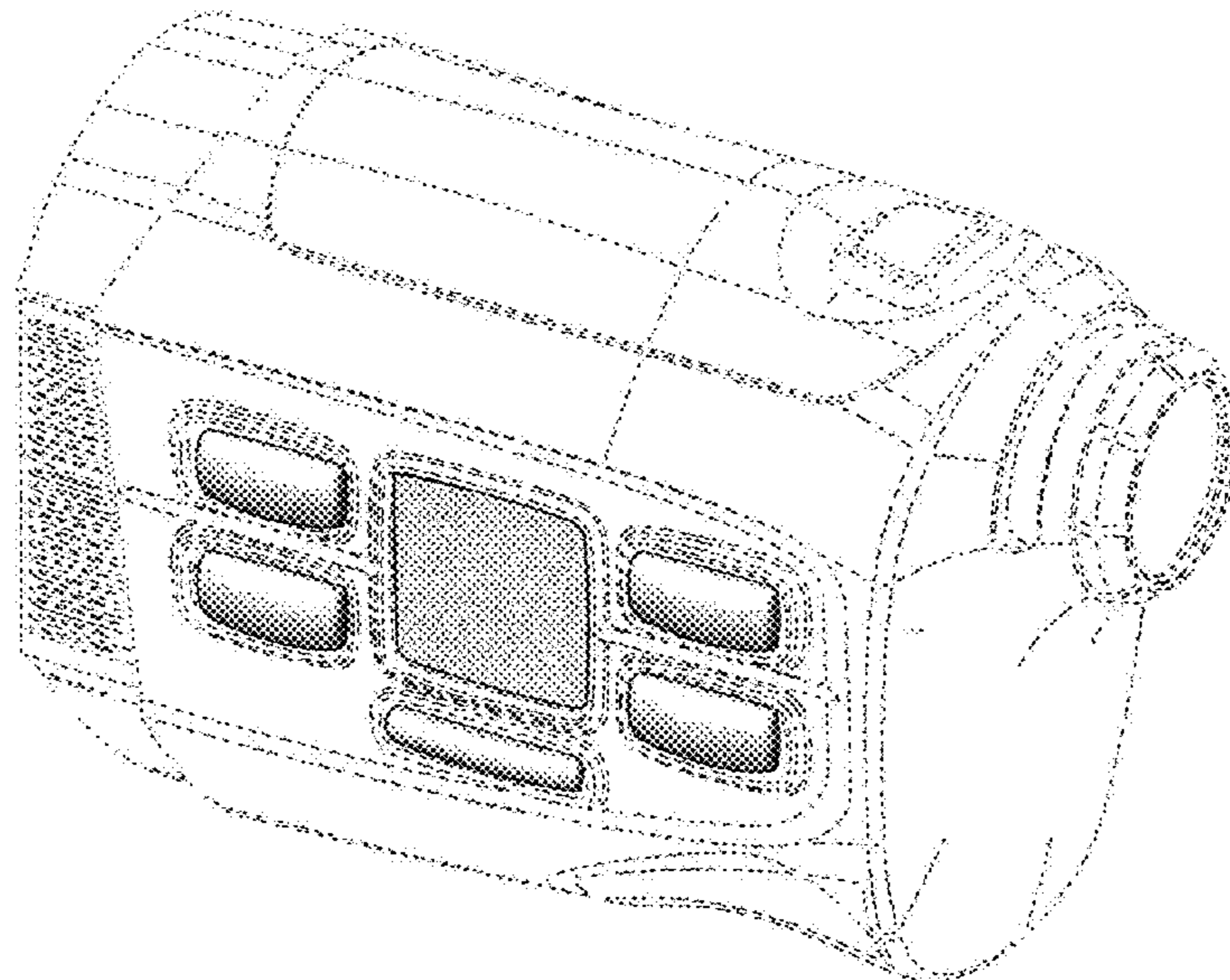
(57) **CLAIM**

We claim the ornamental design for a rangefinder, as shown
and described.

DESCRIPTION

FIG. 1 is a right side view of the rangefinder; and,
FIG. 2 is a perspective view of the rangefinder of FIG. 1.
Views not shown in the drawings form no part of the claimed
design.
Broken lines shown in the drawings form no part of the
claimed design.

1 Claim, 2 Drawing Sheets



(56)

References Cited

U.S. PATENT DOCUMENTS

6,252,655 B1 6/2001 Tanaka
 6,263,279 B1 7/2001 Bianco et al.
 D453,301 S 2/2002 Vermillion
 D458,555 S 6/2002 Vermillion
 6,433,860 B1 8/2002 Ohishi
 6,456,938 B1 9/2002 Barnard
 D469,413 S * 1/2003 To D14/126
 D470,785 S 2/2003 Vermillion
 6,529,827 B1 3/2003 Beason et al.
 6,583,860 B2 6/2003 Haga
 D485,555 S 1/2004 Yoneda
 6,683,558 B1 1/2004 Vermillion
 6,717,654 B1 4/2004 Rajchel et al.
 6,819,495 B2 11/2004 Shani et al.
 6,862,084 B2 3/2005 Nagata et al.
 6,873,406 B1 3/2005 Hines et al.
 6,934,012 B2 8/2005 Inaba et al.
 6,978,676 B2 12/2005 Munro
 D519,045 S 4/2006 Wu
 7,053,992 B2 * 5/2006 LaBelle G01C 3/08
 356/5.01
 D525,544 S 7/2006 Nojima
 7,118,498 B2 10/2006 Meadows et al.
 D538,317 S 3/2007 Mullett et al.
 D544,897 S 6/2007 Mullett et al.
 7,239,377 B2 7/2007 Vermillion et al.
 7,349,073 B2 3/2008 Dunne
 7,414,707 B2 8/2008 LaBelle et al.
 7,508,497 B2 3/2009 LaBelle
 D590,787 S * 4/2009 Vitito D14/126
 D590,790 S * 4/2009 Liang D14/129
 7,535,553 B2 5/2009 Vermillion et al.
 D594,431 S * 6/2009 Vitito D14/129
 7,571,052 B2 8/2009 Liu
 7,658,031 B2 2/2010 Cross et al.
 D611,848 S 3/2010 Liu et al.
 7,684,017 B2 3/2010 Hocknell et al.
 7,713,148 B2 5/2010 Sweeney
 7,859,650 B2 12/2010 Vermillion et al.
 7,898,647 B2 3/2011 Sakai
 7,922,606 B2 4/2011 Balardeta et al.
 7,942,762 B2 5/2011 Balardeta et al.
 7,973,912 B2 7/2011 Petrov et al.
 8,018,580 B2 9/2011 Luo et al.
 8,020,769 B2 9/2011 Papale et al.
 D647,159 S * 10/2011 Kobayashi D22/109
 8,040,758 B1 10/2011 Dickinson
 8,070,628 B2 12/2011 Denton et al.
 8,070,629 B2 12/2011 Balardeta et al.
 8,072,583 B2 12/2011 Hata
 8,081,298 B1 12/2011 Cross
 8,081,299 B2 12/2011 Kim et al.
 8,081,300 B2 12/2011 Jin et al.
 8,172,702 B2 5/2012 Meadows et al.
 8,240,186 B2 8/2012 Dunne
 8,282,493 B2 10/2012 Román et al.
 8,314,923 B2 11/2012 York et al.
 8,355,869 B2 1/2013 Balardeta et al.
 8,384,884 B2 2/2013 Kaneko
 8,411,257 B2 4/2013 Dunne
 8,477,290 B2 7/2013 Yamada
 D688,575 S * 8/2013 Kokkonen D10/65
 8,529,380 B1 9/2013 Hubenthal et al.
 8,599,362 B2 12/2013 Tregellas et al.
 8,605,259 B2 12/2013 Yamada
 8,638,423 B2 1/2014 Yamada
 8,708,841 B2 4/2014 Doherty et al.
 8,786,837 B2 7/2014 Ohmuro

8,797,511 B2 8/2014 Tiefenthaler et al.
 8,868,342 B2 10/2014 Balloga
 D716,858 S 11/2014 Kobayashi
 8,909,470 B2 12/2014 Denk
 8,959,823 B2 2/2015 Peters et al.
 9,030,651 B2 5/2015 Liu
 9,038,901 B2 5/2015 Paterson et al.
 9,068,795 B2 6/2015 Roman et al.
 9,095,761 B2 8/2015 Trenkle et al.
 9,127,910 B2 9/2015 Volfson
 9,151,603 B2 10/2015 Dunne
 9,197,763 B2 11/2015 Baker et al.
 9,212,868 B2 12/2015 Roman et al.
 9,213,101 B2 12/2015 Dunne
 D747,432 S * 1/2016 Cheng D22/109
 D750,508 S * 3/2016 Bowman D10/65
 9,274,202 B2 3/2016 Deliwala
 9,295,895 B2 3/2016 Doherty et al.
 9,322,920 B2 4/2016 Lee et al.
 9,335,415 B2 5/2016 Jungwirth
 9,383,448 B2 7/2016 Park
 9,400,326 B2 7/2016 Dunne
 9,429,653 B2 8/2016 Volfson
 9,482,489 B2 11/2016 Peters et al.
 9,494,686 B2 11/2016 Maryfield et al.
 9,518,804 B2 12/2016 Hamilton
 9,535,162 B2 1/2017 Park
 D812,026 S * 3/2018 Margis D14/126
 D823,147 S 7/2018 Bainter et al.
 D842,723 S * 3/2019 Nyhart D10/70
 D870,174 S * 12/2019 Ueno D16/132
 D895,458 S * 9/2020 Nyhart D10/70
 2002/0093639 A1 7/2002 Haga
 2002/0140632 A1 * 10/2002 Shah B60R 11/0235
 345/5
 2004/0070748 A1 4/2004 Inaba et al.
 2005/0055119 A1 3/2005 Yen et al.
 2005/0221905 A1 10/2005 Dunne et al.
 2007/0197314 A1 8/2007 York et al.
 2008/0235026 A1 9/2008 Garratt et al.
 2010/0220309 A1 9/2010 Zhu et al.
 2011/0022314 A1 1/2011 Balardeta et al.
 2012/0105283 A1 * 5/2012 Nyhart G01S 7/4813
 342/357.31
 2012/0109577 A1 * 5/2012 Nyhart G01S 17/10
 702/159
 2013/0253820 A1 9/2013 Denk
 2013/0335724 A1 12/2013 Mygland et al.
 2014/0063261 A1 3/2014 Betensky et al.
 2014/0191902 A1 7/2014 Kim
 2015/0034722 A1 2/2015 Roman et al.
 2015/0055119 A1 2/2015 Hamilton
 2015/0070649 A1 3/2015 Mingo
 2015/0362588 A1 12/2015 Ohmuro et al.
 2017/0010359 A1 1/2017 Jung
 2017/0031030 A1 2/2017 Verdugo

FOREIGN PATENT DOCUMENTS

WO WO2016030925 3/2016
 WO WO2016030926 3/2016

OTHER PUBLICATIONS

“ACPOTEL Golf Rangefinder, 750 Yards Laser Rangefinder with External LCD Display Screen [. . .]” [online], ACPOTEL. [Product first available on Jun. 20, 2020], Retrieved from the Internet: <<https://www.amazon.com/dp/B08BJ9W2SH>>.*

* cited by examiner

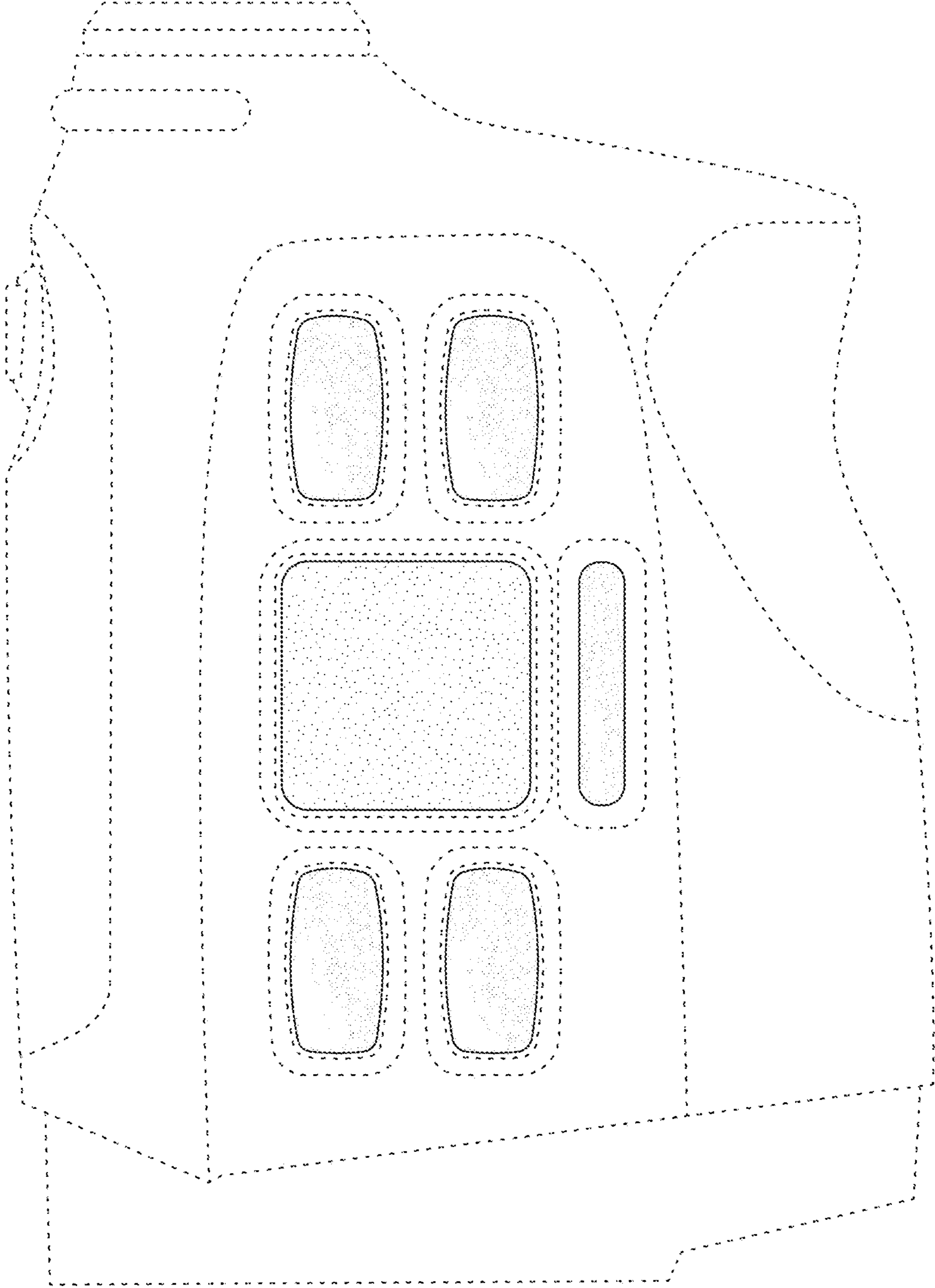


FIG. 1

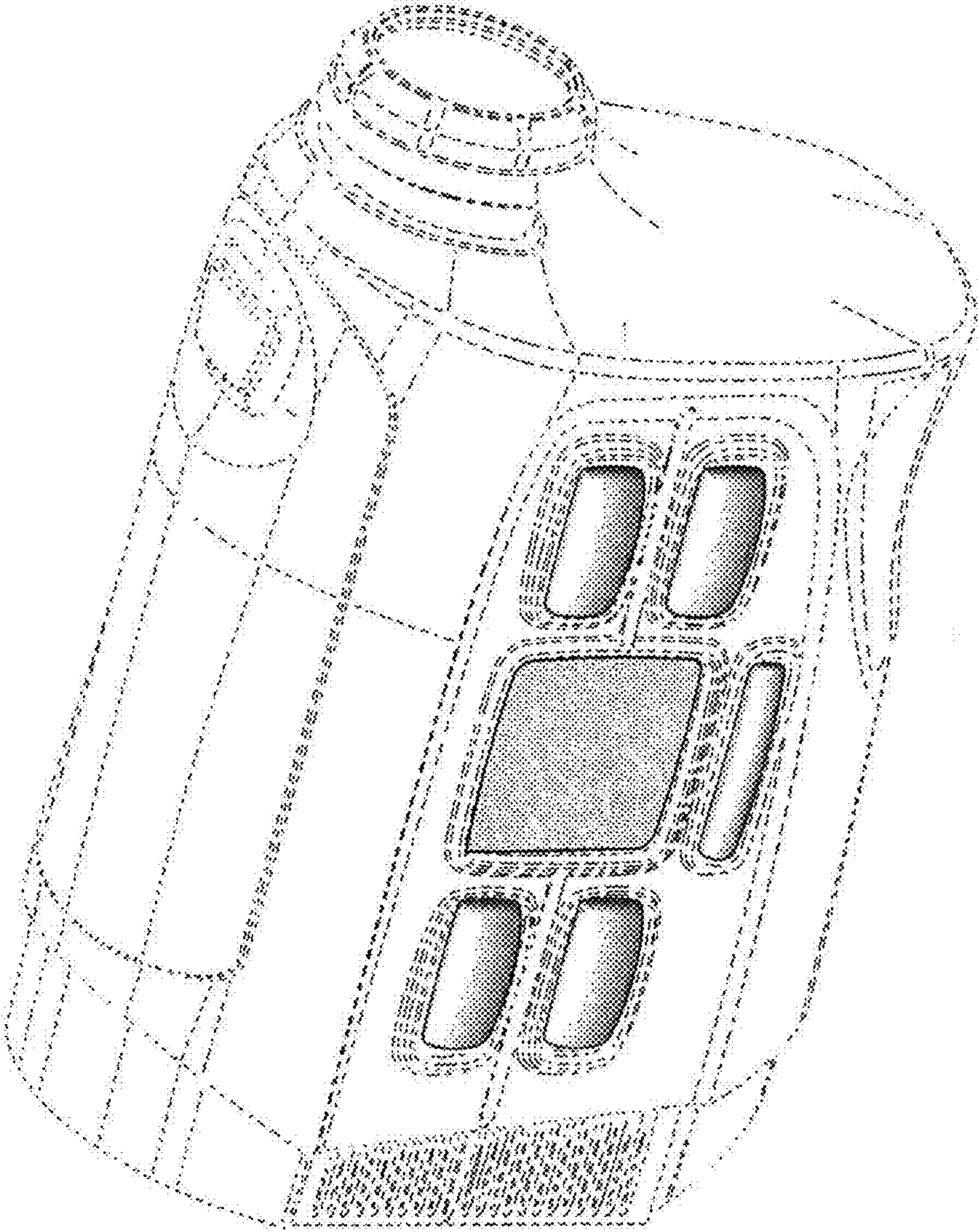


FIG. 2