



US00D926605S

(12) **United States Design Patent** (10) **Patent No.:** **US D926,605 S**  
**Duncan** (45) **Date of Patent:** **\*\* Aug. 3, 2021**

(54) **THREAD GAUGE PUCK**

FOREIGN PATENT DOCUMENTS

(71) Applicant: **Nutpuk LLC**, Wilsonville, OR (US)  
(72) Inventor: **Steven Robert Duncan**, Wilsonville, OR (US)

CN 303428222 \* 11/2015  
JP D1488149 \* 1/2014  
JP D1488506 \* 1/2014

OTHER PUBLICATIONS

(73) Assignee: **NUTPUK LLC**, Wilsonville, OR (US)

Amazon, Pipe Thread Gauge NPT National Standard Taper Piper Thread Identifier—Sizes 1/8-3/4, www.amazon.com/Pipe-Thread-Gauge-NPT-Identifier/dp/B07SIYCWWWS, at least as early as Oct. 21, 2019, 10 pages.

(\*\*) Term: **15 Years**

(Continued)

(21) Appl. No.: **29/710,615**

(22) Filed: **Oct. 24, 2019**

Primary Examiner — Leanne Was-Englehart

(51) **LOC (13) Cl.** ..... **10-04**

(74) *Attorney, Agent, or Firm* — Green, Howard & Mughal LLP; Karen Dana Oster

(52) **U.S. Cl.**  
USPC ..... **D10/64**

(58) **Field of Classification Search**  
USPC ..... D10/46, 61, 64, 74, 102  
CPC . G01B 5/204; G01B 3/34; G01B 3/36; G01B 3/40; G01B 3/48  
See application file for complete search history.

(57) **CLAIM**

The ornamental design for a thread gauge puck, as shown and described.

**DESCRIPTION**

(56) **References Cited**

U.S. PATENT DOCUMENTS

1,447,448 A 3/1923 Walch  
1,881,651 A 10/1932 Judge  
1,905,705 A \* 4/1933 Hartness ..... G01B 3/40  
33/199 R  
2,419,263 A 4/1947 Hohwart  
2,528,431 A 10/1950 Greenberg  
2,852,855 A \* 9/1958 Swanson ..... G01B 3/40  
33/199 R  
3,229,374 A \* 1/1966 Comorau ..... G01B 3/40  
33/199 R  
3,284,913 A 11/1966 Satava  
D492,951 S \* 7/2004 Caluori ..... D10/64  
7,877,882 B2 2/2011 Burr  
7,918,031 B2 4/2011 Wu

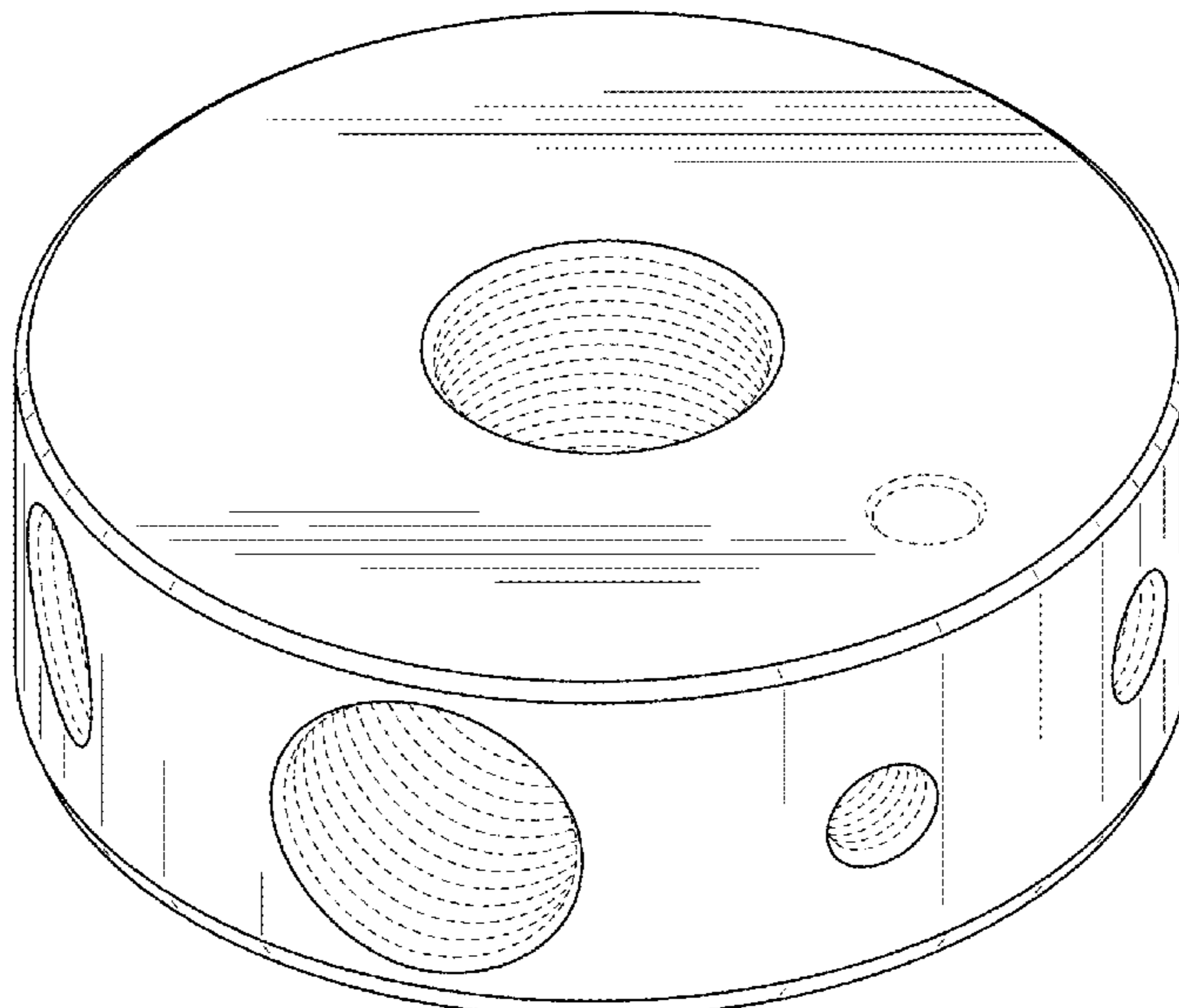
A portion of the disclosure of this patent document contains material to which a claim for copyright and trademark is made. The copyright and trademark owner has no objection to the reproduction of the patent document or the patent disclosure, as it appears in the U.S. Patent Office records, but reserves all other copyright and trademark rights whatsoever.

FIG. 1 is a perspective view of the thread gauge puck of my new design;  
FIG. 2 is a first side view thereof;  
FIG. 3 is a second side view thereof;  
FIG. 4 is a third side view thereof;  
FIG. 5 is a fourth side view thereof;  
FIG. 6 is a top view thereof; and,  
FIG. 7 is a bottom view thereof.

The portions (including the internal threading) of the thread gauge puck in FIGS. 1-7 shown in broken lines are included to show features that form no part of the claimed design.

(Continued)

**1 Claim, 5 Drawing Sheets**



(56)

**References Cited**

U.S. PATENT DOCUMENTS

9,534,881 B2 1/2017 Igarashi  
D804,969 S \* 12/2017 McRae ..... D10/64  
10,145,780 B2 12/2018 Igarashi  
2005/0241166 A1 \* 11/2005 Porter ..... G01B 3/40  
33/501.19  
2010/0281700 A1 \* 11/2010 Wu ..... G01B 3/48  
33/199 R  
2014/0299041 A1 \* 10/2014 Igarashi ..... G01B 3/34  
116/208  
2018/0003328 A1 \* 1/2018 Renollett ..... F16L 23/032

OTHER PUBLICATIONS

Axminster, Axminster 4 Piece Universal Thread Gauge Set, [www.axminster.co.uk/axminster-4-piece-universal-thread-gauge-set-102551](http://www.axminster.co.uk/axminster-4-piece-universal-thread-gauge-set-102551), at least as early as Oct. 21, 2019, 4 pages.

Grainger, Showing Results in Category: Screw Pitch Gauges, [www.grainger.com/search](http://www.grainger.com/search), at least as early as Oct. 21, 2019, 15 pages.

Thread Gauge Supply, Bin Mount Bolt Gauge (Check-A-Thread Gauge) Inch, [www.threadgaugesupply.com/product/bin-mount-bolt-gauge-check-a-thread-gauge-inch](http://www.threadgaugesupply.com/product/bin-mount-bolt-gauge-check-a-thread-gauge-inch), at least as early as Oct. 21, 2019, 2 pages.

\* cited by examiner

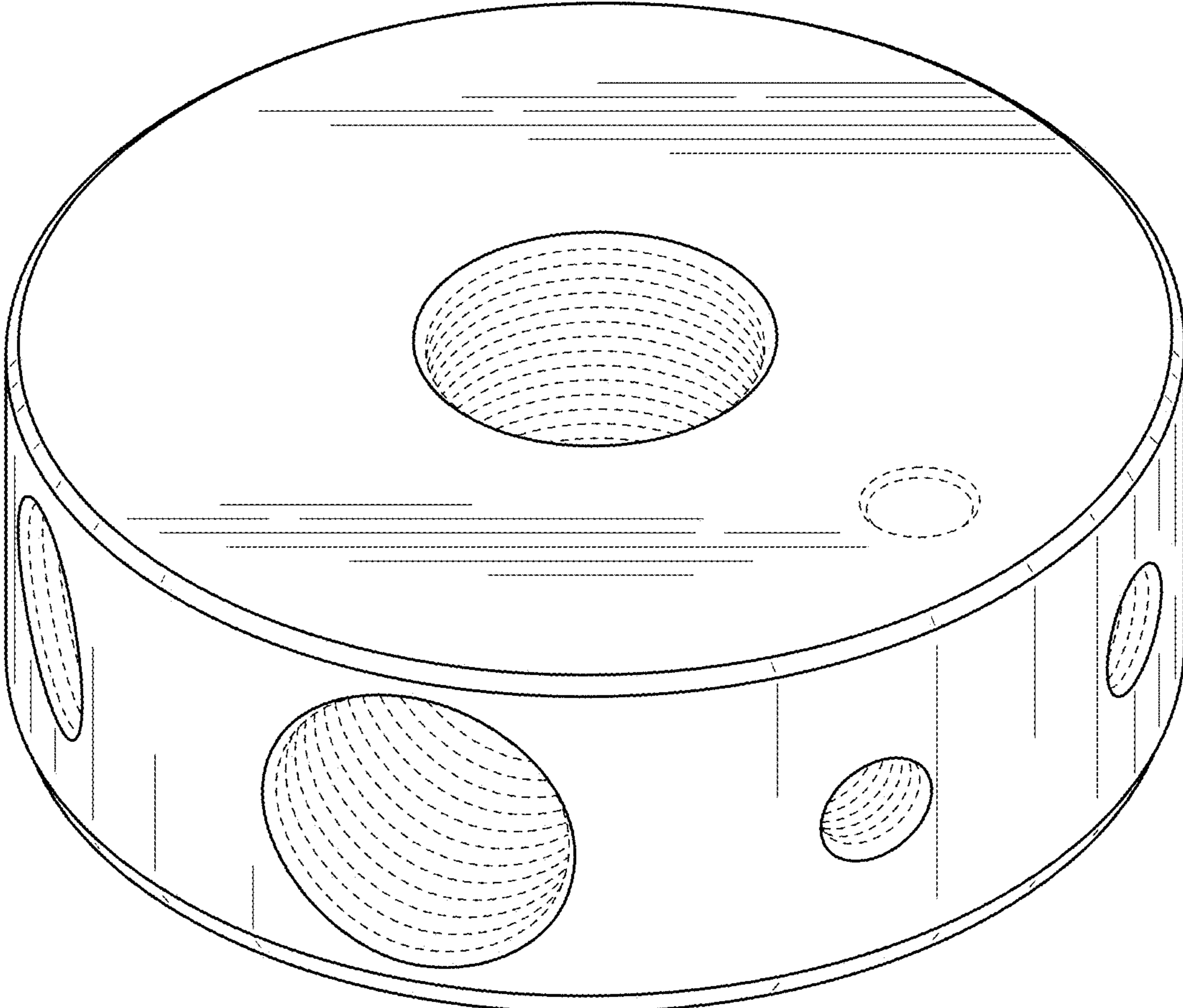


FIG. 1

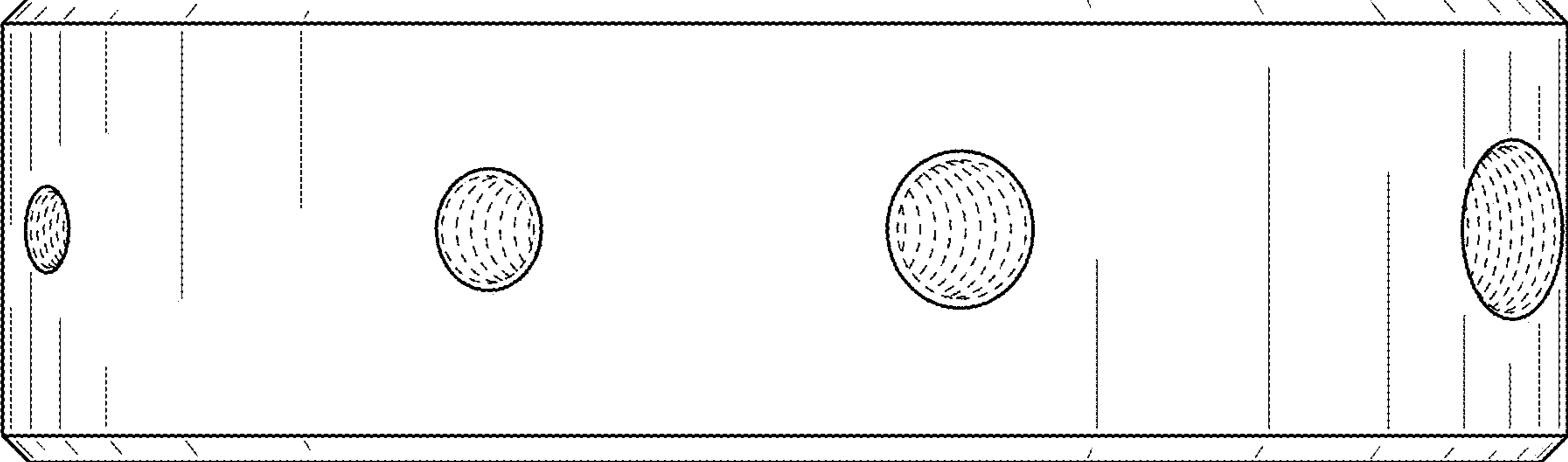


FIG. 2

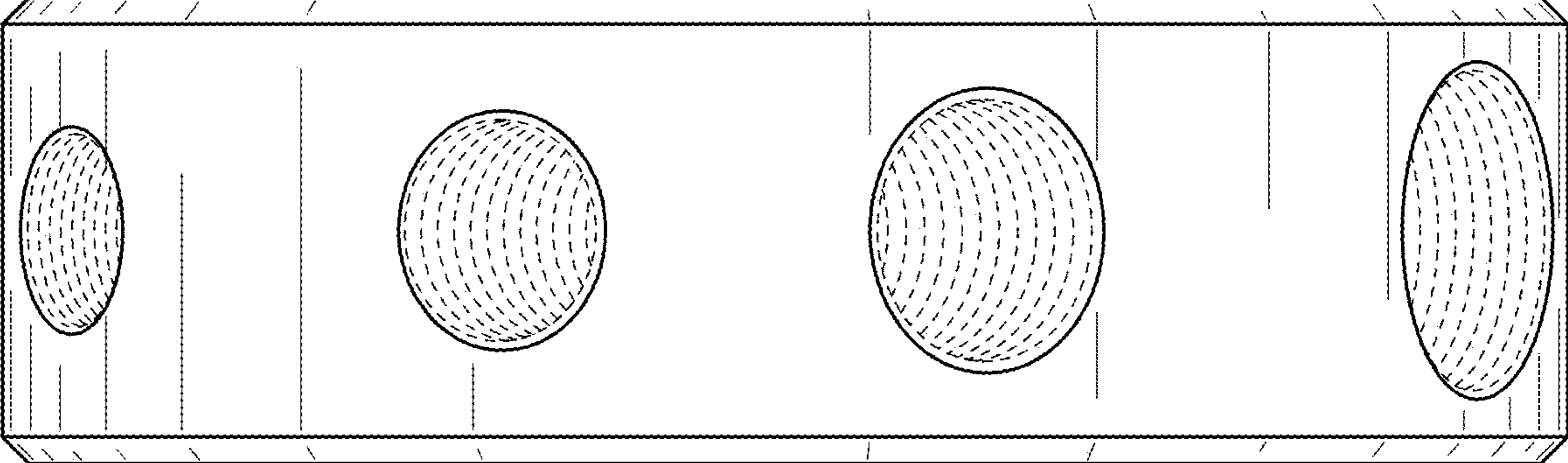


FIG. 3

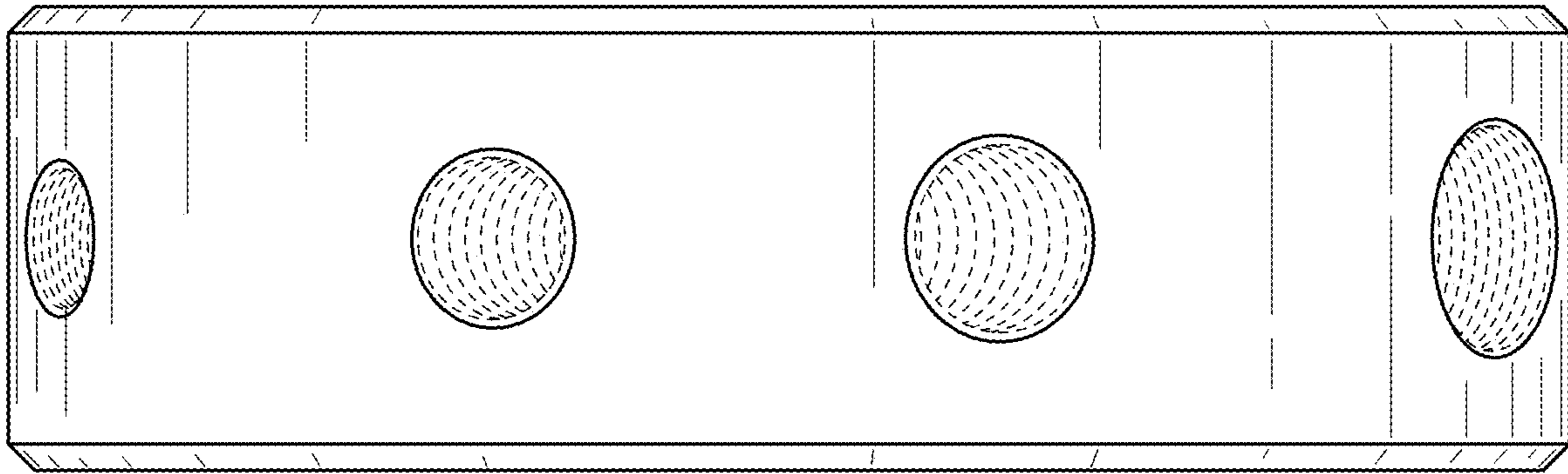


FIG. 4

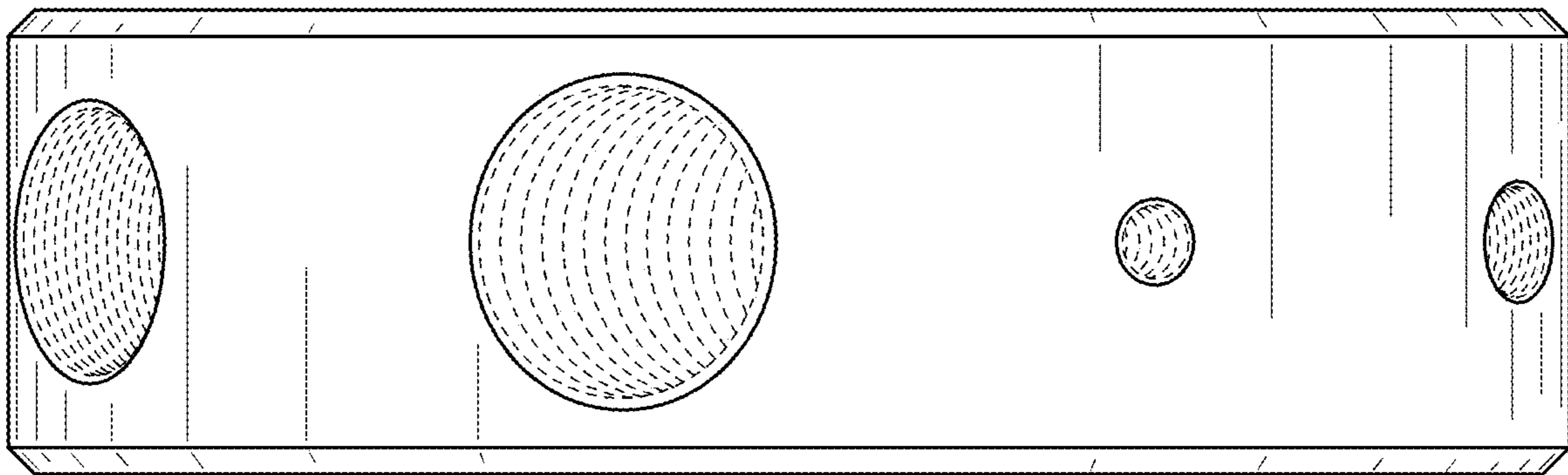


FIG. 5

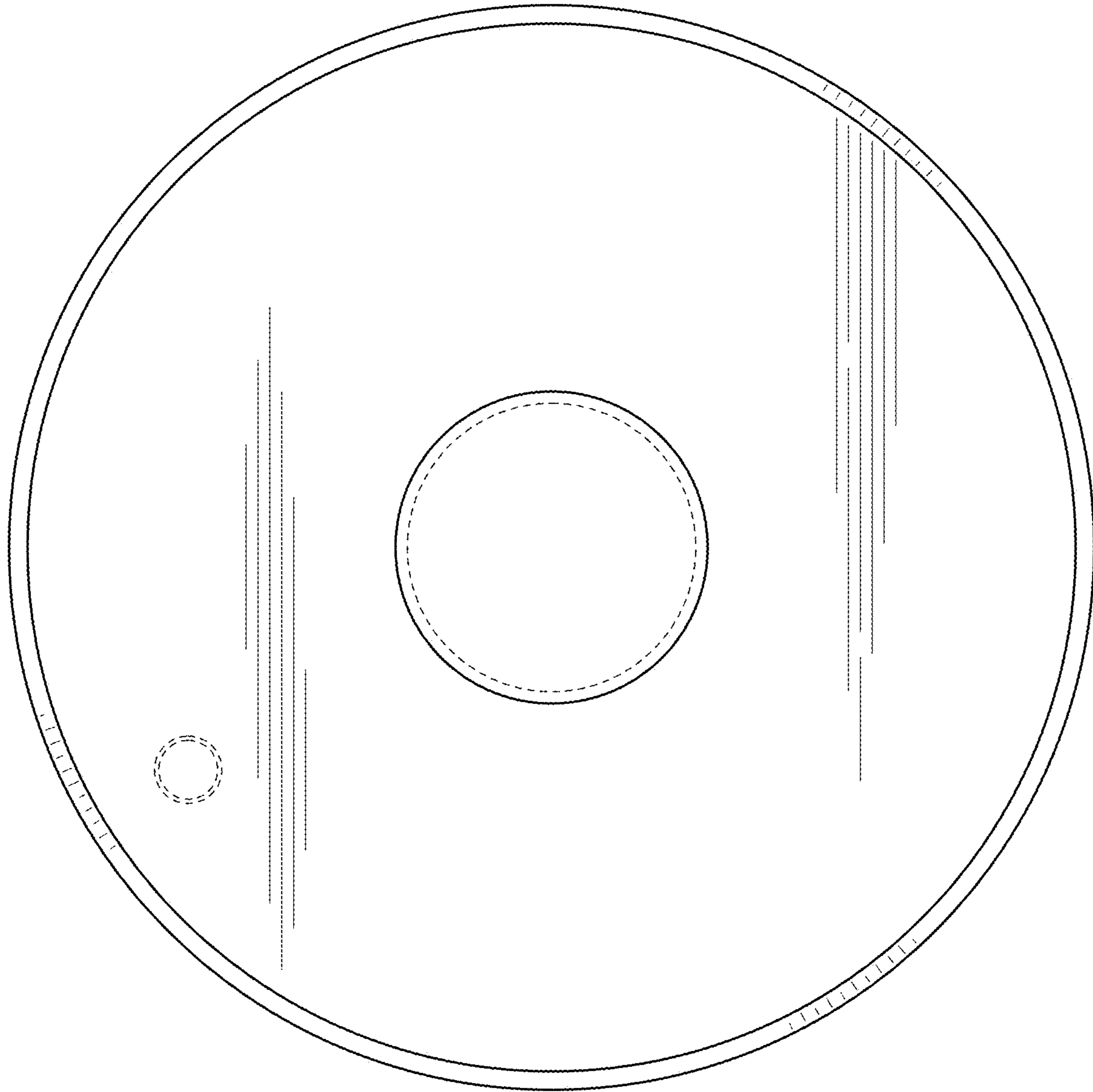


FIG. 6

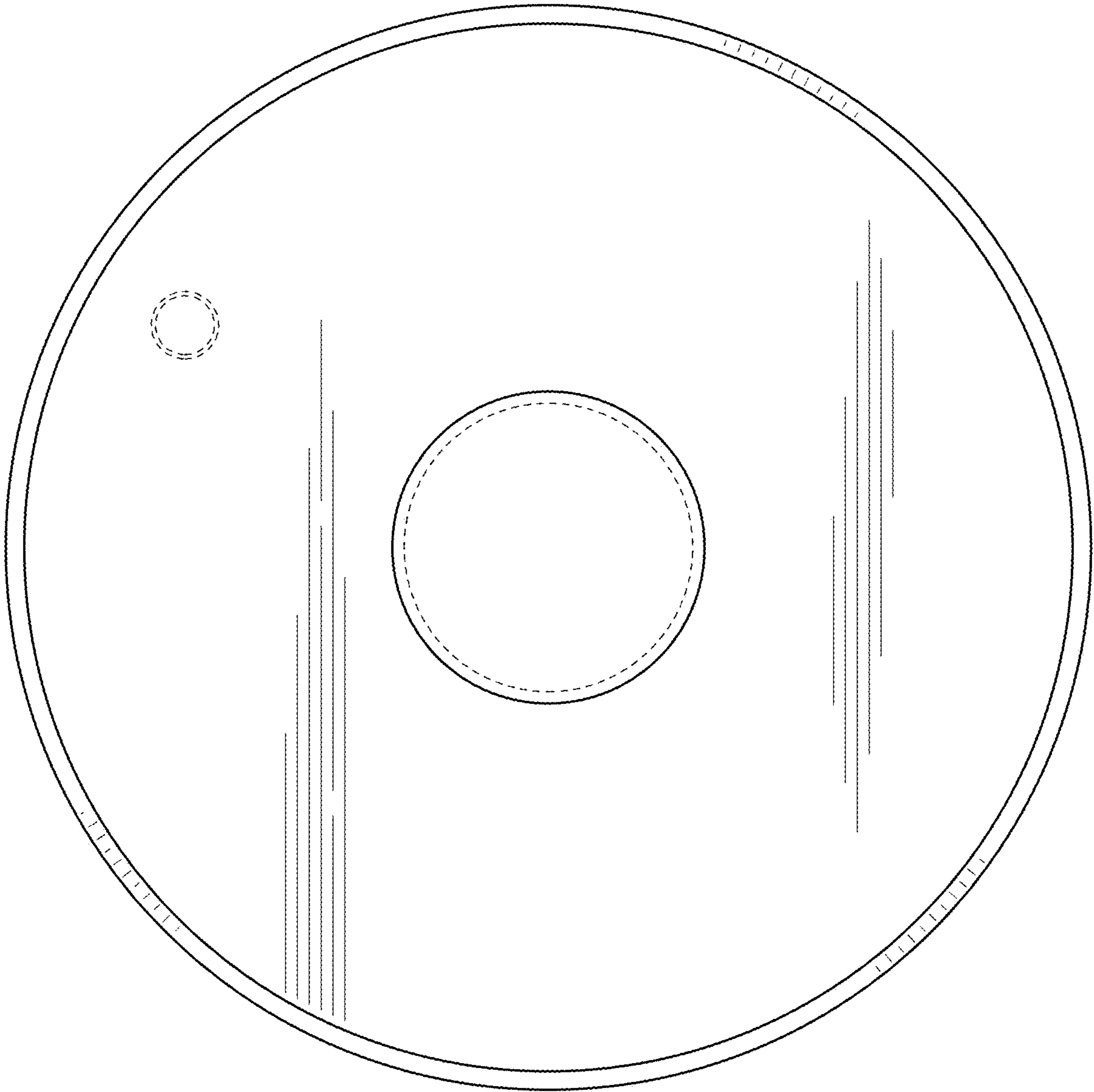


FIG. 7