



US00D926604S

(12) **United States Design Patent** (10) **Patent No.:** **US D926,604 S**
Wang (45) **Date of Patent:** **** Aug. 3, 2021**

(54) **INFRARED THERMOMETER**
(71) Applicant: **BRAV ELECTRONIC TECHNOLOGIES CO., LTD,**
Shenzhen (CN)
(72) Inventor: **Kai Wang,** Shenzhen (CN)
(**) Term: **15 Years**
(21) Appl. No.: **29/720,139**
(22) Filed: **Jan. 10, 2020**
(51) **LOC (13) Cl.** **10-04**
(52) **U.S. Cl.**
USPC **D10/57**
(58) **Field of Classification Search**
USPC D10/46, 52, 57
CPC G01J 5/04; G01J 5/041; G01J 5/042; G01J
5/043; G01J 5/044; G01J 5/045; G01J
5/046; G01J 5/047; G01J 5/048; G01J
5/049; G01J 5/0265; G01K 1/02; G01K
1/022; G01K 1/024; G01K 1/08; G01K
1/083; G01K 1/086; G01K 3/00-14;
G01K 2003/145; G01K 13/002; G01K
13/04
See application file for complete search history.

(56) **References Cited**
U.S. PATENT DOCUMENTS
D445,699 S * 7/2001 Lin D10/57
D460,006 S * 7/2002 Greubel D10/57
D488,395 S * 4/2004 Vu D10/57
D494,479 S * 8/2004 Hsieh D10/57
D664,053 S * 7/2012 Lacotta D10/57
D666,111 S * 8/2012 Lacotta D10/57
D676,770 S * 2/2013 Lacotta D10/57

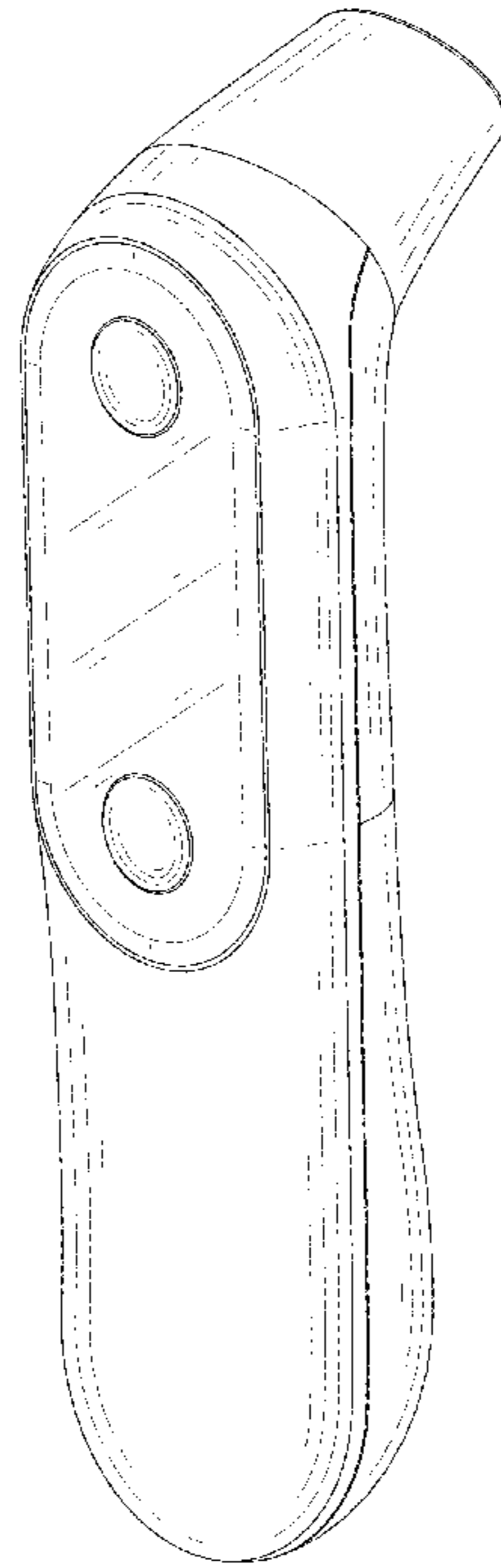
D693,247 S * 11/2013 Juhng D10/57
D795,423 S * 8/2017 Chen D24/133
D804,332 S * 12/2017 Lim D10/57
D820,263 S * 6/2018 Rebello D14/426
D827,457 S * 9/2018 Liu D10/57
D842,137 S * 3/2019 Wang D10/57
D843,242 S * 3/2019 Wang D10/57
D843,243 S * 3/2019 Wang D10/57
D856,827 S * 8/2019 Liang D10/57
D871,239 S * 12/2019 Liang D10/57
D873,157 S * 1/2020 Gao D10/57
D881,041 S * 4/2020 Luo D10/57
D881,042 S * 4/2020 Luo D10/57
D884,703 S * 5/2020 Silver D14/426
D891,948 S * 8/2020 Chen D10/57

* cited by examiner
Primary Examiner — Leanne Was-Englehart

(57) **CLAIM**
The ornamental design for an infrared thermometer, as shown and described.

DESCRIPTION
FIG. 1 is a perspective view of an infrared thermometer showing my new design;
FIG. 2 is another perspective view thereof;
FIG. 3 is a front elevational view thereof;
FIG. 4 is a rear elevational view thereof;
FIG. 5 is a left side elevational view thereof;
FIG. 6 is a right side elevational view thereof;
FIG. 7 is a top plan view thereof; and,
FIG. 8 is a bottom plan view thereof.
The broken lines in the drawings depict portions of the infrared thermometer that form no part of the claimed design.

1 Claim, 8 Drawing Sheets



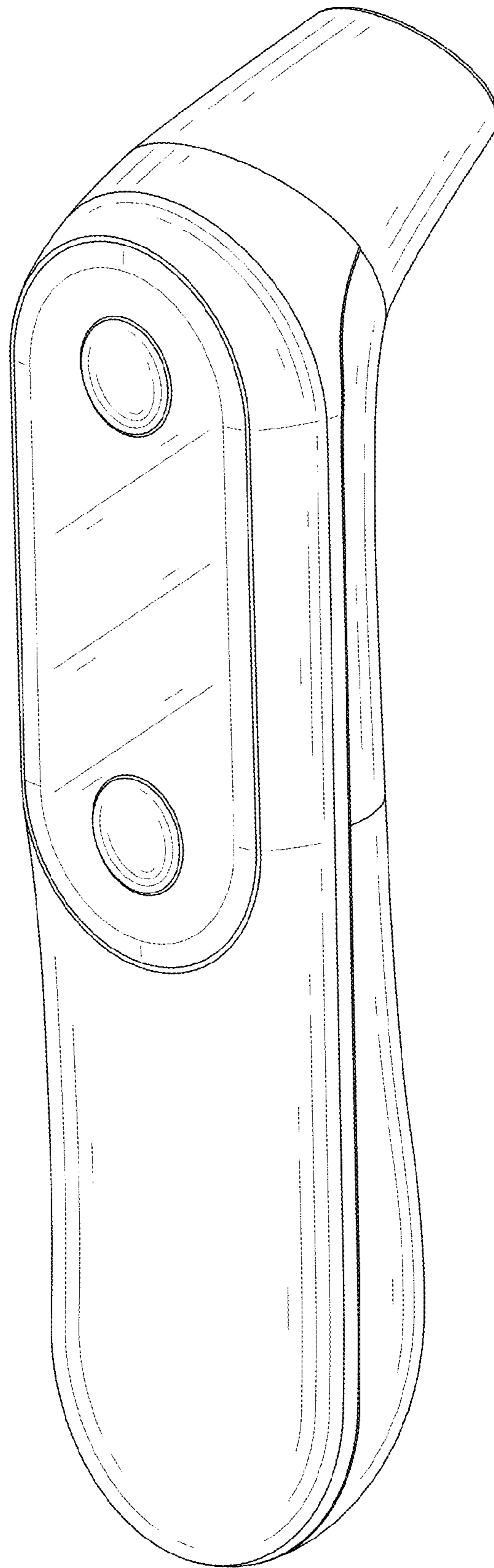


FIG. 1

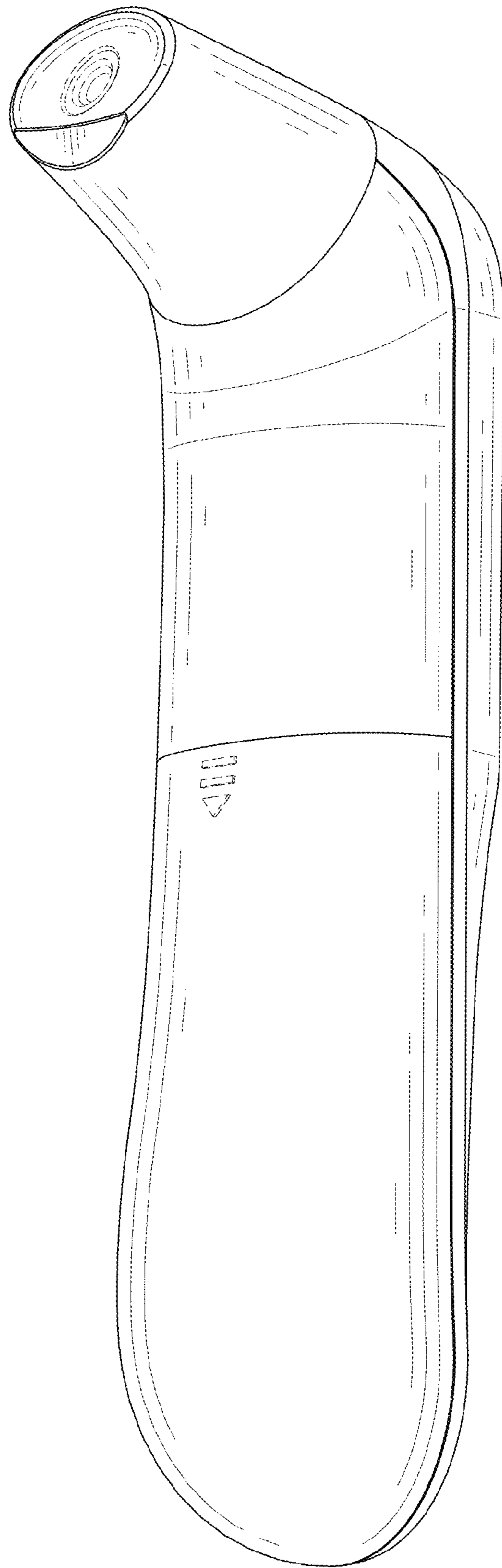


FIG. 2

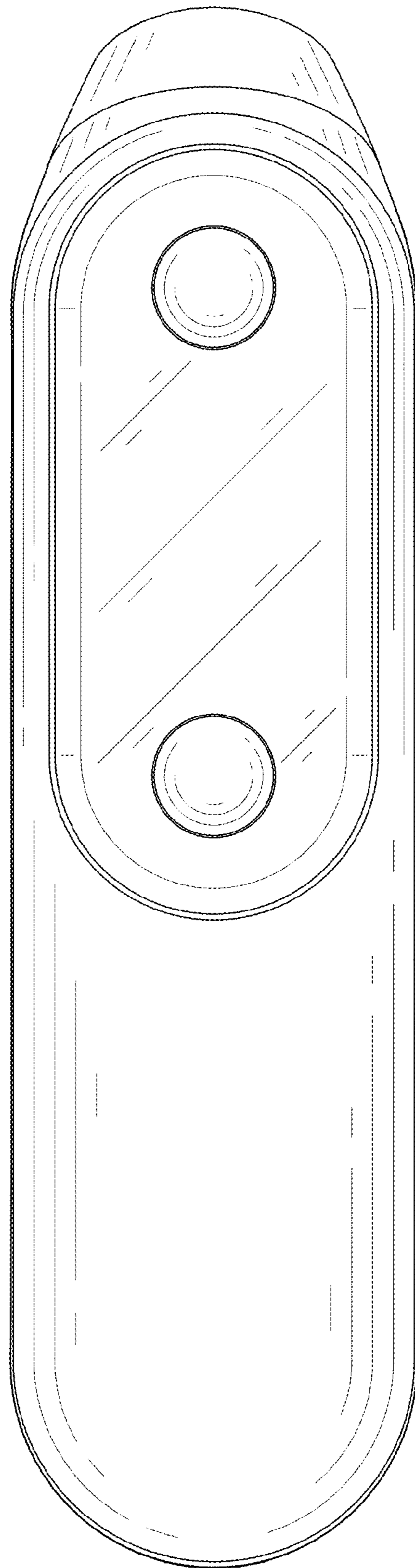


FIG. 3

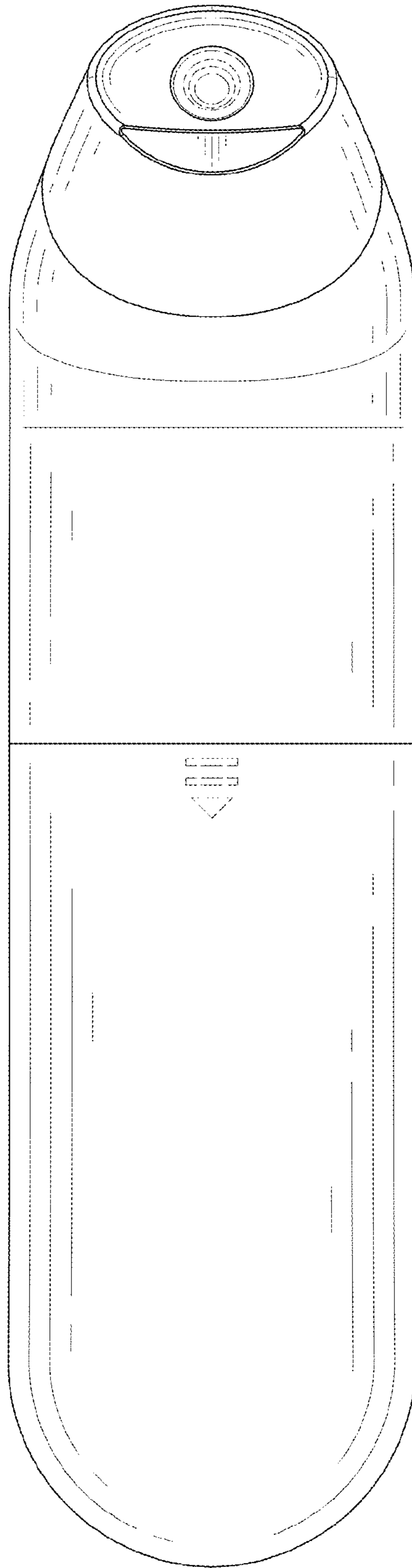


FIG. 4

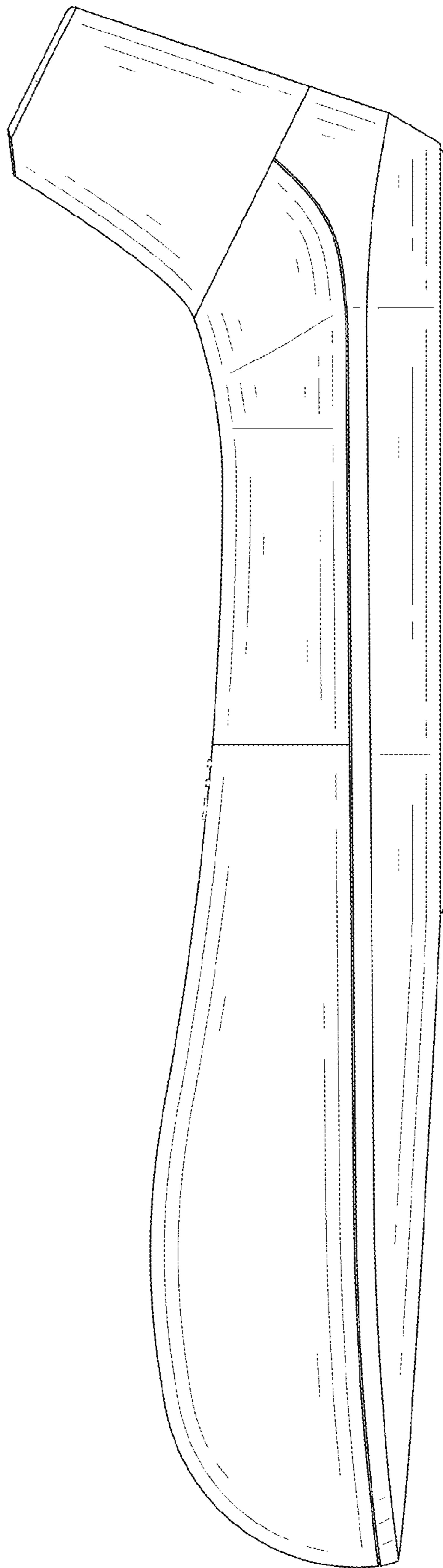


FIG. 5

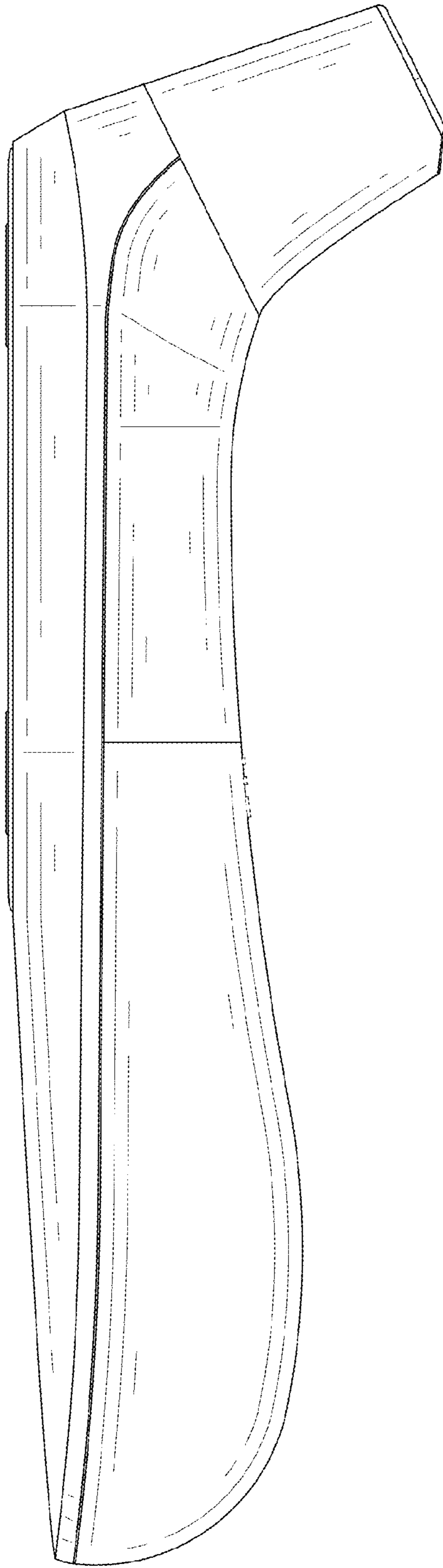


FIG. 6

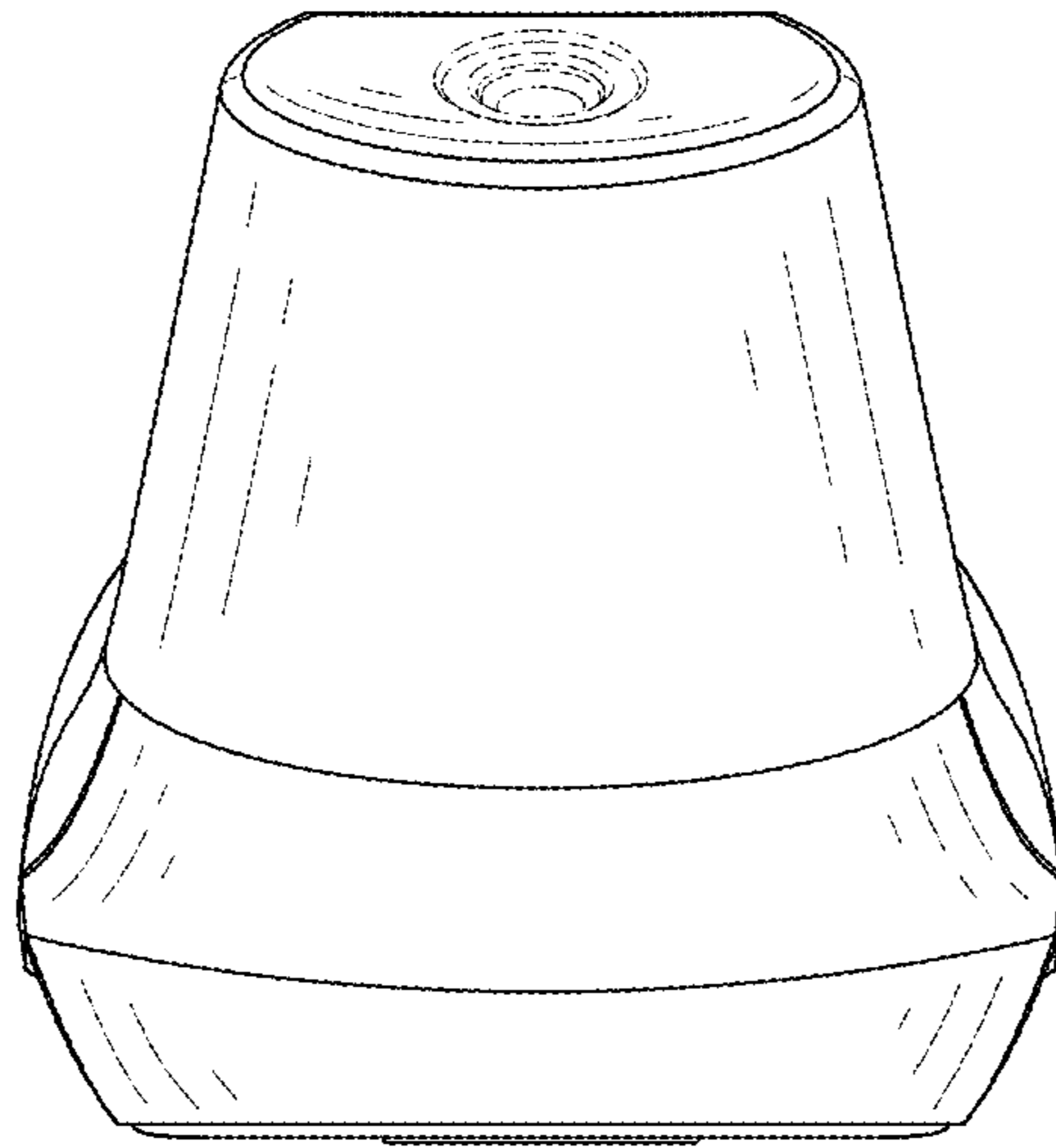


FIG. 7

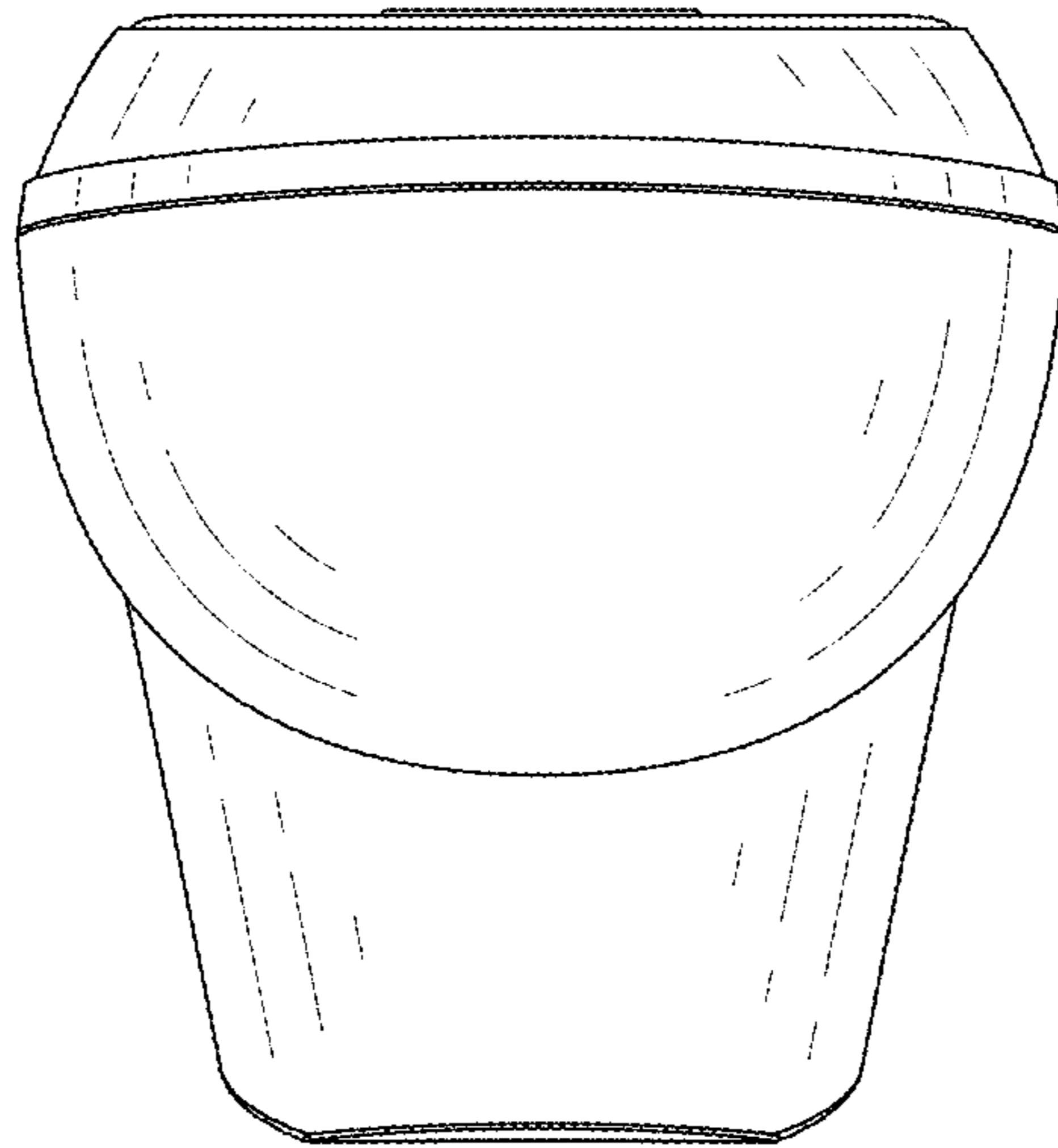


FIG. 8