



US00D926602S

(12) **United States Design Patent** (10) **Patent No.:** **US D926,602 S**  
**Prasad et al.** (45) **Date of Patent:** **\*\* Aug. 3, 2021**

(54) **TEMPERATURE CONTROLLER**  
(71) Applicant: **DANFOSS A/S**, Nordborg (DK)

D434,338 S \* 11/2000 Odom ..... D10/49  
D708,968 S \* 7/2014 Tamborra ..... D10/49  
D776,172 S \* 1/2017 Jensen ..... D15/89

(72) Inventors: **Sadhu Sharan Prasad**, Nordborg (DK); **Somanadha Rao Raparty**, Nordborg (DK); **Balasubramanian Shanmugakani**, Nordborg (DK); **Usha Palanivelu**, Nordborg (DK); **Hareesha Shetty**, Nordborg (DK)

**FOREIGN PATENT DOCUMENTS**

JP D1276702 \* 7/2006  
KR 300728333.0000 \* 2/2014

\* cited by examiner

(73) Assignee: **DANFOSS A/S**, Nordborg (DK)  
(\*\*) Term: **15 Years**

*Primary Examiner* — Leanne Was-Englehart  
(74) *Attorney, Agent, or Firm* — McCormick, Paulding & Huber PLLC

(21) Appl. No.: **29/704,698**

(57) **CLAIM**

(22) Filed: **Sep. 6, 2019**

The ornamental design for a temperature controller, substantially as shown and described.

(30) **Foreign Application Priority Data**

Apr. 12, 2019 (EM) ..... 006376943

(51) **LOC (13) Cl.** ..... **10-05**

(52) **U.S. Cl.**  
USPC ..... **D10/49**

(58) **Field of Classification Search**  
USPC ..... D10/46, 49, 50  
CPC ..... G01K 13/00  
See application file for complete search history.

**DESCRIPTION**

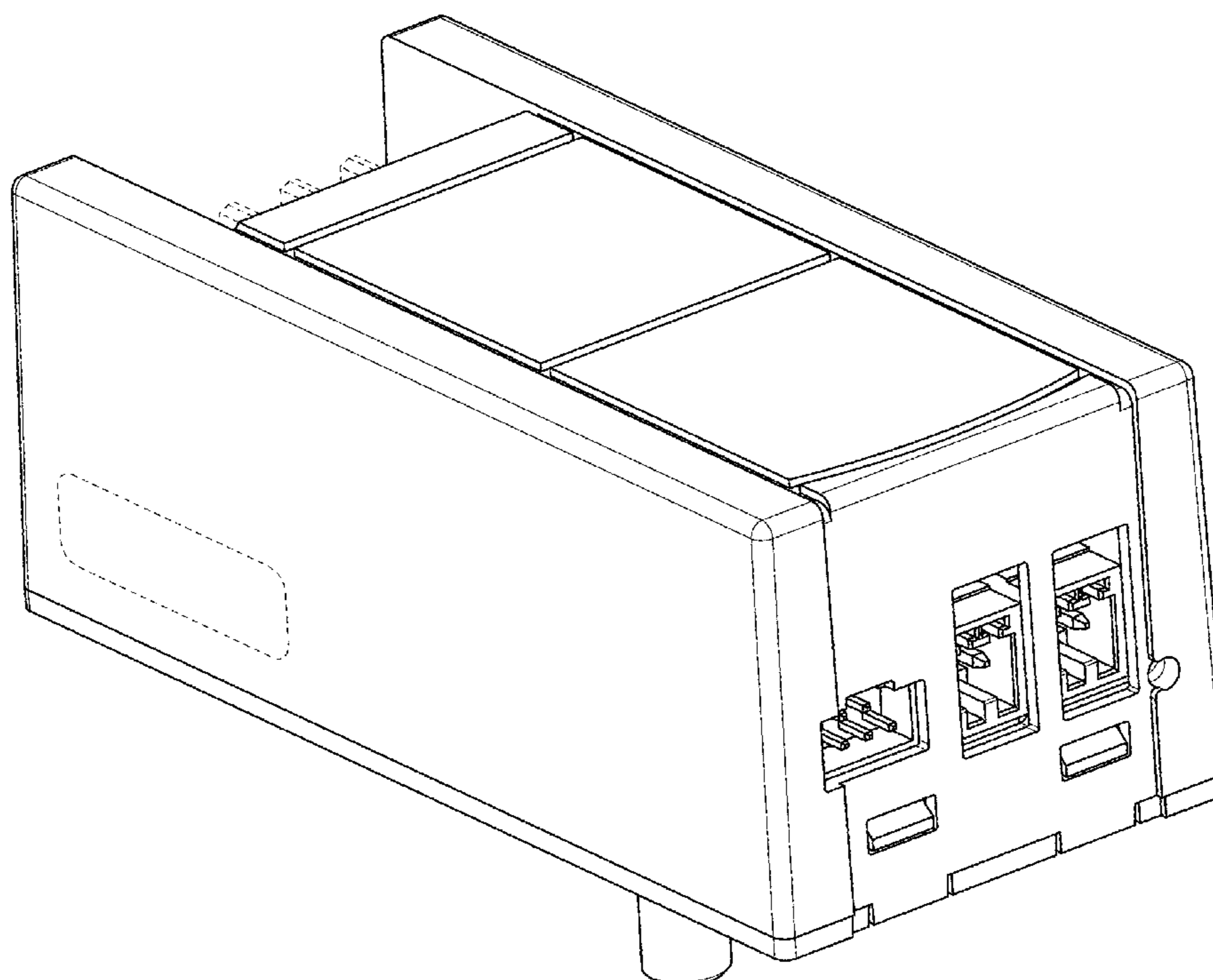
FIG. 1 is a front, left side and top perspective view of a temperature controller comprising a new, original and ornamental design;  
FIG. 2 is a front view thereof;  
FIG. 3 is a rear view thereof;  
FIG. 4 is a top view thereof;  
FIG. 5 is a bottom view thereof;  
FIG. 6 is a right view thereof; and,  
FIG. 7 is a left view thereof.  
The broken lines show portions of the temperature controller that form no part of the claimed design.

(56) **References Cited**

**U.S. PATENT DOCUMENTS**

6,091,604 A \* 7/2000 Plougsgaard ..... H02M 7/003  
165/185  
D432,927 S \* 10/2000 Monaco ..... D10/49

**1 Claim, 7 Drawing Sheets**



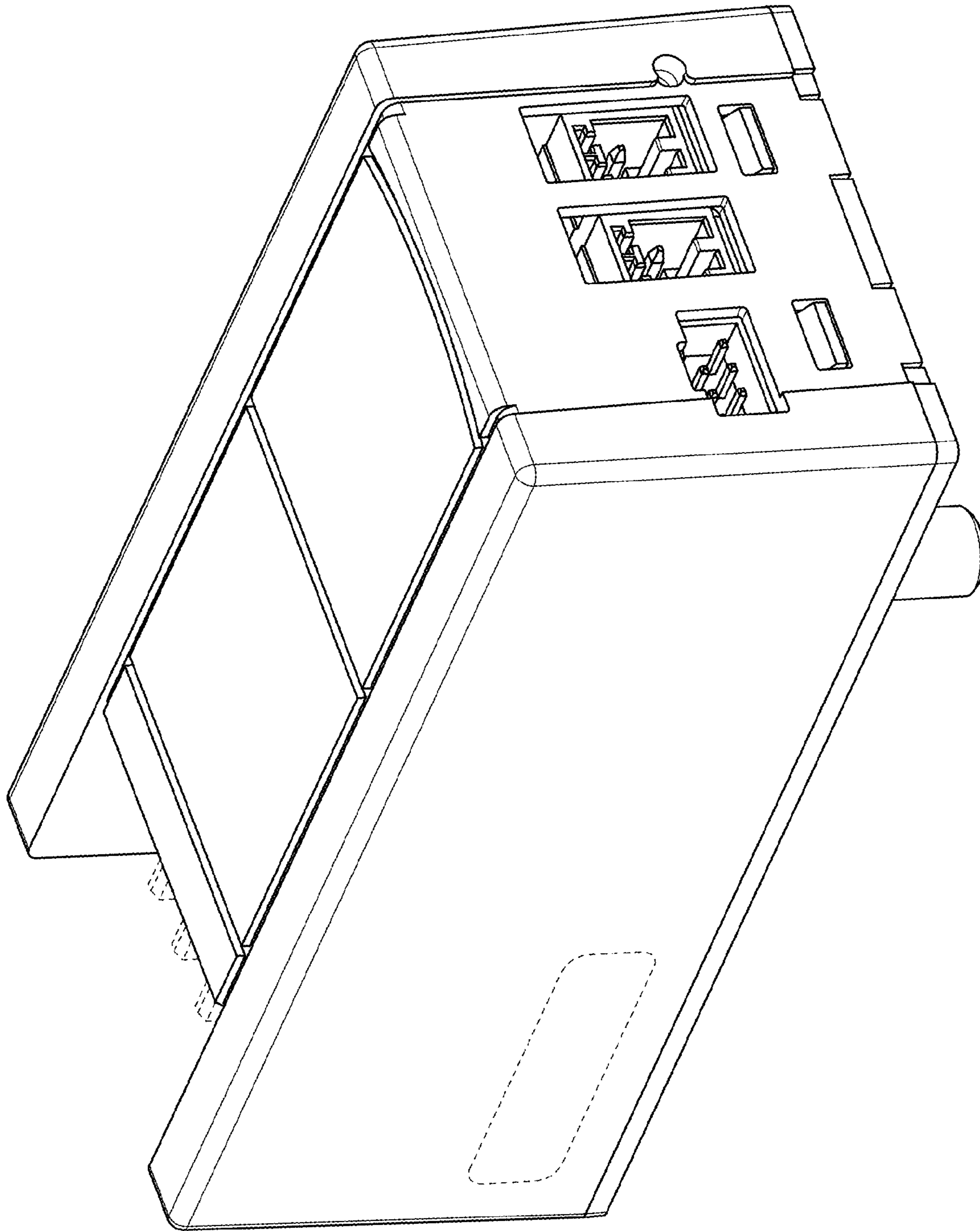


FIG. 1

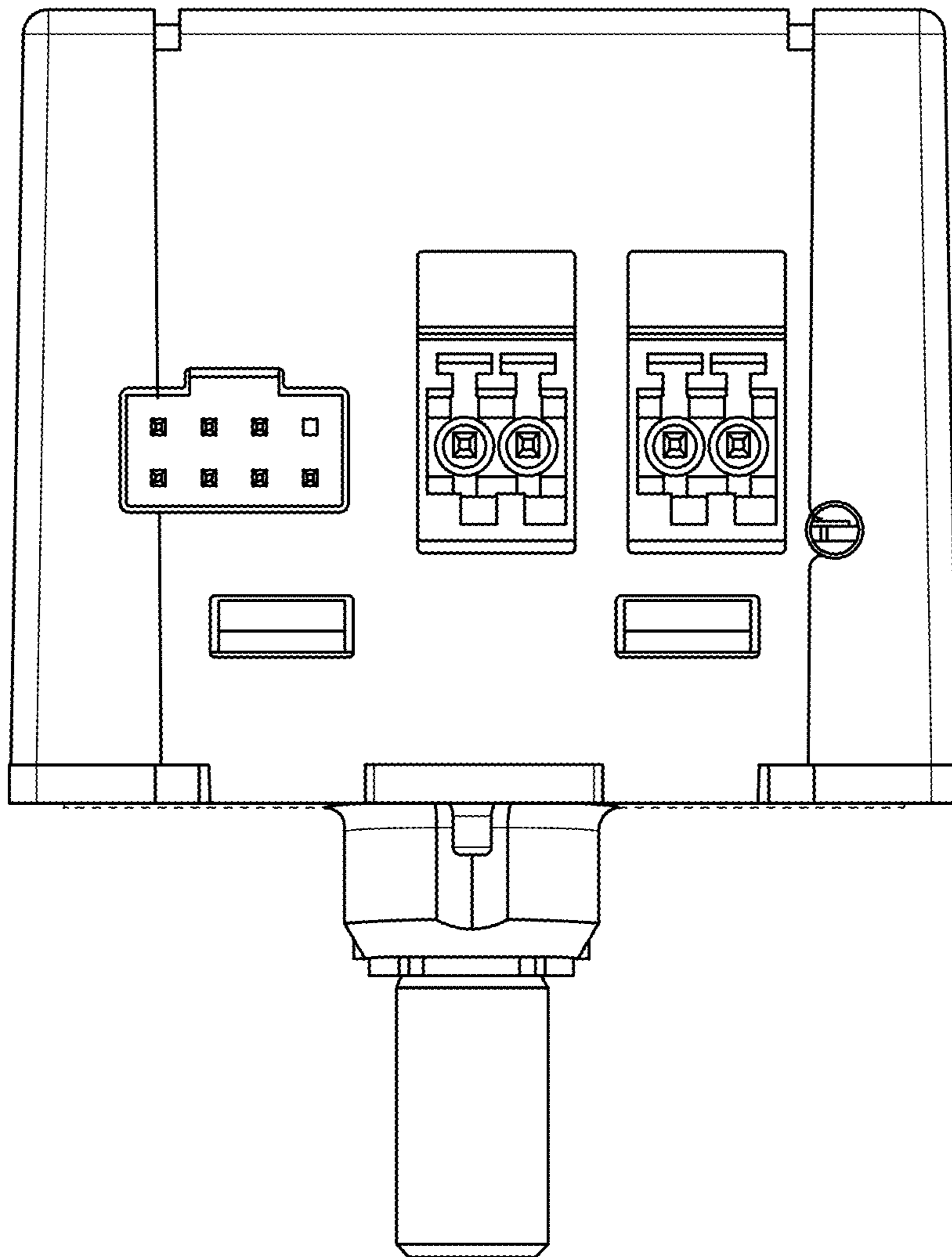


FIG. 2

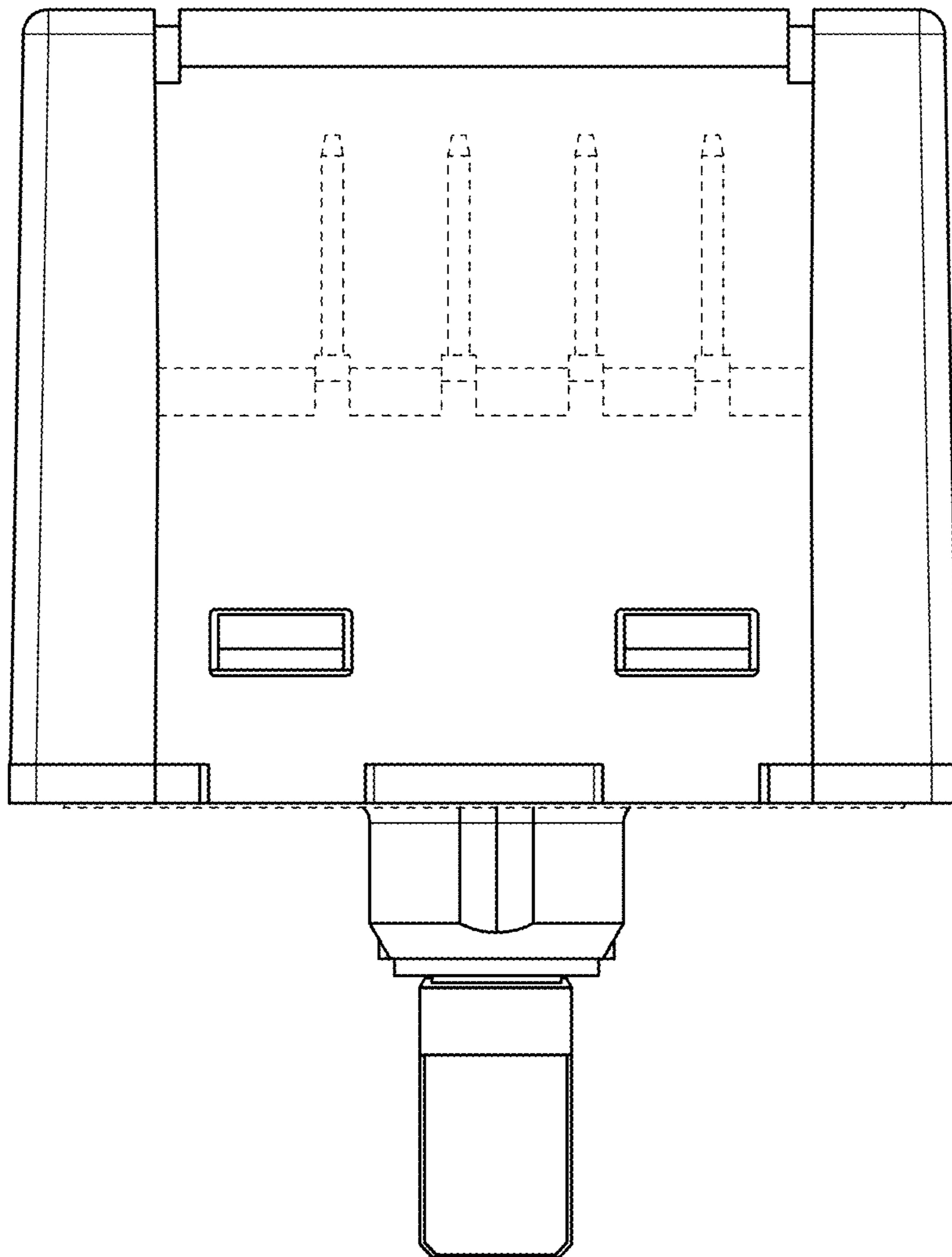


FIG. 3

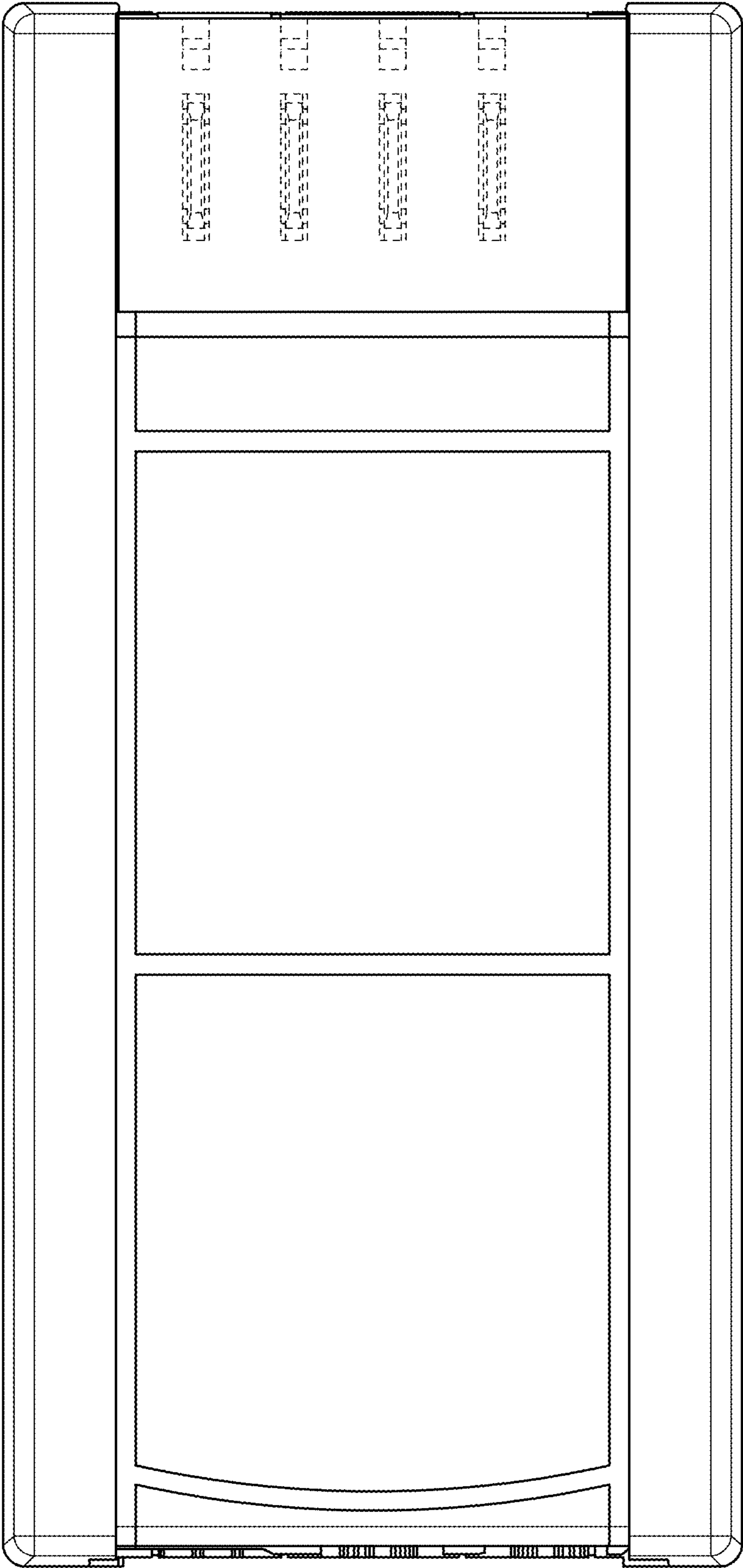


FIG. 4

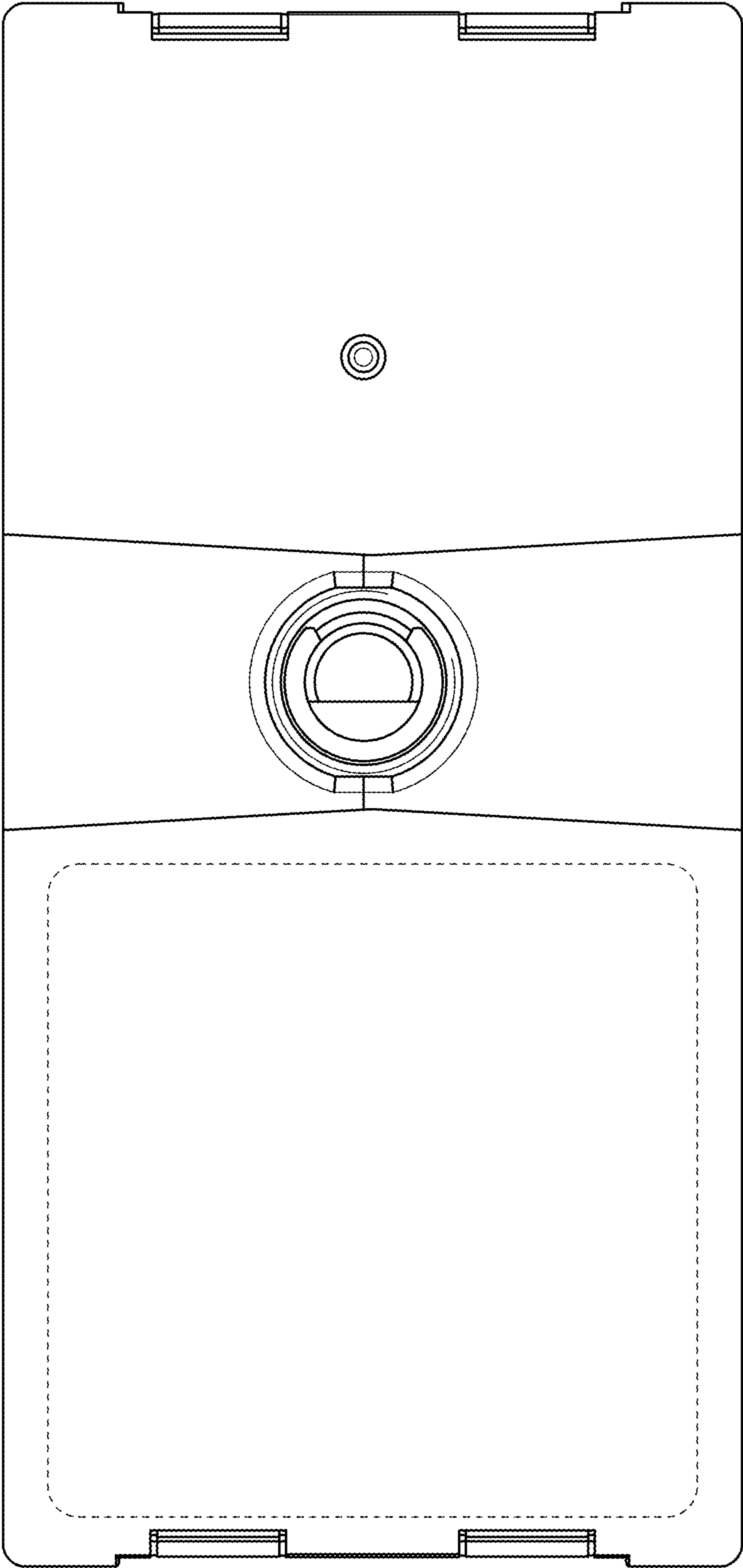


FIG. 5

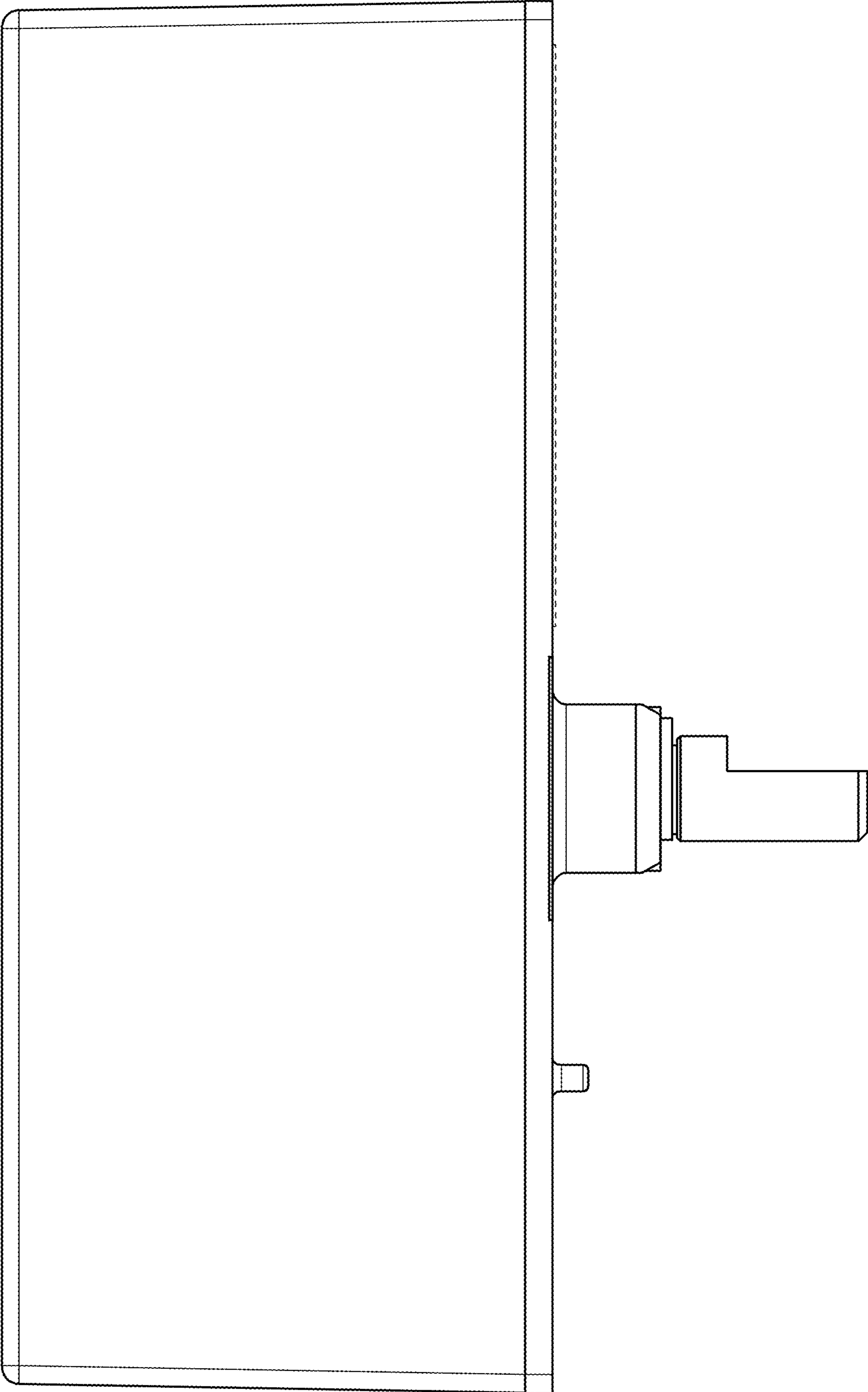


FIG. 6

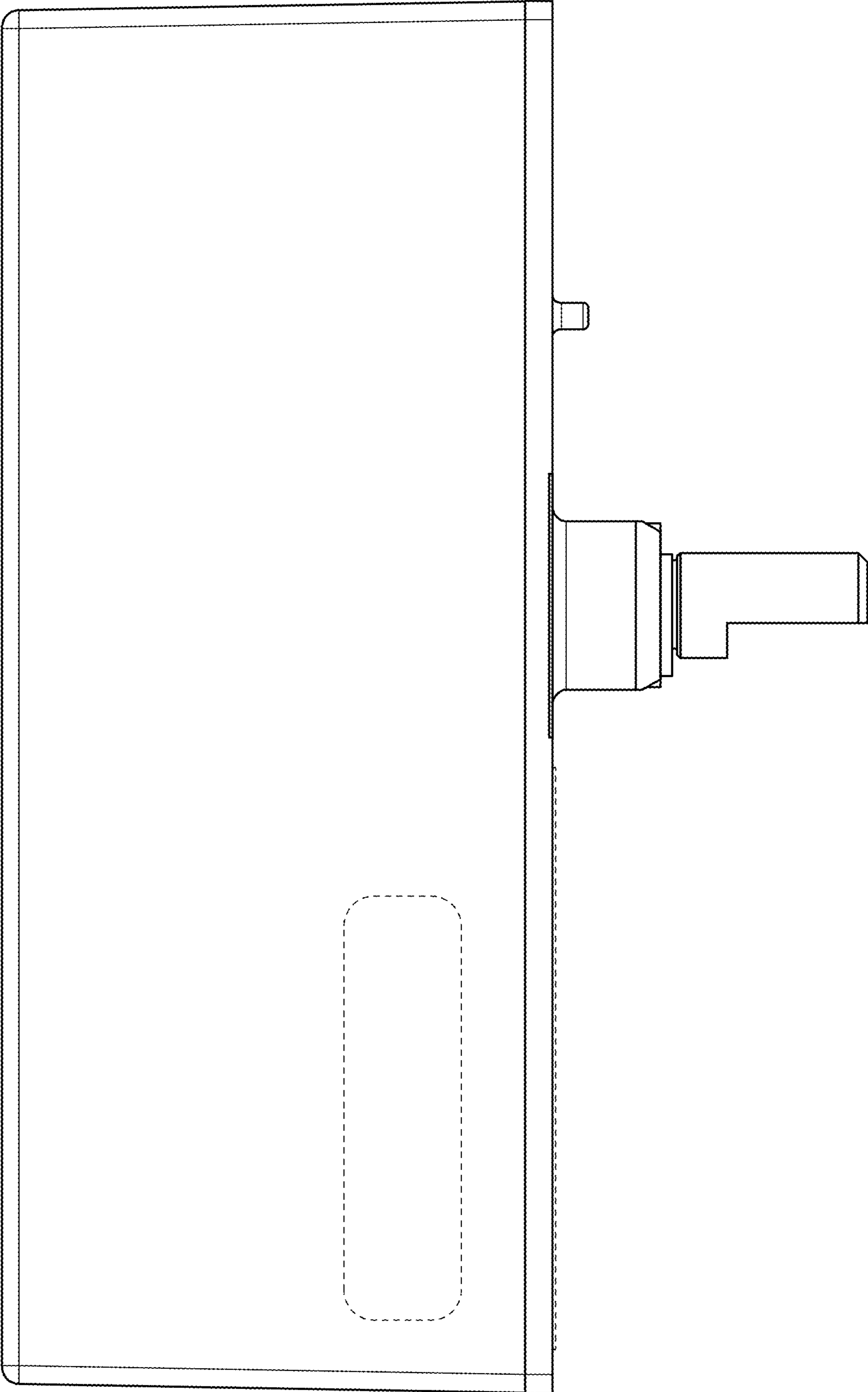


FIG. 7