



US00D926601S

(12) **United States Design Patent** (10) **Patent No.:** **US D926,601 S**  
**Yu** (45) **Date of Patent:** **\*\* Aug. 3, 2021**

(54) **TIMER**  
(71) Applicant: **NINGBO WELL ELECTRIC APPLIANCE CO., LTD., Ningbo (CN)**

D386,430 S \* 11/1997 Czerlanis ..... D10/40  
5,699,320 A \* 12/1997 Wan ..... G04G 15/00  
368/10  
D402,902 S \* 12/1998 Chen ..... D10/40  
D435,514 S \* 12/2000 Stekelenburg ..... D10/40  
D453,691 S \* 2/2002 Stekelenburg ..... D10/40  
8,446,102 B2 \* 5/2013 Leinen ..... H05B 47/29  
315/291  
D686,993 S \* 7/2013 Miliar-Sax ..... D13/137.2

(72) Inventor: **Guolin Yu, Ningbo (CN)**  
(73) Assignee: **NINGBO WELL ELECTRIC APPLIANCE CO., LTD., Ningbo (CN)**

**FOREIGN PATENT DOCUMENTS**

CN 201630571844 \* 11/2016

(\*\*) Term: **15 Years**

**OTHER PUBLICATIONS**

(21) Appl. No.: **29/702,985**  
(22) Filed: **Aug. 22, 2019**

Amazon, Plusmart Outdoor Timer, posted Jun. 12, 2019, [online], [visited Mar. 29, 2021]. Internet, <URL: https://www.amazon.com/dp/B07J5TW6Y2/ref> (Year: 2019).\*

(30) **Foreign Application Priority Data**

(Continued)

Aug. 19, 2019 (CN) ..... 201930449689.X

*Primary Examiner* — Sheryl Lane  
*Assistant Examiner* — Samantha N Wood

(51) **LOC (13) Cl.** ..... **10-03**

(57) **CLAIM**

(52) **U.S. Cl.**  
USPC ..... **D10/40**

The ornamental design for a timer, as shown and described.

(58) **Field of Classification Search**

**DESCRIPTION**

USPC ..... D10/40, 41, 49, 50, 52, 96, 75, 97, 103,  
D10/57, 80; D13/137.2, 137.1, 133,  
D13/137.4, 138.1, 138.2, 154, 199  
CPC ..... G04F 1/00; G04F 3/00; G04F 3/02; G04F  
3/022; G04F 3/027; G04F 3/04; G04F  
3/06; G04F 3/08; G04F 5/00; G04F 5/04;  
G04F 5/10; G04F 5/12; G04G 5/00;  
G04G 5/02

FIG. 1 is a right, front, top perspective view of a timer showing my new design;  
FIG. 2 is a left, rear, bottom perspective view thereof;  
FIG. 3 is a front elevational view thereof;  
FIG. 4 is a rear elevational view thereof;  
FIG. 5 is a left side elevational view thereof;  
FIG. 6 is a right side elevational view thereof;  
FIG. 7 is a top plan view thereof; and,  
FIG. 8 is a bottom plan view thereof.  
FIG. 9 is an enlarged perspective view taken from FIG. 1. The broken lines in the drawings illustrate portions of the timer that form no part of the claimed design.

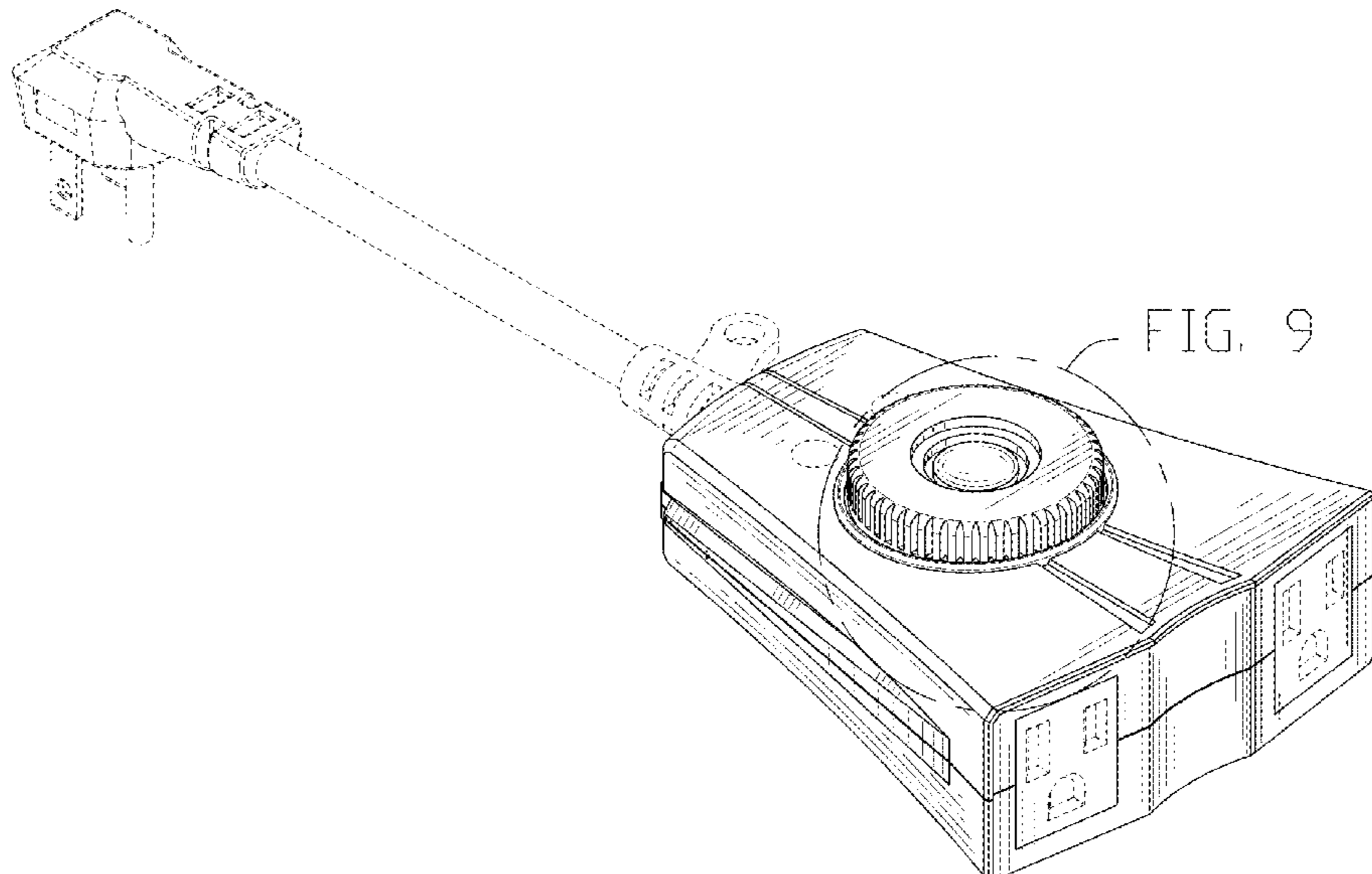
See application file for complete search history.

(56) **References Cited**

**1 Claim, 9 Drawing Sheets**

**U.S. PATENT DOCUMENTS**

D235,265 S \* 6/1975 Michener ..... D13/137.4  
5,258,656 A \* 11/1993 Pawlick ..... G04G 15/006  
307/141



(56)

**References Cited**

OTHER PUBLICATIONS

Amazon, DEWENWILS Outdoor Timer, posted Feb. 11, 2018, [online], [visited Mar. 29, 2021]. Internet, <URL: <https://www.amazon.com/dp/B078TVTZ3Y/ref>> (Year: 2018).\*

Amazon, BESTTEN Outdoor Timer, posted Jul. 17, 2019, [online], [visited Mar. 29, 2021]. Internet, <URL: <https://www.amazon.com/dp/B07VBCXF2Y/ref>> (Year: 2019).\*

\* cited by examiner

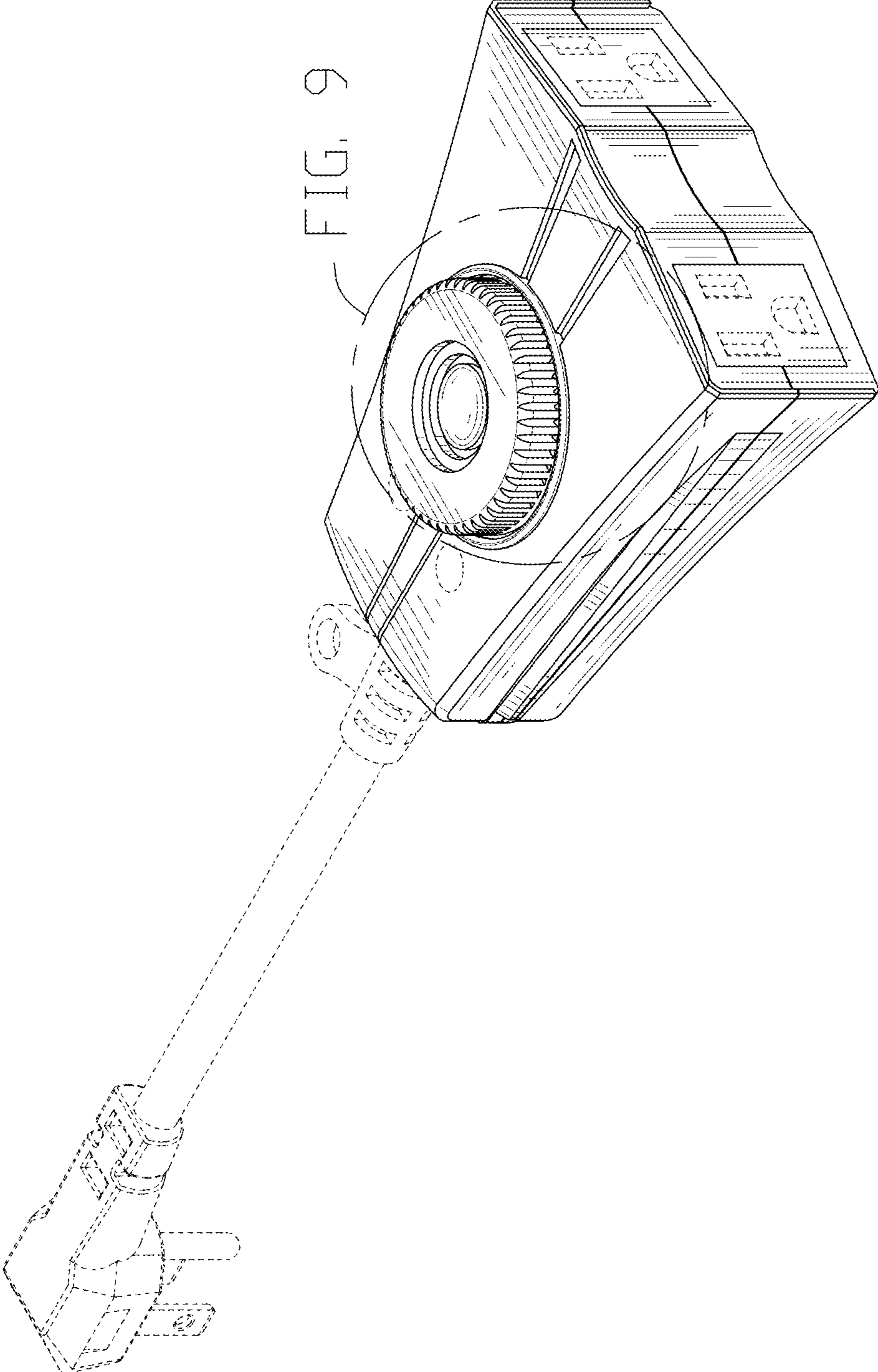


FIG. 1

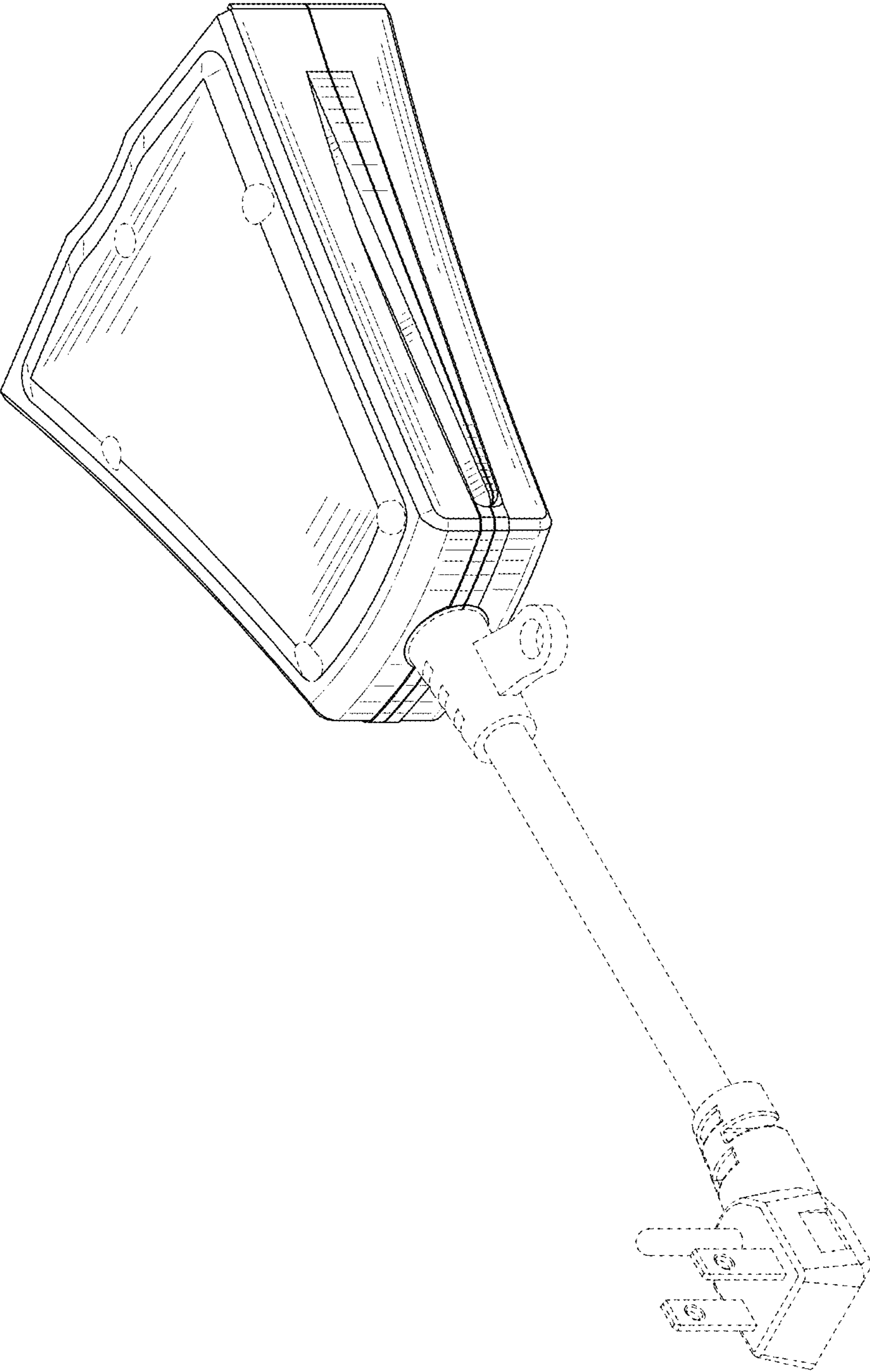


FIG. 2

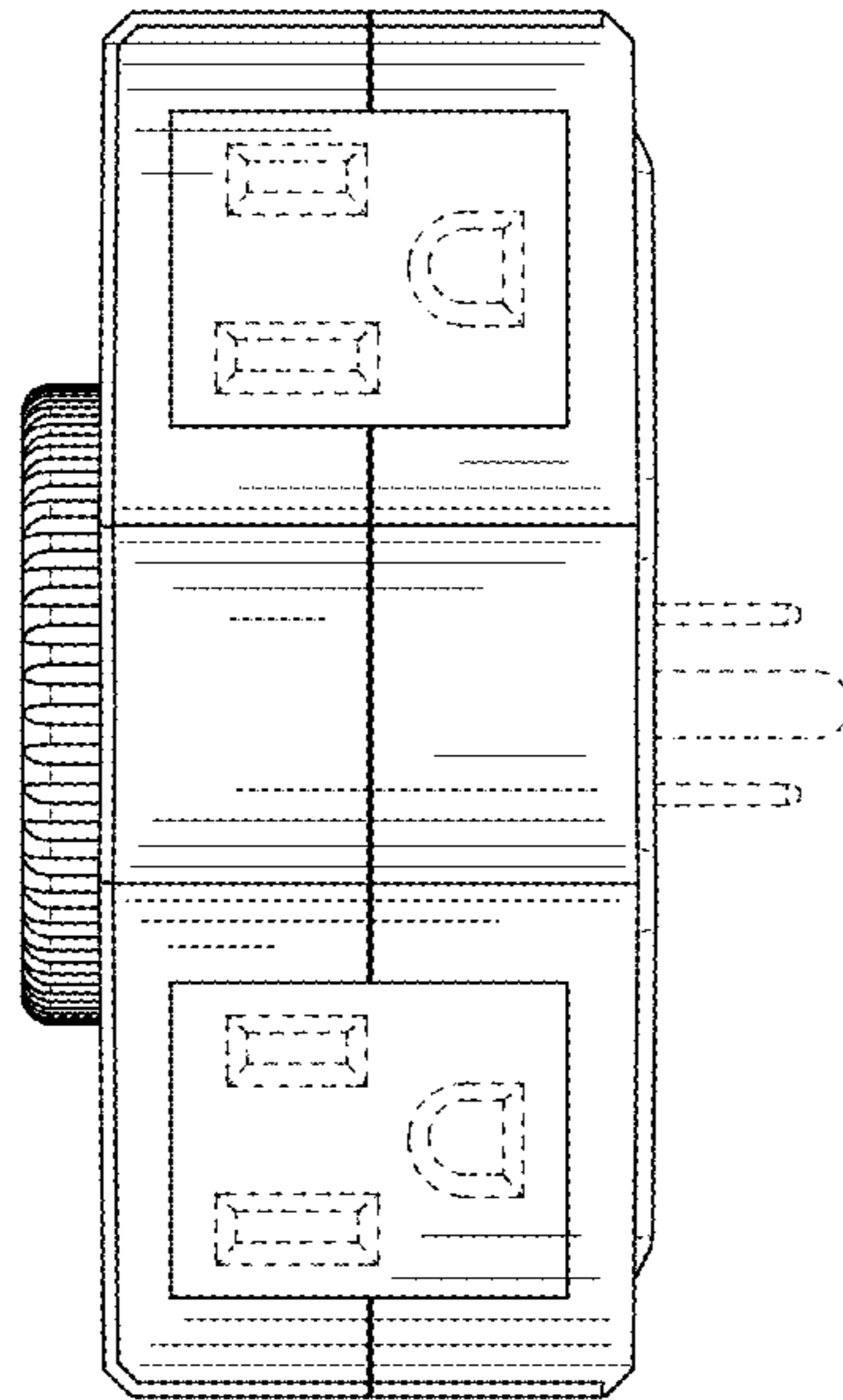


FIG. 3

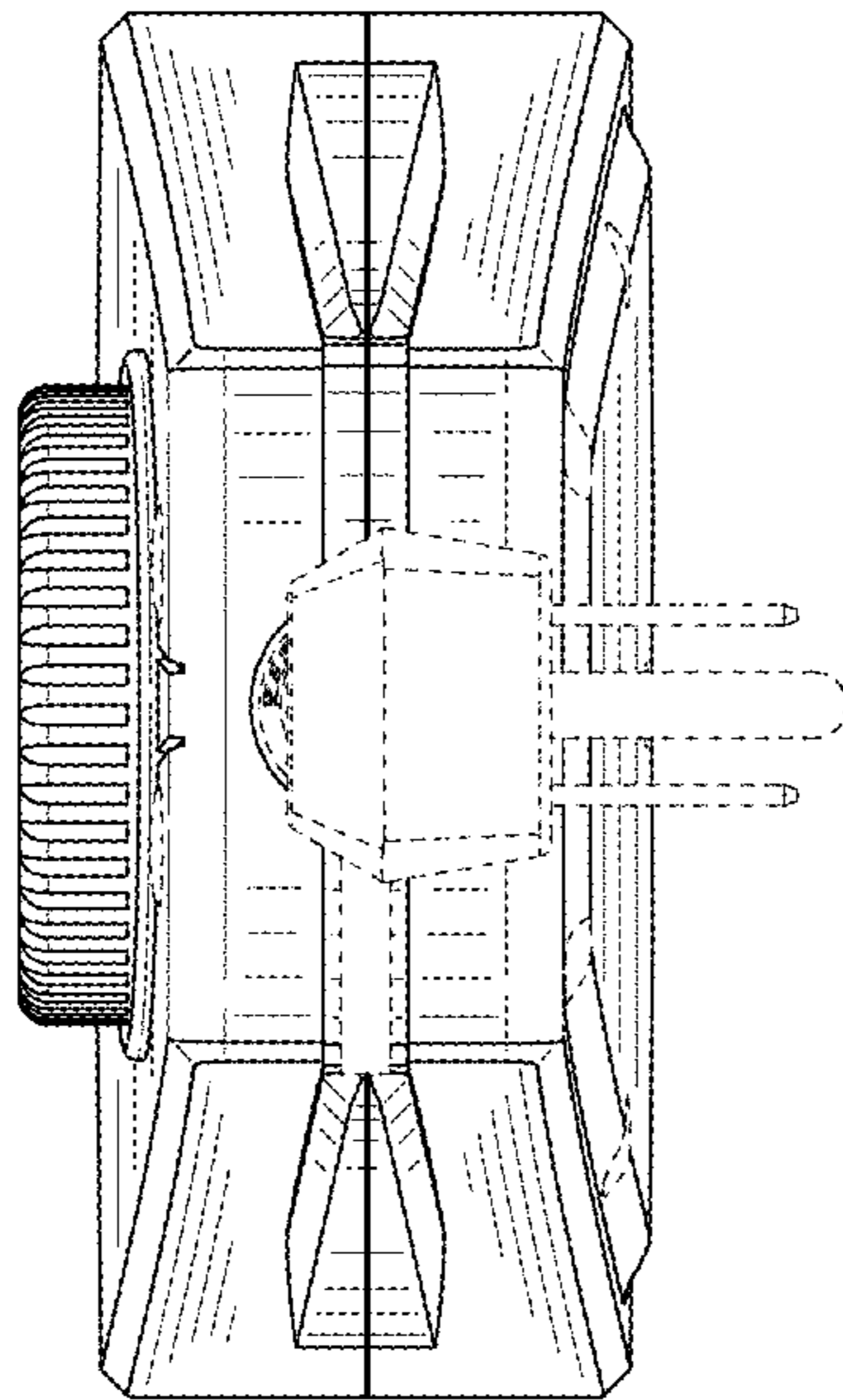


FIG. 4

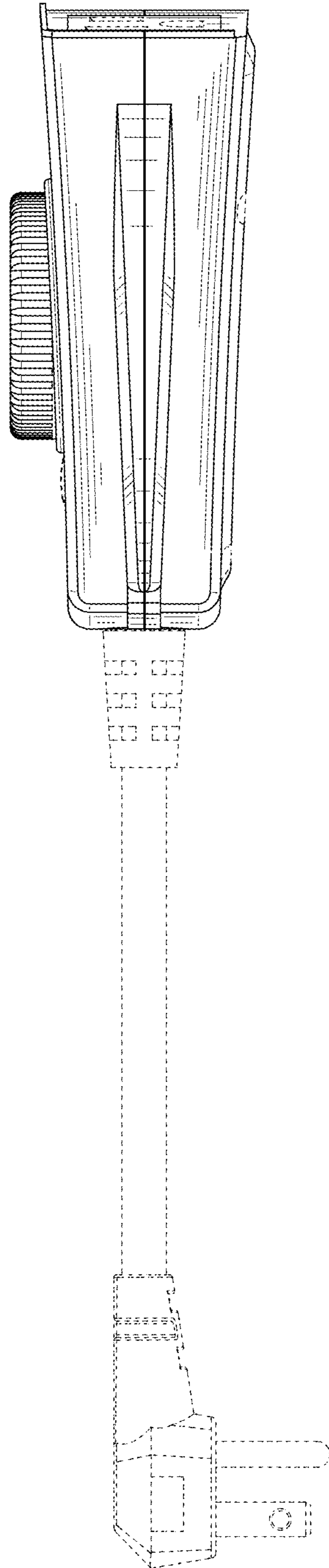


FIG. 5

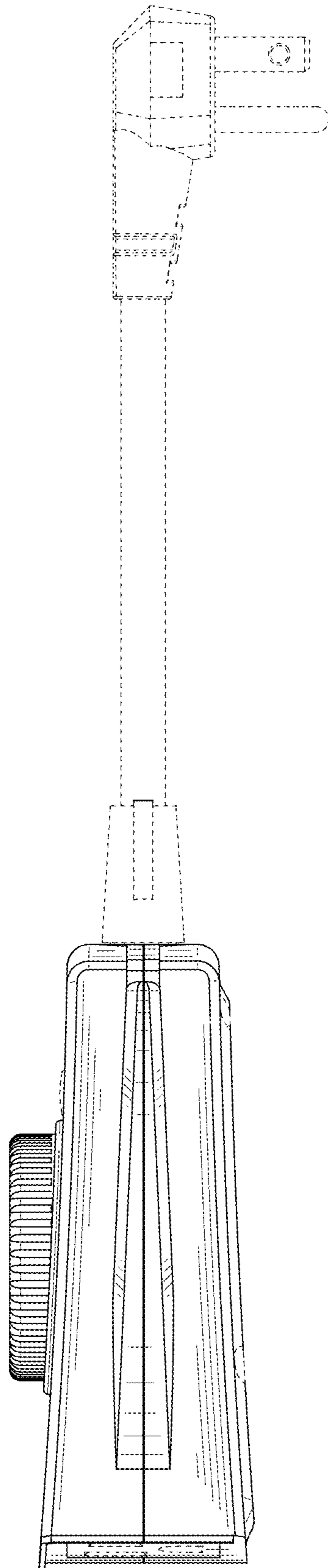


FIG. 6



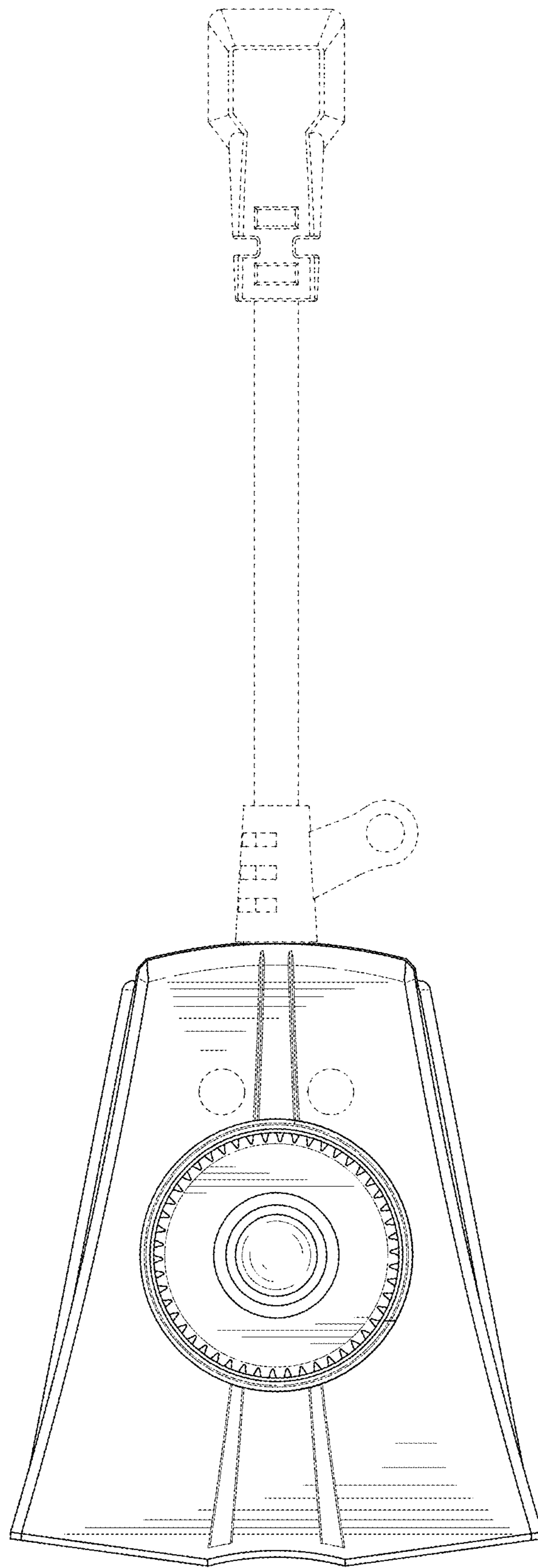


FIG. 7

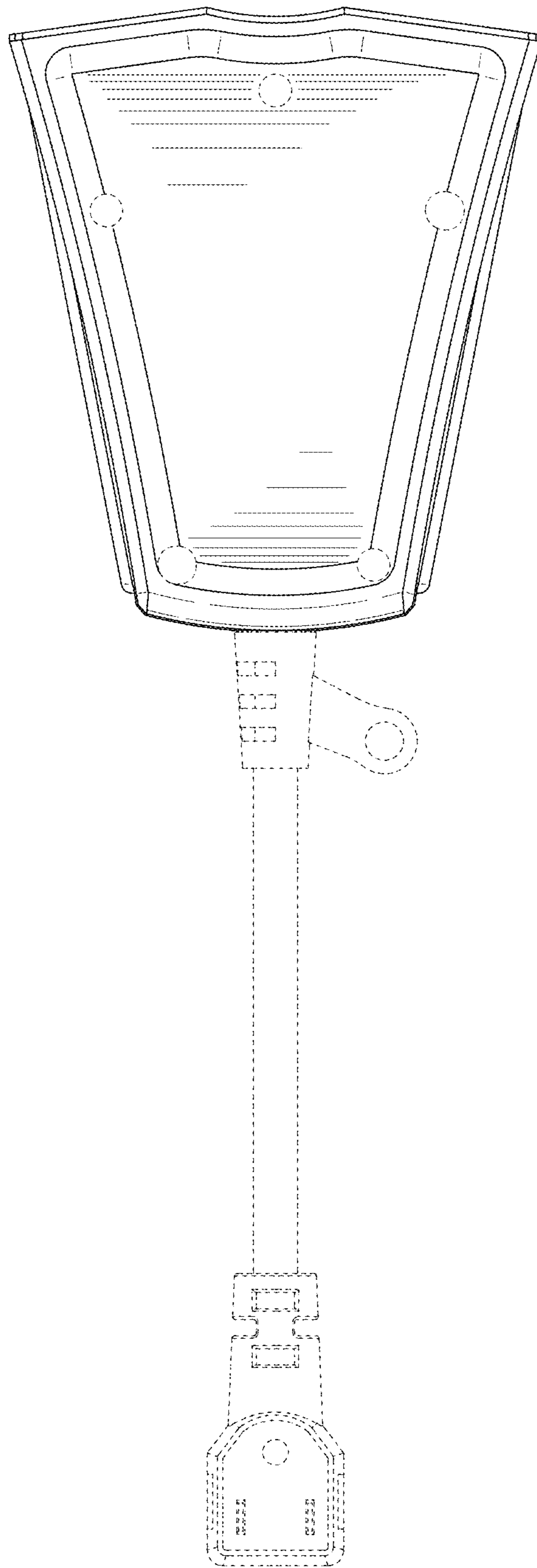


FIG. 8

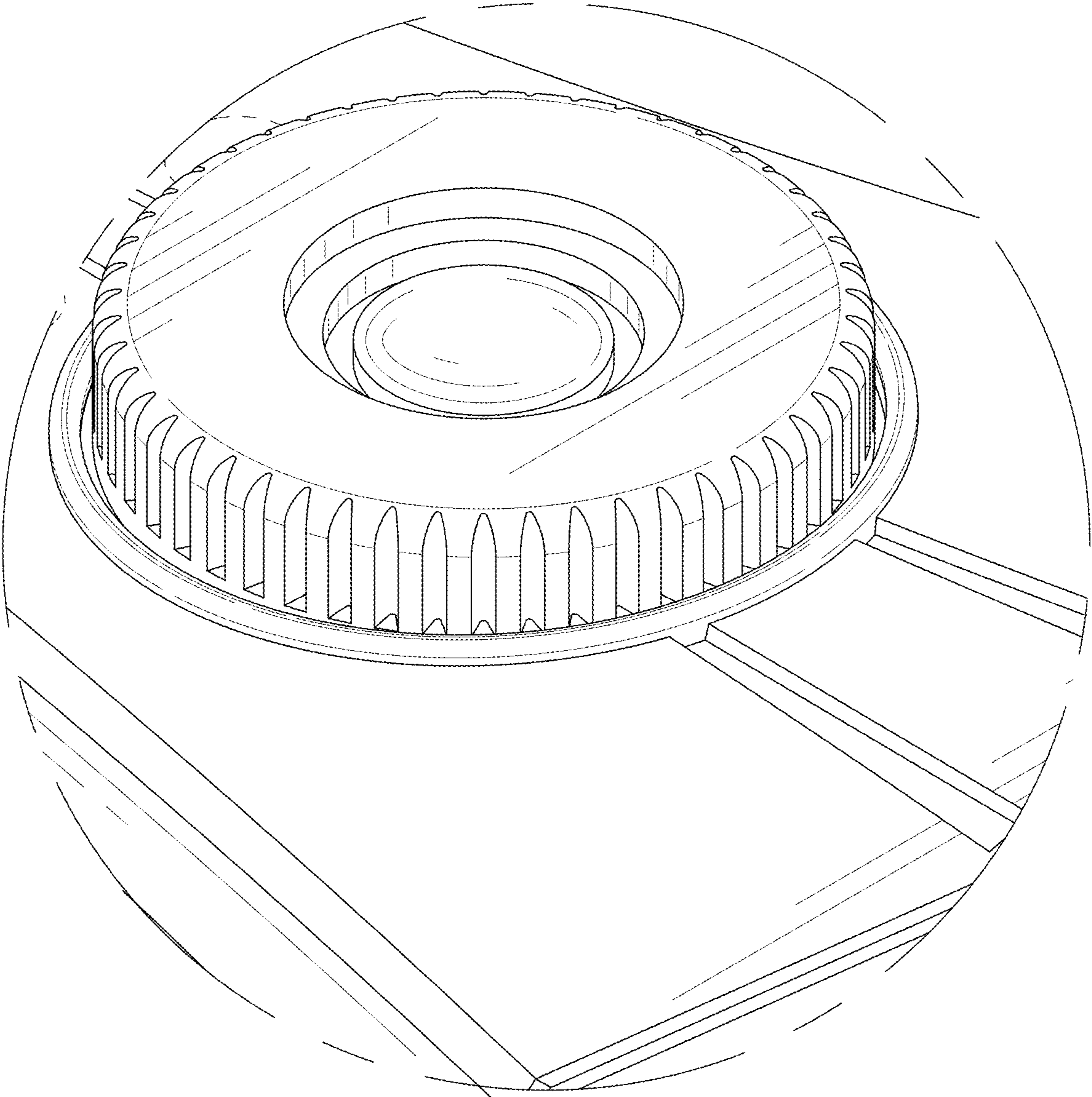


FIG. 9