



US00D926600S

(12) **United States Design Patent** (10) **Patent No.:** **US D926,600 S**
Yu (45) **Date of Patent:** **** Aug. 3, 2021**

(54) **TIMER**

(71) Applicant: **NINGBO WELL ELECTRIC APPLIANCE CO., LTD.**, Ningbo (CN)

(72) Inventor: **Guolin Yu**, Ningbo (CN)

(73) Assignee: **NINGBO WELL ELECTRIC APPLIANCE CO., LTD.**, Ningbo (CN)

(**) Term: **15 Years**

(21) Appl. No.: **29/702,983**

(22) Filed: **Aug. 22, 2019**

(30) **Foreign Application Priority Data**

Aug. 16, 2019 (CN) 201930447629.4

(51) **LOC (13) Cl.** **10-03**

(52) **U.S. Cl.**
USPC **D10/40**

(58) **Field of Classification Search**
USPC D10/40, 41, 49, 50, 52, 96, 97, 103, 57;
D13/162, 162.1, 199, 137.2, 137.4, 137.1
CPC ... G04F 1/00; G04F 1/005; G04F 1/04; G04F
1/06; G04F 1/066; G04F 3/00; G04F
3/02; G04F 3/022; G04F 3/027; G04F
3/04; G04F 3/06; G04C 23/00; G04C
23/02; G04C 23/04; G04C 23/06; G04C
23/08

See application file for complete search history.

(56) **References Cited**

U.S. PATENT DOCUMENTS

D265,553 S * 7/1982 Joss D10/2
D432,030 S * 10/2000 Stekelenburg D10/40
D525,540 S * 7/2006 Stekelenburg D10/40
D557,620 S * 12/2007 Stekelenburg D10/40
D582,795 S * 12/2008 Stekelenburg D10/40

D620,816 S * 8/2010 Stekelenburg D10/40
D646,590 S * 10/2011 Stekelenburg D10/40
D667,736 S * 9/2012 Stack D10/40
D682,714 S * 5/2013 Barton D10/40
D772,732 S * 11/2016 Lin D10/40

FOREIGN PATENT DOCUMENTS

CN 201130340982 * 9/2011
CN 201230172583 * 5/2012

OTHER PUBLICATIONS

Amazon, Rapid Response Timer, posted Aug. 24, 2012, [online], [visited Mar. 18, 2021]. Internet, <URL: <https://www.amazon.co.uk/Lloytron-Mechanical-Segment-Security-Interval/dp/B0091O00IS/ref>> (Year: 2012).*

Youtube, Programmable Heavy Duty 24-Hour Outlet Timer with Night Light by Prime, posted Aug. 14, 2017, [online], [visited Mar. 18, 2021]. Internet, <URL: <https://www.youtube.com/watch?v=CZDAU3p6vPE>> (Year: 2017).*

* cited by examiner

Primary Examiner — Sheryl Lane
Assistant Examiner — Samantha N Wood

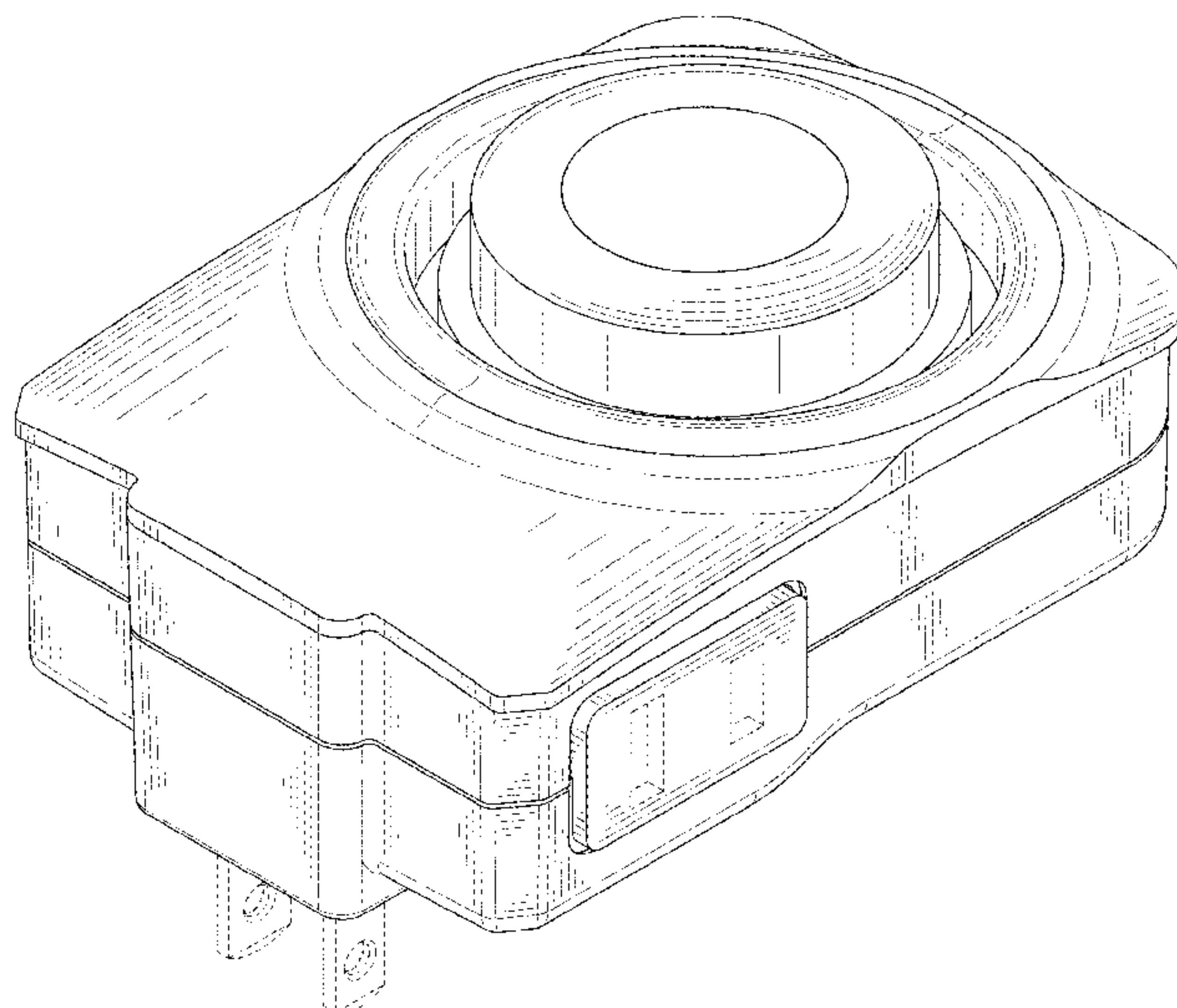
(57) **CLAIM**

The ornamental design for a timer, as shown and described.

DESCRIPTION

FIG. 1 is a right, front, top perspective view of a timer showing my new design;
FIG. 2 is a left, rear, bottom perspective view thereof;
FIG. 3 is a front elevational view thereof;
FIG. 4 is a rear elevational view thereof;
FIG. 5 is a left side elevational view thereof;
FIG. 6 is a right side elevational view thereof;
FIG. 7 is a top plan view thereof; and,
FIG. 8 is a bottom plan view thereof.
The broken lines in the drawings illustrate portions of the timer that form no part of the claimed design.

1 Claim, 8 Drawing Sheets



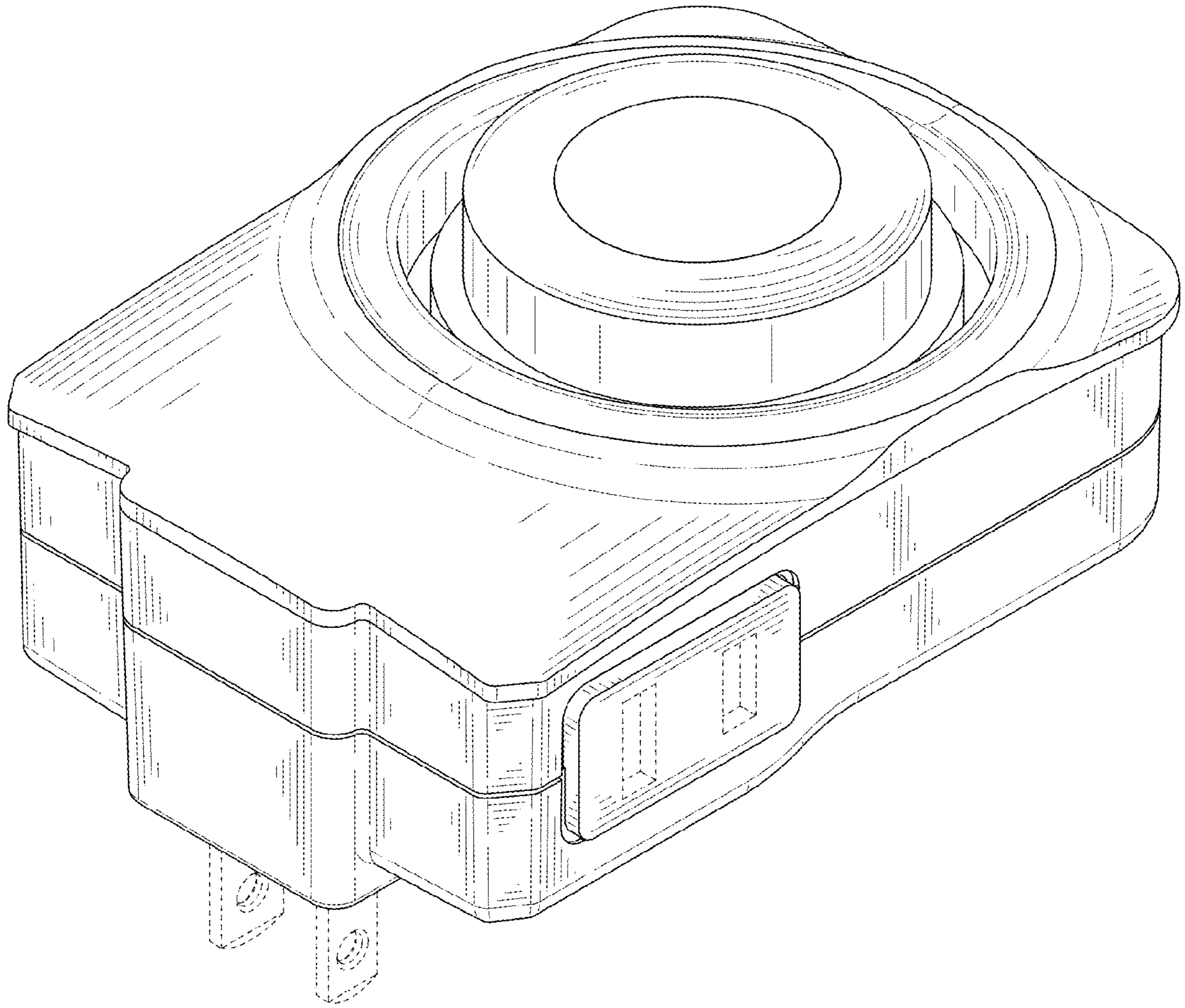


FIG. 1

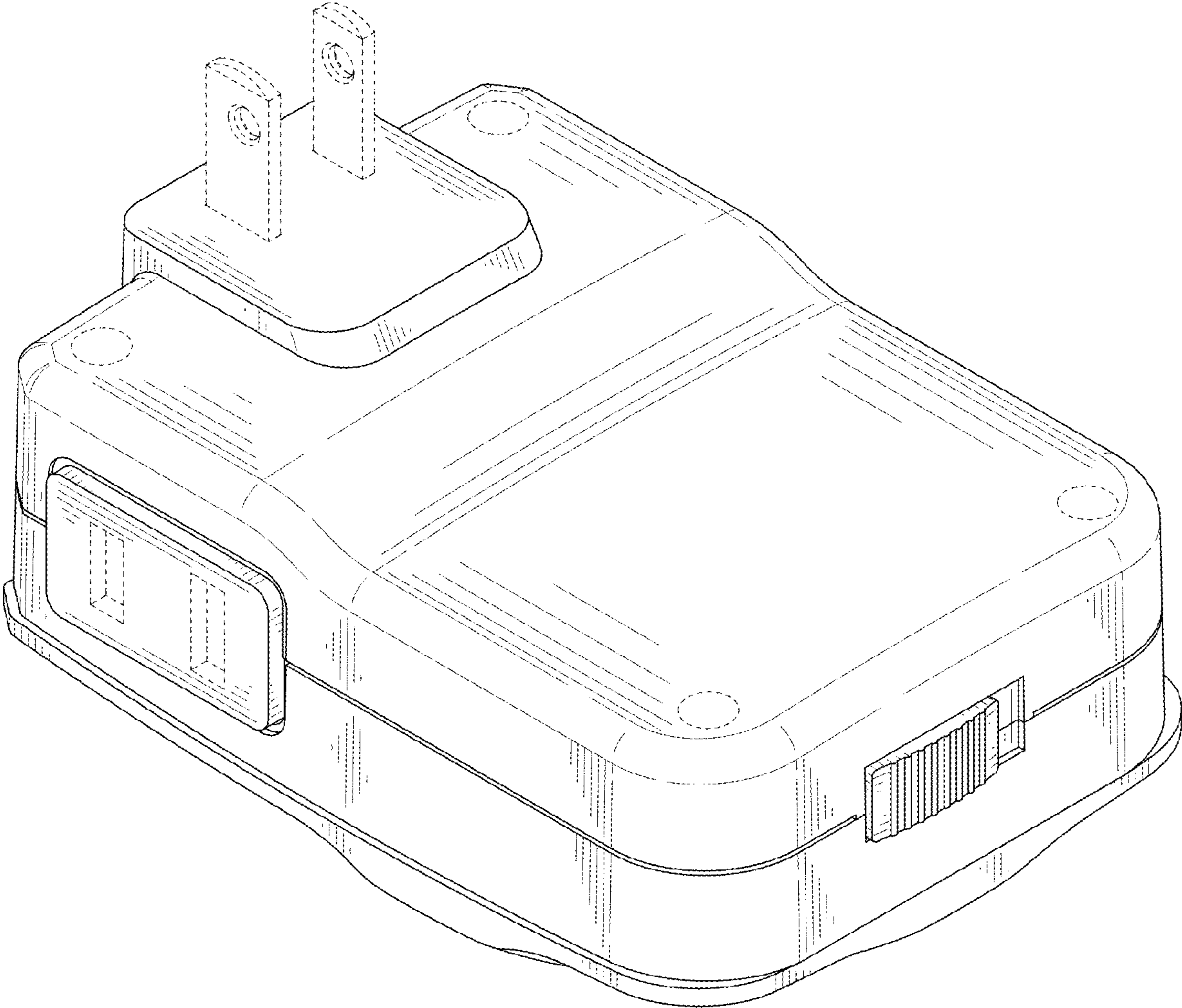


FIG. 2

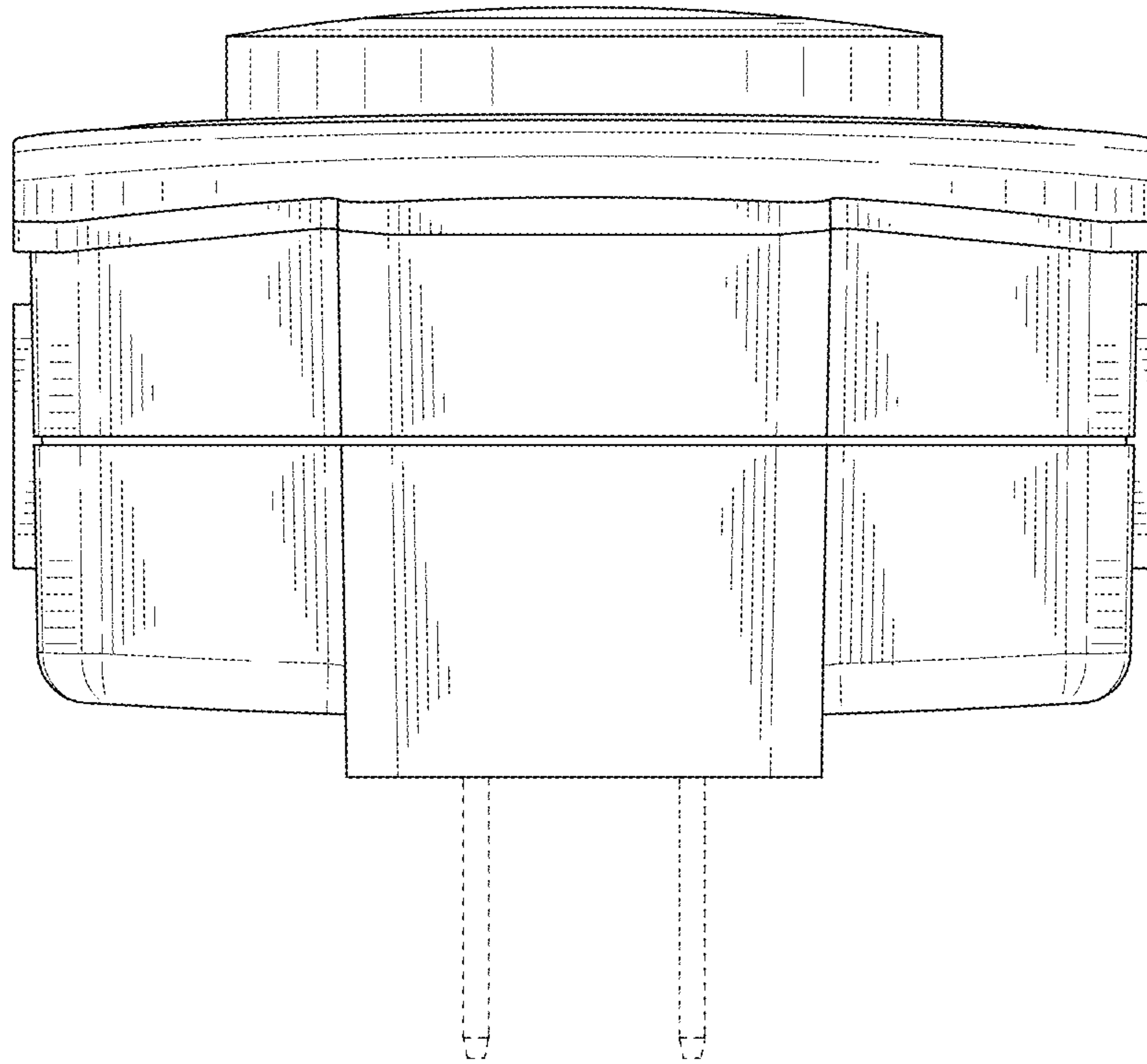


FIG. 3

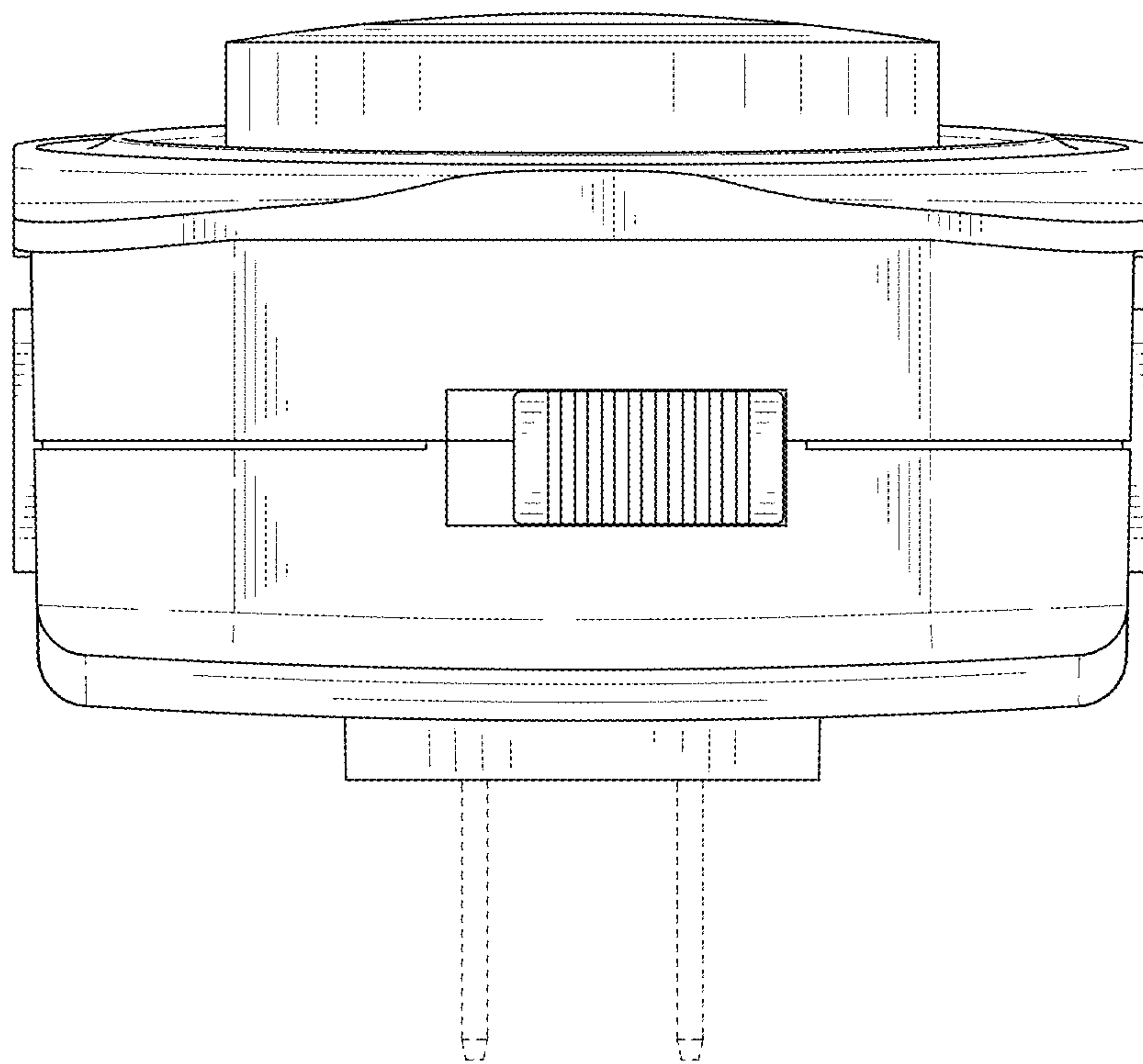


FIG. 4

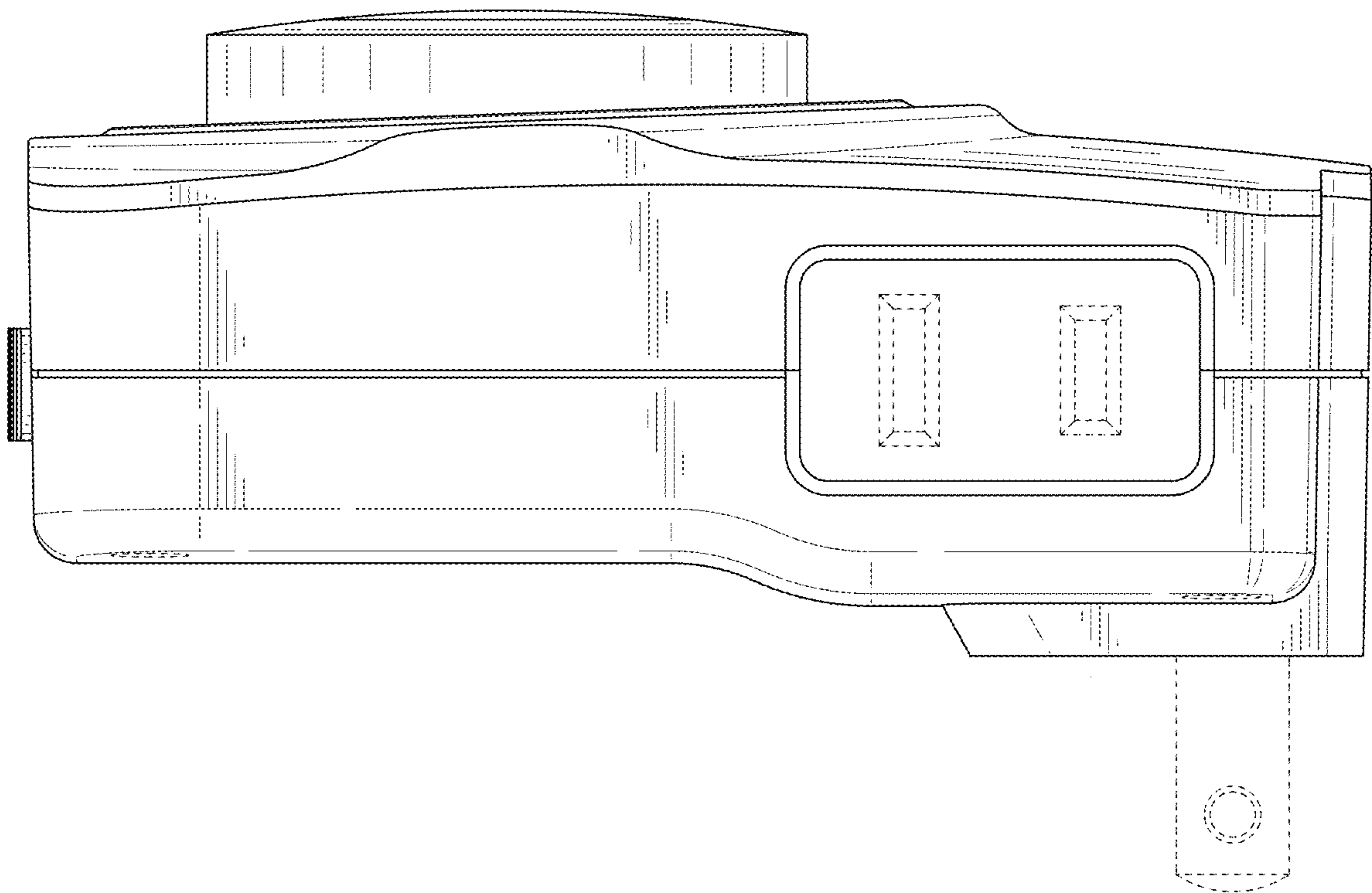


FIG. 5

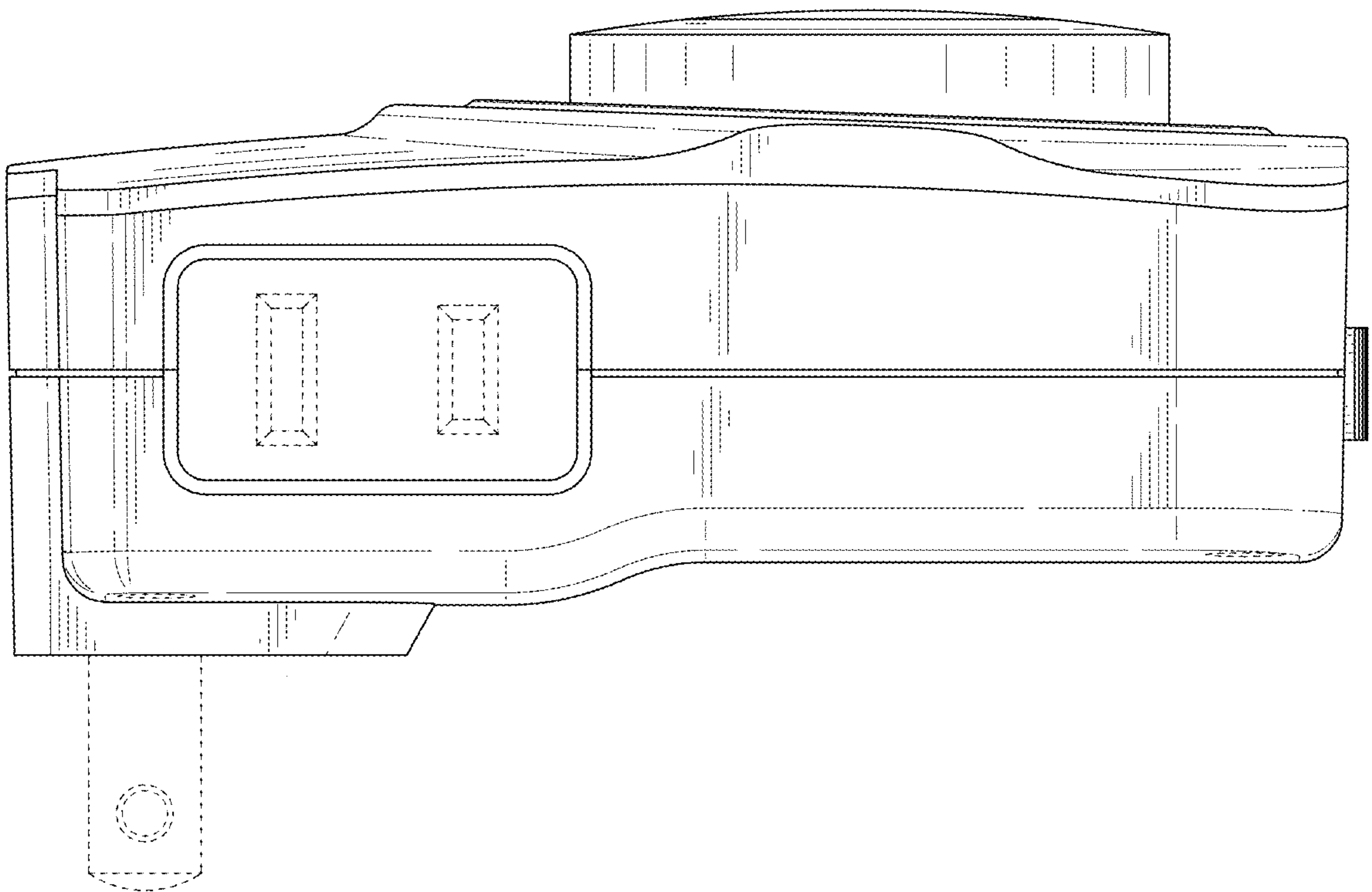


FIG. 6

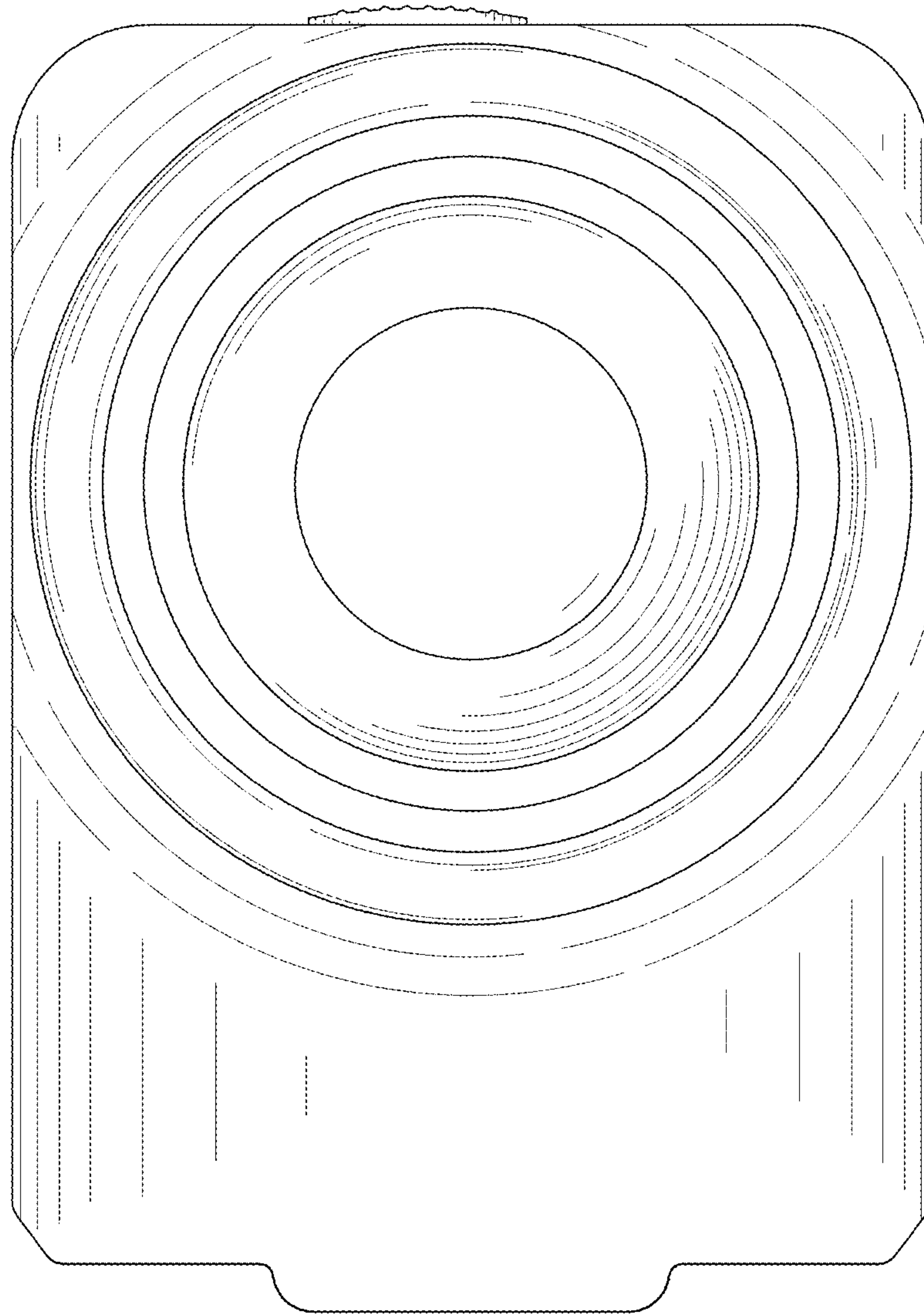


FIG. 7

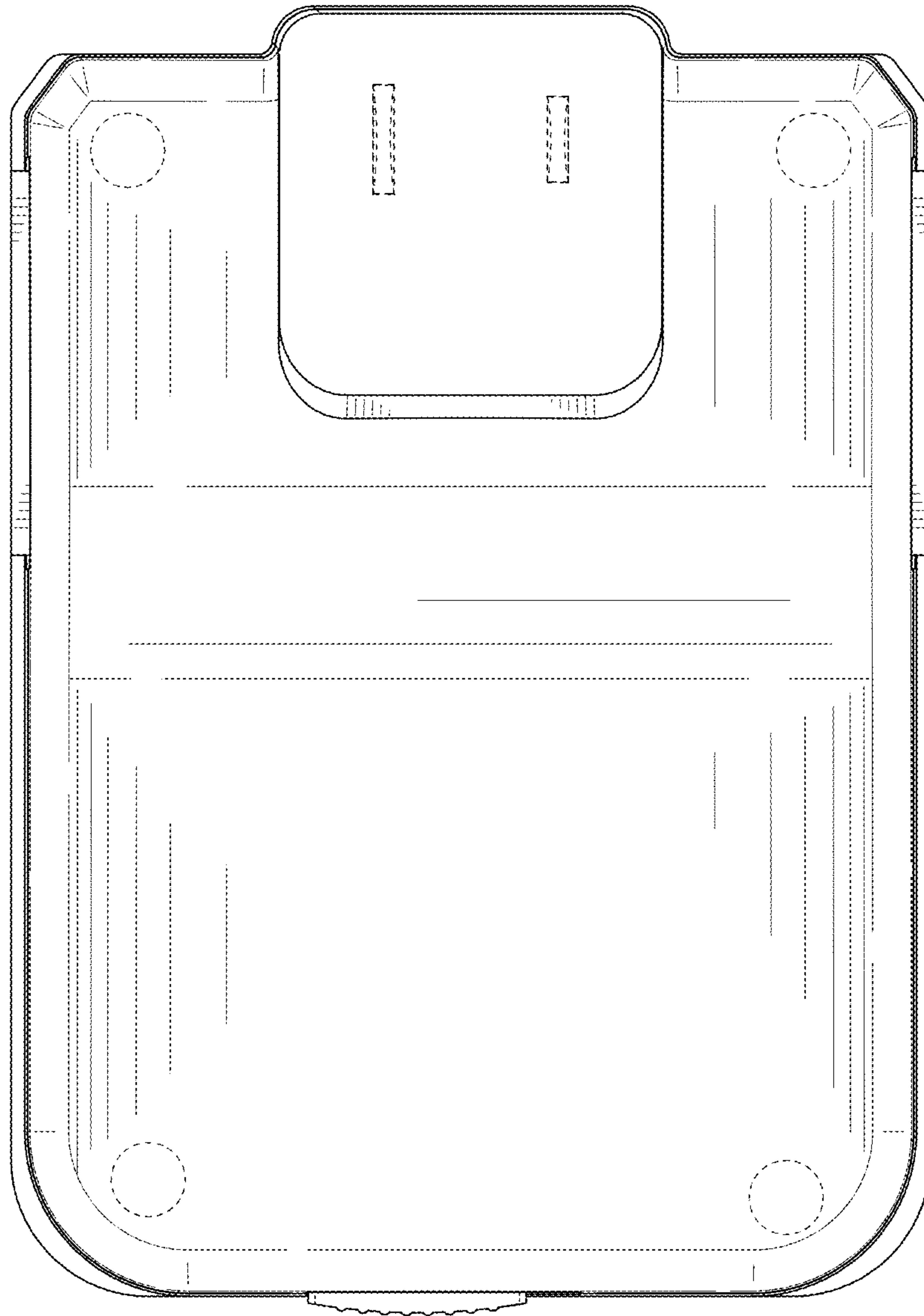


FIG. 8