



US00D926597S

(12) **United States Design Patent**
Tschumi

(10) **Patent No.:** **US D926,597 S**

(45) **Date of Patent:** **** Aug. 3, 2021**

(54) **WATCH**

(71) Applicant: **Harry Winston SA**, Plan-les-Ouates
(CH)

(72) Inventor: **Antoine Tschumi**, Plan-les-Ouates (CH)

(73) Assignee: **Harry Winston SA**, Plan-les-Ouates
(CH)

(**) Term: **15 Years**

(21) Appl. No.: **29/703,526**

(22) Filed: **Aug. 28, 2019**

(30) **Foreign Application Priority Data**

Mar. 4, 2019 (WO) DM/200691

(51) **LOC (13) Cl.** **10-02**

(52) **U.S. Cl.**
USPC **D10/38**

(58) **Field of Classification Search**
USPC D10/30, 31, 32, 33, 34, 35, 36, 37, 38,
D10/39, 122, 123, 124, 125, 126, 128
CPC G04B 37/00; G04B 37/0008; G04B 37/04;
G04B 37/18; G04B 37/22; G04B 37/10;
G04B 45/00; G04B 45/0076; G04B
45/0038; G04B 45/0061; G04B 19/00;
G04B 19/06

See application file for complete search history.

(56) **References Cited**

U.S. PATENT DOCUMENTS

D252,139 S * 6/1979 Chojna 116/334
D252,857 S * 9/1979 Perrin D10/39
D527,285 S * 8/2006 Burton D10/38

D528,439 S * 9/2006 Burton D10/32
D636,687 S * 4/2011 Morrison D10/39
D638,725 S * 5/2011 Morrison D10/39
D741,726 S * 10/2015 Akana D10/30
D747,979 S * 1/2016 Babcock D10/30
D760,717 S * 7/2016 Solomon D14/344
D775,126 S * 12/2016 Montero Odasso D14/344
D784,345 S * 4/2017 Kwon D14/439

FOREIGN PATENT DOCUMENTS

WO WO-D058999-004 * 2/2002

OTHER PUBLICATIONS

Amazon, Casio Collection Women's Watch, posted Feb. 1, 2013, [online], [visited Dec. 23, 2020]. Internet, <URL: <https://www.amazon.co.uk/Casio-Collection-Womens-Watch-LA670WEGL-1EF/dp/B00B5Q6E76/ref>> (Year: 2013).*

* cited by examiner

Primary Examiner — Sheryl Lane

Assistant Examiner — Samantha N Wood

(74) *Attorney, Agent, or Firm* — Blank Rome LLP

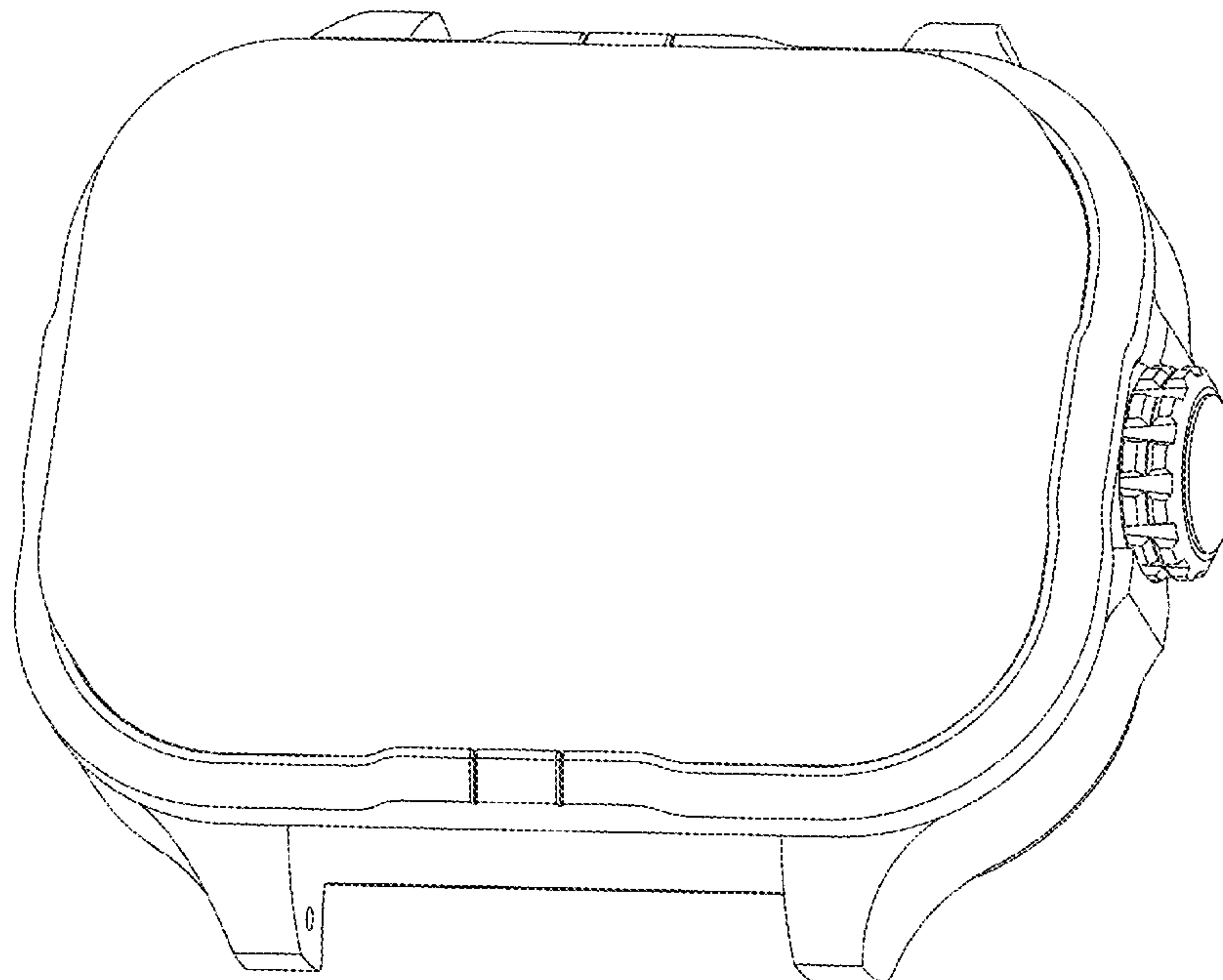
(57) **CLAIM**

The ornamental design for a watch, as shown and described.

DESCRIPTION

FIG. 1 is a front view of a watch of the present design;
FIG. 2 is a rear view thereof;
FIG. 3 is a right side view thereof;
FIG. 4 is a left side view thereof;
FIG. 5 is a top view thereof;
FIG. 6 is a bottom view thereof; and,
FIG. 7 is a front perspective view thereof; and,
FIG. 8 is a rear perspective view thereof.

1 Claim, 8 Drawing Sheets



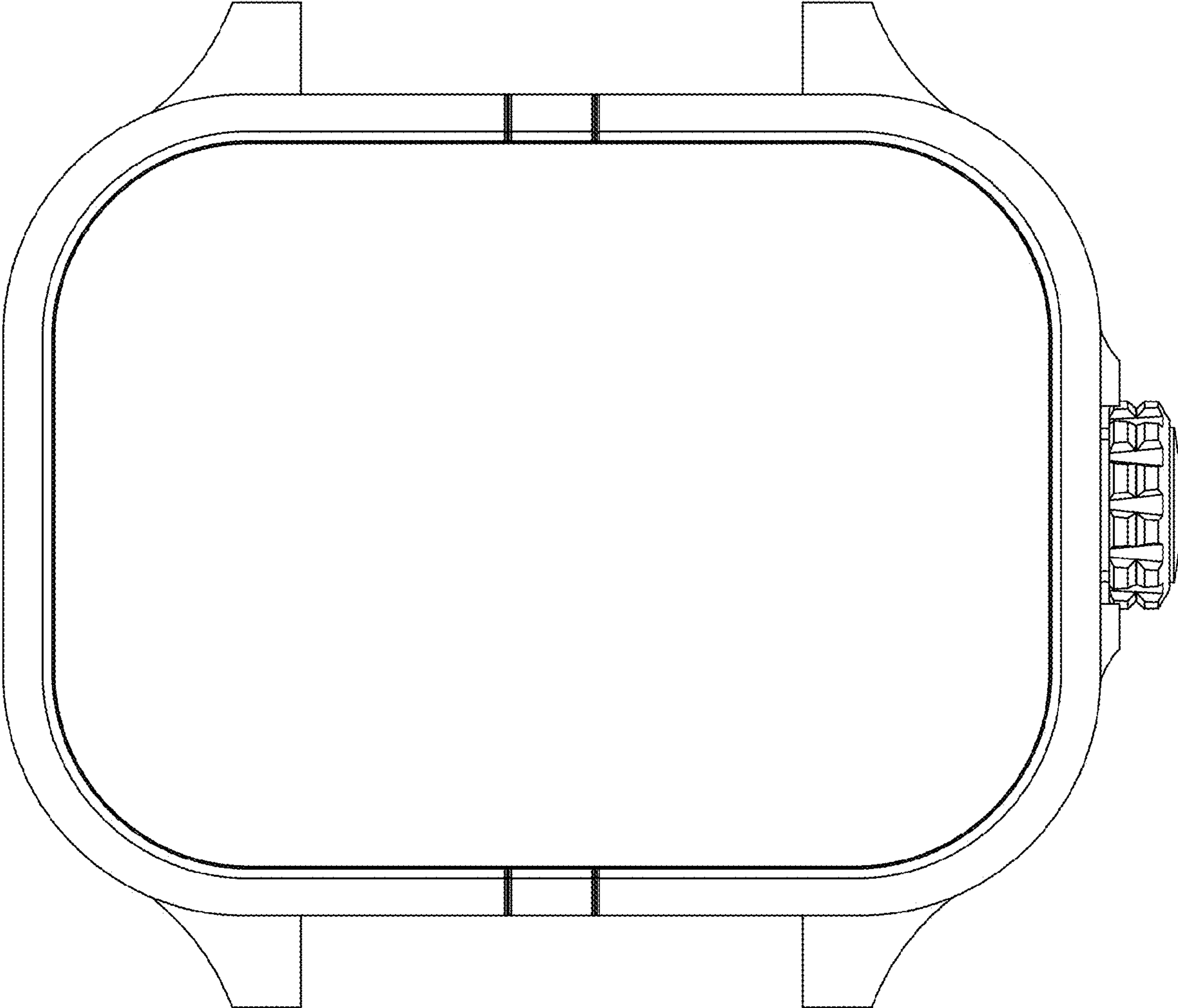


FIG. 1

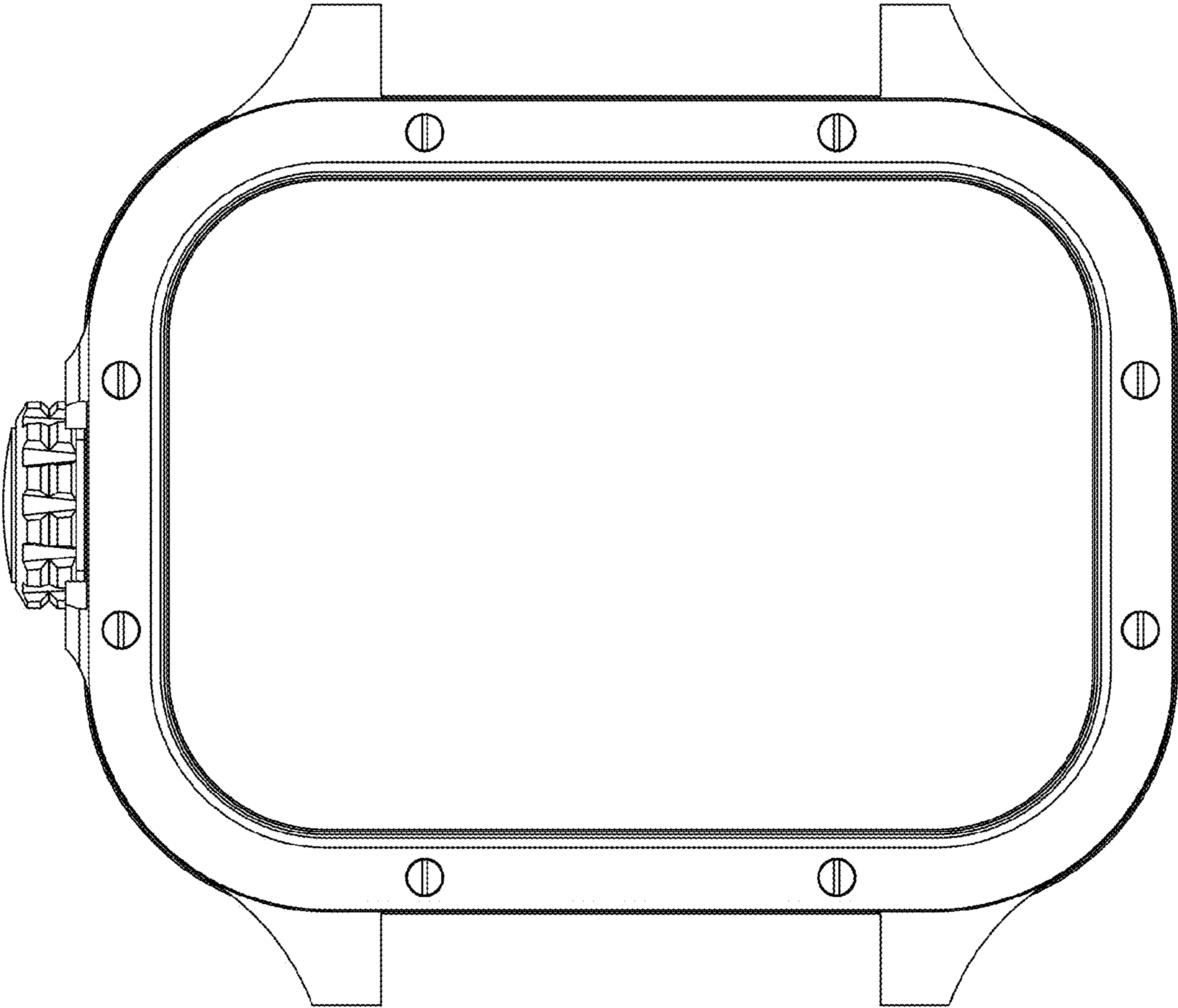


FIG. 2

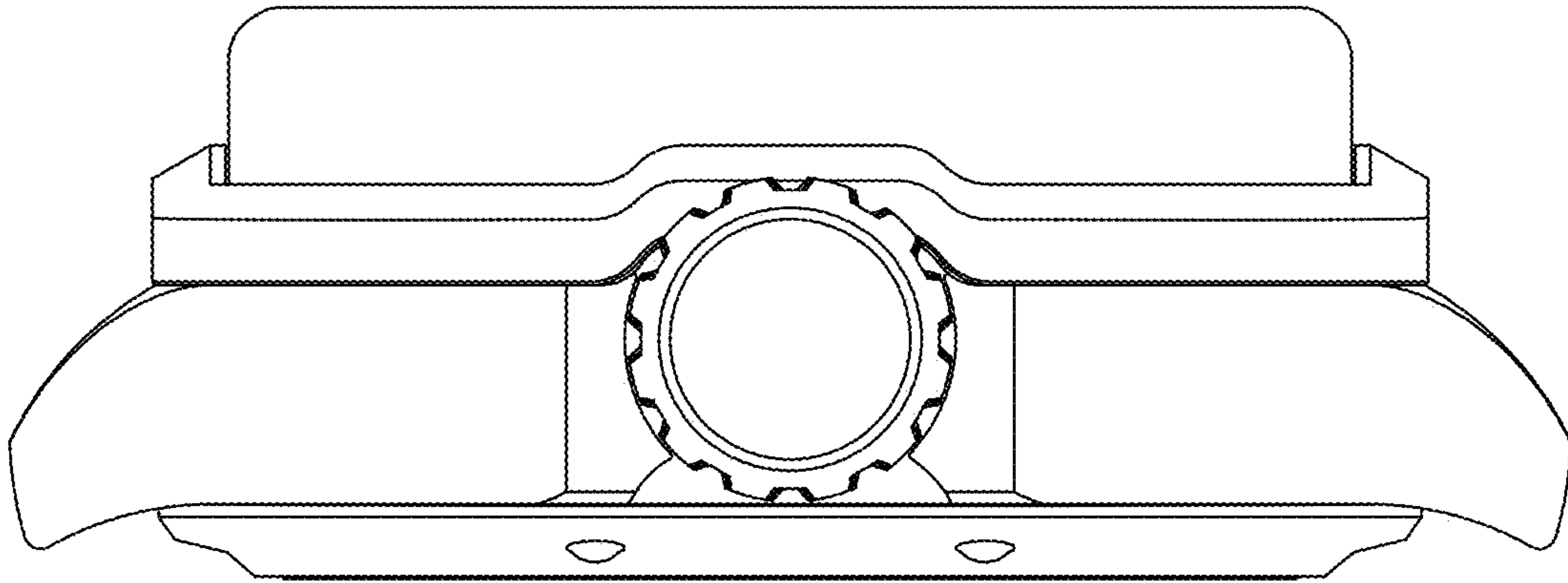


FIG. 3

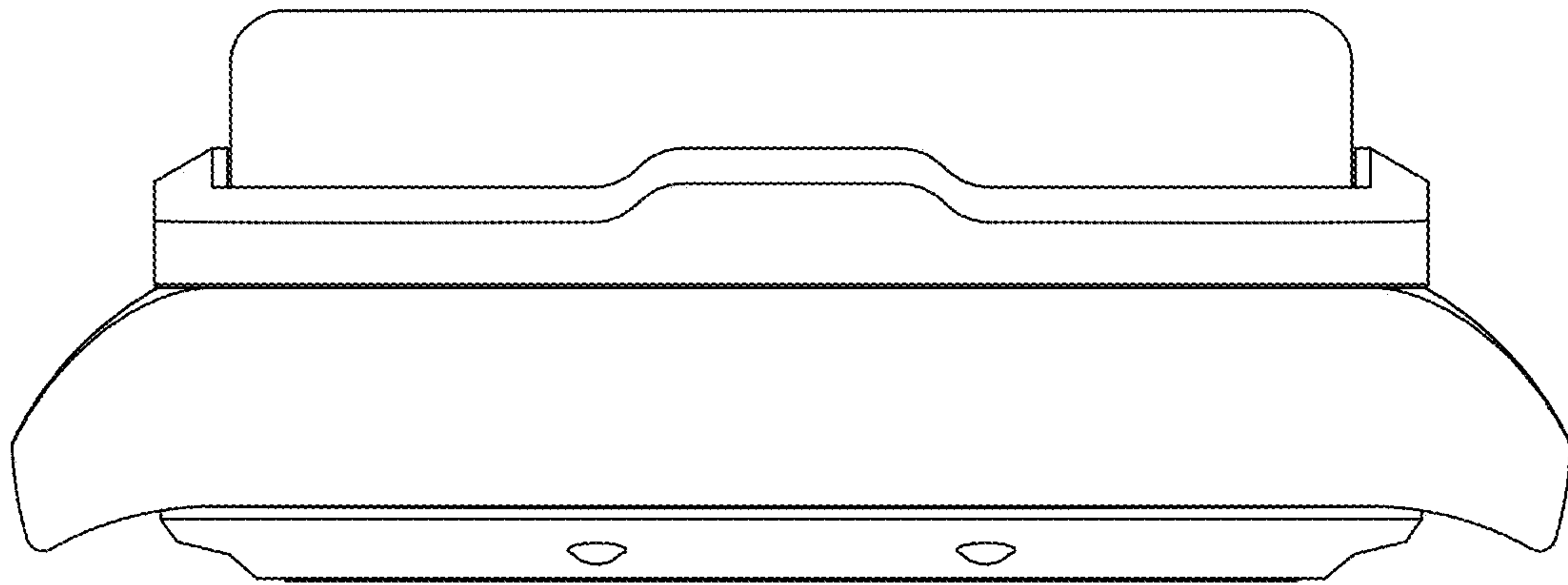


FIG. 4

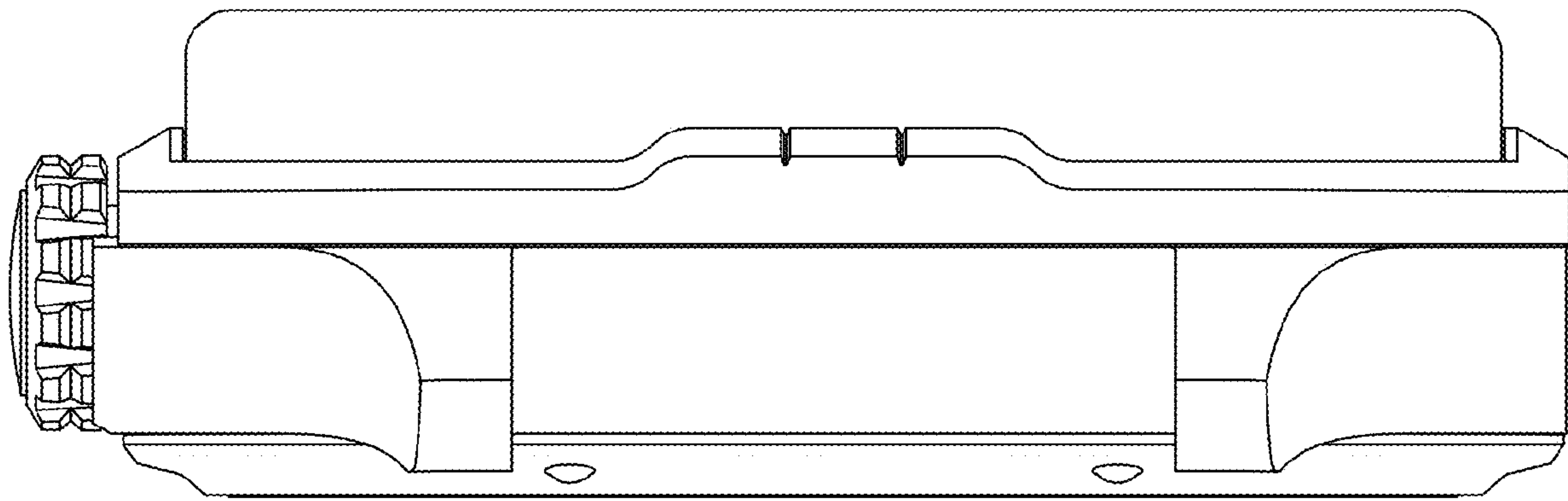


FIG. 5

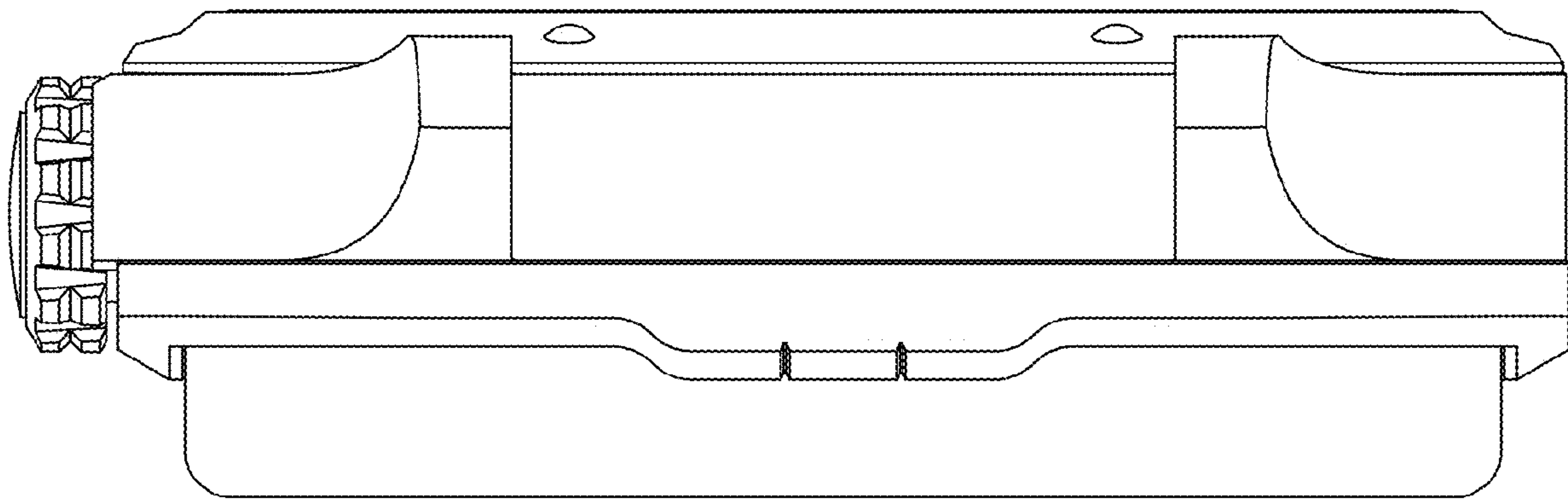


FIG. 6

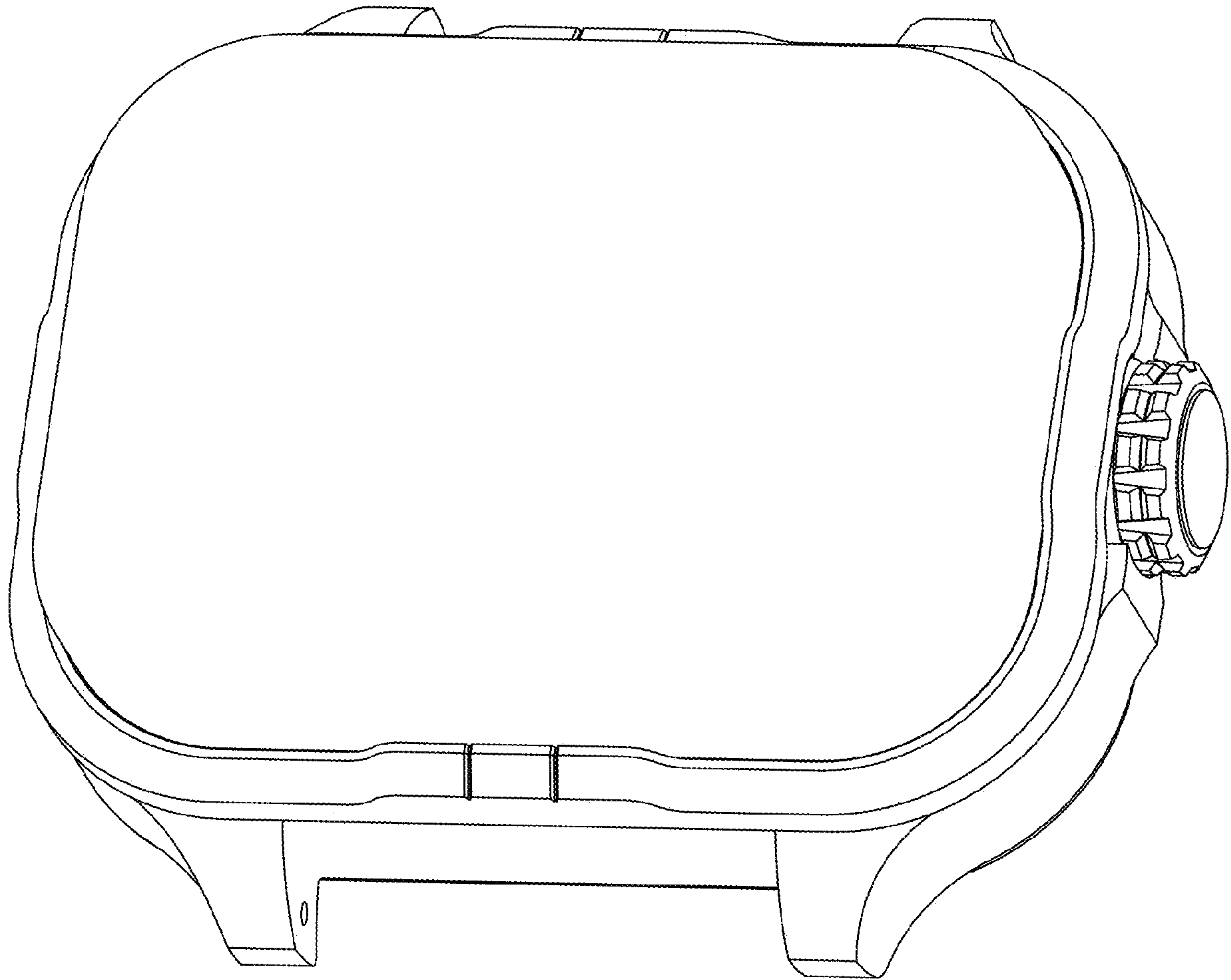


FIG. 7

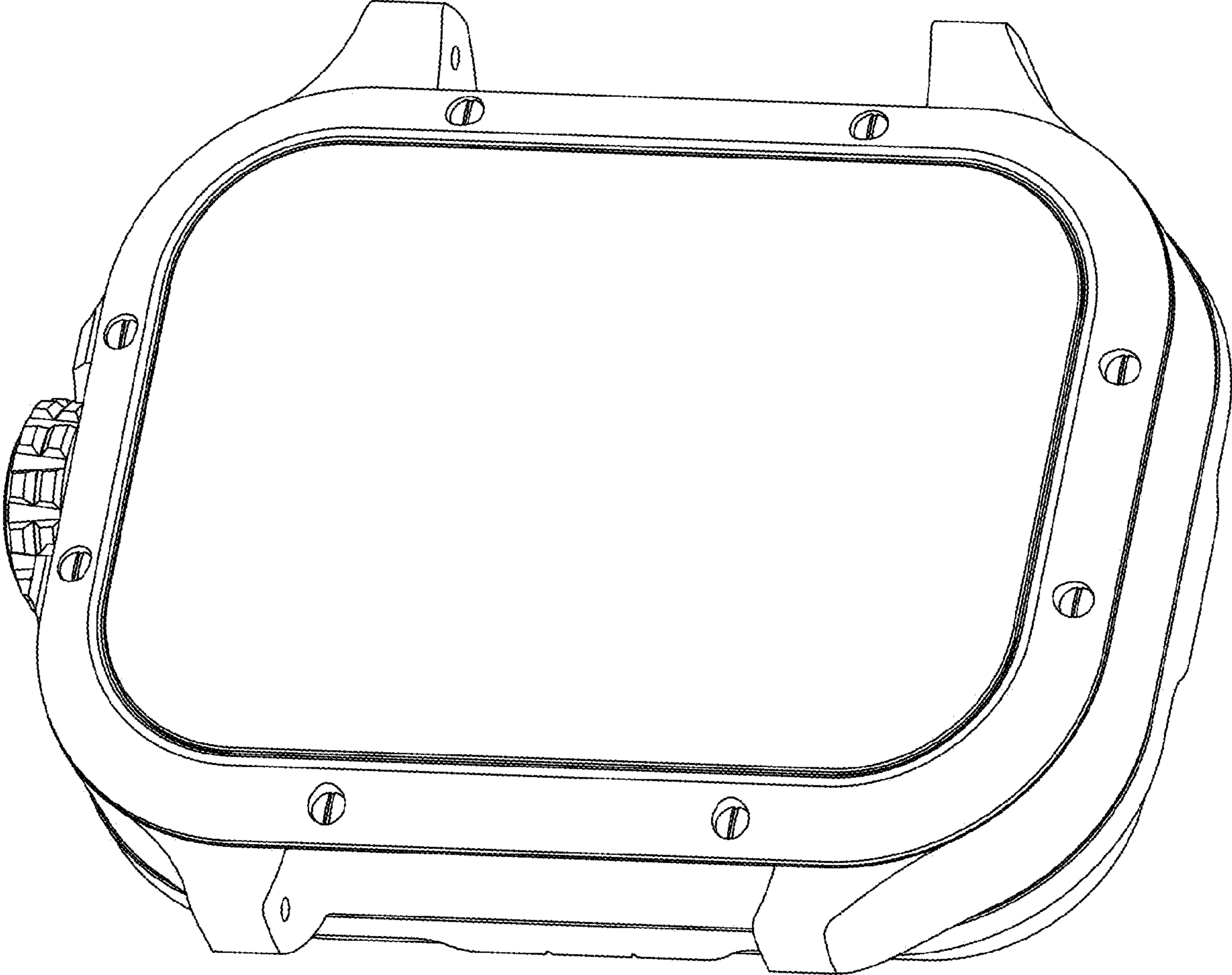


FIG. 8